

PACKAGING OF MATERIEL

PACKING

DISTRIBUTION RESTRICTION: Approved for public release; distribution is unlimited.

DEPARTMENTS OF THE ARMY, THE NAVY, THE AIR FORCE,
AND THE DEFENSE LOGISTICS AGENCY

*FM 38-701
MCO 4030.21D
NAVSUP PUB 503
AFPAM(I) 24-209
DLAI 4145.2
1 December 1999

**DEPARTMENTS OF THE ARMY,
NAVY, AND AIR FORCE, AND THE
DEFENSE LOGISTICS AGENCY**

PACKAGING OF MATERIEL

PACKING

CHAPTER	PAGE
INTRODUCTION	
PURPOSE	1
SCOPE	1
REFERENCES.....	8
CHAPTER 1 - PACKING	
GENERAL	1-1
SEQUENCE OF PACKING OPERATION	1-1
DETERMINATION OF PACKING REQUIREMENTS.....	1-3
ITEM CHARACTERISTICS	1-3
LOAD CHARACTERISTICS	1-7
MODES OF TRANSPORTATION	1-7
STORAGE CONSIDERATIONS.....	1-8
DESTINATION AND FIELD CONDITIONS.....	1-9
FUNCTIONS AND SELECTION OF SHIPPING CONTAINERS	1-9
ARRANGEMENT OF CONTENTS.....	1-9
BLOCKING AND BRACING	1-11
APPLICATION OF BLOCKING AND BRACING.....	1-12
STRAPPING REINFORCEMENT FOR CONTAINERS	1-33
CUSHIONING.....	1-35
PACKING PROBLEMS	1-51
PACKING SMALL, LIGHTWEIGHT ITEMS	1-53
CLEARANCE BETWEEN ITEM AND CONTAINER.....	1-54
WEATHERPROOFING THE PACK.....	1-55
TESTING OF PACKS	1-59
MARKING OF PACKS.....	1-68
ECONOMY IN PACKING	1-68
PARCEL POST REQUIREMENTS.....	1-72

*This field manual supersedes DLAM 4145.2, Vol II/TM 38-230-2/NAVSUP PUB 503, Vol II/AFP 71-16/MCO P4030.21C, Packaging of Materiel – Packing (Volume II), June 1977

DISTRIBUTION RESTRICTION: Approved for public release; distribution is unlimited.

CHAPTER 2 - FIBERBOARD AND PAPERBOARD CONTAINERS

FIBERBOARD BOXES.....2-1
 TRIPLE-WALL CORRUGATED FIBERBOARD BOXES (ASTM D 5168).....2-31

CHAPTER 3 - WOODEN CANTAINERS AND PALLETS

CONTAINER MATERIALS3-1
 NAILED AND LOCK-CORNER WOOD BOXES (PPP-B-621).....3-7
 NAILING REQUIREMENTS.....3-20
 CLEATED-PANEL BOXES (GENERAL).....3-30
 CLEATED PLYWOOD BOXES (PPP-B-601).....3-34
 BOXES,, WOOD-CLEATED PANELBOARD3-42
 WOOD-CLEATED, SKIDDED, LOAD-BEARING BASE BOXES (MIL-B-26195).....3-42
 WIREBOUND WOOD BOXES (PPP-B-585).....3-50
 CLASS 3 MILITARY OVERSEA.....3-53
 PALLETS (GENERAL).....3-59
 FOUR-WAY POST CONSTRUCTION PALLETS (MIL-P-15011).....3-62
 FOUR-WAY (PARTIAL) STRINGER CONSTRUCTION PALLETS (NN-P-71)3-62
 MAINTENANCE OF PALLETS3-62

CHAPTER 4 - BAGS AND SACKS

NEED FOR BAGS AND SACKS.....4-1
 BAGS DEFINED.....4-1
 SACKS DEFINED4-1
 SHIPPING BAGS AND SACKS.....4-1
 COTTON MAILING BAGS (A-A-2714)4-1
 PROCUREMENT.....4-3
 CUSHIONED PAPER SHIPPING SACKS (A-A-160, A-A-1588).....4-3
 A-A-160 (CUSHIONED WITH POST CONSUMER RECOVERED MATERIAL).....4-3
 A-A-1588 (CUSHIONED WITH CLOSED CELL PLASTIC FILM)4-5
 BURLAP SHIPPING BAGS (A-A-881)4-7

CHAPTER 5 - PAILS AND DRUMS

DESCRIPTION, CLASSIFICATIONS, AND SELECTION FACTORS5-1
 METAL SHIPPING AND STORAGE DRUMS (MIL-D-6054)5-3
 METAL DRUMS (STANDARD) (MISCELLANEOUS)5-9
 FIBER DRUMS.....5-12

CHAPTER 6 - CRATES

INTRODUCTION TO CRATES6-1
 CRATE MATERIALS.....6-18
 WOOD CREATES, OPEN AND COVERED, MIL-C-52950 (GENERAL).....6-29
 TYPE I, STYLE A --HEAVY DUTY CRATE (MIL-C-52950).....6-34
 TYPE I, STYLE B--LIGHT DUTY CRATE (MIL-C-52950).....6-35
 TYPE II, STYLE A--HEAVY DUTY CRATE (MIL-C-52950)6-37
 TYPE III, STYLE B--LIGHT DUTY CRATE (MIL-C-52950).....6-40
 TYPE IV, STYLE A--HEAVY DUTY CRATE (MIL-C-52950)6-43
 TYPE V, STYLE A--HEAVY DUTY (MIL-C-52950)6-43
 TYPE V, STYLE B--LIGHT DUTY CRATE (MIL-C-529502).....6-48
 ASSEMBLY INSTRUCTIONS (MIL-C-52950)6-58
 OPEN WOOD CRATES, MIL-C-3774 (GENERAL).....6-60
 OPEN BOLTED CRATES (MIL-C-3774)6-60
 OPEN NAILED CRATES (MIL-C-3774)6-72
 SHEATHED WOOD CRATES, MIL-C-104 (GENERAL)6-84
 ASSEMBLY (CLASS 1 CRATES)6-115
 CRATE, SLOTTED ANGLE, STEEL OR ALUMINUM (MIL-C-9897)6-141

**CHAPTER 7 - CONSOLIDATION AND UNITIZATION FOR SHIPMENT
AND USE OF CARGO CONTAINERS**

CONSOLIDATION AND UNITIZATION FOR SHIPMENT	7-1
PALLETIZING UNIT LOADS (MIL-HDBK-774)	7-2
SHRINK FILM AND STRETCH FILM PALLETIZATION	7-6
CONSOLIDATION CONTAINERS (GENERAL)	7-6
BOXES, SHIPPING INSERT CONSOLIDATION, MIL-B-43666 (GENERAL)	7-6
TYPE I, WOOD CLEATED PLYWOOD CONSOLIDATION INSERT BOX (MIL-B-43666)	7-8
TYPE II, PLYWOOD WIREBOUND CONSOLIDATION INSERT BOX (MIL-B-43666)	7-11
TYPE III, FIBERBOARD CONSOLIDATION INSERT BOX (MIL-B-43666)	7-11
PACKING CONSOLIDATION CONTAINER	7-13
PACKING SEMI-PERISHABLE SUBSISTENCE ITEMS	7-14
CARGO CONTAINERS (GENERAL)	7-16
USE OF MILVANS AND SEAVANS	7-18
SHIPMENT OF HAZARDOUS MATERIALS	7-21

INTRODUCTION

PURPOSE AND SCOPE

PURPOSE

This publication contains information on the fundamental principles and approved methods and techniques used in the protection of military supplies and equipment against deterioration and damage during shipment and storage. It is published as an official document for use in operations and in the training of military and civilian personnel from all segments of the Department of Defense (DOD) and supporting agencies, as well as for interested industrial personnel. It contains information based on specifications, standards, and other pertinent documents, current as of the date of preparation and coordination of the publication.

NOTE

For Air Force use, the publication is non-directive in nature.

SCOPE

This manual emphasizes the importance of packing of military supplies and equipment. It contains detailed information concerning the requirements to accomplish packing operations. The requirements include use of exterior shipping containers; the assembling of items or packs into the container; anchoring, blocking, bracing, and cushioning of items or packages within the container; weatherproofing; strapping of containers; the testing of exterior packs; palletization and unitization of loads; parcel post; and related subject matter. General exterior marking in accordance with MIL-STD-129 is discussed.

CHANGES AND PROVISIONS

Changes or revisions to this manual are due to major changes in packing concepts, policies and doctrine, and revision of specifications and other official publications, will be made on a continuing basis, as required. Information contained herein is current as of June 1996.

Users are encouraged to submit recommended changes or comments to improve this manual. Comments should be keyed to the specific page, paragraph, and line of the text in which the change is recommended. Reasons should be provided for each comment to insure understanding and complete evaluation. Comments should be prepared using DA Form 2028 (Recommended Changes to Publications and Blank Forms) or appropriate service form and forwarded direct to Dean, U.S. Army Ordnance School of Military Packaging Technology, ATTN: ATSL-MPT, 360 Lanyard Road, Aberdeen Proving Ground, MD 21005-5003.

OBJECTIVES OF MILITARY PACKAGING

The objectives for achieving uniform packing of items of military supply are to--

- Insure optimum life, utility and performance of materiel through prevention of deterioration or damage.
- Support the materiel readiness posture of DOD.

- Provide for efficient receipt, storage, inventory, transfer and issue of materiel.
- Assure that marking requirements are kept at the minimum necessary for effective identification, handling, shipment and storage.
- Effect economies by requiring the use of packs which yield lowest overall cost to the total DOD distribution system consistent with known or anticipated shipment handling and storage conditions. Considerations will include--
 - o Minimization of materials, methods of preservation, and documentation.
 - o Accomplishment with optimum amount of automated operations.
 - o Minimum weight and cube.
 - o Use of modular containers.
 - o Handling by unitized load configuration.
 - o Use of containerization.
 - o Exploitation of new materials, methods, and techniques.
 - o Disposability of packaging materials.

HAZARDS ENCOUNTERED IN TRANSPORTATION, HANDLING, AND STORAGE

Military supplies and equipment must be protected against pilferage and damage due to force and exposure, not only until they reach their ultimate destination, but until the items are placed into actual use or service. Force and exposure will reduce the useful lifespan of the item or cause the item to be damaged beyond repair. The objective of packing is to extend the lifespan of the item so that depreciation starts, not when it leaves the manufacturing plant, but when it is placed into service.

Force

Damage may result from hazardous forces encountered in transportation, handling, and storage (figure 1). Transportation hazards involve forces encountered through rail, truck, boat, or air shipments. The damage caused can result from abrupt starts, stops, vibration, and jolting.

Handling hazards involve those damaging forces received through loading, unloading, and handling during storage operations. Examples of handling where damage often occurs are--

- Manual handling--dropping and puncture.
- Forklift truck handling--dropping and puncture.
- Cargo nets--dropping, crushing, and wracking.
- Grab hooks--crushing and puncture.
- Slings--crushing, dropping, and wracking.
- Conveyers--jarring, smashing, and dropping.

Storage hazards involve those forces resulting from the crushing effect of superimposed loads through stacking.

Exposure

Exposure to the different climatic conditions and weather hazards, such as high humidity, rain, salt spray, extreme cold, dry intense heat, and the cycling of these weather conditions, will tend to accelerate the breakdown or deterioration of unprotected items.

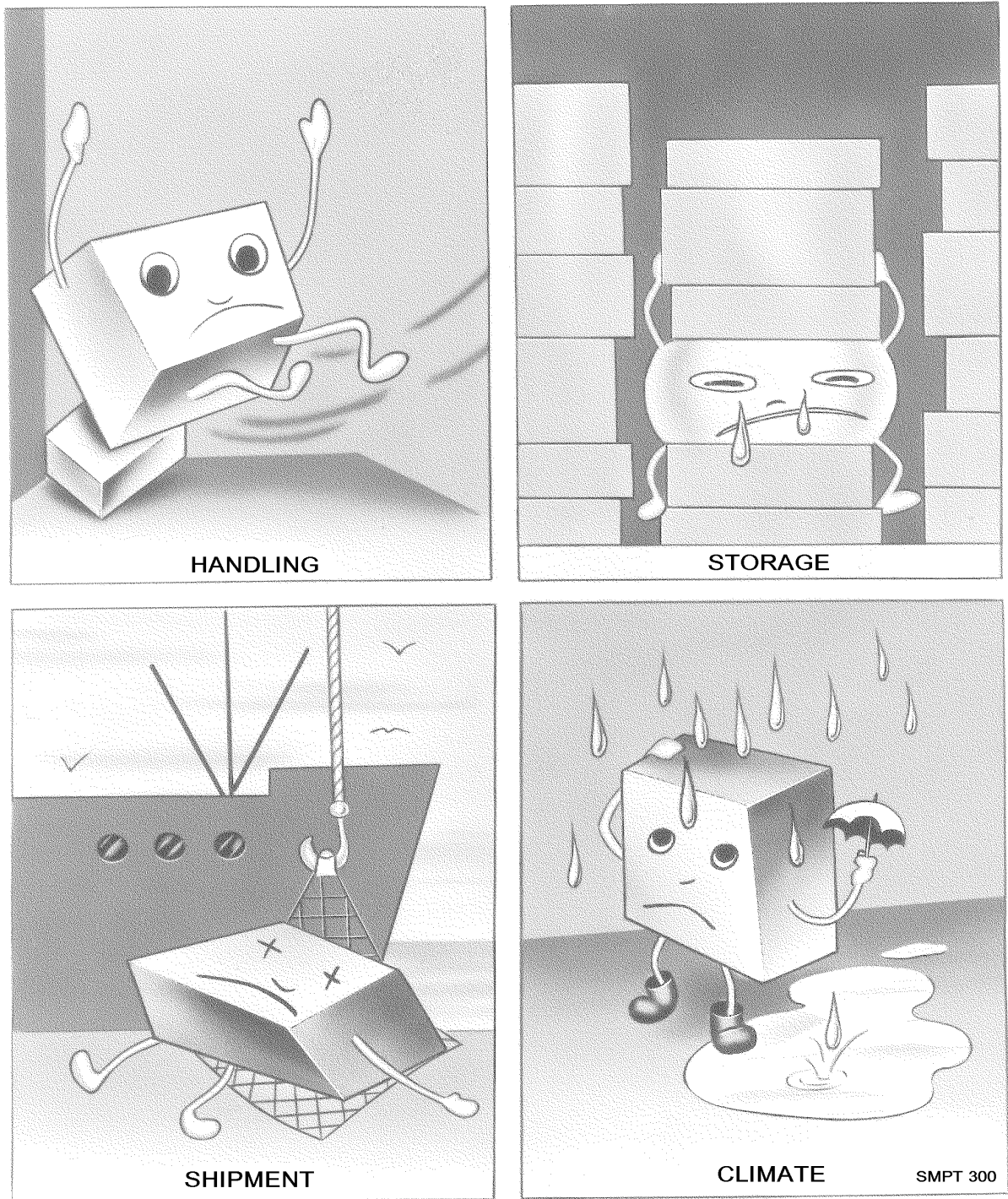


Figure 1. Hazardous forces encountered in transportation handling, and storage.

Pilferage

Theft of military supplies and equipment while in transit or storage is a significant problem for the military. Small items of high value are especially vulnerable to pilferage and should be protected as much as possible through packing techniques.

Countermeasures To Hazards Of Pack

Items which are packed properly will resist the damaging effects of force and exposure. Force is counteracted by--

- Using rigid shipping containers.
- Immobilizing the item within the container through anchoring, blocking, and bracing.
- Damping forces through the use of cushioning materials and devices.
- Reinforcing shipping containers with metal and nonmetallic strapping or reinforcement tape as appropriate.

Exposure is counteracted by the use of--

- Weather-resistant shipping containers.
- Waterproof barrier materials in various applications.

NECESSITY FOR A PACKAGING POLICY

To attain economy, efficiency, and uniformity in packing, and to provide a uniform procedure in connection with procurement, the services and agencies of the Department of Defense must have a common packing policy. This is provided by the Department of Defense (DOD) 4140.1-R, Materiel Management Regulation.

MILITARY REGULATIONS

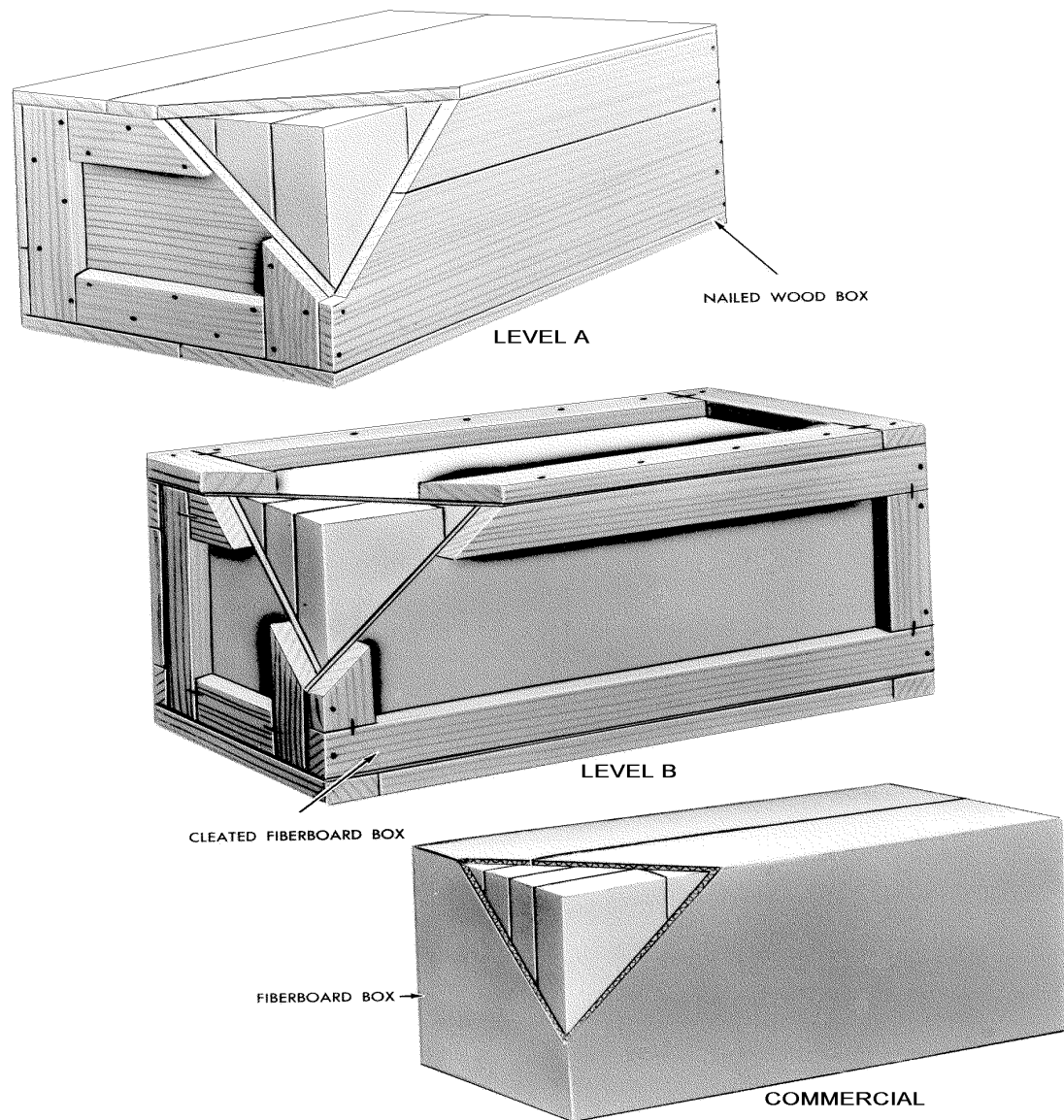
The Joint Regulation AR 700-15/NAVSUPINST 4030.28C/AFJMAN 24-204/MCO 4030.33D/DLAD4145.7, applies to all Department of Defense components (Army, Air Force, Navy, Marine Corps, and the Defense Logistics Agency) responsible for packaging an item throughout its life cycle.

This regulation on the packaging of materiel implements DOD 4140. 1-R and covers packaging requirements, American Society for Testing and Materials Standards (ASTM) specifications, levels of protection along with policies and procedures for Performance Oriented Packaging (POP) and the protection of electrostatic discharge sensitive items.

MILITARY PACKAGING LEVELS OF PROTECTION

Concept of Military Levels of Protection

In regard to requirements for packing, the military services for many years relied heavily on the terms "domestic" and "overseas". Experience proved that for military purposes, these words were vague generalities with no clear-cut meaning to them. Suppliers were often perplexed when confronted with overseas requirements for items destined for domestic installations. It was not apparent to them that the domestic destinations were merely initial receiving points for projected overseas shipments, or that storage and handling conditions were severe enough to justify an overseas type of packing regardless of destination. To permit the military services to state their requirements more objectively, the concept of levels of protection was adopted. As defined in MIL-STD-2073-1C, levels of protection are a means of specifying the level of military preservation and packing that a given item requires to assure that it is not degraded during shipment and storage (see figure 2). Specific levels of protection are as follows:



SMPT 406D

Figure 2. Examples of protection.

- **Military level of preservation.** Preservation designed to protect an item during shipment, handling, indeterminate storage, and distribution to consignees worldwide.
- **Military levels of packing.**
 - o **Level A.** Protection required to meet the most severe worldwide shipment, handling, and storage conditions. Level A pack must, in tandem with the applied preservation, be capable of protecting material from the effects of direct exposure to extremes of climate, terrain, operational and transportation environments. Examples of situations which indicate a need for use of a Level A pack are: War Reserve Material, mobilization, strategic and theater deployment and employment, open storage, and deck loading. Examples of containers used for Level A packing

requirements include, but are not limited to, overseas type wood boxes and plastic and metal reusable containers.

- o **Level B.** Protection required to meet moderate worldwide shipment, handling, and storage conditions. Level B pack must, in tandem with the applied preservation, be capable of protecting material not directly exposed to extremes of climate, terrain, and operational transportation environments. Examples of situations which indicate a need for use of a Level B pack are: security assistance (e.g., Foreign Military Sales (FMS)) and containerized overseas shipments. Examples of containers used for Level B packing requirements include, but are not limited to, domestic wood crates, weather-resistant fiberboard containers, fast pack containers, weather-resistant fiber drums, and weather-resistant paper and multi-wall shipping sacks.

Commercial Packaging. Commercial packaging is defined as the materials and methods used by the supplier to meet the requirements of the distribution systems serving both DOD and commercial consumers. The requirements of MIL-STD-2073-1C shall only be applied to the packaging of items that are expected to enter the military distribution system. Commercial packaging is to be used to the maximum extent possible for all other items. Items not going into stock shall be packaged in accordance with ASTM D 3951, Standard Practice for Commercial Packaging.

Commercial packaging will be acceptable for any level of protection when the technical design of the package meets all conditions of the level of protection specified. It will be marked to the level it meets. Use of commercial packaging is contingent upon no increase in packaging changes, size, weight, or delay in delivery.

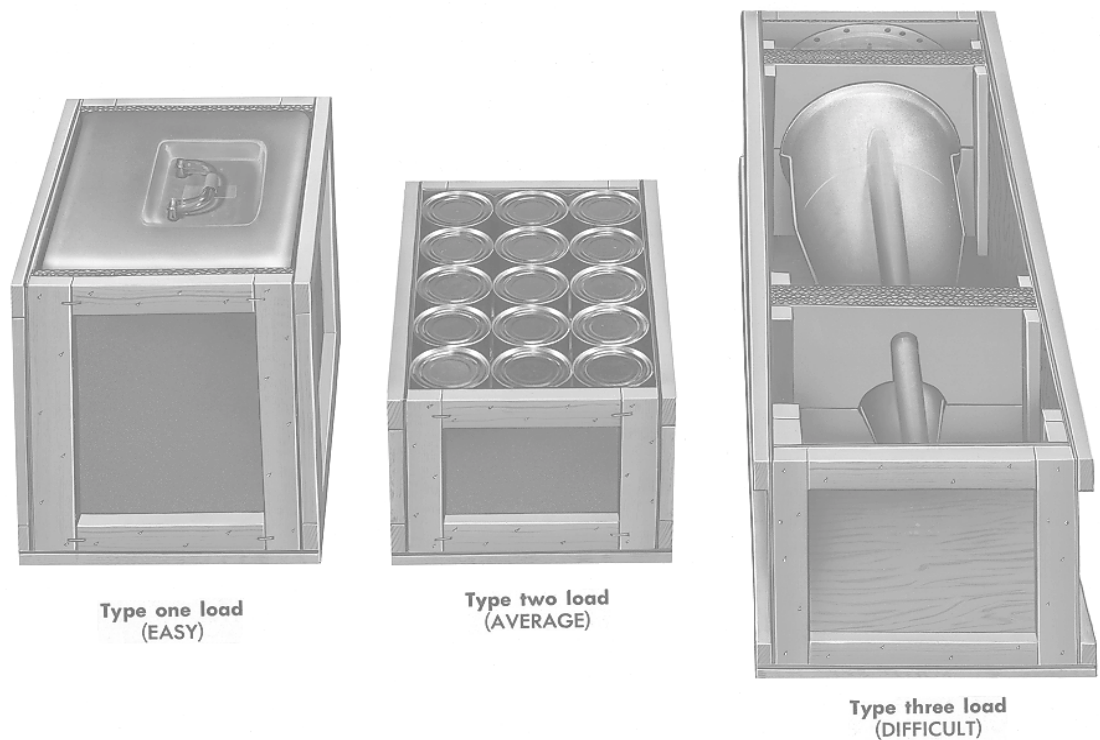
Bulk practices used in interplant and intraplant movements or shipments to jobbers are not acceptable unless they are the usual trade practices for individual commodities such as coal, textiles, petroleum, and subsistence.

The packaging details will be incorporated into standardization and acquisition documents when applicable.

NATO STANAG 4280, LEVELS OF REQUIREMENTS FOR PACKAGING

Participating nations agree to adopt the NATO levels of requirements - defined in this STANAG as the basis for negotiation for the procurement of packaged materiel between nations. In defining levels of requirements it is necessary to take into account: The characteristics of the environment and constraints imposed by the environment; the technical considerations to define package tests; the four levels of packaging used in NATO; and, it also shows comparison of these NATO levels against the nearest national packaging requirement.

Type of Load. The term "type of load" refers to the physical characteristics of the item, including the nature of the item as it contributes to the support of, or damage to the container. The same kind of container can be designed to provide adequate protection to various items by adjusting the constructional requirements. This may result in a light, medium, or heavyduty container, as necessary. The design of the shipping container to be used is influenced by the type of load. There are three types of loads: Type 1, Type 2 and Type 3. The types of loads will be mentioned under the various shipping containers and in section I (figure 3).



SMPT 407

Figure 3. Types of loads

Type 1 - easy load. The load is a single item or single interior container which provides complete and uniform support to all faces of the shipping container. Bulk practices used in interplant and intraplant movements or shipments to jobbers are not acceptable unless they are the usual trade practices for individual commodities such as coal, textiles, petroleum, and subsistence.

Type 2 - average load. The load is composed of more than one item or interior container which give some support to all faces of the shipping container. The contents are of moderate density and relatively sturdy. Some examples are goods in metal cans which are not packed in an interior container, bottles individually cushioned, and hardware in cartons.

Type 3 - Difficult load. The load gives little or no support to the shipping container. The contents can be extremely heavy, very fragile, very irregular in shape, bulk materials which are free to shift, and flow, or a combination of several of these factors. Some examples are rivets, bolts, and nuts, delicate instruments and machined parts and assemblies.

ECONOMY IN PACKING

The military concept of economy in packing is to obtain maximum output of adequately protected items at a minimum cost. Economy measures, consistent, with the degree of protection required by an item or package should be of prime concern to individuals engaged in the establishment of packing requirements, and to personnel in charge of, or performing packing

operations. Significant savings can be accomplished by reducing the tare weight, cubage, and packing cost of a commodity through proper reengineering of the unit and exterior containers, use of newly developed materials, and employment of alternate methods and techniques.

REFERENCES

Throughout this manual, packing materials, equipment, processes, methods, etc., are referred to by their common names together with the appropriate specification, standard, or other publication symbols. Copies of specifications and other documents required by activities of the Defense Logistics Agency, the Department of the Army, Navy, and Air Force, and the Marine Corps are obtained from supply sources through established channels. Copies of specifications, standards, and drawings required by contractors connection with specific procurement functions should be obtained from the procuring activity or as directed by the contracting officer. Military and Federal Specifications and Standards are available from: Standardization Document Order Desk, 700 Robbins Avenue, Building #4, Section D, Philadelphia PA 19111-5094. Information pamphlet titled "A Guide for the Private Industry" provides more detailed information and is available upon request.

CHAPTER 1

PACKING

GENERAL

PACKING OF GENERAL SUPPLIES

Some commodity items require preservation by procedures and materials described in FM 38-700/MCO P4030.31D/NAVSUP PUB 502/AFJPAM 24-237/DLAI 4145.14, Packaging of Materiel – Preservation, which provide unit containers suitable for shipment without further packing. Other items may require further packing in containers suitable for shipment. This chapter relates to the packing of commodity items directly in shipping containers with whatever protection is required to prevent damage in shipment, handling and storage. The container alone cannot always provide full protection for military items. Items must be properly anchored, braced, blocked, or cushioned in the container to provide adequate protection. A container is often blamed for damage to its contents when the cushioning, blocking, or bracing are at fault (fig. 1-1). Every packing operation, including the final closure, strapping, and marking of the container, must be carefully planned and executed to ensure that the contents will arrive at its destination in a usable condition.

PACKAGING OF HAZARDOUS ARTICLES

Commodities classified as hazardous materials come within the scope of TITLE 49 Code of Federal Regulations which incorporates Department of Transportation Regulation for the Transportation of Explosives and other Hazardous Articles by all modes. International Shipments must be packaged in accordance with the International Air Transport Associations Dangerous Goods Regulation (IATA) and the International Maritime Organization Dangerous Goods Code (IMDG) codes. In addition, hazardous materials which are to be shipped via military aircraft must be packaged in accordance with the joint service manual AFJMAN 24-204/TM 38-250/NAVSUP PUB 505/MCO P4030.19/DLAM 4145.3, Preparing Hazardous Materials for Military Air Shipments.

SEQUENCE OF PACKING OPERATION

The general sequence of military packing is divided into a series of basic operations which may include some or all of the following steps, not necessarily in the order given below:

Determine the Packing Requirements

Knowing the item characteristics helps to determine the protection required and the best way to provide it through the use of an adequate container, suitable blocks, braces, and cushions, and appropriate barrier materials. This study will include consideration of the characteristics of the item, its size, shape, fragility, etc.; the types of loads (easy, average or difficult); the mode of transportation (rail, ship, truck, or aircraft); the storage facilities (covered or uncovered); the destination (domestic or overseas in the arctic, temperate, or tropic zones); and the levels of protection required.

Select the Container

Select and use an exterior container that will comply with the requirements outlined in applicable chapters of this manual. This selection should consider all factors pertinent to giving adequate protection at the minimum cost such as the characteristics and limitations of the container; its initial cost and upkeep expenses; its weight and cube; its availability or obtainability in appropriate quantities; and its reusability.

Prepare protective barriers

Prepare an appropriate barrier to give weatherproofing protection not obtainable from the container alone.

Insert and Secure the Item to the Container

Insert the item and secure it to the container to control or prevent movement by means of adequate cushioning, blocking, and bracing. The distinction between cushioning and blocking is that cushioning permits controlled movement of the item within the container, while blocking and bracing usually is designed to prevent movement of the item within the container.

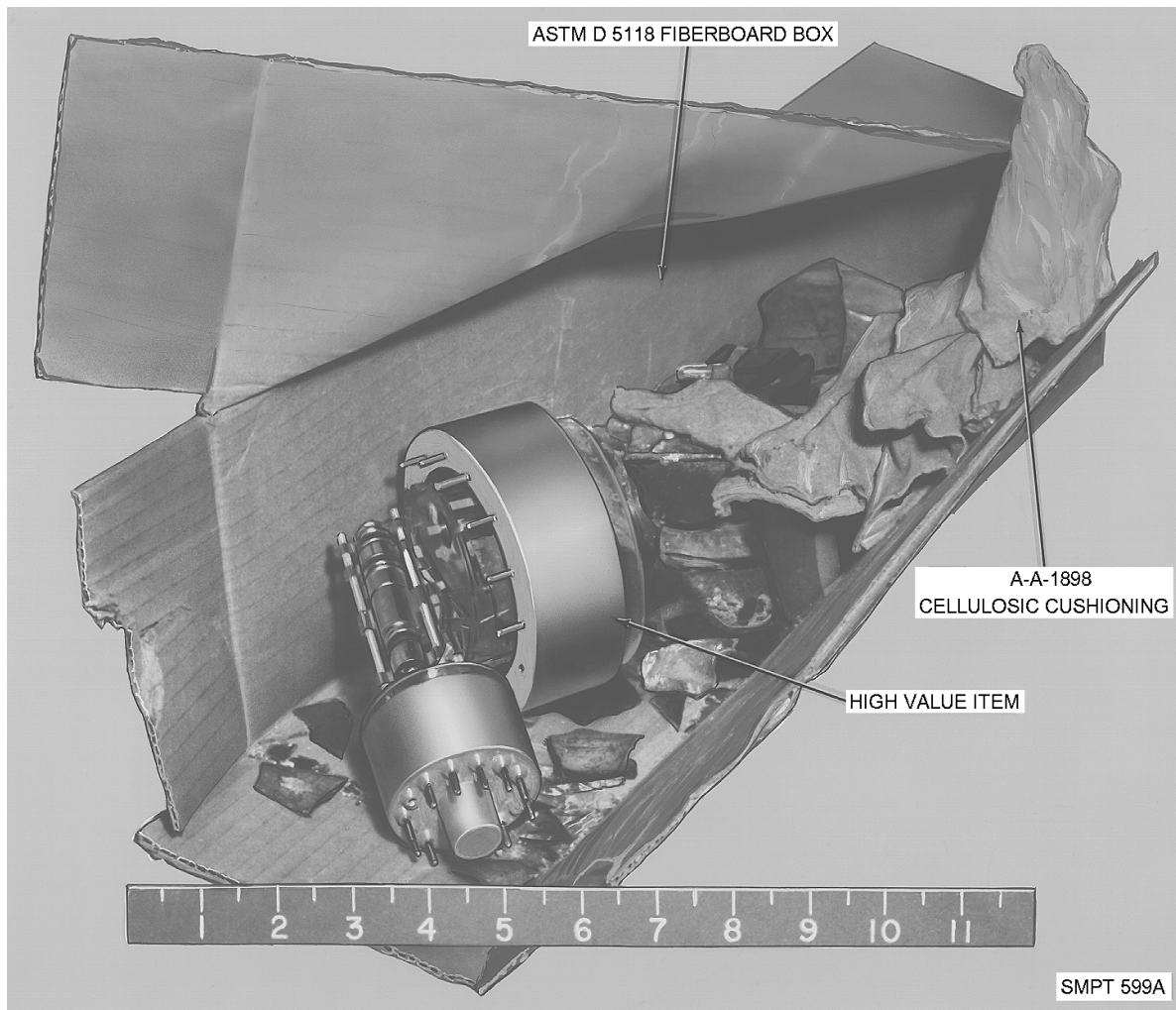


Figure 1-1. Damaged items as a result of improper/inadequate packing.

Seal the Barrier if Used

Seal the barrier material by means of adhesives, heat seals, pressure seals, or sealing tape to provide weatherproofness of the seams, joints, and closures equal to that of the barrier material itself.

Close the Container

Close the container following the detailed requirements outlined in the section of this manual which describes the container selected.

Reinforce the Container. Reinforce the container with metal or plastic strapping or reinforced tape as appropriate and as required for the container selected.

Mark the Shipping Container. Mark the container as appropriate to identify the contents and to ensure movement to its destination.

DETERMINATION OF PACKING REQUIREMENTS

The different types of items procured by the Department of Defense require a wide variety of packing operations. Items vary from strong, rugged ones that fit the container well and require no cushioning, blocking or bracing, to others that are irregular in shape, delicate, or fragile, and require special cushioning, blocking or bracing.

BASIC FACTORS

To determine packing requirements, several basic factors must be considered, namely, the item characteristics, the load characteristics, the mode of transportation, the storage and handling facilities, the destination and field conditions.

BASIC REFERENCE

The basic reference for blocking, bracing, and cushioning is MIL-STD-1186, Cushioning, Anchoring, Bracing, Blocking, and Waterproofing, with Appropriate Test Methods. This standard, approved by the Department of Defense and mandatory for use by the Armed Forces, provides general requirements and procedures concerning the arrangement of the contents within the shipping container for the prevention of physical damage.

SCOPE OF MIL-STD-1186

The standard covers common packing requirements which may be omitted from detail specifications for items or categories of items when this standard is referenced in the detail specification. It does not contain requirements for shipping containers, themselves or for unit packing, both of which also provide physical protection.

ITEM CHARACTERISTICS

The first step in any packaging operation is a careful study of the item to be packed. It is necessary to consider the shape, size, weight, strength, and degree of fragility of the item in all directions. The availability of mounting provisions, the degree of disassembly permissible for shipment, corrosion prevention requirements and special use requirements which affect the packing operations must also be considered.

SHAPE

The shape of the item to be packed is an important factor to consider in designing blocking and bracing. A regular-shaped item with rectangular surfaces requires a minimum of blocking, while an irregular-shaped item with uneven surfaces, including projections, often require an elaborate blocking system. Curved surfaces require carefully fitted blocking to prevent damage caused by concentrated stresses at contact points, and to distribute internal forces over a greater area of the faces of the container (fig 1-2). Long, slender items, particularly if heavy, exert a tremendous concentrated force on the ends of the container during handling. This force may be counteracted by securely blocking the item to the sides, top, or bottom of the container, and by increasing the thickness of the ends of the container (fig 1-3). Relatively heavy, irregular-shaped small items present a particularly difficult problem when they must be cushioned as well as blocked. Generally, in solving this problem, it is desirable to even out the surfaces by means of pads and blocking to increase the bearing area. This in turn decreases the load per unit area of bearing on the cushion (fig 1-4).

SIZE AND WEIGHT

A large item may require more extensive blocking and larger amounts of cushioning than a smaller one. The blocking may be necessary to bridge the relatively wide spans of the container faces, or it may be required to distribute the cushioning over larger areas of the item. Since the impact force developed by the abrupt stopping of a moving object is directly proportional to its weight, the weight of an item is very important in considering the blocking and cushioning. In studying the item, consider the distribution of the weight with respect to the size and bearing areas. Where the weight is concentrated, it may be necessary to distribute it over a larger area. This may be done by transferring some of it from one container face to the edges or corners of the container by the use of end blocks.

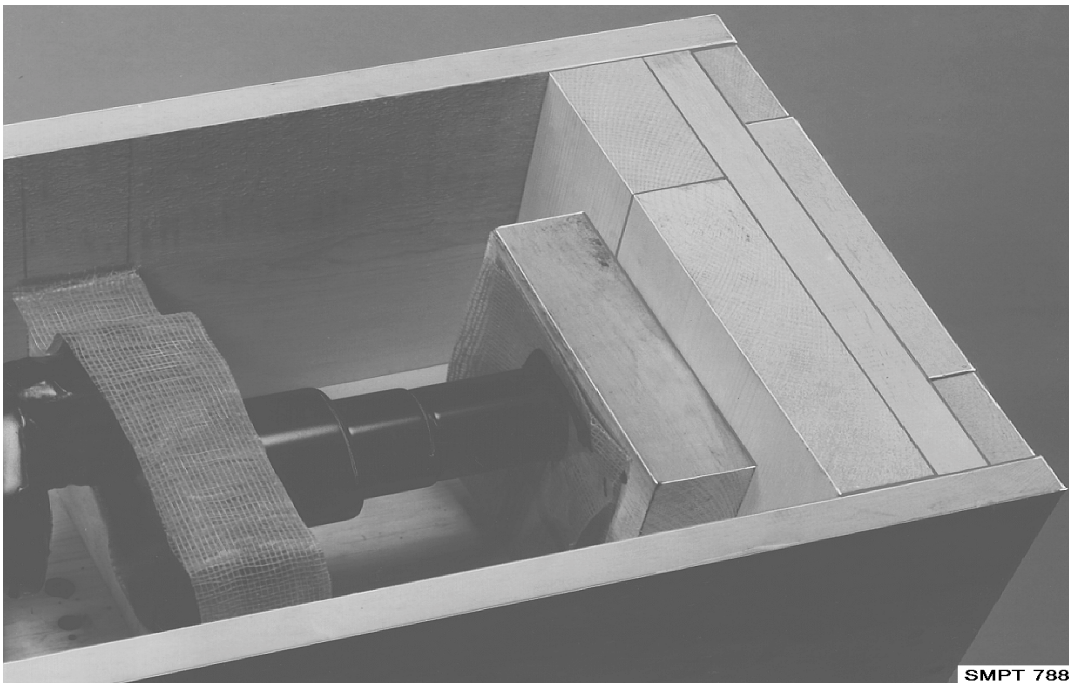


Figure 1-2. Interior blocking for an irregular shaped item.

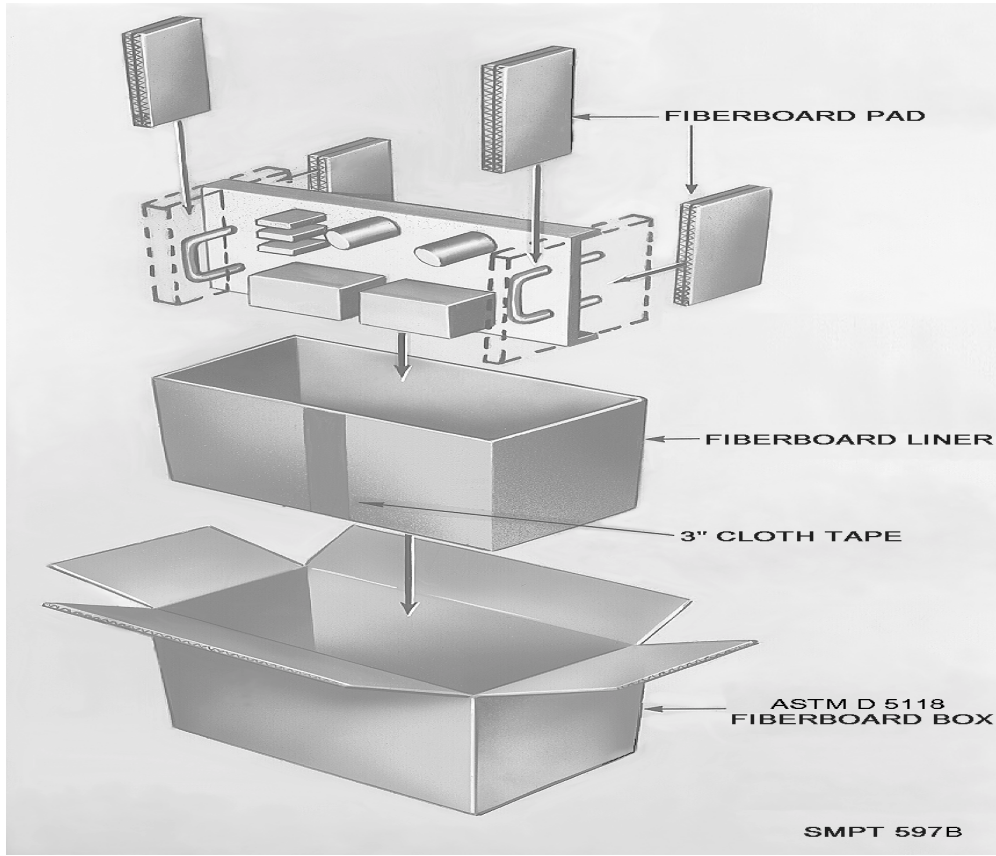


Figure 1-3. Use of corrugated fiberboard pads and liner.

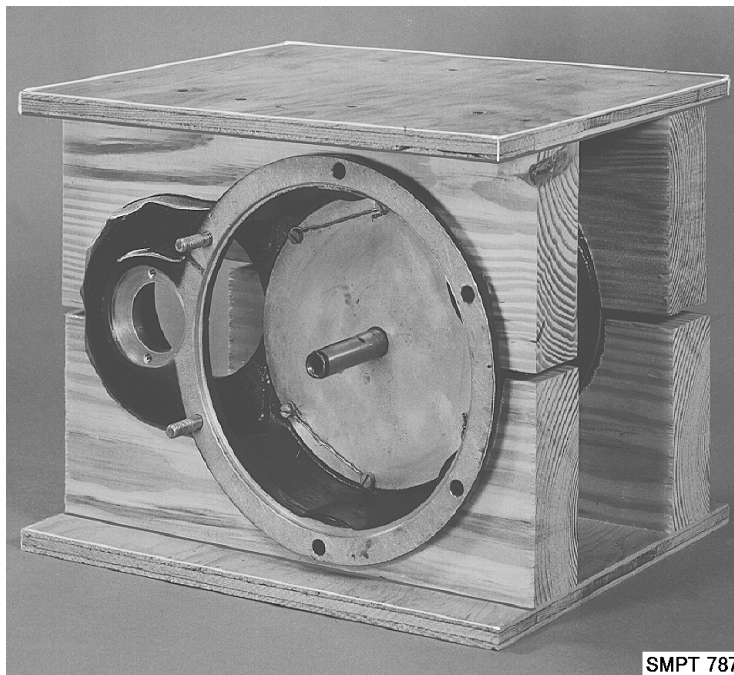


Figure 1-4. Interior blocking to protect container against end thrust.

STRENGTH AND FRAGILITY

Some items are rugged enough to withstand greater stacking loads and handling forces than their containers. Various components of vehicles and tanks, in particular, require little protection against shipping hazards, but are placed in containers for ease of handling, stowage, and storage. On the other hand, there are numerous items that require the maximum protection afforded by packing materials. Equipment is considered rugged or highly resistant to shock when bracing and blocking within the container is all that is needed for protection. Items that require cushioning for protection are considered to be fragile. The degree of fragility of an item determines the amount and type of cushioning required to protect it from damage during handling and shipment. Some items are inherently strong and rugged except for one or more fragile components. When the fragile components cannot be removed for separate packing the entire item must be treated as fragile, even though this may result in an unavoidably large, cumbersome pack.

AVAILABILITY OF MOUNTING PROVISIONS

An important factor to consider in packing is the availability of brackets and holddowns on the item that can be used to mount it within the container. Frequently, it is possible to mount an item within the container by using the same brackets and holddowns that are used for positioning and securing it in place when it is permanently installed. Mounting facilities should be examined to determine if they are adequate, especially if the container is likely to be tipped on end (fig 1-5). Compressors, engines, engine components, generators, starters, and carburetors are often secured in this manner.

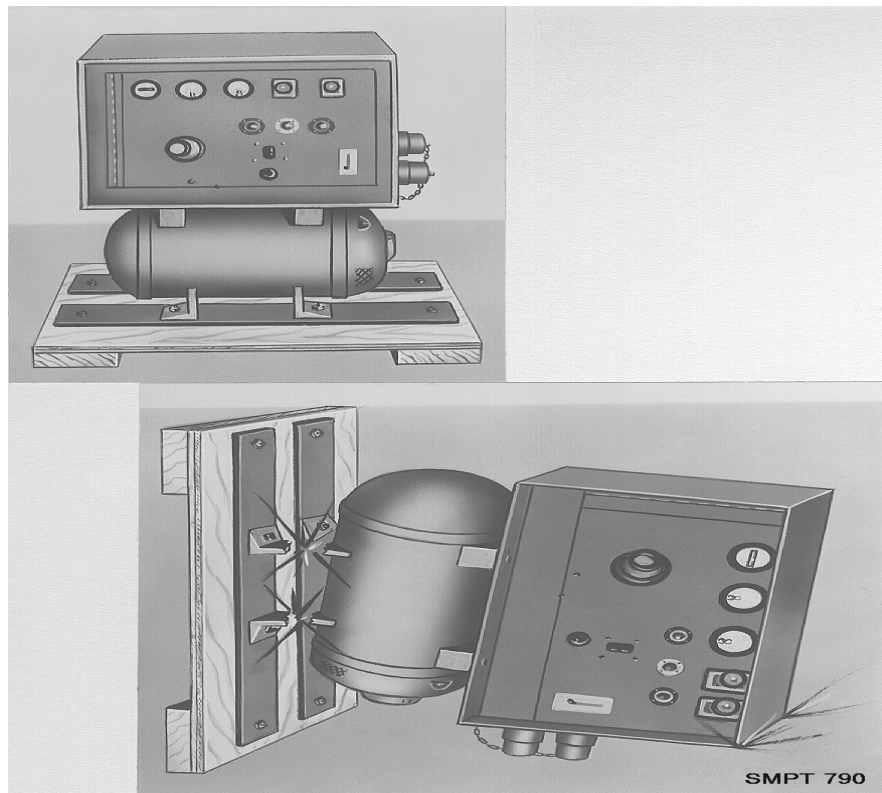


Figure 1-5. Mounting facilities of item must be adequate.

DISASSEMBLING OF AN ITEM

Items should be thoroughly investigated to determine if disassembly of simple parts can reduce the size of the container required and/or simplify the packaging. Proper authorization must be obtained before disassembling any portion of an item that would require technical skills or special tools to reassemble, realign, or recalibrate. The disassembly of simple-to-remove components with standard tools (i.e., handles, wheels) does not require prior authorization.

Disassembled Parts

When practicable, items should be disassembled to afford protection of components, attachments, and accessories against damage and pilferage and to reduce cubage. Disassembled parts should be wrapped, packaged, anchored, braced, blocked, or cushioned within the shipping container so that parts or protective devices within the shipping container cannot be damaged by mutual contact. Disassembled parts should be clearly and legibly marked as to identity and proper location on the assembled item. All fasteners removed during disassembly should be secured in one of the mating parts. A part should not be removed from an assembly unless it can be reassembled readily in the field without special tools.

CAUTION

Proper authorization must be obtained before disassembling any portion of an item that would require technical skills or special tools to reassemble, realign or recalibrate. Disassembly of simple-to-remove components such as handles, wheels, etc., requiring standard tools, does not need authorization.

SPECIAL PACKING REQUIREMENTS

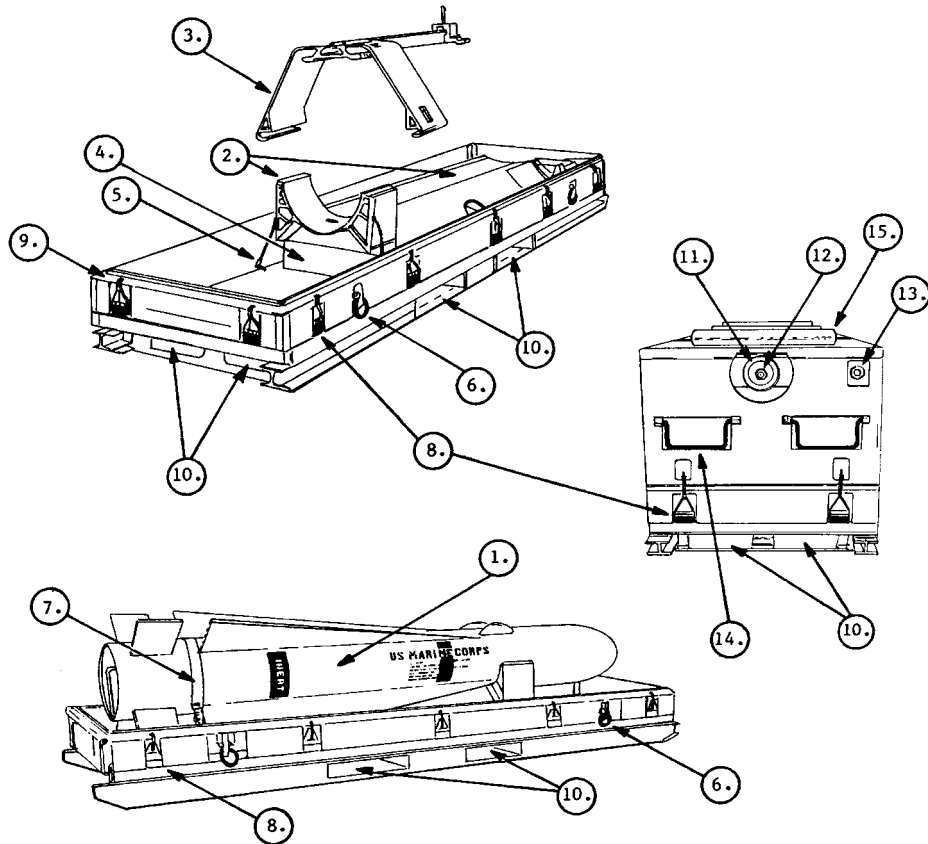
Reusable and other special purpose containers usually require special consideration of the packing of the contents in the container. For instance, in reusable containers, the blocking and cushioning must be arranged so that it may be easily removed, and when replaced, it will adequately protect the contents. However, reusable and special purpose containers should be considered for use, especially if their use results in reduced weight, cube, or cost. For example, the reusable container for a missile nose cone, shown in figure 1-6 while expensive to procure, may more than pay for itself through its reusability and its designed protection features.

LOAD CHARACTERISTICS

The proper selection of the shipping container for a given load is of the utmost importance. The kind of container must be determined by the weight, size, shape, and fragility of the load. To aid in this selection, the various loads have been classified as Type 1-Easy Load, Type 2-Average Load, and Type 3-Difficult Load. (See fig. 3 of the Introduction.)

MODES OF TRANSPORTATION

The mode of transportation is an important factor in determining the packing requirements. The hazards of handling and shipping vary greatly between motor, rail, ship, or aircraft. As an example, there could be considerable difference in the amount of handling that an item being transshipped from truck to rail to ship would receive, and the amount of handling an item delivered by air freight would receive. Likewise, an item



- | | | |
|-------------------------|----------------------------------|---------------------------|
| 1. MISSILE | 6. HOISTING/TIEDOWN/TOWING RINGS | 11. DESICCANT PORT |
| 2. CRADLE | 7. RESTRAINT STRAP | 12. PRESSURE RELIEF VALVE |
| 3. UPPER RESTRAINT | 8. LATCH | 13. HUMIDITY INDICATOR |
| 4. FOAM CUSHIONING | 9. GASKET | 14. COVER LIFT HANDLE |
| 5. QUICK-PIN WITH CABLE | 10. FORKLIFT POCKETS | 15. STACKING INTERFACE |

SMPT 444A

Figure 1-6. Protection features of a reusable missile container.

to be delivered by airdrop would require much more protection than one to be delivered by truck.

STORAGE CONSIDERATIONS

To assure serviceability of the contents after prolonged exposure to deteriorating elements, not only the supplies, but the packing materials which enclose them must be protected. There may be a considerable period from the time the material leaves the manufacturer until it is used. It may be stored outdoors in domestic depots, then shipped to staging areas or ports of embarkation to await transportation overseas. Finally arriving, it may again be stored in depots or supply areas which could be improvised shacks, native huts, tents, caves, or even in the open. At overseas supply points, the packs are often broken open and smaller intermediate packs distributed to forward areas. On the other hand, items may be shipped directly from the supplier to the user with a minimum of delay. In this instance, the protection provided by the pack could be considerably reduced from the amount required for the overseas pack.

DESTINATION AND FIELD CONDITIONS

The ultimate destination of items is generally unknown when they leave a packing facility. Some items may be used domestically while the rest will eventually go overseas. They may be shipped to the arctic regions, the islands of the seas, or the tropical jungles. They may be subjected to the cold, heat, humidity, aridity, or the extreme temperature changes of the various regions, all of which must be considered in planning the pack to assure adequate protection through the time of delivery and after arrival at destination when they may be subjected to unfavorable field conditions.

FUNCTIONS AND SELECTION OF SHIPPING CONTAINERS

FUNCTIONS

A shipping container is any exterior box, crate, drum, etc., which is required to enclose one or more items during transit or storage. The basic functions of a shipping container are to protect the contents and to provide for ease of handling. Shipping containers assist in the handling of a number of items by consolidation, and of a single item which is difficult to handle. The degree of protection derived from the shipping container depends upon its type, the materials used in its fabrication, its construction features, its final destination, the nature of the contents, and the anticipated hazards. Chapters 2 through 7 of this manual contain information on approved containers for military shipments and should be consulted when making selection of the appropriate containers.

SELECTION

The shipping container is usually established by specifications, directives, technical orders, or other authorized publications. Where a group of containers is authorized, or when the proper container is not specified, the packing supervisor is responsible for the selection of the appropriate container. They must base their selection upon the physical characteristics of the item; its destination; whether domestic or overseas; the level of protection required; the type of load; the initial cost of the container; the weight and cube of the container; the simplicity, economy and ease of assembly and closure; the availability; and need for reusability of the container (fig 1-7). Nailed wood boxes or similar heavy wooden containers will not be used unless fully justified by past experience or environmental, geographical, or security considerations.

ARRANGEMENT OF CONTENTS

The contents of a pack should be arranged within the shipping container so as to provide maximum protection to its contents and the container. Where applicable, the arrangement should permit a container fabricated of materials that will result in low tare weight, smallest practical cube, convenient handling, and suitability for palletization. Contents should completely fill the container or be secured therein with suitable clearance. Packs of like items should contain like quantities and should be uniform in size, shape, and weight.

MOVABLE PARTS AND PROJECTING PARTS

Articles with moving external parts or projecting parts that might become damaged by shock or vibration encountered in shipment should have these parts made secure against movement by means of blocking, bracing, tiedown, or other adequate provisions, or should be disassembled, if practicable.

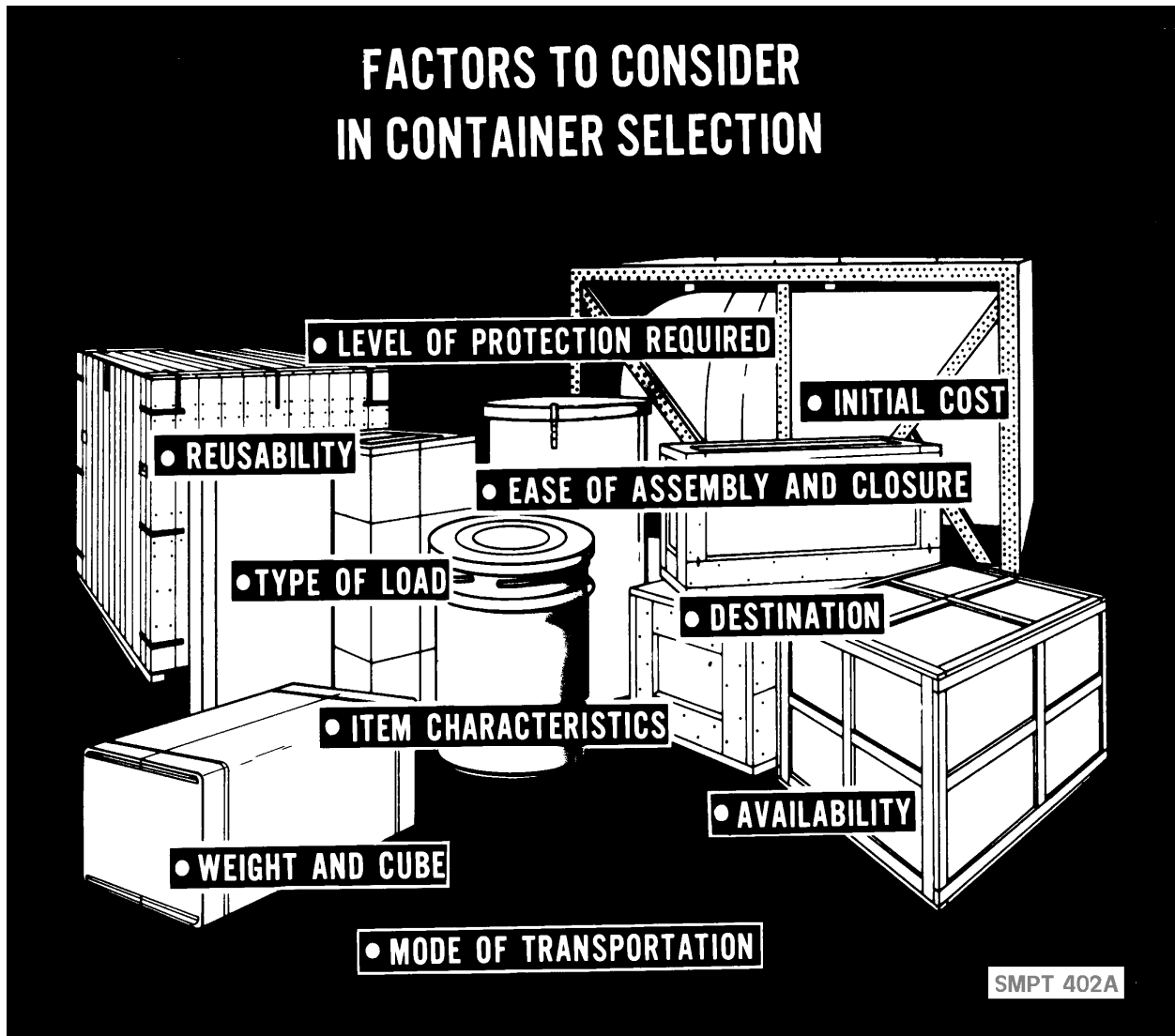


Figure 1-7. Container selection factors.

SEGREGATION OF PACKED CONTENTS

So far as practicable, contents of shipping containers should be segregated in the following order: (a) the order on the packing list; (b) items of the same contract; (c) items of the same National Stock Numbers; and (d) items of the same Federal Supply Class.

CONVERSION OF TYPE 3 LOADS

Where practicable, type 3 loads should be converted to type 1 or type 2 loads.

BLOCKING AND BRACING

BLOCKING AND BRACING DEFINED

Blocking and bracing is the process of providing physical and mechanical protection to an item by means of materials, other than cushioning materials, intended to prevent any free movement of the item within the container, and distribute or transfer concentrated loads of the item to larger areas of other faces of the container.

FUNCTIONS OF BLOCKING AND BRACING

Items which do not completely fill the shipping container should be blocked, braced, anchored, or otherwise immobilized within the container. Blocking and bracing should be used to secure items or components so that they will not shift within a container; to make irregular shaped items fit a regular container; to distribute the weight of irregular items over all edges and faces of the container; to protect projections from injury; to prevent projections from damaging the barrier or container; to provide space for spare parts or make room for desiccant; and to reinforce weak portions or mountings. Blocking and bracing modifies the original shape of an item so that it is protected adequately and so that it fits the container. The materials used for this purpose differ from cushioning in that they are not intended to absorb shocks. Items having legs or other projecting portions which may become loose or broken, or which might puncture the container, must be supported by adequate blocking and bracing. The blocks and braces should be applied against portions of the container that are strong enough to resist forces tending to distort them. Likewise, the bracing should be arranged to distribute forces to several reinforced sections of the surface of the item (fig 1-8). Items with movable parts, items mounted springs or other flexible supports should be braced securely to prevent movement, except where such mounting is part of the package cushioning or is designed to protect against shock and vibration during shipment.

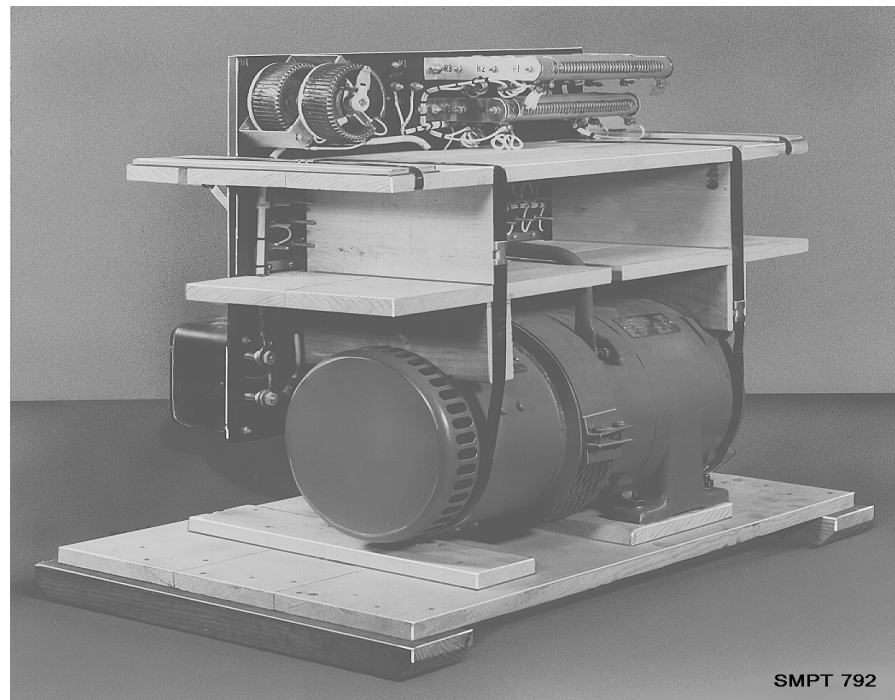


Figure 1-8. Blocking and bracing to prevent movement.

ABRASION PROTECTION

Protection should be provided when the surface of the item in contact with the blocking or bracing can be damaged by relative motion between the contacting surfaces or could become corroded as a result of such continuous contact. Protection against abrasion should be provided for highly finished or easily marred surfaces by wrapping or covering with cushioning material. Surfaces that might be damaged by contact with cushioning material should be separated by a covering of noncorrosive paper conforming to MIL-P-130 or greaseproof barrier material conforming to MIL-B-121, grade A.

APPLICATION OF BLOCKING AND BRACING MATERIALS

The materials selected for all blocking and bracing, the design and application of the blocking and bracing should be compatible with the load to be supported and the size, shape, and strength of bearing areas of the item. The heavier the load needing support, the stiffer and stronger the materials for blocks and braces must be. Hence, the choice of materials depends upon the size and shape of the areas against which the blocking and bracing will be placed, as well as the size and weight of the item being secured. Since a shipping container may be dropped on any of its faces or corners, blocks and braces must be designed to withstand the thrust and impact applied on any direction. The choice of materials used for blocking and bracing vary widely. The chief materials used are corrugated fiberboard in cells, trays, pleated pads, and flat pads, for relatively lightweight items or for supplementary primary blocking of heavy items. Wood, plywood, rigid plastic foams, and metal are used as the primary blocking materials for large and heavy items.

Fiberboard

Open-end cells and trays of corrugated fiberboard. When used as blocking, corrugated fiberboard must be designed to fit the bearing area of the item to support and evenly distribute the load. Common forms of corrugated fiberboard blocking are die-cuts, open end cells, trays, pleated pads, and flat pads (fig 1-9). Frequently, various combinations of these forms are employed. They can be used to provide spaces for, and restrain the movement of, disassembled parts, as well as provide openings for bags of desiccant. Generally, cells and trays should be held in shape with tape or staples.

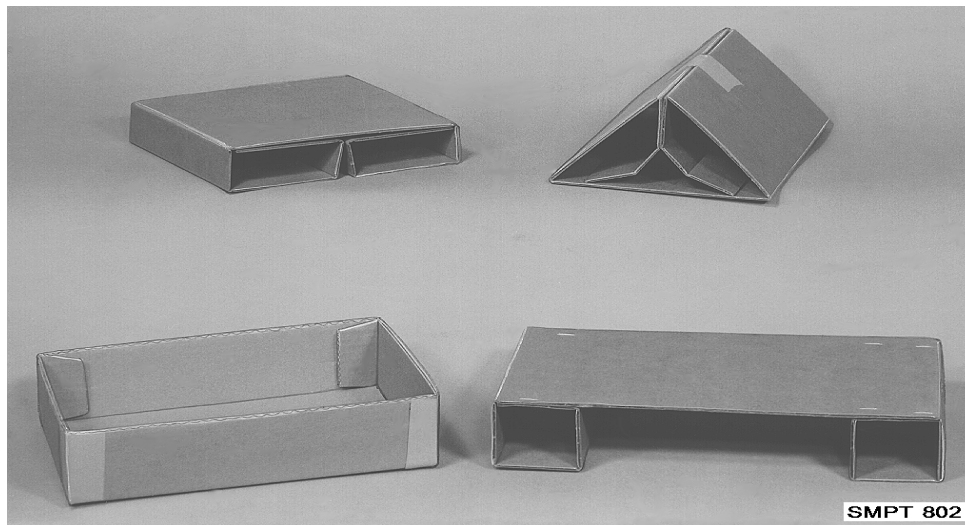


Figure 1-9. Cells and trays made of corrugated fiberboard.

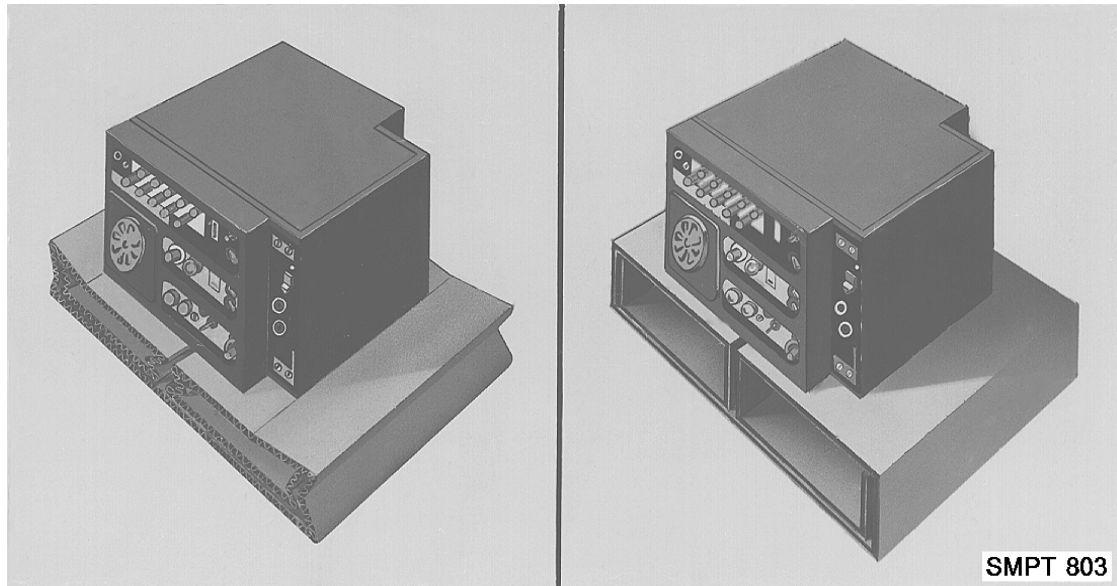


Figure 1-10. Incorrect and correct direction of corrugation.

Those surfaces of the cell or tray which are perpendicular to the contacting surface of the item are called bracing supports and are the load bearing members. No bracing support allowances should be made for the other surfaces. To utilize all of the strength of these bracing supports, they should bear directly on the item. The weight of the item must be exerted in the same direction as the corrugations. If not, the item is inadequately supported and damage may result (fig 1-10). Open-end cells and trays should be used for blocking and bracing deep recesses; bridging long projections; providing spaces for disassembling parts, accessories, and dessicants; and providing clearance between item and container. Bracing supports should bear directly on the article. Allowable loads for bracing supports of open-end cells loaded in the flute direction should be in accordance with table 1-1. If flute direction is at right angles to the direction of the load, the allowable loads should be 50 percent of the values of table 1-1. Trays should be scored and folded parallel to the flute direction and should not exceed 4 inches in height.

CORRUGATED FIBERBOARD FORMS

Corrugated fiberboard used for blocking and bracing should conform to ASTM D 4727. Blocking and bracing forms should be loaded in the direction parallel to the flutes wherever possible. The cutting, slotting, scoring, and folding of fiberboard blanks to make blocking and bracing supports or forms shall be such as to assure proper fitting and distribution.

FOLDED PADS

Folded pads of corrugated fiberboard may be used for blocking greater loads than are feasible to support with cells and trays. The pads should be designed to fit against a flat surface (flat pads) or along an edge (corner pads). Connecting webs between flat pads should always contact the container and not the item. All scores and folds should be made at right angles to the flute direction. Flat pads should be a minimum of 2 inches wide. Portions of folded pads in direct contact with the item are bearing areas. The maximum loads for these bearing areas should be in accordance

Table 1-1. Allowable loads for corrugated fiberboard. Columns loaded in the flute direction.

Material	Allowable loads per lineal inch of bracing support or column	
	Height up to 4 inches	Height over 4 inches
	Pounds	Pounds
Double-faced fiberboard:		
200-pound bursting strength	2	1
275-pound bursting strength	2.5	1.5
350-pound bursting strength	3	2
Double-wall fiberboard:		
275-pound bursting strength	2.5	1.5
350-pound bursting strength	3	2
500-pound bursting strength	4	2.5
Triple-wall fiberboard:		
1,100-pound bursting strength	5	4

Note. When a greater load is imposed than that permitted by the table, use wood blocking and bracing

with table 1-2. Accordion folded pads have greater resistance to breakdown than open end cells because the load is spread over a large area rather than on bracing supports. Accordion folded pads with tight folds distribute the load more evenly to the container. The connecting web between the folded pleats should be placed in contact with the container rather than the item. Creases for accordion folded pads should be made across the corrugations, and the pleat should be at least 2 inches in width. If necessary, a pleat 1 1/2 inches wide may be made, but extreme care must be exercised when folding the pad to prevent crushing the corrugations. Tape should be used to keep accordion folded pads in shape. The load bearing capacity of a pad is based on the initial compressibility of the corrugated material. Increasing the number of pleats does not increase the safe load limit; numerous pleats increase the cushioning value only. Wide or long items are better supported by several accordion folded pads, placed side by side, than by one pad having extremely wide folded pleats.

FLAT PADS

Flat pads of corrugated fiberboard may be used to block very shallow projections, such as hinges or slight offsets on surfaces; to level off projecting screw heads; to fill in the space between ends of inner flaps of slotted fiberboard boxes to provide additional protection to contents at top and bottom of boxes; and to separate items within a container. Allowable loads should be in accordance with table 1-2. Maximum allowable loads per square inch of bearing area on a flat pad are the same as those for a pleated pad. Flat pads can be slotted to form partitions, or they may be die cut or punched to fit items or irregular shape. Figure 1-11 shows the assembling of slotted fiberboard partitions.

Table 1-2. Allowable loads for folded corner and flat pads of corrugated fiberboard

Flute design	Maximum allowable load for bearing areas
	Pounds per square inch
A-flute (36"3 corrugations per foot)	2.0
B-flute (50"3 corrugations per foot)	3.0
C-flute (42"3 corrugations per foot)	2.5

Note. The flat crush resistance of the corrugations shall determine the load that may be carried in flat loading of corrugated fiberboard. This shall not be construed to meet the bursting strength of the material.

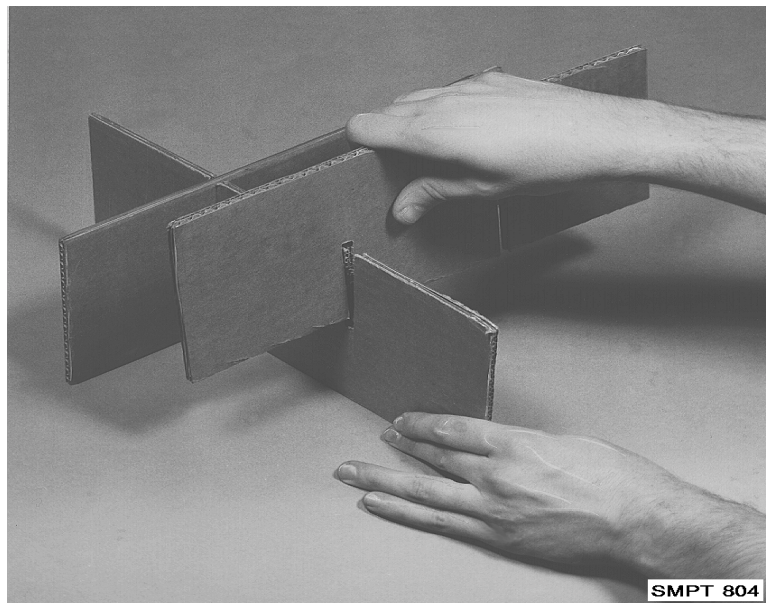


Figure 1-11. Assembling of slotted fiberboard partitions.

CORNER PADS

The use of corner pads made of multiple layers of corrugated fiberboard shall comply with the load requirements of table 1-2. The pads shall provide required clearances and support for rectangular shaped items or for an inner box in which items are packed.

TUBES

Fiberboard tubes should be used as blocking when items mounted on an auxiliary base are packed on fiberboard boxes. The bottom of the tube shall contact the top of the auxiliary base and the top of the tube shall contact the top inside surface of the container. The flutes shall be oriented in the top-to-bottom direction of the tube. The weight of the item plus auxiliary base, in pounds, divided by the perimeter of the tube, in inches, shall not exceed the appropriate values given in table 1-2 for column heights over 4 inches.

CORRUGATED FIBERBOARD LINERS

A liner is a continuous pad, bent to fully contact two or more inner faces of a container. Liners are used to reinforce a container against crushing by forces imposed during stacking, or to take the place of two or more flat pads. A liner may also be used as a holddown for base mounted items weighing not more than 20 pounds. The creases in a liner should be made parallel to the

direction of the corrugations of the fiberboard, in order that the resistance to forces ordinarily encountered in stacking be the greatest.

CORNER POSTS

Fiberboard corner posts should be used to reinforce the shipping container and provide blocking for platform-mounted equipment. The flutes should be oriented in the top-to-bottom direction. The bottom end of the corner post shall bear uniformly on the platform, and the top end of the corner post shall bear on the inner flap of the container or top member of a crate. Corner posts, when installed, must so interlock with the contents and other inner padding pieces in order not to become displaced during transportation.

WOOD OR PLYWOOD

Wood or plywood may be used alone or in combination for blocking and bracing. Wood or plywood blocking and bracing members should bear against only those parts of the packed item capable of withstanding the applied dynamic forces or should bear against blocking pads or pressure strips that adequately distribute these forces. Wood or plywood blocking and bracing should be designed to permit easy removal without damage to the item. Both wood and plywood are used for blocking and bracing because of their high strength-weight ratio, general availability, and ease of cutting and fastening. Lumber has certain weaknesses, such as low splitting resistance parallel with the grain, and a tendency to shrink or swell with change in moisture content.

Plywood has high resistance to splitting and high dimensional stability with changes in moisture content. Because they are more resistant to splitting than solid wood, plywood panels are more often used in thinner dimensions than lumber, and are readily nailed or fastened with screws near the edges. Plywood is more apt to have a lower moisture content than lumber because of the manner in which it is manufactured and stored. Plywood, being constructed of alternate plies at right angles to each other possesses more uniformly distributed strength properties than lumber. When considering lumber and plywood of comparable sizes and quality, it is generally true that the strength properties of lumber parallel to the grain are greater than the respective strength properties of plywood parallel to the grain of the face ply. It is also true that the strength properties of lumber perpendicular to the grain are generally less than the respective strength properties of plywood perpendicular to the grain of the face ply.

WOOD

Wood members of each size and type used in the blocking and bracing should be tested for moisture content. Structural members (those subject to critical bending stresses) shall conform to class 1. All other blocking and bracing members shall conform to class 3. Whenever possible, wood blocks or braces shall be placed so that the load is applied against the end grain of the member. Ends of braces shall be socketed or fitted and secured into appropriate notches in load-bearing members.

PLYWOOD

Plywood used for blocking and bracing should conform to A-A-55057.

WOOD BLOCKING AND BRACING

The species of woods differ greatly in strength and related properties and, accordingly, have been separated into four groups. Certain species, such as those of Group IV, excel in toughness and shock resistance, but care must be exercised in nailing them to avoid splitting. Other species, such as southern yellow pine and Douglas fir of Group II, are high in bending strength and stiffness; and nailing is a lesser problem. The characteristics of the groups of wood may be used to advantage in various forms of blocking and bracing (fig. 1-12). Thin pieces of lumber split more easily than thick pieces; hence, thin pieces for blocking should be avoided if possible. If the dimensional limits of the item require that the blocking be thin, it is preferable to use plywood.

MOISTURE CONTENT

The moisture content of lumber employed as blocking and bracing material should not exceed 19 percent nor be less than 12 percent of its oven dry weight at the time of fabrication. Shrinkage is objectionable because it allows movement of the item and the item may actually break loose. Moisture in lumber is objectionable because it is apt to evaporate into the pack, thus raising the humidity of the pack and causing corrosion of metals or decay of organic materials.

CAUTION

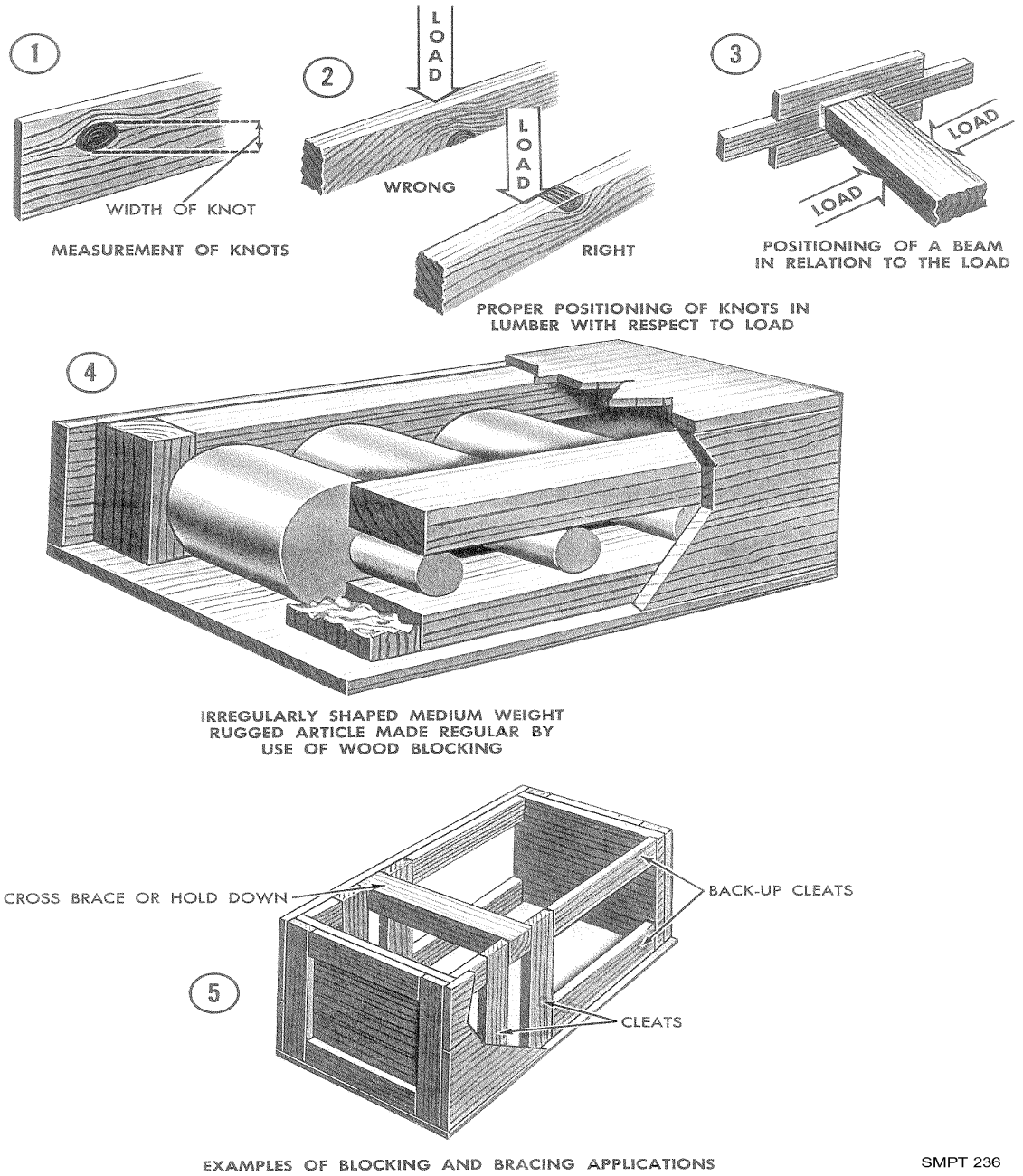
Lumber, plywood, or other hygroscopic materials should never be placed in direct contact with critical metal surfaces since such materials tend to absorb and retain moisture next to the surfaces, finally causing corrosion. Provide always a water-vaporproof barrier between any critical metal surfaces and hygroscopic packing materials, and a waterproof or moisture-resistant barrier between all metal surfaces and hygroscopic materials.

DEFECTS IN BLOCKS AND BRACES

Wooden members used for blocking and bracing are often subjected to great stress and careful consideration must be given to any weakening defects. If the member functions as a beam or column, defects such as divergence of grain, knots, splits and decay should be avoided. This is especially important if the defect is located near the center of the piece, because of the great reduction in shock resistance. If a piece with a knot is used, the load is placed so that the knot is in compression as shown in ②, Figure 1-12. Lumber having knots of a diameter exceeding one-fourth the width of the piece should not be used (fig 1-12). The slope of grain in each piece should not exceed 1 inch in 10 inches of length, or splitting is likely to occur. Decayed wood is avoided under all circumstances because there is not way of determining how much the decay may have weakened the wood. For additional information on wood knots, see chapter 3 and figure 3-3.

Size of Wood Braces of Holddowns

Braces or holddowns must be of sufficient size to withstand the shocks encountered. The size of a brace varies with the weight of the item, the length of the brace, and the type of loading. Table 1-3 used with figure 1-13 gives the recommended allowable load in pounds for the various sizes of braces and the various types of loading. For example, assume that the weight of the item is 60 pounds, the length of the brace is 24 inches, and the type of loading is the third type illustrated in figure 1-13 (loading in the



SMPT 236

Figure 1-12. Application of wooden blocks and braces.

Table 1-3

THE ALLOWABLE LOAD IN POUNDS IS FOR GROUP II WOODS

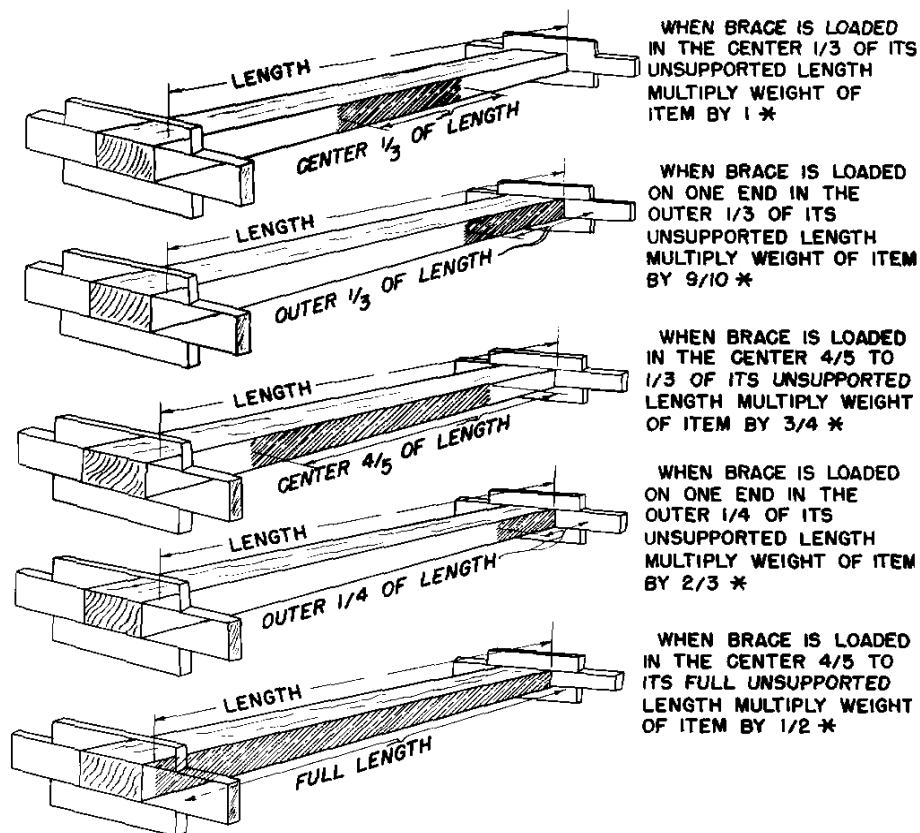
LENGTH OF BRACE IN INCHES	1 X 1		1 X 2		1 X 3		1 X 4		1 X 6		1 X 8		2 X 2		2 X 3		2 X 4	
12	23	23	47	94	78	225	109	315	172	495	227	653	187	187	313	450	438	630
18	16	16	31	63	52	174	73	315	115	495	151	653	125	125	208	347	292	630
24	12	12	23	47	39	130	55	255	86	495	113	653	94	94	156	260	219	510
30	10	10	19	37	31	104	43	204	69	495	91	653	75	75	125	208	175	408
36	8	8	16	31	26	87	36	170	57	420	76	653	62	62	104	174	146	340
42	7	7	13	27	22	74	31	146	49	360	65	626	54	54	89	149	125	292
48	6	6	12	23	20	65	27	128	43	315	57	548	47	47	78	130	109	255
54	5	5	10	21	17	58	24	113	38	280	50	487	42	42	69	116	97	227
60	5	5	9	19	15	52	22	102	34	252	45	438	37	37	63	104	88	204
66	4	4	8	17	14	47	20	93	31	229	41	398	34	34	57	95	80	186
72	4	4	8	15	13	43	18	85	29	210	38	365	31	31	52	87	73	170
78	4	4	7	14	12	40	17	78	26	194	35	337	29	29	48	80	67	157
84	3	3	6	13	11	37	16	73	25	180	32	313	27	27	45	74	62	146
90	3	3	6	13	10	35	15	68	23	168	30	292	25	25	42	69	58	136
96	3	3	6	12	10	33	14	64	22	158	28	274	23	23	39	65	55	128
102	3	3	6	11	9	31	13	60	20	148	27	258	22	22	37	61	51	120
108	3	3	5	10	9	29	12	57	19	140	25	243	21	21	35	58	49	113
114	2	2	5	10	8	27	12	54	18	133	24	231	20	20	33	55	46	107
120	2	2	5	9	8	26	11	51	17	126	23	219	19	19	31	52	44	102

LENGTH OF BRACE IN INCHES	2 X 6		2 X 8		3 X 3		3 X 4		3 X 6		3 X 8		4 X 4		4 X 6		4 X 8	
12	688	990	906	1305	750	750	1050	1050	1650	1650	2175	2175	1470	1470	2310	2310	3045	3045
18	458	990	604	1305	579	579	810	1050	1273	1650	1678	2175	1470	1470	2310	2310	3045	3045
24	344	990	453	1305	434	434	608	851	955	1650	1259	2175	1191	1191	1872	2310	2467	3045
30	275	990	363	1305	347	347	486	681	764	1650	1007	2175	953	953	1497	2310	1974	3045
36	229	840	302	1305	289	289	405	567	637	1400	839	2175	794	794	1248	1961	1645	3045
42	196	720	259	1251	248	248	347	486	546	1200	719	2086	680	680	1069	1681	1409	2920
48	172	630	227	1095	217	217	304	425	477	1050	629	1825	595	595	936	1470	1234	2555
54	153	560	201	973	193	193	270	378	424	934	559	1622	529	529	832	1307	1096	2271
60	138	504	181	876	174	174	243	340	382	840	503	1460	476	476	749	1176	987	2044
66	125	458	165	796	158	158	221	309	347	764	458	1327	433	433	681	1069	897	1858
72	115	420	151	730	145	145	203	284	318	700	420	1217	397	397	624	980	822	1703
78	106	388	139	674	134	134	187	262	294	646	387	1123	366	366	576	905	759	1572
84	98	360	129	626	124	124	174	243	273	600	360	1043	340	340	535	840	705	1460
90	92	336	121	584	116	116	162	227	255	560	336	973	318	318	499	784	658	1362
96	86	315	113	548	109	109	152	213	239	525	315	913	298	298	468	735	616	1278
102	81	297	107	515	102	102	143	200	225	494	296	859	280	280	440	692	580	1202
108	76	280	101	487	96	96	135	189	212	467	280	811	265	265	416	654	548	1136
114	72	265	95	461	91	91	128	179	201	442	265	768	251	251	394	619	519	1075
120	69	252	91	438	87	87	122	170	191	420	252	730	238	238	374	588	493	1022

LUMBER CROSS SECTION SIZES AS SHOWN IN TABLE ARE NOMINAL.

THE ALLOWABLE LOAD IN POUNDS AS SHOWN ARE FOR ACTUAL OR DRESSED SIZES - EXAMPLE : 11/2 x 31/2 = 2 x 4 ETC.

SMPT 794C



* VALUE OBTAINED BY MULTIPLYING WEIGHT OF ITEM BY ABOVE FACTOR IS USED DIRECTLY IN BRACE SELECTION TABLE TO FIND CORRECT SIZE OF BRACE

SMPT 793

Figure 1-13. Types of loading (use with table 1-3).

center 4/5 to 1/3 of the unsupported length of the brace). For this type of loading, multiply the weight of the item by the factor 3/4, as shown in figure 1-13. Three-fourths times 60 equals 45. In the column headed "Length of brace in inches", of table 1-3, find 24 inches and read to the right until a value near 45 is found. The heading for this column shows that the proper size of member and direction of loading is a 1 x 2-inch member used on edge, or a 1 x 4 inch member used flatwise.

POSITIONING LOADS ON BLOCKS AND BRACES

When wood blocking and bracing is used to secure heavy items, place the block so that the load rests on the end grain of the piece, whenever possible. If this cannot be done, the load should bear on the edge grain. When so placed, the maximum strength of the brace is used (fig 1-14). Since wood is relatively stable in dimension along the grain, there is little effect from shrinkage or swelling with a change in moisture content. The brace should, if possible, have its narrow face against the item so that its maximum stiffness is utilized. If a larger bearing area is required, and it becomes necessary to have the flat face of the brace against the item, the size of the brace against

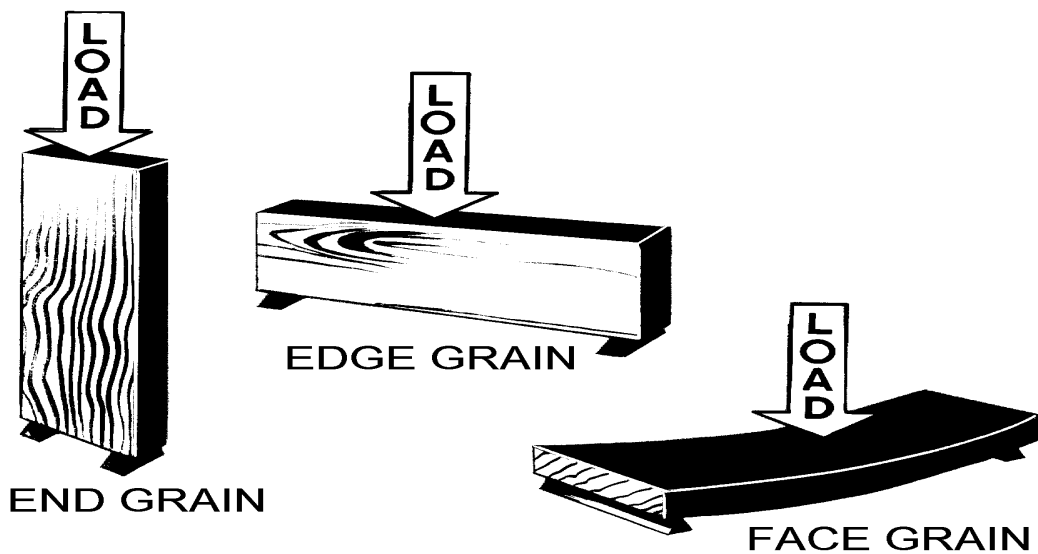
the item, must be increased (table 1-3). Lumber which is relatively wide for its thickness must be reinforced throughout its length to prevent twisting or buckling.

USING LUMBER AS A MOUNTING BASE

If an item is to be secured to a base, and plywood is not available, use dimensional lumber. Bases of dimensional lumber should be constructed with sufficient cleats at right angles to the grain of the baseboards, and fastened with clinched nails to prevent the boards from splitting at the bolt holes. Strength of the bases must be adequate to withstand any rough handling the pack may be likely to receive.

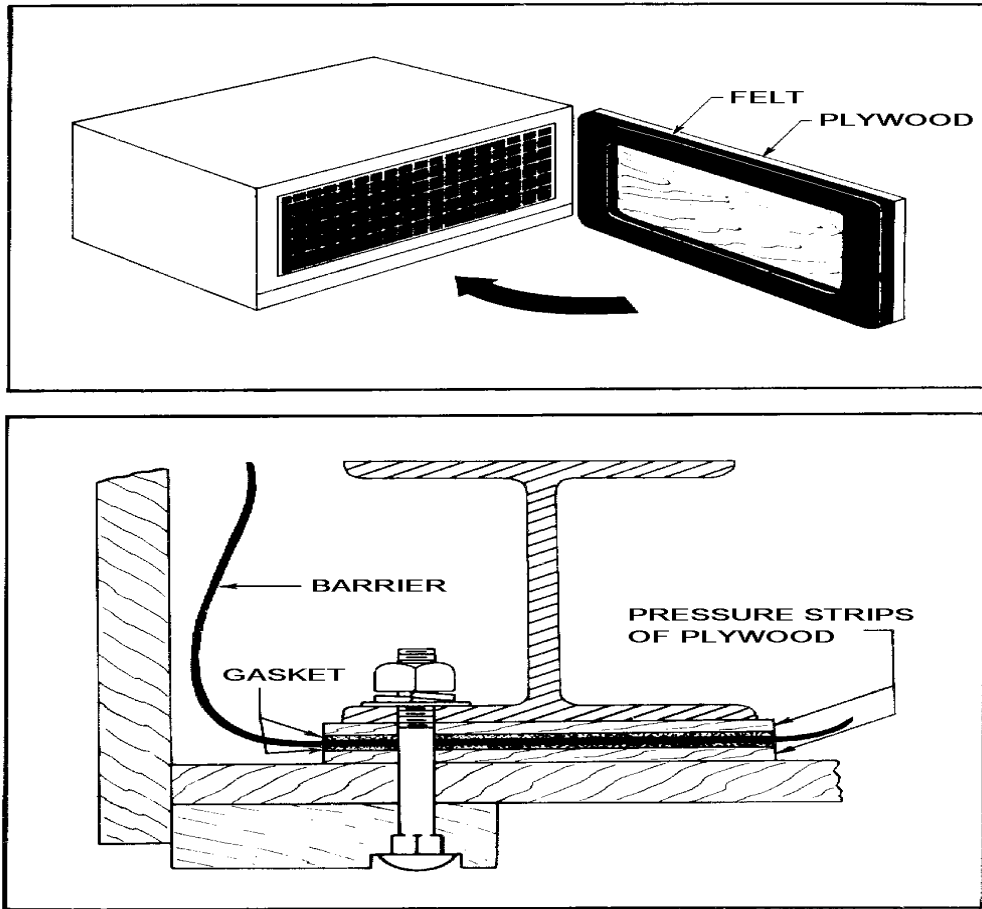
SECURING LUMBER BLOCKING

Securing lumber blocking properly is the most essential factor in blocking and bracing. Wooden braces positioned between two faces of a container should never be secured with end grain nailing, toenailing, or similar methods, nor should they ever be inserted into notches cut into the container faceboards. Instead, the braces should be secured by cleats fastened to the faces of the container with a sufficient number of clinched nails. When pressures are great or an increased nailing area is required, backup blocks are used to reinforce the cleats and give increased nailing area. When pressure is from more than one direction, a pocket cleat arrangement is used to hold the braces in position ③ fig 1-12. The backup blocks are positioned with their end grain in contact with the brace in order to make use of the high strength property of wood in compression parallel to the grain. The cleats and backup cleats ⑤ fig 1-12 are secured with clinched nails properly staggered at intervals along their length. Sometimes, however, bolts are used to fasten these members in place. This is especially desirable when the entire weight of the item thrusts against the block, or when the cleat supports a framework attached to one or more faces of the container.



SMPT 795

Figure 1-14. Positioning load according to grain of wood



SMPT 796

Figure 1-15. Protection for barrier and item surfaces.

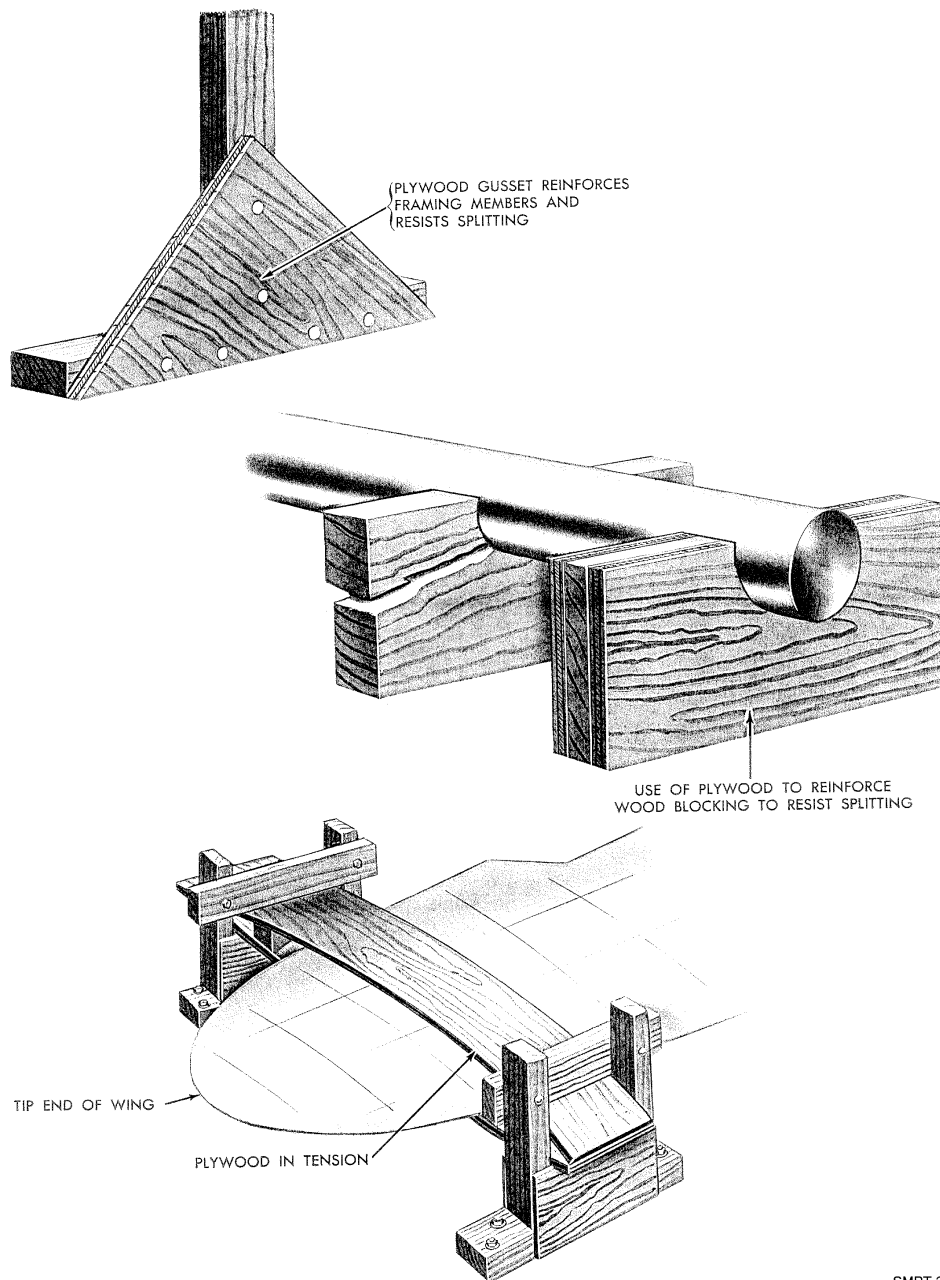
PLYWOOD BLOCKING AND BRACING

Plywood is used to distribute the load when the face of an item is flat but structurally weak and the weakness prevents that face from being used as a bearing area. By covering the face of the item with a sheet of plywood, so that the plywood bears on stronger portions of the face, the load of the item is distributed uniformly against the container and injury to the weak face is prevented. The edges of the plywood sheet are padded with felt, if necessary, to prevent the plywood from marring the surface of the item (fig 1-15). Plywood can be used for making pressure strips to distribute the load of an item on the gaskets when a floating water-vaporproof barrier is used. This method, which minimized the possibility of barrier damage during shipment, is illustrated in figure 1-15. When it is not practical to block an irregular item to transfer the load evenly to all faces of the container, it is wise to secure the item to a solid base which may in turn be blocked to evenly distribute the load. If the container is of fiberboard, plywood serves as a good pallet to which the item may be bolted or strapped. The plywood, in turn, is securely blocked into the container by a holddown or top pad. Thin plywood is used to advantage where the blocking must be flexible to conform to a curved surface.

Plywood is used where thin material is required as a brace in tension. When an item is to be bolted to a base or auxiliary base, plywood is used for the base because of its resistance to splitting (fig 1-16). Since plywood is obtainable in wide panels, it is especially useful in base construction. For light items, 1/2- or 3/4-inch plywood should be used. For medium and heavy items, two or more pieces of plywood can be fastened together, or a series of strengthening cleats can be added to the panel. The cleats also may be of plywood to reduce the possibility of splitting.

COMBINED PLYWOOD AND LUMBER BLOCKING AND BRACING

Plywood and lumber, combined into a blocking and bracing assembly, unite the advantages of a strong, lightweight sheet material with a material that is easily cut and nailed. Plywood is used as a sheet with wooden blocks nailed to the sheet. The number, dimensions, and placement of the wooden blocks depend upon the shape of the item, its depth, the position of any projections, and the loads to be supported at the various bearing areas. The required thickness of the plywood depends upon the span between the blocks and the load to be distributed. The sheet of plywood must be stiff enough to resist bending so as to evenly distribute the weight of the item. Position the blocks upon the plywood sheet at places where the item can withstand concentrated loads. Wherever possible, locate the blocks and braces against the stronger portions of the item. Choose nails that are long enough to permit clinching after being driven through the wooden blocks and the plywood sheets. If clinching is impractical, drive the nails through the thinner piece first. Cover all surfaces of wood blocks contacting the item with felt and glue in place. Where the felt-covered blocks normally contact critical surfaces of the item, use greaseproof or water-vaporproof barrier material between the felt and the item. Eliminate time consuming construction of a framework at the time of packing by using prefabricated blocking.



SMPT 237

Figure 1-16. Uses of plywood for blocking and bracing.

NAILS AND NAILING

Nails shall conform to the requirements of ASTM F 1667-95. All nails that are not clinched shall be cement coated, etched or mechanically deformed (helically or annularly threaded). Unclinched nails shall be as long as practicable without splitting the material, but not shorter than three times the thickness of the member holding the nailhead for tenpenny nails and smaller, or not shorter than the thickness of the same member plus 1 1/2 inches for twelvepenny nails and larger. Nails loaded transversely to their length (lateral) in blocking and bracing joints need not be clinched. End

grain nailing in solid wood or edge nailing in plywood shall not be permitted. Nails shall be driven through the thinner member into the thicker member wherever possible. Nails shall not be subject to withdrawal stresses. Nails shall be driven not closer to the end of a piece of lumber than the thickness of the piece and not closer to its side than one-half its thickness. There shall be at least two nails in each joint. Lateral loading of nails for blocking and bracing shall be in accordance with table 1-4. Ends of blocks and braces shall not be fastened to a wood container by end-grain nailing methods. Blocking and bracing shall be applied against areas of item(s) that are of sufficient strength and rigidity to resist damage. A description of the various types of nails and general requirements for their use are given in chapter 3. Standard sinker and cooler nails are particularly well suited for use in blocking and bracing and should be coated or chemically etched especially if the nails cannot be clinched. If nails fail when subjected to forces of direct withdrawal, apply nails so that they are subjected to forces of lateral displacement rather than direct withdrawal, that is, the direction of the nails is perpendicular to the direction of the load, rather than in line with the direction of the load.

BOLTS AND BOLTING

Carriage or step bolts shall be used as fastenings for wood or plywood blocking and bracing where necessary to facilitate disassembly for removal of container contents. Bolts shall also be used for fastening blocking and bracing members that are too thick for proper fastening with nails. Bolt holes in wood or plywood shall be of the same diameter as the bolts. Bolts commonly used for blocking and bracing are machine bolts, carriage bolts, and step bolts.

Step bolts are preferred for this use because of their larger head diameter. J- or U-bolts are used for special conditions where regular bolts cannot be applied (fig 1-17). Tie rods and J-bolts are actually extended bolts, applied in pairs either vertically (fig 1-18) or diagonally (fig 1-19), and are used where standard length bolts would not apply. See table 1-5 for the suggested allowable load for the various sizes of bolts. The following precautions should be observed in the use of bolts:

Items such as machines or subassemblies having bolt holes in parts which are sturdy enough to resist breakage when rough handling should, if practical, be bolted to one face of the container. If nonprecision bolt holes are involved, the diameter of the bolt should be the nearest standard size consistent with the diameter of the hole.

Table 1-4. Allowable lateral loads for unclinched cement-coated or etched common wire nails when used for blocking or bracing.

Species of wood	Load, pounds per nail								
	4d	6d	8d	10d	12d	16d	20d	30d	40d
White pine, ponderosa pine, spruce and other group I woods	14	17	21	25	26	29	38	42	48
Southern yellow pine, Douglas fir, western larch, and other group II woods	21	26	32	39	40	45	58	65	73
Oak, maple, birch, beech, ash, and other group III and IV woods	26	32	40	48	49	55	71	80	90

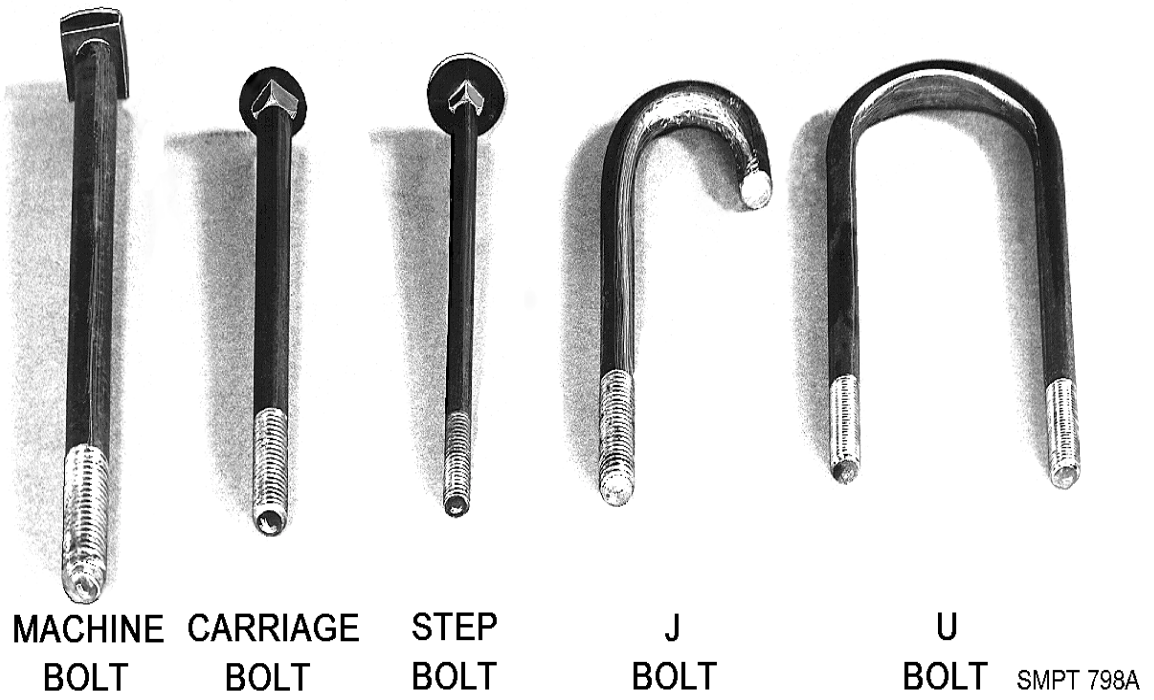


Figure 1-17 Bolts for blocking and bracing.

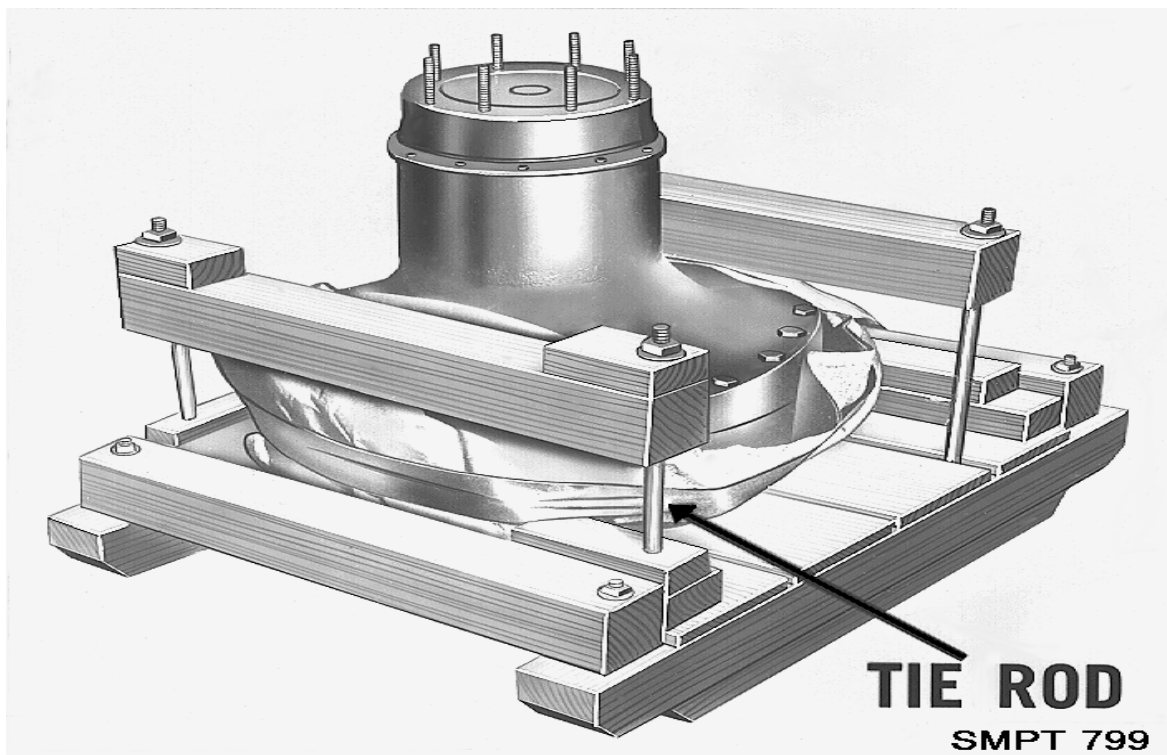


Figure 1-18. Vertical use of tie rods.

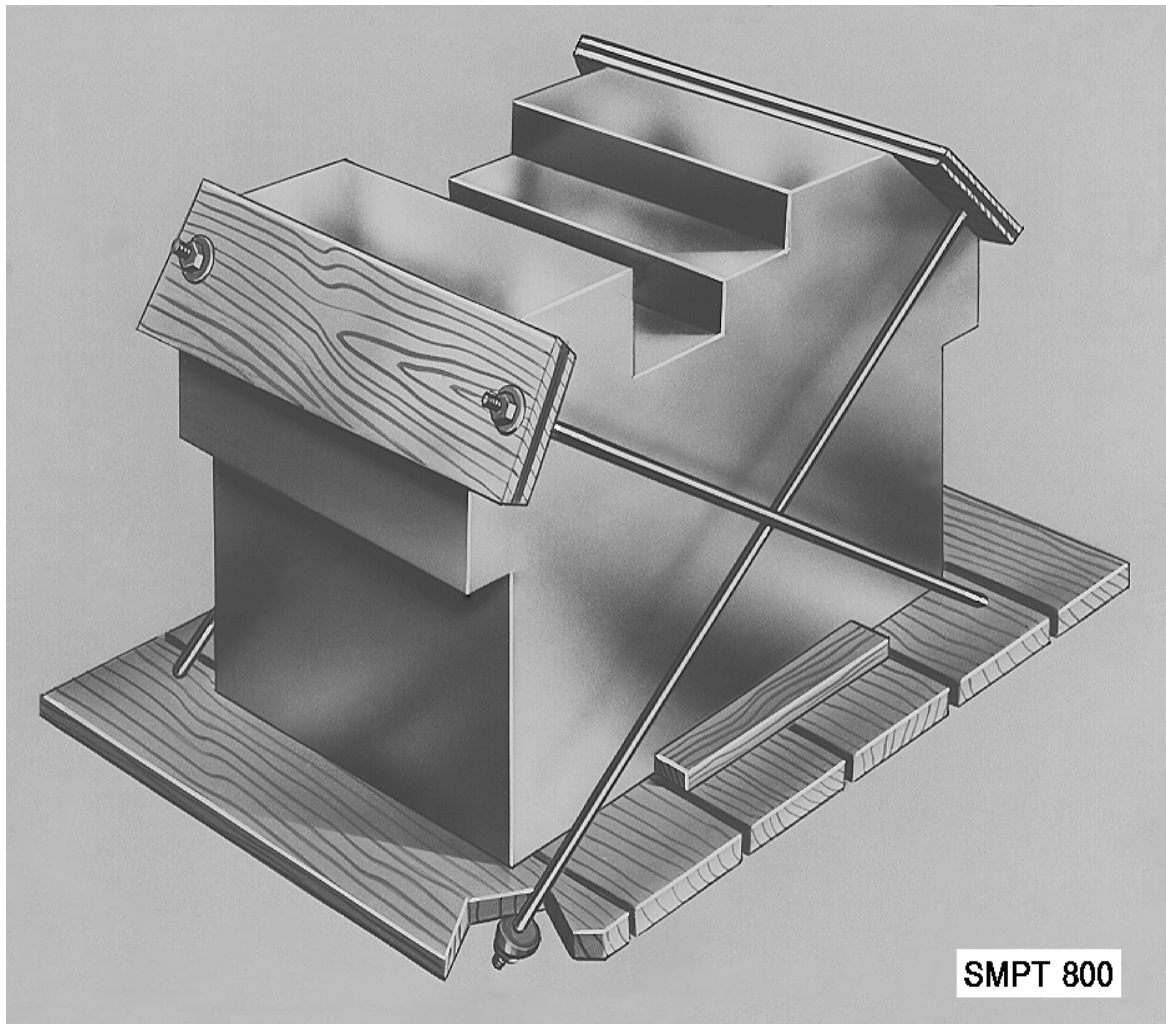


Figure 1-19. Diagonal use of tie rods.

Table 1-5. Suggested allowable lateral loads for bolts-impact loading

Diameter of bolt (inch)	Allowable load (pounds)
3/8.....	35
1/2.....	90
5/8.....	150
3/4.....	200

If precision bolt holes are involved, precautions should be taken to insure that precision fitting bolts of the proper fit and characteristics are used to prevent marring or elongation.

Lag bolts should not be used for blocking and bracing.

Holes bored through containers or mounting bases must be the same size as the diameter of the bolts to be used. When mounting items to container bases equipped with skids, extend the bolts through the skids, whenever practical, and in such instances countersink the bolt in the outer surface of the rubbing strip. Use standard cut washers under the nuts to decrease the possibility of the bolt pulling through the wood. Make sure that the nuts do not come loose in transit by turning the nut securely on the bolt, and either upsetting or nicking the threads of the bolt beyond the nut; applying asphaltum, paint, or lacquer on the threads; using lock nuts; or using cotter pins with the nuts; or lock washers. Metal plates or flat washers are used between lock washers and wood to prevent direct contact.

Bolts and nuts that are not corrosion-resistant must be completely covered with corrosion preventative compounds. The compound must be thoroughly set before the bolts are used.

Where the item has strong frame members fairly close to the face of the container, consider using U- or J-bolts. Whenever feasible, the nut end of the U- or J-bolt should be on the outside of the container. In such cases, it is especially important to upset the threads or otherwise prevent the nuts from loosening.

Use tie rods as extended bolts to secure items when J- or U-bolts are unsuitable. Place tie rods in pairs, either diagonally or vertically as may be necessary. Attach the tie rods to a reinforced point of the container and use them with washers bearing against the wood. Be sure the tie rods pass through the base at an angle which will not cause bending or kinking of the rod. Any kinking will weaken the rods and increase the possibility of failure.

ANCHORING

Anchoring of heavy items should be accomplished by securing the item to a base by tension devices, either by bolts through mounting bolt holes on the item (bolting down); or by metal strapping, cables, tie rods, chains, wire, or other tension devices attached to, or applied over, the item (tiedown or holddown); or by both. The same washer requirement as specified for bolts of equal diameter should apply to tie rods.

ANCHOR BOLTS

Carriage or step bolts should be used. Articles having mounting holes in areas that can withstand rough handling without breakage shall be bolted to either the base of the container or an auxiliary base. The bolt heads of anchor bolts (those holding the item to the container base or the auxiliary base) should be on the outside of the container, otherwise on the underside of the auxiliary base. The heads of all anchor bolts shall bear against a wide washer conforming to FF-W-92, type A or B, grade I, class A, medium size, except that the minimum diameter or minimum size of square bolts shall be as specified in table 1-6 when the member adjacent to the bolt head is wood. Bolts through mounting bolt holes shall form a snug fit, except that precision holes shall be bushed to prevent damage by anchor bolts. In a crate where the item is bolted to a skid-type base, the anchor bolts shall pass through the

skids or through loadbearing members that are bolted to the skids. Bolt holes in wood should be of the same diameter as the bolts. The maximum allowable load for anchor bolts required and the minimum size of wood-bearing washers should be as specified in table 1-6. When the weight of the item exceeds that shown which can be anchored adequately using allowable loads in table 1-6 and all of the available mounting bolt holes on the item, the excess weight shall be taken care of by tiedown provisions specified herein. After the nuts have been tightened, the exposed bolt thread should be painted with asphalt unless locknuts or cotter pins are used. The required size and quantity of bolts used as tie rods or for anchoring the ends of the tiedown tension members should be in accordance with table 1-6. Lag bolts should not be used in lieu of carriage or step bolts.

METAL BRACKETS OR FRAMES

Many items have attachment points which provide facilities for bolting, but often these points are not located on the base, so that brackets must be used to fasten the item to the container. In those situations where tie rods or U- or J-bolts cannot be used, specially constructed brackets, sleeves, or frames made entirely of metal, wood, or a combination of these, are used to act as intermediate connections between the item and the container. These frames or brackets must be designed with sufficient strength and fastening facilities to hold the item to the container securely. Select sleeves that will fit the interior of the container snugly and will have sufficient structural strength to support the load (fig 1-20).

Table 1-6. Maximum allowable loads and minimum sizes of wood-bearing washers for anchor or tiedown bolts.

Diameter of bolt	Wood-bearing washers		Maximum allowable load per bolt		
	Minimum diameter of round	Minimum size of square	Items weighing 200 pounds and less	Items weighing 200 to 3,000 pounds	Items weighing over 3,000 pounds
<i>Inch</i>	<i>Inch</i>	<i>Inch</i>	<i>Pounds</i>	<i>Pounds</i>	<i>Pounds</i>
1/4	1.35	1.00	10	-----	-----
5/16	1.75	1.25	30	-----	-----
3/8	2.10	1.50	50	75	-----
2	2.85	2.10	100	150	300
5/8	3.60	2.65	150	225	450
3/4	4.70	3.25	-----	375	750

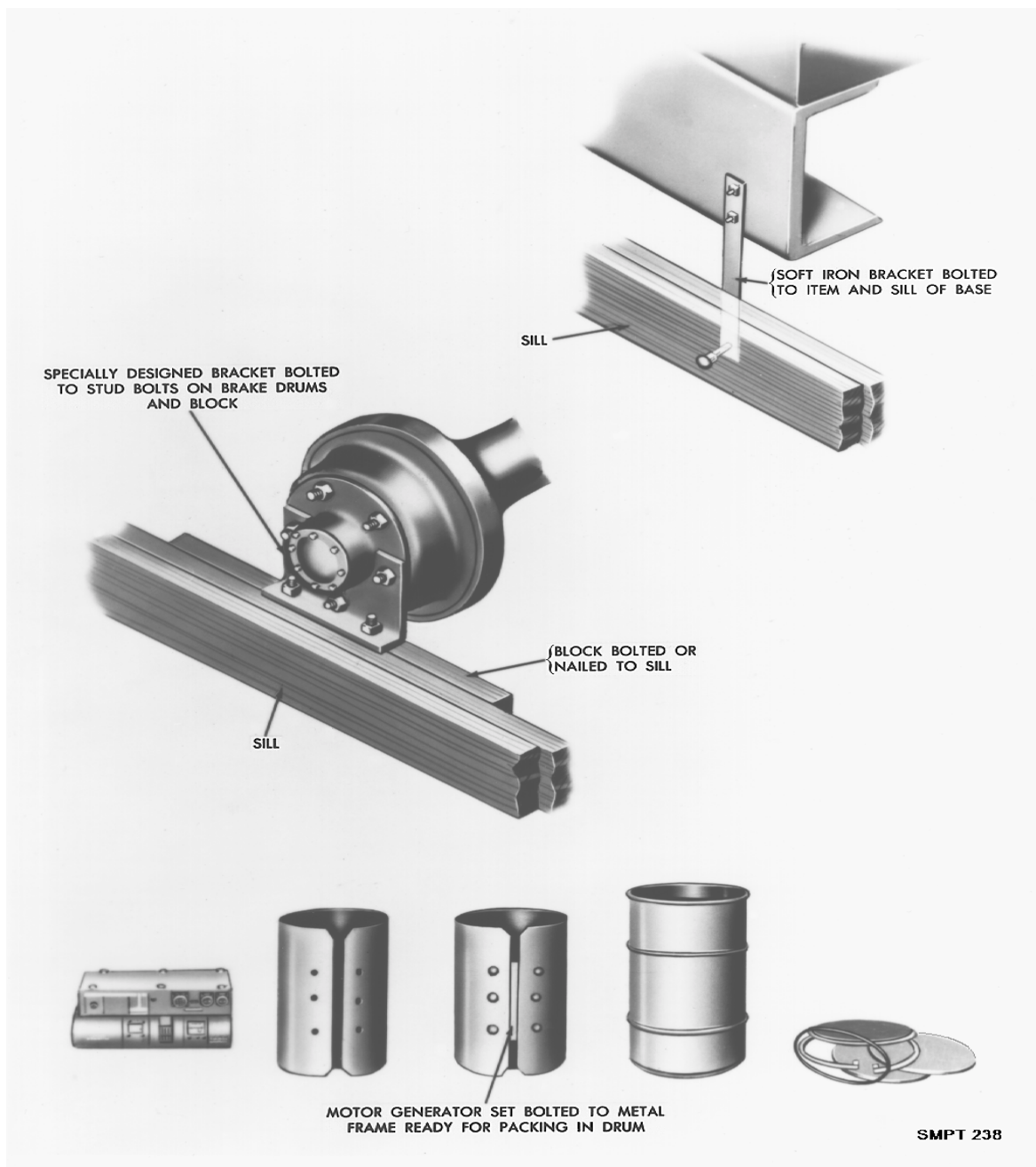


Figure 1-20. Use of metal brackets, frames, and sleeves.

METAL STRAPPING

Metal strapping used to tie down an item to the base or other face of the container or to an auxiliary base should be flat steel strapping material conforming to ASTM D 3953 and ASTM D 4675. Tiedown strapping shall be securely attached to fig 1-20 or looped over the item. It shall be anchored to the container or auxiliary base either by looping around a load bearing member or by utilizing steel slotted anchor plates for flat strapping secured to the container or auxiliary base. Padding material or suitable edge protectors, as applicable, shall be used under the straps to prevent damage to the item. Whenever possible, all strands holding down an item shall be of

approximately the same length. Maximum allowable loads for each strand of tiedown strapping shall be in accordance with ASTM D 4675. Each tiedown strap passed over an item should be considered as one strand. All tiedown strapping shall be tensioned and sealed or tied securely.

STRAPPING PRECAUTIONS

Metal strapping may be the only convenient way in which an item or container can be secured or reinforced (fig 1-21). Metal strapping may be flat steel material. Strapping is tensioned and preferably sealed with specially designed tools. If this is not possible, flat strapping can be held in place with anchor plates. General precautions on the use of metal strapping which applies to flat steel are as follows-

Where possible, the item and its support must be completely encircled. When it is impossible to do this, anchor the two ends of the metal strapping as follows:

- For flat strapping, anchor the two ends of the strap to the container base with anchor plates, or if the strap is designed for nailing, nail the ends of the strap to the container base. Place the nails so that the straps exert a pull at right angles to the nail axis. For round wire, anchor the two ends of the round wire to the container with drivescrews and staples. Loop the wire around the shank of the drivescrew and further anchor the wire by means of staples. Be sure the wood is thick enough to hold the entire length of the drivescrew and that the drivescrew is of adequate gauge to carry the load. When drivescrews are used, place them so that the wire exerts a pull right angles to the drivescrews axis. Apply tension to the strap with a tension tool and seal the strap in the customary manner. Use a one-piece strap wherever possible. Straps should be placed only on those strong portions of the item which can withstand the impact load and weight of the item. Where strapping passes over a sharp edge of the item, use corner protectors, if necessary, to prevent the strapping from becoming fractured.
- Protective materials should be used between the item and the strap if the strap is likely to scratch or otherwise injure the item. Arrange strapping on the container, where possible, to further reinforce blocking and bracing or anchoring of the item within the container. Use annealed strapping only for lighter items, since it stretches more readily than the more highly tempered tension strapping.

MINIMUM LENGTHS OF STRAPS

The minimum total length of straps shown in table 1-7 does not include that portion of material used to make a secure fastening at the ends of each strand but is the sum of, and does include, all lengths of material between such fastenings. Overall lengths of each strand shall be adequate to permit fastening as specified above.

MAXIMUM ALLOWABLE LOADS

The maximum allowable loads are based on available energy of 8,640 inch-pounds per cubic inch of strap in tension and an assumed drop height of 30 inches, as established by ASTM D 3953. If greater loads are to be tied down or if other sizes of strap are used, additional strapping shall be applied on the basis of 300 pounds of load per cubic inch of strap in tension.

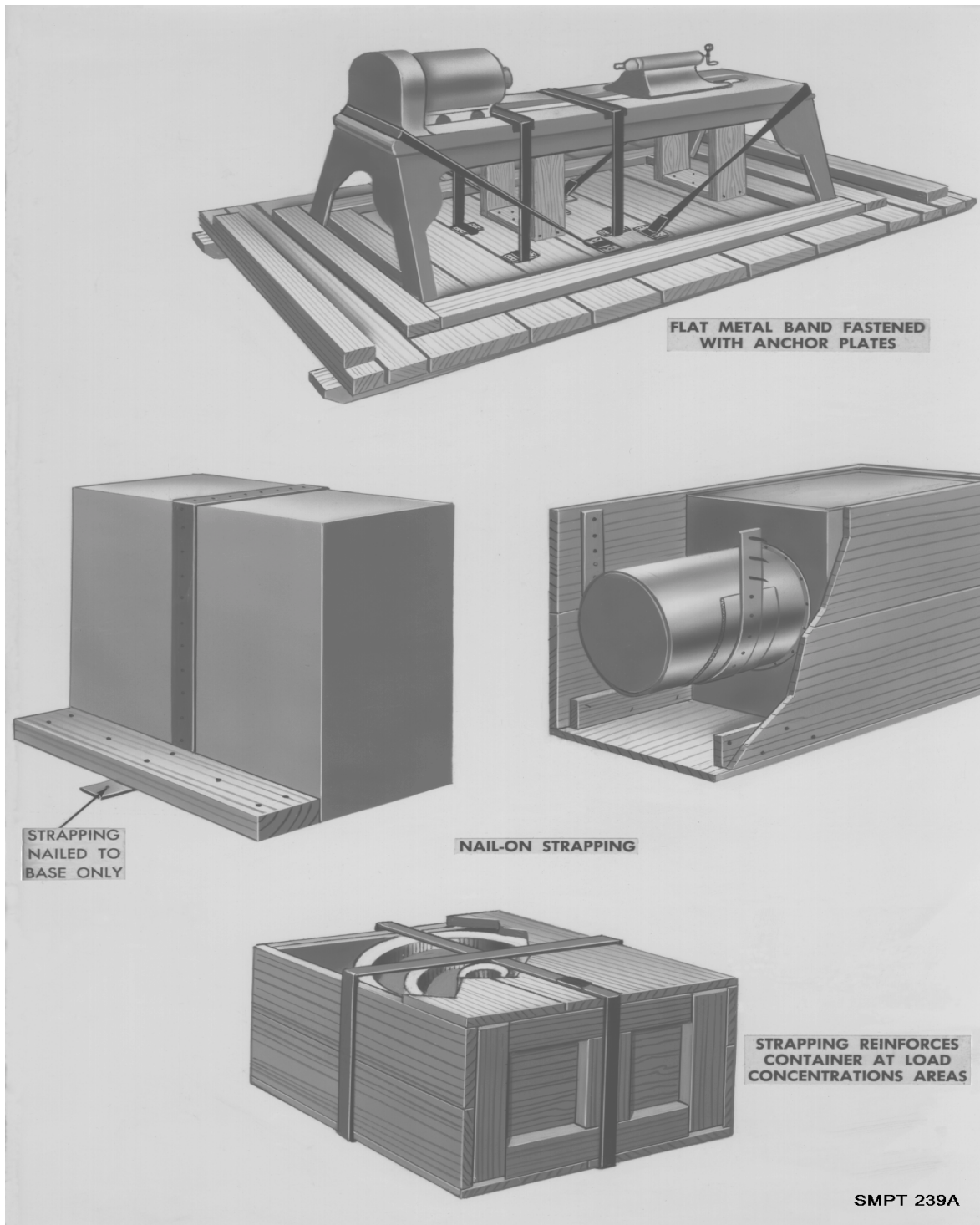


Figure 1-21. Use of metal strapping for bracing and anchoring.

Table 1-7. Tape strips used in handling rigid materials¹

Gross weight of bundle	Type III tape band width in inches (minimum)									
	Number of encirclements (Example: Three encirclements could refer to either three separately located single wrapped bands or to one band which completely overlaps itself three times)									
Pounds	1	2	3	4	5	6	7	8	9	10
Up to 20 incl.....	3/4	1/2	1/2	1/2	1/2	1/2	1/2	1/2	1/2	1/2
Over 20 to 40 incl.....	1	3/4	1/2	1/2	1/2	1/2	1/2	1/2	1/2	1/2
Over 40 to 60 incl.....	1 1/4	1	3/4	1/2	1/2	1/2	1/2	1/2	1/2	1/2
Over 60 to 80 incl.....	1 1/2	1 1/4	1	3/4	3/4	1/2	1/2	1/2	1/2	1/2
Over 80 to 100 incl.....	1 1/2	1 1/4	1	3/4	3/4	3/4	3/4	3/4	3/4
Over 100 to 150 incl.....	1 1/2	1 1/4	1	3/4	3/4	3/4	3/4
Over 150 to 200 incl.....	1 1/2	1 1/4	1	3/4	3/4	3/4
Over 200 to 300 incl.....	1 1/2	1 1/4	1	1	1
Over 300 to 400 incl.....	1 1/2	1 1/4	1
Over 400 to 500 incl.....

¹ If material to be bonded is somewhat flexible, tape widths may be reduced by 25 to 50 percent. In no case should less than 1/2 inch tape be used.

STRAPPING REINFORCEMENT FOR CONTAINERS.

STRAPPING REINFORCEMENT FOR CONTAINERS

In additions to the use of metal strapping as reinforcement for blocking or bracing, its widest use is for reinforcement of exterior wooden containers. Only tempered high tensile strength, flat steel strapping should be used as wood container reinforcement, except in limited instances such as reinforcing of a crate corner where annealed nail-on-type flat steel strapping is employed. For export shipments, bare metal strapping should not be used due to its lack of corrosion resistance. Each military and commercial container specification has a section or an appendix devoted to closure and strapping. It is important that the instruction contained in these publications be observed.

WEB STRAPPING

The use of web strapping to tie down an item to a base, to other faces of the containers, or to built up frame, is NOT considered a good practice. Web strapping has a tendency to shrink or stretch with change in moisture content, thereby losing its ability to hold the item firmly in place. It is hygroscopic, and may cause corrosion to contacting metal surfaces, and it is often difficult to anchor properly.

REINFORCED TAPES FOR PACKING

Various kinds of tapes have been developed with longitudinal filament reinforcing strands to provide high tensile strength. When such tapes are properly applied to containers or bundled items, significant increases in resistance to rough handling are attained. These tapes consist of either a paper or plastic backing, which has been coated on one side with an insoluble pressure-sensitive adhesive, or a gummed adhesive that is activated by a solvent. The high tensile strength of the tape is produced by filaments of

nylon, rayon, glass, or other fibers that have been linearly aligned and embedded in the backing material. When the tape is applied to the container so that the direction of the rough handling stresses are parallel to the embedded filaments of the tape, considerable container strengthening results. Longitudinal tensile strength of these tapes may be over 500 pounds per inch of width. Some of the advantages claimed for their use are that sufficient tensile strength and elastic properties are present to enable a package or pack to be highly resistant to shock loads. The adhesive holds the tape to the area of application and thus prevents slippage during handling. These tapes do not easily snag and do not interfere with stacking and handling of containers. No special equipment is needed for their application. They provide a means of reducing pilferage.

REINFORCED PAPER, GUMMED TAPE A-A-1492, A-A-1671

There are three types and two classes available. Type I (reinforced, asphaltic laminated) and Type II (reinforced, nonasphaltic laminated) are intended for use in so called single strip closure under the Uniform Freight Classification Rule 41, section 7. Types I and II are used for closure of fiberboard boxes for domestic shipment and storage and for securing wrappers of packages. Type II shall be used where the presence of asphalt would have a deleterious effect on the contents, such as food products. Type III is intended for use in general sealing of cartons, fiberboard boxes, and wrappers and for banding paper and paper products. Class 1 (strippable) is used when ease of opening and removal of the tape is desired. Class 2 (non-strippable) is used when removal of the tape from boxes is not necessary for reuse.

FILAMENT REINFORCED, PRESSURE TAPE ASTM D 5330

These tapes are supplied in four types based on tensile strength. Type I (low tensile strength) has a minimum tensile strength of 160 pounds per inch of width. Type II (medium tensile strength) has a minimum tensile strength of 240 pounds per inch of width for Class A, and 300 pounds per inch of width for Class B. Type III (high tensile strength) has a minimum tensile strength of 425 pounds per inch of width. Type IV (high tensile strength, weather-resistant) has a minimum tensile strength of 400 pounds per inch of width. Only Type II has two classes, based on the transparency of the tape. Class A is opaque or nontransparent, and Class B is transparent enough to allow reading of printed matter through one layer of the tape. These tapes are intended for use in securing packages and reinforcing bundles and containers.

REINFORCED TAPE APPLICATION GUIDELINES

Individual container specifications, and appropriate standards should be checked for the proper use of reinforced tapes. Some basic rules that may be helpful are as follows:

- Do not use a wide tape if a narrower tape is strong enough to accomplish the intended purpose.
- If it is anticipated that high humidity conditions or excessive moisture will be encountered in shipment or storage, use tapes with water insoluble adhesives.

The adhesion of tapes to the surface of a container will depend upon the condition of the surface. Hence, in strip applications, the strips should be long enough to provide sufficient adhesion to take advantage of the full potential strength of the tape. This should require at least 6 or more inches

of good contact between the tape and the container surface. The tape length should be equally divided over a seam, scoreline, or other point of application. In using reinforced paper gummed tape (A-A-1492, A-A-1671) for sealing containers shipped under the jurisdiction of the Interstate Commerce Commission, only the center seam of a container needs to be sealed. This is accomplished by using a strip at least 3 inches wide which must extend no less than 2 1/2 inches over each end of the container.

In using filament reinforced, pressure-sensitive tape ASTM D 5330, the following information will serve as a guide in its use. It should be recognized that special conditions will necessitate occasional deviations from these recommendations in the interest of economy or good practice. The filament reinforced, pressure sensitive tapes are intended for use in reinforcing fiberboard or fiberboard surfaced containers, strapping, bundling, and other miscellaneous applications. Type I, characterized by high elongation and low tensile strength, is best suited for strip reinforcement of containers and anchoring moving parts. Type II with lower elongation but high tensile strength, is also suited for closures. Type III, with higher tensile strength and low elongation, is most effectively used in complete wraparounds such as bundling and other forms of circumferential binding. Type IV should be used where weather resistance is required and should be used in the same length as the type it replaces. These tapes should be applied in continuous strips. Typical application are shown in figure 1-22. Tape should be smoothly and firmly adhered to surfaces which are relatively smooth and nominally free from dust, dirt, grease, and moisture. Care should be taken to avoid excessive handling of tape adhesive surfaces, particularly at the ends of the strips. Such excessive handling might contaminate the surface of the adhesive and reduce its ability to bond firmly.

The high tensile strength tapes are also used for bundling of rods, shafts, or tubular objects for easier handling. Table 1-7 shows the correct amounts of Type III ASTM D 5330 tape for use in bundling. The tape should be applied with sufficient hand tension to "snug" the bundle and secure maximum contact between the tape and the bundled items.

CUSHIONING

CUSHIONING DEFINED

Cushioning is the protection given to items against physical and mechanical damage by means of appropriate materials which absorb the energy of shocks and vibrations through a gradual but increasing resistance to the movement of the item. The energy from shocks and impact is absorbed when the cushioning material is compressed, which in turn increases the pressure upon the entrapped air within the cushioning material, resulting in a damping or minimizing of the force to the item.

CUSHIONING VERSUS BLOCKING AND BRACING

The distinction between cushioning and blocking and bracing is that cushioning permits controlled movement of the item within the container, while blocking and bracing usually are designed to prevent movement of the item within the container.

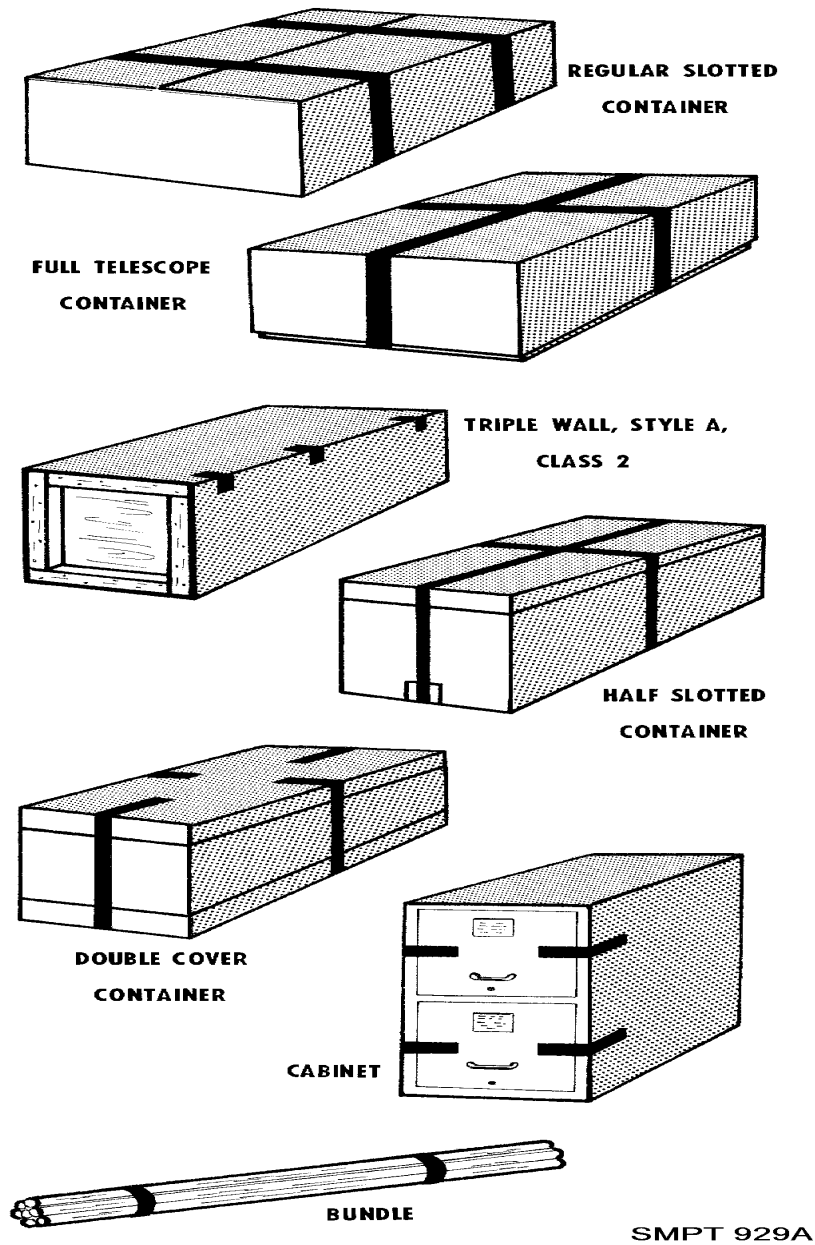


Figure 1-22. Use of filament reinforced tape.

CUSHIONING AND CORROSION

Where applicable, cushioning should be used in one or more of the following ways to provide necessary physical protection. Cushioning materials shall be separated from surfaces which might be corroded at points of contact by either noncorrosive wrapping paper conforming to Specification MIL-P-130 or greaseproof barrier material conforming to Specification MIL-B-121, grade A.

If a noncorrosive cushioning material is used, the wrap is not required. Cushioning materials containing asphalt shall not be permitted to come in direct contact with highly finished, varnished, or lacquered surfaces.

FLOTATION OR SUSPENSION

Delicate or fragile items should be protected against shock and vibration by flotation or suspension within the shipping container by suitable cushioning materials. These materials may be in sheet form applied to give support at top, bottom, sides, and ends of the item. For items in sturdy cabinets, cases, consoles, or packed in an inner box, the cushioning material may be in the form of prefabricated corner pads. Materials shall be bound fiber conforming to PPP-C-1120; fiberboard conforming to ASTM D 4727; cellulosic material conforming to A-A-1898; expanded polystyrene conforming to PPP-C-850; prefoamed polyurethane conforming to MIL-P-26514; foam-in-place materials complying with MIL-F-83671; or such other materials as specified in the procurement documents.

ABRASION PROTECTION

Protection against abrasion should be provided for highly finished or easily marred surfaces by wrapping or covering with cushioning material. Surfaces damaged by contact with cushioning material should be separated by a covering of noncorrosive paper conforming to MIL-P-130 or MIL - P-17667 or greaseproof barrier material conforming to MIL-B-121, Grade A.

COATINGS AND BARRIERS

Protection should be provided for strippable compound coatings and for greaseproof, waterproof, or water vaporproof barriers at points of contact with blocking, bracing or projecting members of containers. Cushioning materials should be applied to reduce the static pressure at points of contact of 30 pounds or less per square inch.

MOISTURE RESISTANCE

Unless otherwise specified in the product specification, cushioning material conforming to A-A-1898 should be of the water resistant type.

DUSTING

Cushioning materials that are not dust producing should be used for packing items that are adversely affected by dust, unless a dustproof barrier is used to prevent dust from reaching the item.

FACTORS INFLUENCE CUSHIONING SELECTION AND USE

Shock resulting from rough handling or dropping of a shipping container is the usual cause of mechanical damage to the contents. The purpose of package or item cushioning is to reduce the intensity of the shock reaching the packed item to a level which the item can withstand. Factors influencing cushion design are the fragility and weight of the item, the load-bearing area of the cushion, the dynamic, force deformation characteristics of the cushioning material, and the equivalent height of drop (usually 30 inches) for which protection is desired. Among these, the fragility and weight of the item are fixed values for any particular item. The load-bearing area of the cushion can be altered by suitable blocking or by packing the item in an inner container, if desired.

CONCEPT OF CUSHIONING

Cushioning is the protection from physical and mechanical damage afforded an item by means of compressible and resilient materials, known as cushioning materials, designed to absorb the energy of shocks and vibration caused by external forces. Details on "Package Cushioning Design" may be obtained in MIL-HDBK-304.

FUNCTIONS OF CUSHIONING

In order to properly utilize the many cushioning materials available in the military supply system, it is necessary to understand the functions of cushioning. Among these functions (fig 1-23) the more important are--

- Controls movement and prevents damage caused by vibration. Cushioning, when properly applied, controls the movement of the item within the barrier or container and dampens vibration.
- Protect fragile or delicate components. When fragile or delicate components form a part of an otherwise rugged item, they may be disassembled and packaged separately. If disassembly is not permitted and they must be left in place, cushioning is applied to give them protection.
- Prevent rupture of barriers and containers. Many items have sharp corners or projections which could puncture the barriers or containers in which they are packaged, resulting in the entry of moisture or water. Cushioning is applied to these projections or corners to insure that waterproof or water-vaporproof barriers are not rendered useless by such damage.
- Distribute forces. Cushioning materials reduce the shock to an item by distributing forces over a large area, thus lowering the stress concentration at any one point on the surface of the item.
- Prevent abrasion. Items with highly finished surfaces which may be marred by blocking, strapping, contact with container surfaces, or contact with other items in the container, must be protected against abrasion by cushioning. Usually, lesser amounts and thickness of cushioning materials are employed to accomplish this cushioning function.
- Absorb shocks. Perhaps the most frequent and important use of cushioning is to absorb the energy resulting when an impact shock strikes a container. This shock energy is absorbed as the cushioning material is compressed by the impact.

MULTIPURPOSE CUSHIONING

The foregoing functions of cushioning should not be considered separately because cushioning is often used for more than one purpose in the same package. Material selected to protect an item against shock may at the same time minimize movement, prevent abrasion, protect barriers, and cover sharp projections. Many cushioning materials also act as good insulation to protect items against drastic temperature changes. Cushioning may be required to absorb liquids and consequently must have liquid-absorbing qualities to prevent liquid flow in case of breakage of the containers.

REQUIREMENTS FOR THE USE OF CUSHIONING MATERIALS

In addition to the requirements established in cushioning specifications in regard to material quality, construction, and performance, other important requirements must be met when cushioning materials are used within waterproof or water-vaporproof barriers. Sound packaging design practices dictate placing only the minimal required amount of cushioning material within water-vaporproof barriers, thereby minimizing the barrier area and the desiccant requirements. In addition,

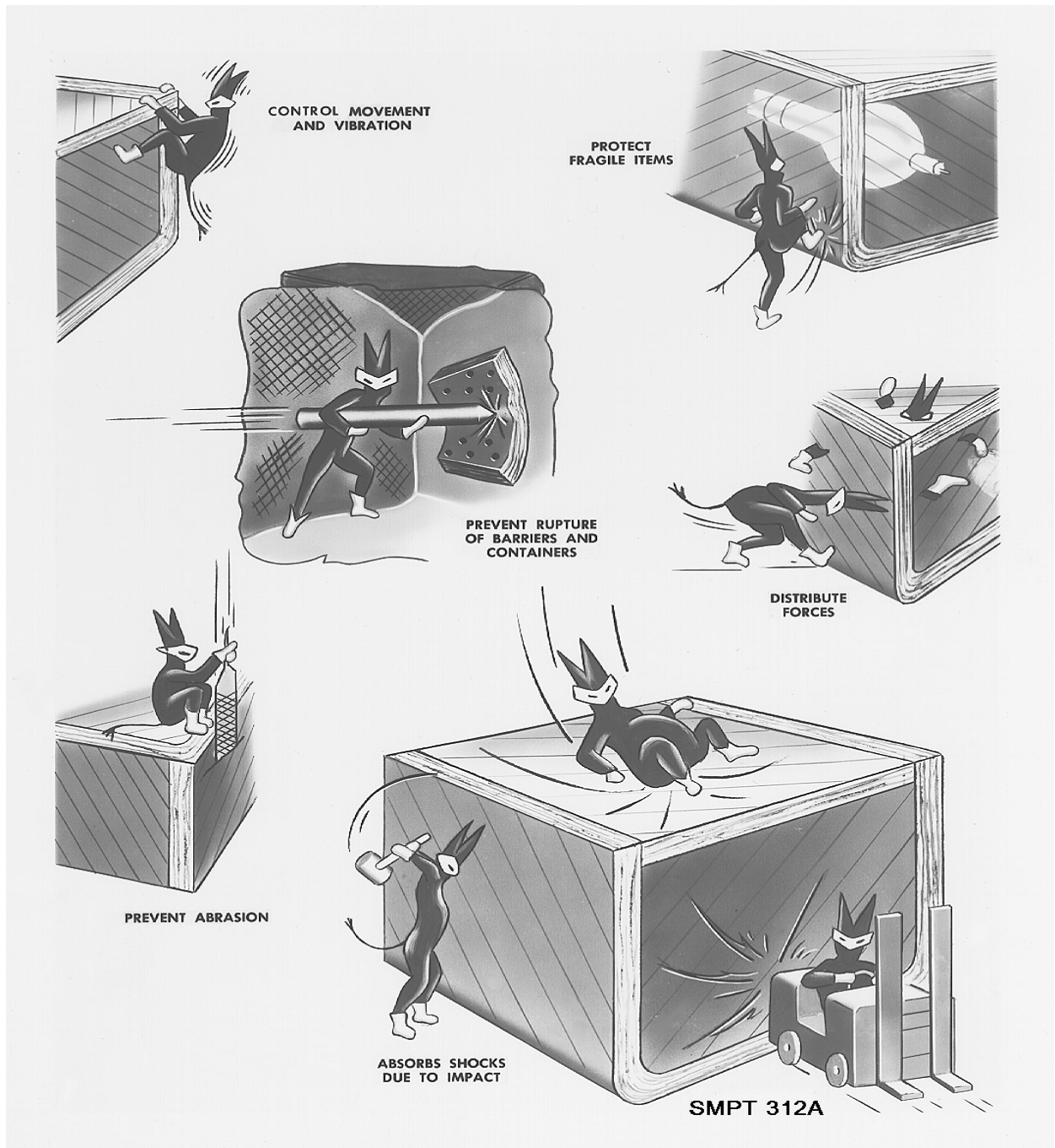


Figure 1-23. Functions of cushioning.

- Cushioning shall be as dry as practicable.
- If the item is coated with a preservative, the preserved item must first be wrapped in a barrier conforming to MIL-B-121, Grade A, QQ-A-1876, or MIL-B-22191, Type I or II, before applying the cushioning material.

CUSHIONING SELECTION FACTORS

There are several factors that must be considered in selecting the appropriate cushioning material for a given application. The nature and physical limitations of the item, the favorable and unfavorable characteristics of the

cushioning material, the destination of the packages, and the means of transportation must all be taken into consideration before an item can be properly cushioned.

NATURE OF THE ITEM

In planning to cushion an item, the nature and physical limitations of the item must first be considered. The shock resistance, size, weight, shape, surface finish, and the degree of disassembly permitted will influence the way an item is to be cushioned (fig 1-24).

SHOCK RESISTANCE OR FRAGILITY

Fragility may be observed, but cannot be measured accurately by eye. The tendency is to overcushion seemingly fragile items and to undercushion seemingly sturdy items. Fragility--the greatest amount of dynamic force an item can withstand without destruction--can be measured with scientific instruments. The term "G-factor" has been accepted as indicating the shock resistance of an item. This resistance is determined by measuring the peak acceleration (deceleration) an item will withstand during impact and dividing this acceleration value by the acceleration due to gravity (32.16ft/sec/sec). This is expressed as--

$$\text{G-factor} = \frac{\text{Acceleration of the Item}}{\text{Acceleration due to Gravity}}$$

The G-factor values of many military items are being determined. In the absence of known G-factor values, the selection of cushioning must be based on experience with previous shipments and testing of similar items, or by assuming a G-factor for drop test purposes.

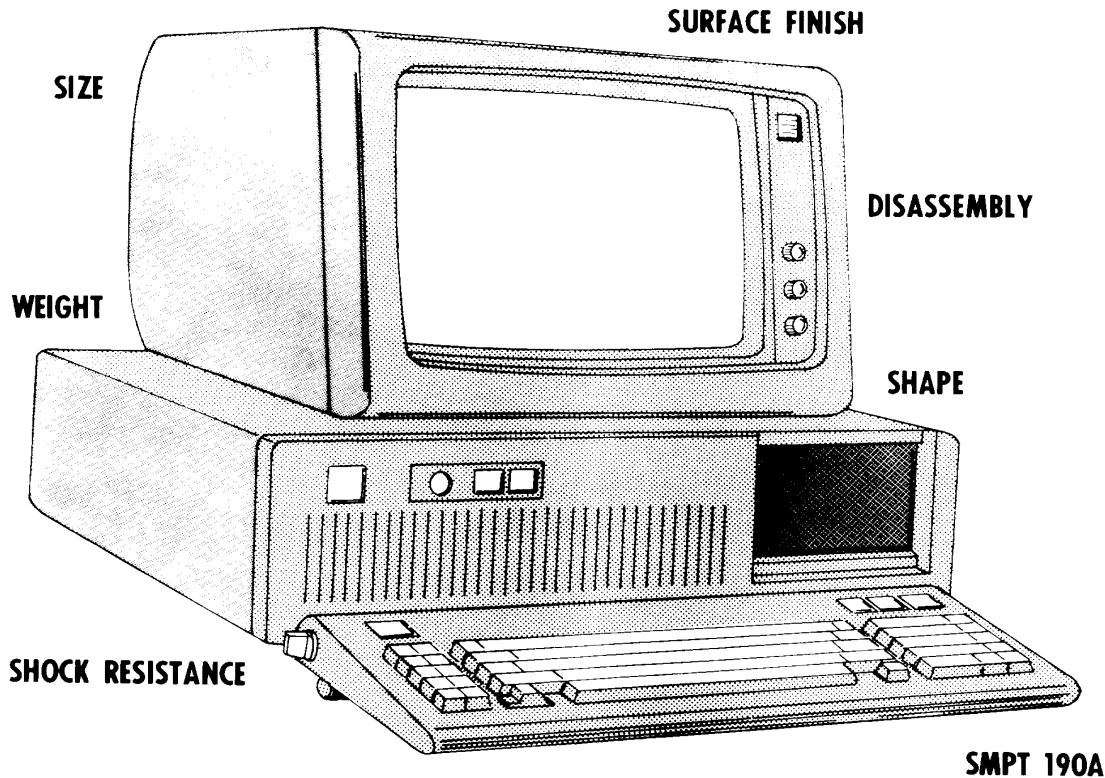


Figure 1-24. Item characteristics determines the selection of cushioning materials.

SIZE

A large item may require a thinner layer of cushioning than a smaller item of the same weight because there is less load per square inch applied to the cushioning. This should be kept in mind when an item is irregular in shape—more cushioning may be required at the small end than at the large end.

WEIGHT

Weight in motion results in force, and force can cause damage. Thus, the weight of an item controls the thickness, quantity, and firmness of the cushioning material to be used. Generally, the heavier the item, the firmer the cushioning must be.

SHAPE

A regular-shaped item will ordinarily fit snugly into a container with a minimum of cushioning, while an irregular-shaped one may require a complicated arrangement of pads and cells or foamed-in-place cushioning to bring it to a more regular shape. Light, small items which are irregular in shape can be made regular and at the same time positioned and held in the container merely by a wrap of cushioning material. Large, irregular items may make it impractical to use cushioning materials to make them regular. Blocking and bracing will have to be employed to adequately protect such items.

SURFACE FINISH

An otherwise sturdy item may have highly finished surfaces which could be damaged by the rubbing action of harsh abrasive cushioning material, or the surfaces may be corroded and pitted by chemical action due to the presence of moisture and acidic or basic elements in the cushioning material.

CHARACTERISTICS OF CUSHIONING MATERIALS

The chemical and physical properties of cushioning materials are many and may display both desirable and undesirable characteristics. These characteristics vary in importance for different applications. What might be a highly desirable characteristic in one application, may be detrimental in another. For instance, high moisture absorbency is required for packaging liquids, but is not desirable when packaging corrodible metal items.

Compression set (fig 1-25) is the difference between the original thickness of a cushioning material and the thickness of the same material after having been released from compression under a standard load for a given period of time. This is important in determining whether a cushioned item can remain in storage for an extended period of time without causing the cushioning to lose its resiliency. Permanent compression set is undesirable when it creates free-moving space in the container.

Resilience (fig 1-25) is the ability of a material to absorb a series of shocks and return to its original shape and thickness after each shock. Few materials are completely resilient and this quality is often greatly altered by changes in temperature. Rubber, for instance, is highly resilient in temperate zones, but loses its resilience under extreme climatic conditions. Rate of recovery (fig 1-25), or the time it takes for a cushioning material to return to its original shape after compression, is also important as some materials have too rapid a rate of recovery and "spring back" so quickly that damage to the item may result.

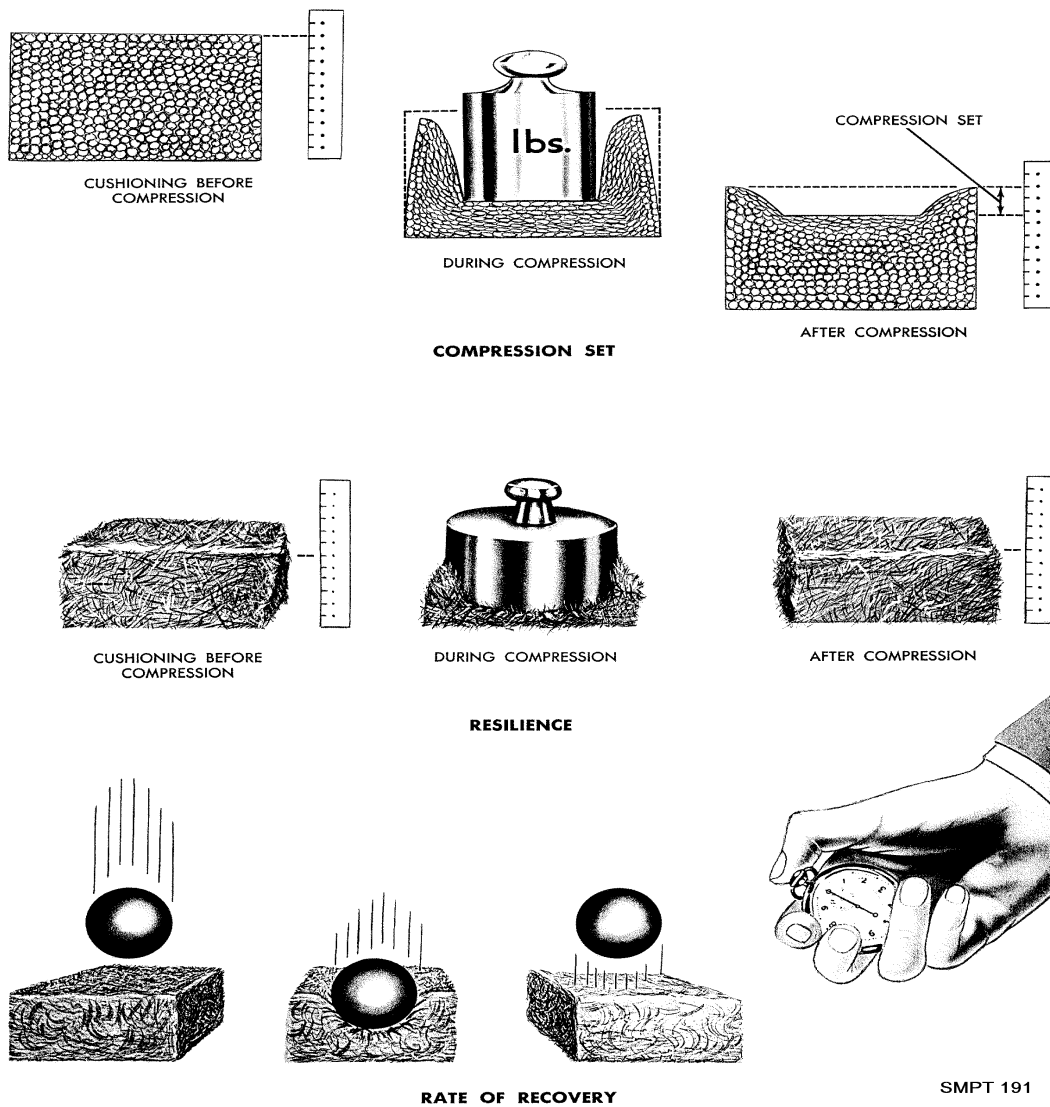


Figure 1-25. Characteristics of cushioning compression set, resilience, and rate of recovery.

Dusting, which results from the breakdown and disintegration of certain materials used for cushioning, allows small particles to become detached and work into crevices and critical working surfaces of the cushioned item (fig 1-26).

The corrosive effect of some cushioning materials is undesirable when packaging items with critical surfaces. When this cannot be avoided, the item must be shielded from such materials by a neutral wrap or liner. Cushioning materials with a high acidic or basic content must not be enclosed within waterproof or water-vaporproof barriers (fig 1-26). When cushioning material contains natural hair, it shall be treated with insecticide to prevent carpet beetle infestation.

Fungus resistance of some materials is low and allows for the growth of mold, mildew, and other fungi. Many materials can be treated to inhibit such growth. However., such treated materials are often very corrosive to metal surfaces and must be isolated from them (fig 1-26).

The abrasive characteristics of some materials are factors which must be considered when protecting precision surfaces such as the lenses of optical instruments. Some cushioning material are soft-textured and generally can be placed in contact with easily marred surfaces. Coarse textured materials should not be used on such surfaces (fig 1-27).

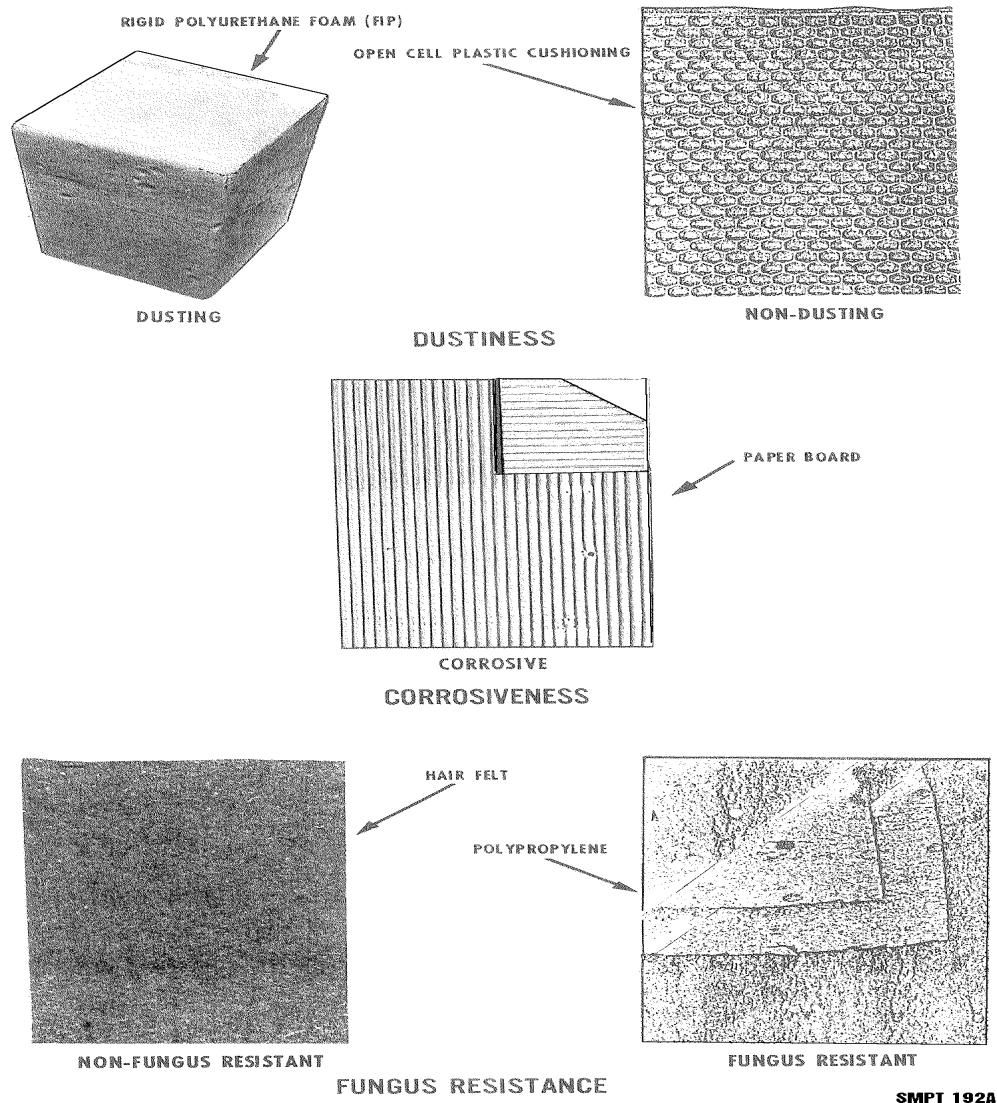


Figure 1-26 Characteristics of cushioning dustiness, corrosiveness, and fungus resistance.

Low temperature performance of certain cushioning materials makes them suitable for use in high altitude transport and in shipments to cold regions because they remain relatively soft and resilient (fig 1-27).

Other characteristics which should not be neglected in choosing cushioning materials are fire resistance or flammability (fig 1-27), and the possibility of the materials causing skin irritation to personnel who come in contact with it.

Destination of the Item

The destination of the item is a factor in cushioning. Many cushioning materials change their characteristics under extreme climatic conditions. Some materials become so rigid or brittle at extremely low temperatures as to make them useless as cushioning materials. In tropical climates, some materials soften and lose their cushioning qualities. In jungles or rainy locations, some materials will pick up excessive moisture which will result in the loss of resilience and will lead to growth of fungus and accelerated corrosion.

Means of transportation. The means of transportation must not be overlooked. Hazards and handling situations vary greatly between air, motor, rail, and ship. For example, there may be considerable difference between the amount of handling that an item being transshipped from truck, to rail, to ship would get and one that is being shipped by air freight. Likewise, an item to be delivered by air drop would require different protection from one that would be delivered by truck.

REPRESENTATIVE CUSHIONING MATERIALS

Cushioning Material, Uncompressed Bound Fiber (PPP-C-1120)

This material may consist of any suitable natural hair, vegetable fiber, or synthetic fiber bound with an elastic material. Horsehair, sisal, and cactus fibers sprayed with latex are examples. It is furnished in five types and two classes and three grades. Type I is soft, Type II is medium soft, Type III is medium firm, Type IV is firm, and Type V is extra firm. When specified, each type shall be identified with a color matching as closely as possible to colors shown in Federal Standard 595, as follows: Type I, brown; Type II yellow; Type III, orange; Type IV, red; and Type V, black. Class A is water-resistant and Class B, a commercial class, is not necessarily water-resistant. Grade 1 is a flame resistant material; Grade 2 provides low temperature characteristics; and Grade 3 is a standard material. This material may be supplied as uncompressed sheets and rolls and in molded shapes to fit the contours of the item. The materials have a high degree of resilience, low compression set, fair damping quality, and do not disintegrate easily. They are neutral and have a low water-soluble acidity so that their corrosive effects are slight. Moisture content and moisture absorption are both low; however, the materials may need to be treated for fungus resistance. Their performance is good at low temperature. They are intended to protect items against vibrational and impact shocks where resilient and water-resistant cushions are required.

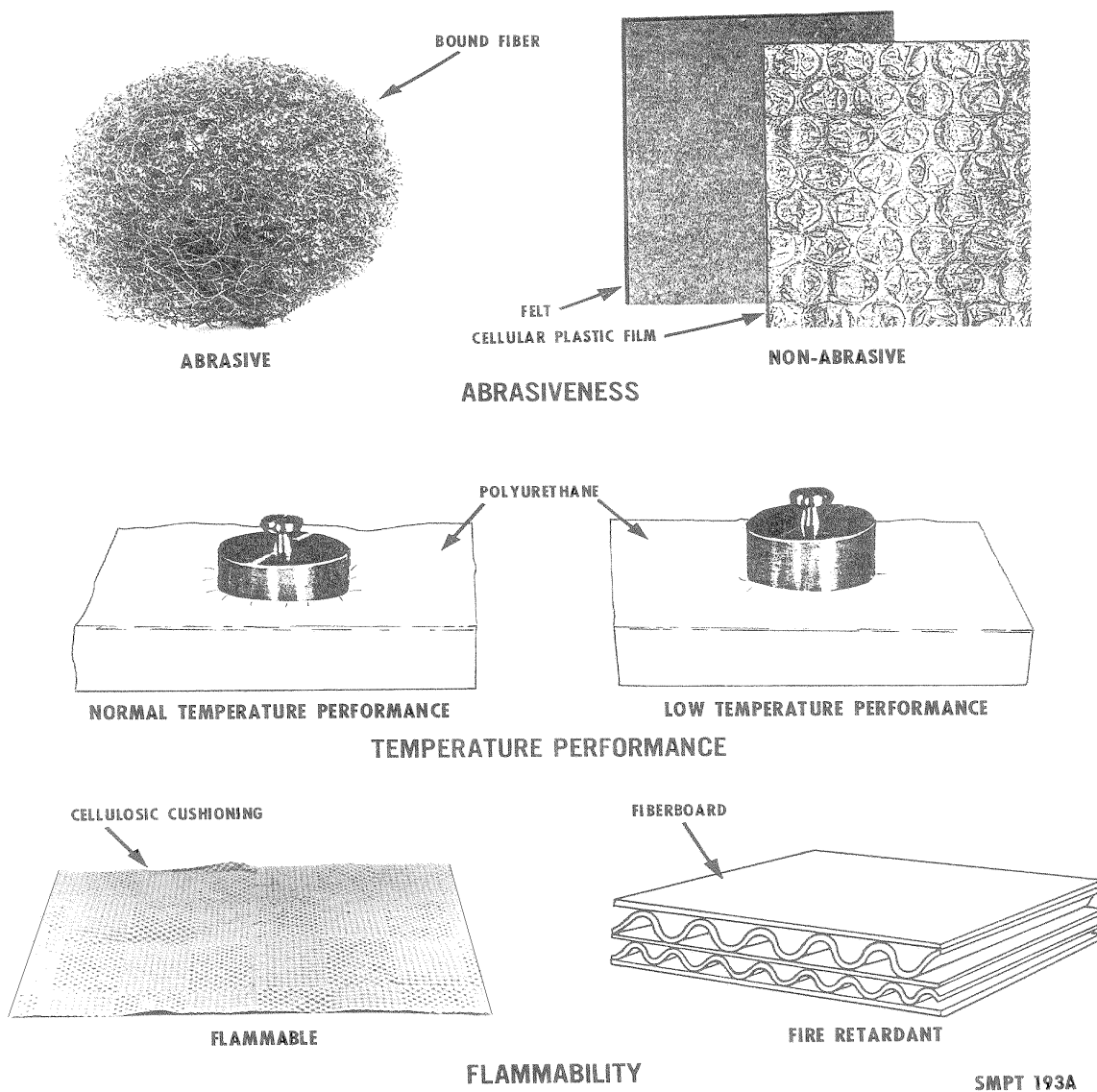


Figure 1-27. Characteristics of cushioning abrasiveness, temperature performance and flammability.

Cellulosic Cushioning Material (A-A-1898)

This material may be made of any kind of cellulosic matter which will result in a product meeting specification requirements. The cellulosic matter used may be cotton, bonded fibers, natural fibers, or creped wadding. The material is furnished in two types--Type I, water absorbent, and Type II, water resistant. It is available in three classes--Class A, low tensile strength, Class B, high tensile strength, and Class C, very high tensile strength. Cellulosic cushioning material is readily moldable and fairly resilient. Its compression set is high, its damping ability excellent, but dusting is great enough to require an excluding wrap around items susceptible to dust damage. Its performance in cold temperature is good. This material is intended for use in packaging lightweight, fragile items; as a protection against abrasion; and Type I, specifically, for absorbing liquids from containers broken in transit.

Solid And Corrugated Fiberboard (ASTM D 4727)

Both solid and corrugated fiberboard are used in cushioning, but corrugated is more frequently used because it has greater cushioning value. The most common forms of fiberboard applications are die-cuts, open end cells trays, pleated pads, and flat pads (fig 1-28). Generally, cells and trays should be held in shape with tape. Those surfaces of the cell or tray which are perpendicular to the contacting surface of the item are called bracing supports and are load bearing members. To utilize all of the strength of these bracing supports, they should bear directly on the item. Pleated pads have greater resistance to breakdown than open end cells because the load is spread over a large area rather than bracing supports. Therefore, they should be used to cushion heavier loads (up to 2 pounds per square inch). Flat pads are used to block shallow projections, to level off projecting screw heads, and to separate items within a container. They can be slotted to form partitions, or may be die-cut or punched to fit articles or irregular shape. Application of fiberboard cells, trays, and pads is illustrated in figure 1-29.

Unicellular Polypropylene Foam (PPP-C-1797)

This material is a low density, resilient, unicellular (closed cell) polypropylene foam material for use in cushioning and packing applications in the form of rolls or flat sheets. Type I electrostatic discharge is required. It is useful throughout a temperature range from minus 65°F to 160°F. It is intended for use as a cushioning wrap for low density items. The foam can be laminated to a wide range of products including paper, paperboard, and may be used for the protection for optical lenses, equipment with critical surfaces, electrical and electronic equipment, glassware, ceramics, and magnetic tape rolls. When stored in closed containers it produces no trapped volatiles which could cause fire or explosions. Polypropylene, by its nature, is unaffected by most exposures to grease water and most acids, bases and solvents. It contains no plasticizers, solvents, or lubricants.

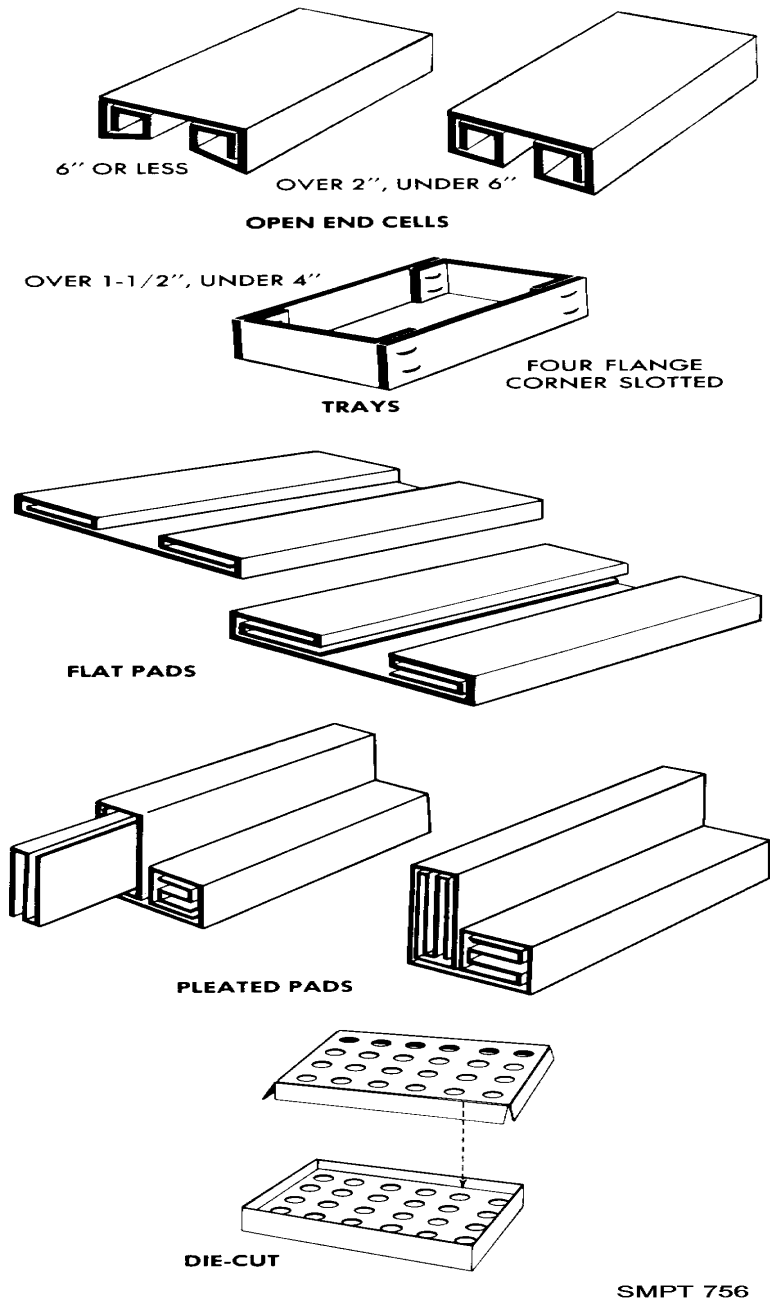


Figure 1-28. Examples of fiberboard trays, opened end cells, pads, and die-cuts

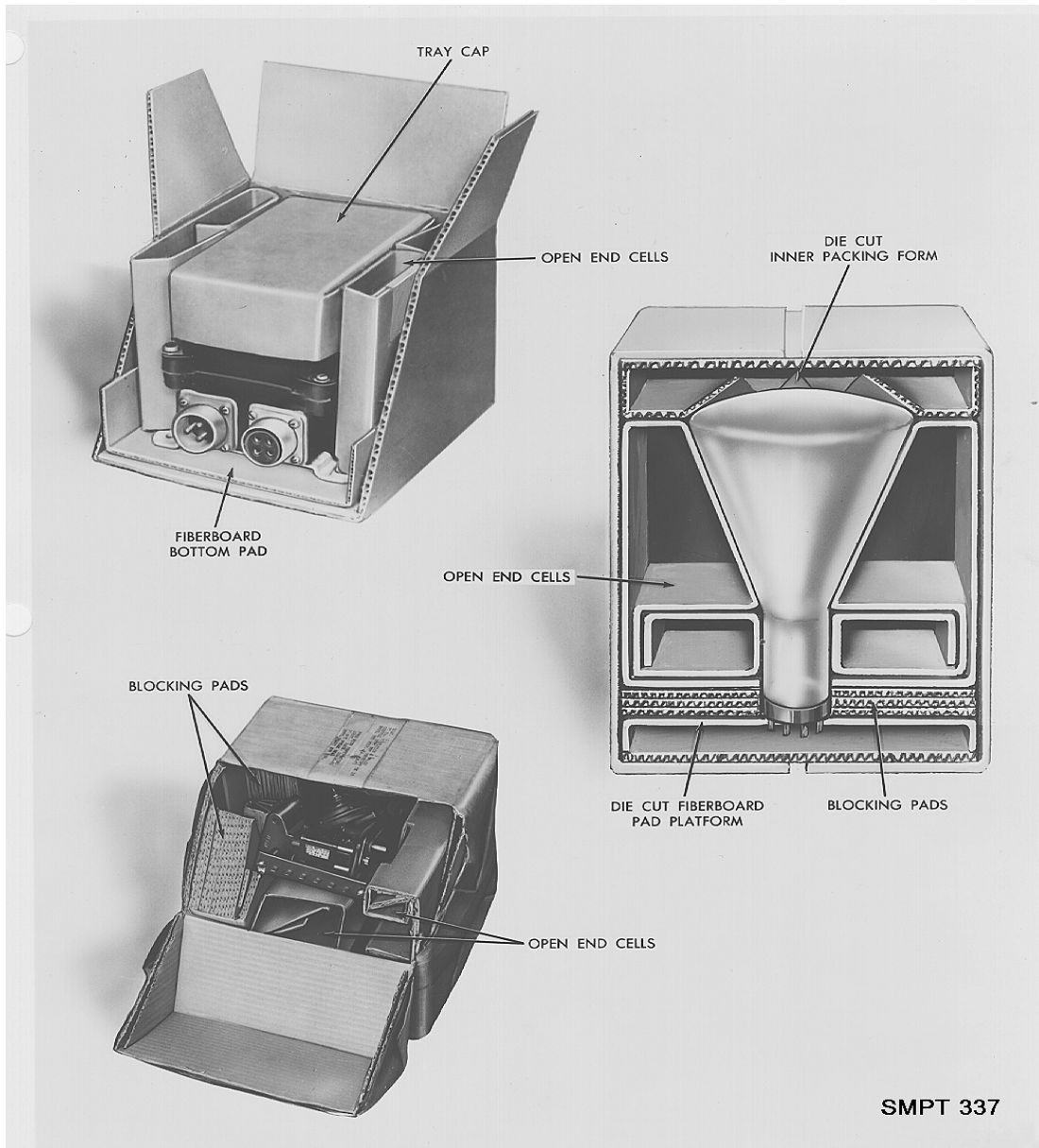


Figure 1-29. Application of fiberboard die-cuts, open end cells, trays, and pads.

EXPANDED POLYSTYRENE (PPP-C-850)

This resilient cushioning material consists of expanded polymers or copolymers of styrene for use in packaging applications. It is furnished in two types. Type I is in sheet form and Type II is in roll form. Both types come in four classes and two grades. Class 1 is soft, class 2-medium, class 3-firm, class 4-extra firm. Grade SE is self-extinguishing. This cushioning material is used within packages to protect items from damage due to shock, vibration, abrasion, and concentrated forces during handling and shipment. It is especially suited where a high degree of energy absorption is required in a minimum space and with a minimum weight of cushioning. It can also be used to provide temperature insulation or when cushioning material must perform at extremely low temperature.

CUSHIONING, WRAPPING PAPERBOARD (A-A-1051)

This is a paperboard composed of a corrugated sheet or a solid molded pulp sheet firmly cemented to a backing flat sheet of unbleached sulfate fiber paper. The paperboard is furnished in two types--light and heavy-duty, and in two styles. Style 1 material must have a backing sheet. The backing sheet is optional for Style 2. It is furnished in sheets or rolls, as desired. Both styles are flexible in all directions. This material has high compression, low resilience, excellent damping, and some dusting. The moisture content and moisture absorption are high. The moisture is not neutral and hence has a high corrosion effect. Its performance in cold weather is poor, and it is neither fungus nor flame resistant. Critical metal items must first be wrapped in a chemically neutral or greaseproof barrier.

RIGID OR FLEXIBLE POLYURETHANE FOAM (MIL-PRF-26514)

This material consists of both rigid and elastic types of foamed products obtained through the proper blending of complex synthetic chemical compounds. By proper combinations, reaction mixtures can be poured or pumped into various shaped cavities. Volatilization of the blowing agent causes rapidly stiffening resin to expand, completely filling the space. The material then sets rapidly to a lightweight, cellular structure that has excellent cushioning properties. The material is furnished in a form suitable for foaming in-place application or it may be performed and supplied in rolls, sheets, or molded shapes. Strong rigid foams, tough elastic foams, soft flexible foams, and spongy water absorbent foams can be obtained by the different choices of ingredients. Foams with densities as low as .5 pounds per cubic foot may be obtained. These foams can be adjusted to give a high or low compression set, excellent or poor damping, and high or low resilience. In other words, the material can be tailor made to meet the requirement of any type of cushioning required. There is no dusting problem; moisture content is negligible. The material is flame and fungus-resistant, and it performs well in cold climates. For further details regarding procedures and equipment used with polyurethane foam, see MIL-HDBK-775 and MIL-F-87075 respectively.

LATEX FOAM SPONGE RUBBERS

These materials are made by incorporating into the rubber an inflating agent such as baking soda, that gives off a gas which expands the mass during the vulcanization process. The rubber is made from slab rubber into sheets, strips, molded or special shapes. These materials may be supplied in cored or uncored types; soft, medium, firm, and extra firm, classes; and in flame resistant and nonflame-resistant grades. The materials have a very high resilience, low compression set, fair damping properties, high moisture content, and high moisture absorption. They produce some dusting. If kept dry, the corrosive effects are slight. Their low temperature performance is poor. The materials have a high density and are expensive to use. The molded forms are often used in conjunction with reusable containers and the initial cost is reduced by the amount of reuse obtained.

PLASTIC FILM, HEAT SEALABLE, FLEXIBLE, CELLULAR (PPP-C-795)

This material is constructed of a composite of two or more sheets of plastic film, one face having uniformly distributed closed cells (bubbles), the other a flat surface. It is available in three classes: class 1-regular; class 2-antistatic, tinted; and class 3-fire retardant. All are used as cushioning for packaging applications. Material is furnished with various cell sizes (air bubbles). It is intended for use within packages to protect items from damage due to shock, vibration, concentrated forces, corrosion, contamination, and abrasion during handling and

shipment and is especially suitable for use as inserts within transparent bags. The use of class 1 material, due to its transparency, permits inspection of the contents without opening the pack. The flexibility of the material permits it to be used as pads, bags, wraps, dunnage, or as a filler. Class 2 material protects sensitive electronic devices from electrostatic discharge damage. When fire-retardancy is required, class 3 material is selected.

Note: Many of the materials made under this specification are laminates of chlorinated plastic and polyethylene. Chlorinated organic materials give off vapors of hydrogen chloride which can combine with water to form highly corrosive hydrochloric acid.

UNICELLULAR POLYETHYLENE FLEXIBLE FOAM (PPP-C-1752)

This specification covers six types and four classes of cushioning material. Type refers to the density range of the material. For example, type VII has a density of .9 to 2.0 pounds per cubic foot while type V has a density range of 6.0 to 10.0 per cubic foot. The class generally describes the form the material takes and may be solid or laminated planks, sheets, cut shapes, rounds, or molded shapes. In addition, type VII, class 4, materials are antistatic. Temperature performance has a useful range of minus 65° to plus 165°F. Compression set is low and the materials are noncorrosive, nonabrasive, and virtually dust free.

OPEN CELL PLASTIC CUSHIONING (PPP-C-1842)

This material is made of one sheet of plastic film or a composite of two or more sheets of film, formed into a network of uniformly distributed open cells. The cells may be a hexagonal or fluted shape, depending upon whether a facing or reinforcing top film laminate is required. The hexagonal form is used when a reinforcing top laminate is applied to the open face of the cells. The fluted form is used when a facing is applied to the crowns of the formed cells. The resulting material is lightweight, transparent, flexible, and heat sealable. There are three types; Type I, hexagonal; Type II, fluted; and Type III, hexagonal, electrostatic free. The two styles describe whether or not the material has a top laminate or facing. All three types are available with or without a top laminate or facing and are furnished in rolls or sheets. The material is noncorrosive, nonabrasive, has low compression set, and performs well at low temperatures. The cushioning is intended for use within packages as inserts within transparent bags, wraps, dunnage, and filler.

METHODS OF CUSHIONING

Cushioning is generally accomplished by one of the following methods:

- Floated item. The item is floated in cushion material and placed within a unit container (fig 1-30). This is perhaps the method most commonly used for cushioning small, lightweight, fragile items against shock, vibration, and abrasion. Dryness and noncorrosiveness of cushioning materials are most important since both the item and the cushioning material will be inclosed in the unit container. Greaseproof barriers are required if the item is preserved. Cushioning materials must be secured about the item. Loose cushioning may result in either the displacement of the material when the pack is subjected to shock, its disintegration under repeated vibration, or the production of dust or loose particles which will be entrapped within the pack. Since a container may be dropped on any of its faces, edges, or corners, the cushioning material must be designed to withstand the full impact of the entire weight of the item in any direction.

- **Floated Pack.** The item is packed in an interior container which in turn is floated in cushioning materials (fig 1-30). This method is generally used in connection with semifragile items of medium size and weight. The item is initially packed (which may include cushioning or blocking) in an interior container, then floated in cushioning and placed into an exterior container. In this method, the noncorrosiveness and moisture content of the cushioning materials are not critical since the materials will not come in contact with the item. The use of absorbent cushioning materials, when used in this method, should be governed as follows:

When both the interior and exterior containers are water-resistant, the cushioning material may be simply placed between the two containers. When either container is nonwater-resistant, the cushioning material must be placed in the form of packs wrapped in a water resistant barrier material. An alternative for the second case is to provide the interior container with a sealed water-resistant wrap and the exterior container with a sealed liner. The cushioning material is then placed between the two barriers.

SHOCK MOUNTS

The item is cushioned by means of shock mounts. This method is used to cushion fragile items and sensitive instruments or mechanisms that can be damaged by shock and vibration. The weight and size of the item may vary from light and small to heavy and large. The shock mounts may consist of elastomeric springs or rubber blocks. This method of cushioning may be accomplished in four main ways.

The item may be suspended directly by means of elastomeric springs. The item may be blocked in a cradle and the cradle suspended by means of elastomeric springs. The item may be boxed in an intermediate container and the intermediate container suspended by means of elastomeric springs. The item may be boxed in an intermediate container and the intermediate suspended by means of rubber shock mounts.

PACKING PROBLEMS

The basic reason for packing any item is to provide enough protection against the hazards it is likely to encounter during shipment. This minimizes the chances that damage will occur during the interval between the time the pack leaves the shipper and when the item is placed in use by the receiving activity. It is, of course, an impossibility to evaluate all the hazards that might be encountered in transit, as there are too many variables which can affect the condition in which an item may be found upon arrival at its destination. The guidelines to packing presented herein have indicated the principles and practices that have been found satisfactory in giving protection under average handling and storage conditions. If the solution of a specific packing problem is not located in this section, the following procedures are recommended for shipment from depots:

DOMESTIC SHIPMENTS

If an item is being shipped domestically, pack the item in a manner which closely duplicates the pack in which the item was received.

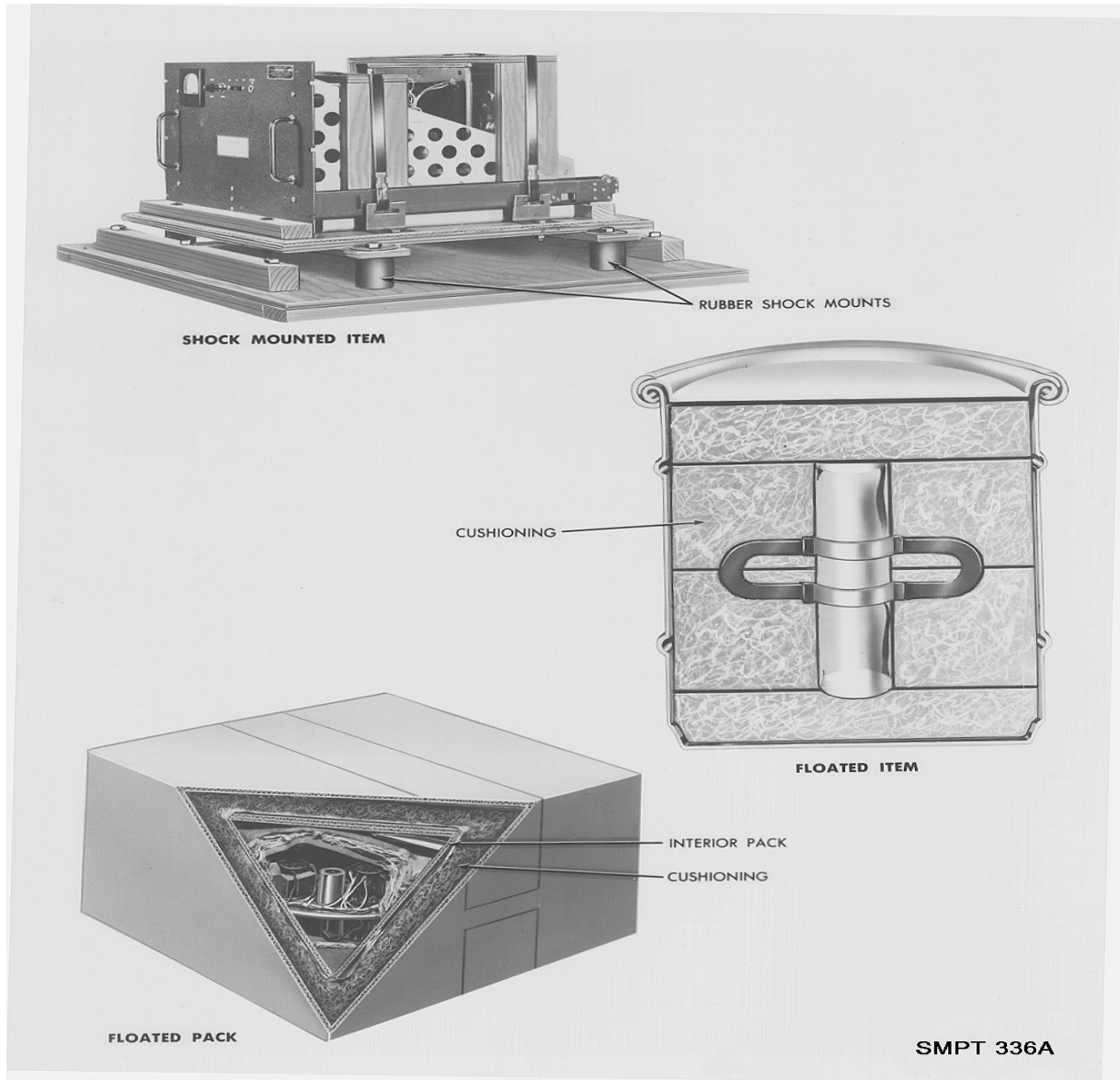


Figure 1-30. Methods of cushioning.

OVERSEA SHIPMENTS

If shipment overseas is involved, and no previous history of a container in which the item had been shipped to a similar destination is available, construct a pack embodying as many as possible of the principles outlined in this section. This pack should be prepared exactly as it would be shipped including complete preservation and interior packing. It is then tested by subjecting it to the applicable performance tests. The tests are based upon the size as well as the gross weight of the container since both influence the amount of rough handling the container will receive. Small, light packages are easier to move than the larger and heavier packs, and consequently, they can be expected to receive a greater amount of handling. Performance tests are required for the primary purpose of determining the adequacy of all the operations entering into preparation of a pack. At the conclusion of the tests, performance is based on the condition of the container, its contents, the blocking and bracing, cushioning, preservation, and other packing materials. The pack should be examined for any

damage, noting in particular any obviously weak points which might need to be strengthened. Usually the container, if constructed according to specifications, will withstand the rough handling. If, however, the container is damaged, a study should be made of the causes. Deficiencies in the blocking and bracing may result in damage to the container, in which case these deficiencies should be corrected. Other times the nature or shape of the item may cause the container to fail. Then, the container should be reinforced. In any event, when deficiencies become obvious, either in the containers, the contents, the blocking and bracing, cushioning, preservation, etc. the pack should be appropriately modified and the test repeated until no damage occurs which affects the utility of the pack.

PACKING SMALL, LIGHTWEIGHT ITEMS

As previously pointed out, cushioning materials are frequently employed to block lightweight items. In some instances, however, cushioning materials such as fiberboard, are primarily used for blocking. The effectiveness of fiberboard as blocking and bracing depends upon its strength and its resistance to moisture when not protected by suitable moisture barriers. The domestic class of fiberboards will rapidly absorb moisture with a resulting loss of strength. The weather-resistant class on the other hand, retains a greater proportion of its strength in the presence of moisture. Fiberboard is most frequently employed as blocking in fiberboard containers because the items packed in them are usually small and lightweight and do not require heavier types of blocking. Also, the container manufacturer can provide and fabricate pads, cells, trays, or partitions of the same material at a low cost.

Both solid and corrugated fiberboard are employed as blocking material, but the corrugated is used more frequently because it has a greater cushioning value and because of its lower cost. Occasionally, a pack will contain a comparatively large void which will necessitate blocking to prevent shifting of the item. In such cases, a fiberboard carton may be used for blocking the item in place. The carton used for blocking should be closed and sealed, and must be strong enough to provide adequate strength in all directions.

PACKING LARGE ITEMS

Large items require special attention to adequately secure them within the container. Such items are anchored to the base of the container and blocked and braced into a secured position on the base. A clearance of at least 1 inch is provided between the end, side, and top panels and the item is seldom blocked and braced to these panels. Thus, the container must have a rigid base and the rest of it must be free to distort without placing stresses directly on the contents.

ANCHORING TO BASE OF CONTAINERS

Crates for large and heavy items should have sturdy bases to which the items can be adequately secured. Many ingenious methods have been developed to hold items to crate bases. For sill and skid type crates, it is essential that the load be carried primarily by the outside skids or sills. This means that loads that cannot be secured to the side sills or bases must be provided with load bearing members that transmit the load to them.

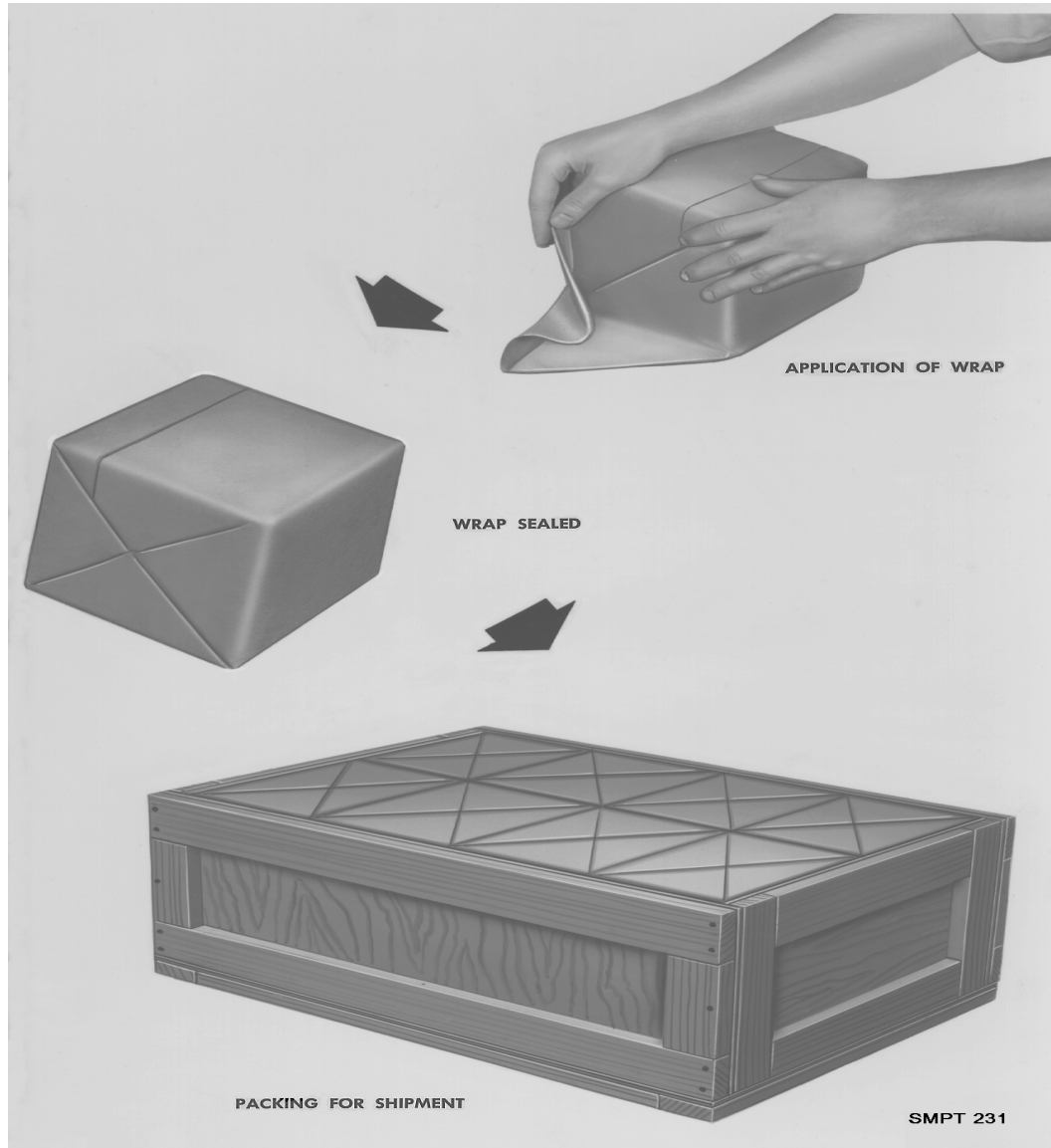


Figure 1-31. Waterproofing of individual packages.

BLOCKING AND BRACING A LARGE ITEM

After the item has been anchored to the base of the container to prevent its movement in a vertical direction, it is blocked and braced to prevent its movement in a horizontal direction. An item should be anchored only to the base, hence all bracing and blocking should be so secured.

CLEARANCE BETWEEN ITEM AND CONTAINER

When an item is blocked, braced, anchored, or tied down to the inside of one face of a container or to an auxiliary base which, in turn, is so secured, a clearance of not less than 1 inch should be provided between the item and all members of the faces of the container. A minimum clearance of 2 inches should be provided around fragile parts of the item that might be damaged due to slight distortion of the container. A minimum 2 inch clearance should be provided between items within floating bag barriers and adjacent members of the container.

WEATHERPROOFING THE PACK

At this point in the sequence of packing operations, it is assumed that a careful study has been made of the item to be packed; a suitable container has been selected; blocking, bracing, and cushioning have been designed; and the contents are ready to be placed into the container. The next step is to provide, when necessary, a protective barrier in the form of a case liner, crate liner, shroud, wrap, or tarpaulin fabricated from one of several materials. The barriers are intended to prevent deterioration of the item, and the preservation and packing materials used to protect it, by excluding the entry of water, by limiting the entrance of water vapor, or by diverting water from the materials which are subject to water damage. In addition, barriers will afford protection from dust, dirt, and other foreign matter. Barriers designed to prevent the entry of water (waterproof barriers) will not be used when the interior packs have been individually waterproofed as shown in figure 1-31, nor when the asphaltum in the barrier material or sealants may prove injurious to the inclosed items. The water-vaporproof protection afforded by caseliners differs from that afforded by a Method 50 package in that water absorbing desiccant is not used with caseliners.

WEATHERPROOFING (CASE LINERS, WRAPS, AND SHROUDS)

Except as provided herein, weatherproof liners, wraps, shrouds or other suitable means shall be provided in shipping containers as necessary to shield the contents from the effects of water, water vapor, dust, dirt, and other harmful matter. When a completely inclosed barrier is provided as in the case of liners and wraps, all seams should be completely and continuously sealed to offer protection equal to the barrier material itself. Barrier materials and sealants constructed with asphaltum shall not be used in the presence of mothproofing chemicals such as paradichlorobenzene and naphthalene. Barrier materials and sealants constructed of asphaltum shall not be used to protect items subject to stain or other damage caused by asphalt unless such items are initially protected to exclude asphalt.

TYPES OF WEATHERPROOFING BARRIERS

The particular type of barrier to be used depends on the type of exterior container or the intended use of the barrier (table 1-8). In selecting the type of barrier to be used, consideration should be given to the following:

- Sealed case liners and sealed wraps are used to resist the passage of water and water-vapor. Fabrication of case liners is covered below.
- Sealed case liners will not be used in the packing of material unless specifically authorized.
- Crate liners and shrouds are used to shed water from the top and sides of the item, allowing free circulation of air. Shrouds are fabricated from waterproof barrier material conforming to PPP-B-1055, Class E or heavier. The seams are sealed with water-resistant adhesive conforming to MMM-A-260. Shrouds also may be made of material conforming to L-P-378.

It is important that shrouds be secured to prevent damage or loosening by storms. They should be weighted if necessary and arranged to avoid formation of water pockets. Shrouds should never extend entirely to the base of a crate or to the ground since the free circulation of air around the enclosed equipment is thereby prevented.

Table 1-8. Application of weatherproofing barrier materials for packing

Use	Barrier Materials				
	L-P-378	PPP-B-1055	MIL-B-121	MIL-B-131	MIL-B-22191
Case Liner	Classes H-2, H-3(a), H-4, H-5, L-2(b), and M-1 Waterproof	Types I and II, Grade A, Class 1 Waterproof	Classes 1 and 2 Watervaporproof	Types II or III Waterproof
Sealed Wraps and Plastic Bags	Type I Waterproof	Classes B-1, B-2, B-3, C-1, C-2, C-2(a), E-1, and E-2 Waterproof	Classes 1, 2, and 3 Watervaporproof	
Crate Liner	Classes C-2(a), E-1, E-2, E-2, H-5, L-2(b), and M-1 Watershed			
Shroud	Types I and II Watershed	Classes E-2, H-5, and M-1 Watershed			
Baling	Classes B-1, B-2, B-3, and E-2 Watershed			
Temporary Tarpaulin	Type I Watershed	Class L-4 Watershed Class P-1			

CASE LINERS, OVERWRAPS, AND PLASTIC BAGS

Flexible waterproof or watervaporproof case liners, overwrap sheets, and plastic bag liners should be fabricated and closed in accordance with MIL-L-10547.

They shall be furnished in the following types: Type I, high-top case liner (fig 1-32); Type II, double-top pad liner (fig 1-33); Type III, overwrap sheet, and Type IV, plastic bag. Type II liners may be used when a level, rigid surface exists or when the depth of the case liner exceeds 36 inches. Type III overwrap sheets are barriers used around intermediate boxes. Type IV plastic bag liners are used in the same manner as Type I and II case liners.

They are available also in six grades as follows: Grade A, watervaporproof; Grade B, waterproof, all temperatures; Grade C, waterproof, asphalt laminated kraft; Grade D, waterproof and greaseproof; Grade E, waterproof, greaseproof, transparent, all temperatures, and Grade F, waterproof, transparent, all temperatures.

Table 1-9 shows the barrier material to use depending on the type and grade of case liner, overwrap, or bag liner required and whether they are to be used for subsistence or nonsubsistence items.

Case liners should be made large enough so that the weight of the load will be borne entirely by the container, not by the liner. There should be no tension in the walls or joints of the liner after it has been closed around the contents.

Experience has shown that under some conditions, especially when the contents do not fill the case liner completely, waterproof case liners do more harm than good by trapping and holding water rather than preventing its entry. It is not essential that there be openings in the sealed liner for this to happen. If the liner material has low resistance to watervapor transfer (a common occurrence) water can enter in the form of vapor and condense on items within the liner. At the end

of an extended outdoor exposure period, sealed case liners have been opened and found partially filled with water. When packed items need protection against water, it is preferable to incorporate the protection in the individual unit packages in lieu of using case liners.

Linings for Drums, Kegs, Barrels, and Bags. Linings should be provided for drums, kegs, barrels, or bags when their contents require protection not otherwise provided by the containers against sifting, contamination, or free water. The lining material should conform to PPP-B-1055 or MIL-B-22191. Fabrication and closure seams should be heat sealed or sealed with adhesive conforming to MMM-A-260, as applicable.

WATERPROOF AND WATERVAPORPROOF WRAPS

Waterproof and watervaporproof wraps shall be fabricated and sealed in accordance with MIL-L-10547.

UNSEALED WATERPROOF WRAPS

Unsealed waterproof wraps should be applied to shed water while permitting breathing and circulation of air.

Table 1-9. Barrier materials for case liners, overwraps, and plastic bag liners

Use	Liners, overwraps, and bag liner		Specification	Barrier materials
	Grade	Types		Classification
Subsistence item	C F	I, II, III IV	PP-B-1055 L-P-378	Classes H-2 thru H-5, M-1 Type I
Nonsubsistence item	A	I, III	MIL-B-131	Classes 1, 2 and 3
	C	I, II, III	PPP-B-1055	Classes E-1, E-2, H-1 thru H-5, L-2, M-1 Types I and II, grade A, class 1 Type II
	D E	I, II IV	MIL-B-121 MIL-B-22191	



Figure 1-32. Using and closing of high top caseliner.

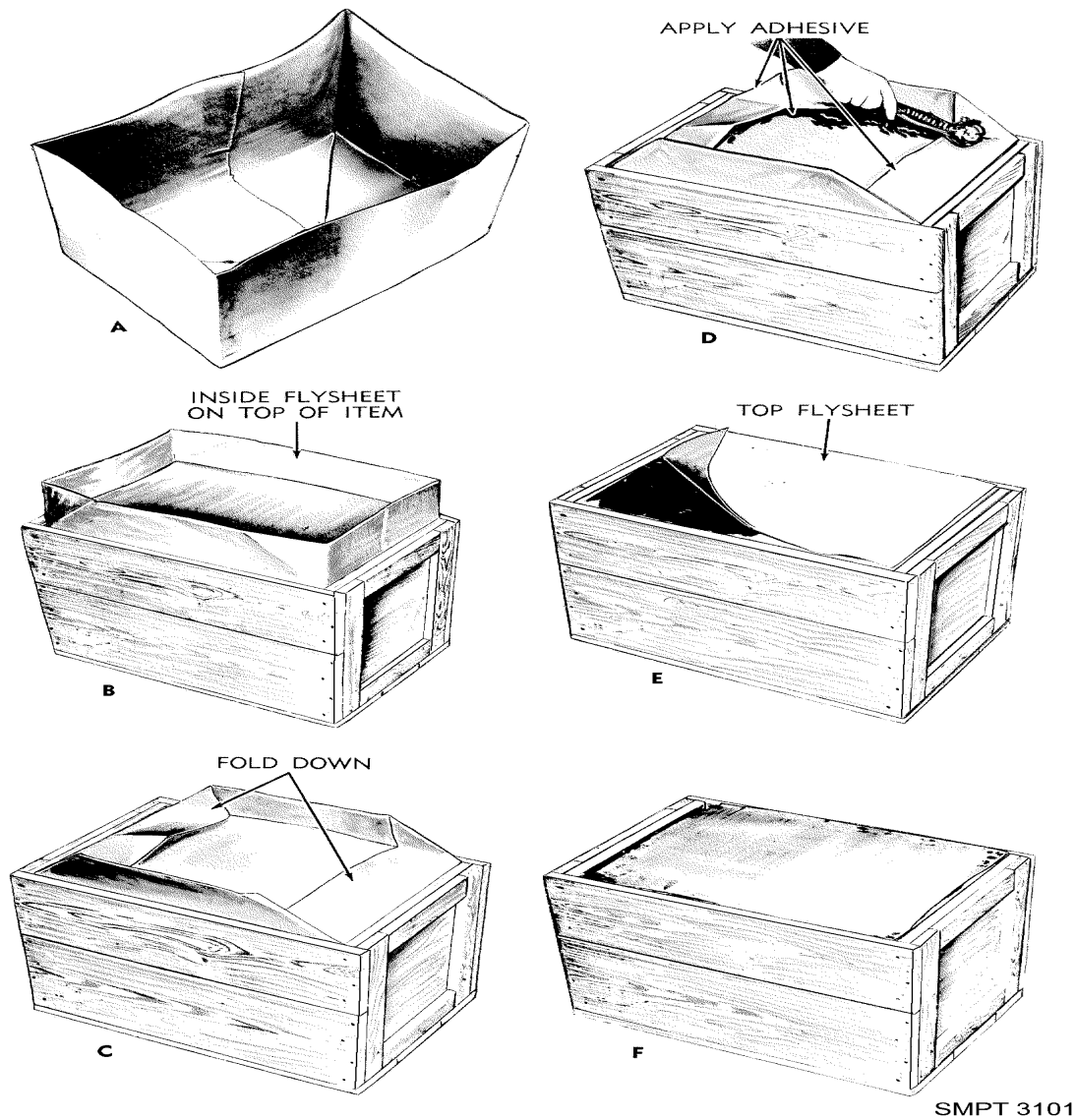


Figure 1-33. Double top pad closure caseliner.

TESTING OF PACKS

PURPOSE OF TESTING

The purpose of testing is to prove the adequacy of packaging design and the workmanship of fabrication. Testing may be performed in the research and development phase or by tests at the operational level. Since containers in the storage and shipment cycle are subjected to various and constantly changing storage and shipping hazards, it is difficult to develop complete data for their design by merely observing the containers in service. Examinations of failures will reveal the weaknesses and suggest the specific principles of design to overcome such failures. Since service tests are not performed under controlled conditions, laboratory tests are necessary to simulate field hazards. Each test is designed to reproduce one or more of the stresses encountered in the field. During the test cycles the sequence of failures can be observed, classified, and the

weaknesses from which the failures result determined. By means of such tests any number of containers can, in turn, be subjected to exactly the same actions, thus providing the data necessary to produce balanced construction and workmanship. On the following pages are described a number of methods that have been devised for subjecting containers to hazards similar to those encountered in the field. Both laboratory and field testing are necessary since there are certain conditions inherent in each method of testing that cannot be duplicated in the other.

TYPES OF TESTS

Development and testing of packs and containers should be started as soon as possible after initiation of item development. Some of the tests most commonly used in proving design adequacy include the vibration, rough handling, and cyclic exposure tests (fig 1-34). One or more of these tests are usually applicable to the design of military packs. In many cases the technical activity having design responsibility, has intervals tests and procedures that are applicable to a specific design problem. The documents most generally used for test guidance are MIL-STD-1186. ASTM D 4169, Performance Testing of Shipping Containers and Systems, and ASTM D 5276, Drop Test of Loaded Containers by Free-Fall, should be referenced.

TESTING (MIL-STD-2073-1)

After an item has been packed in accordance with one of the MIL-STD-2073-1 methods, tests are conducted to determine the effectiveness of the pack. The types of tests conducted will depend on the particular method used. The tests called for in MIL-STD-2073-1 are not all-inclusive, however, and additional or different tests are sometimes required. The types of tests specified in MIL-STD-2073-1 for proving the adequacy of unit protection are the leakage test, rough handling tests, cyclic exposure tests, and the heat-seal seam tests.

TESTING (MIL-STD-1186)

When packs prepared for shipment in accordance with the detailed requirements of MIL-STD-1186 are tested for any rough handling required, there should be no settlement or shifting of contents. Further, the testing should cause no damage to the contents and should not loosen, break, or displace the anchoring, blocking, or bracing. The testing should not render the interior containers, wraps, liners, barriers, or cushioning ineffectual in providing continued and adequate protection to the contents.

TYPES OF ROUGH HANDLING TESTS

The various types of rough handling tests include: free-fall drop test; cornerwise drop test; pendulum impact test; incline-impact test; edgewise drop test; vibration test; and others. The particular tests employed usually depend upon the size and shape of the package. Completed packages as prepared for shipment are given a rough handling test when specified. When a rough handling test is required, it precedes applicable tests specified to detect leaks and inadequate seals or closures and preservative retention.

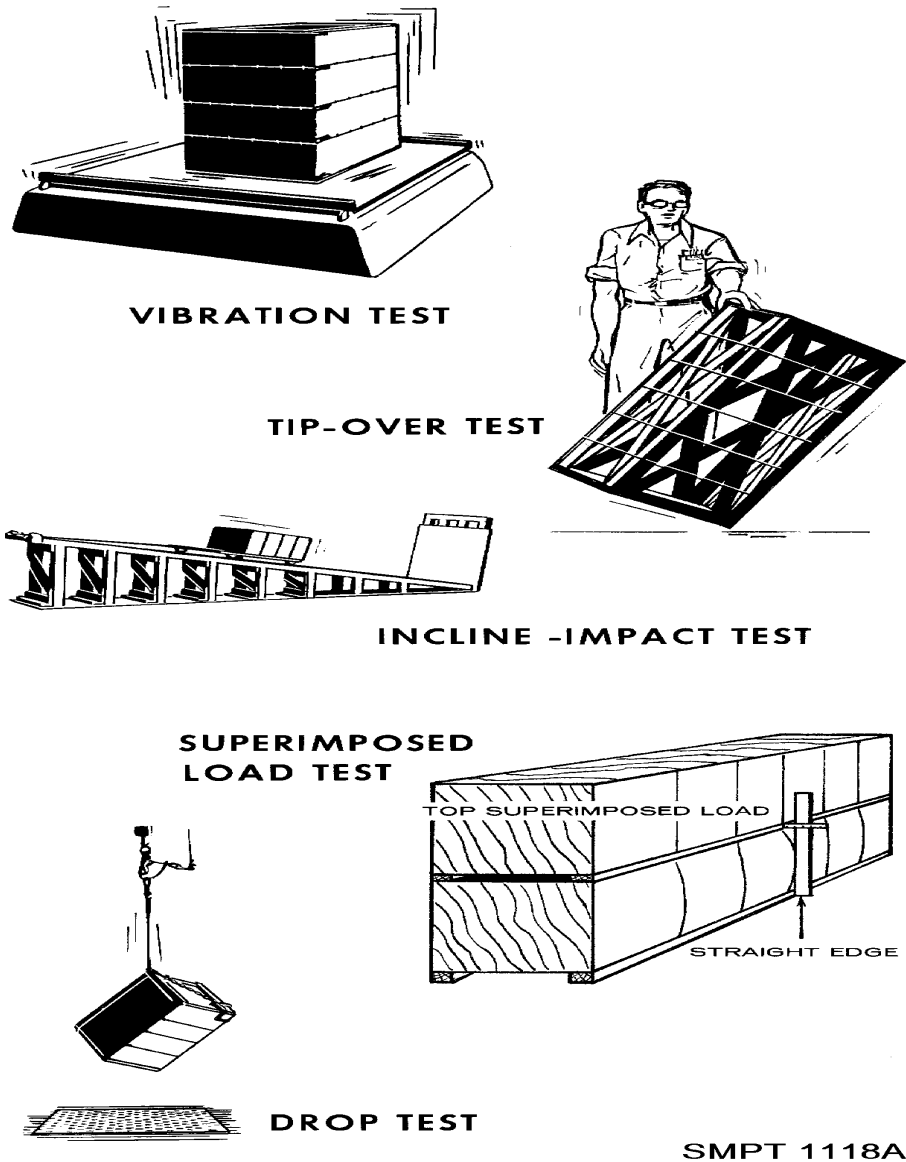


Figure 1-34. Examples of container test.

Inspection and tests for leaks in barrier materials, seals and closures, and preservative retention, when required, are performed on the contained unit pack(s) following the rough handling test to determine existence or extent of detrimental effects. Unless a particular test is specified, selection of the applicable rough handling test should be in accordance with ASTM D 5639, Selection of Corrugated Fiberboard Materials and Box Construction Based on Performance Requirements.

SMALL CONTAINERS

Only free-fall drop tests and vibration tests shall apply to small containers; both or either vibration test shall be conducted at the option of the contractor. Small containers are those having a gross weight of 110 pounds or less. Any container with skids is tested as a large container. Any container holding an item that has a net weight of more than 100 pounds and which is fastened to a base within or to the base of the container will be tested as a large container.

LARGE CONTAINERS

All rough handling tests, except for free-fall tests, shall apply to large containers; both or either vibration test shall be conducted at the option of the contractor. However, tipover tests will apply only when additionally specified. Either impact test shall be conducted at the option of the contractor. Large shipping containers are those measuring more than 60 inches on any one edge or diameter, or those which when loaded, have gross weights in excess of 150 pounds or those which have skids.

FREE-FALL DROP TEST (FIG 1-35)

The pack may be tested in accordance with ASTM D 5276. A drop tester is any suitable apparatus which will allow an absolutely free, unobstructed fall of the container at the orientation and the direction required. A lifting device that will not damage the container will be used and a level steel or cement surface to absorb all shock without displacement will be provided. The height from which the specimen should be dropped is dependent upon the weight, size, kind of container, and level of pack. This test is meant to simulate the fall of an item dropped by a person from a height they would normally use to lift and carry an item of that size.

The container should be dropped from the designated height onto a steel, concrete or stone surface of sufficient mass to absorb the shock without deflection in such a manner that the designated surface of the container absorbs the full force of the fall (fig 1-35). This test should be repeated until the designated number of drops have been made. (The height refers to the distance from the steel, concrete, or stone surface to the nearest surface of the container when suspended prior to the fall.) The fall shall be a free fall, in that no ropes or other suspending media are attached to the container during the fall. If the container is of the drum type, the top and bottom of the drum should be marked so that the circle of the top and bottom is quartered, and the test should be applied to each quartered section.

TIPOVER TEST (FIG 1-34)

The loaded container is placed on its bottom and slowly tipped until it falls freely (by its own weight) on its side to a smooth level, concrete slab or similarly unyielding surface. Structural damage to the exterior shipping container which would result in either spilling of contents or failure of the container in subsequent handling is cause for rejection. This test is meant to simulate the impacts of accidentally tipping over a container. It is intended that the tipover test be used only on containers that are susceptible to accidental tipovers.

EDGEWISE DROP TEST (FIG 1-36)

The loaded container should be supported at one end of its base on a sill or block 6 inches in height and at right angles to the skids. The opposite end of the container should be allowed to fall freely from the specified height onto a steel, concrete, or stone surface of sufficient mass to absorb the shock without deflection. The test should be applied twice to each end of the container. If the size of the container and the location of the center of gravity are such that the drop tests cannot be made from the prescribed height, the height of the sill will be increased.

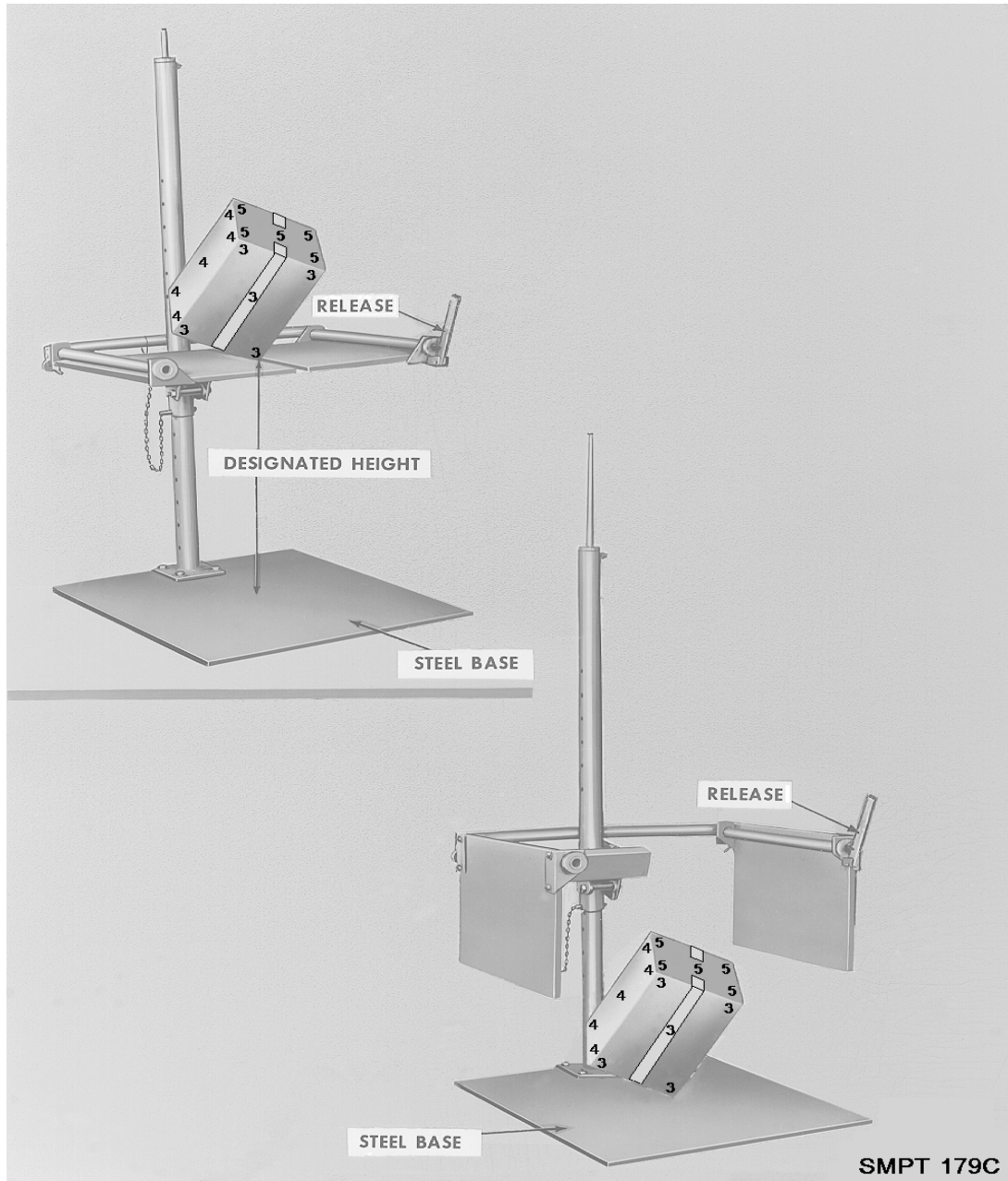


Figure 1-35. Free fall drop test.

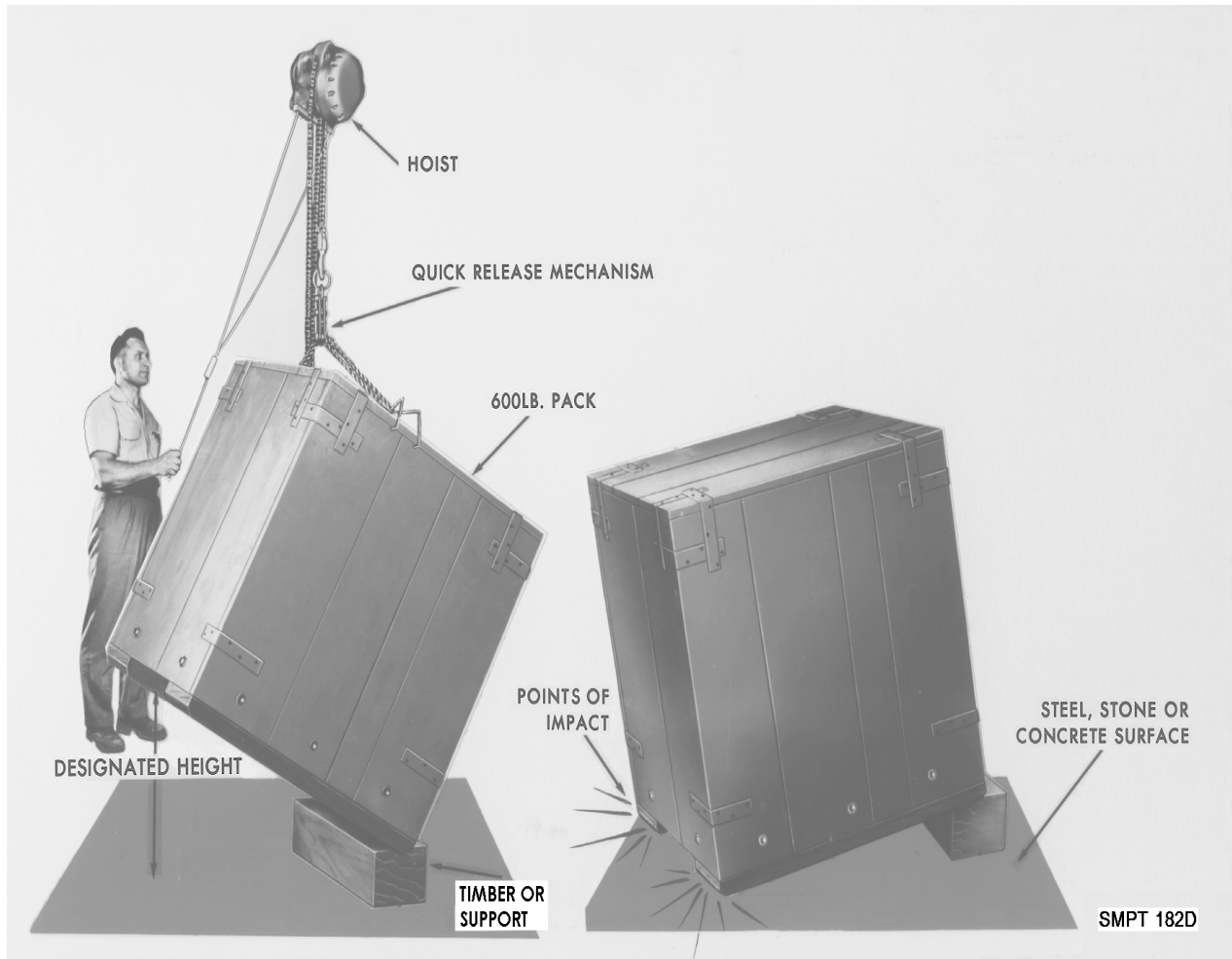


Figure 1-36. Edgewise-drop test.

CORNERWISE-DROP TEST (FIG 1-37)

The container should be supported at one corner of its base on a block 6" in height. A 12" block should be placed under the other corner of the same end of the container. The lowest point of the opposite end of the container should then be raised to the specified height for the weight and allowed to fall freely onto a steel, stone, or concert surface of sufficient mass to absorb the shock without deflection.

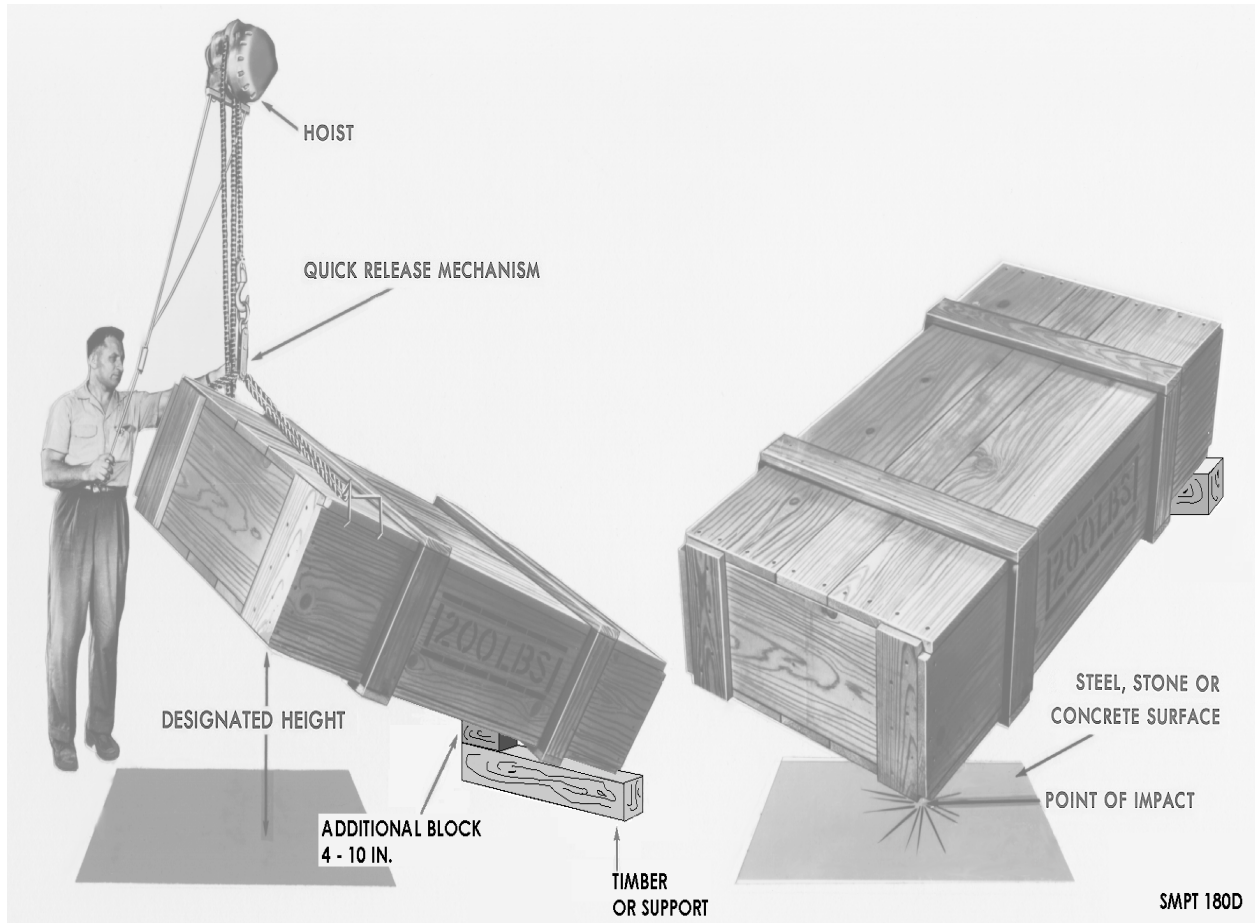


Figure 1-37. Cornerwise-drop test.

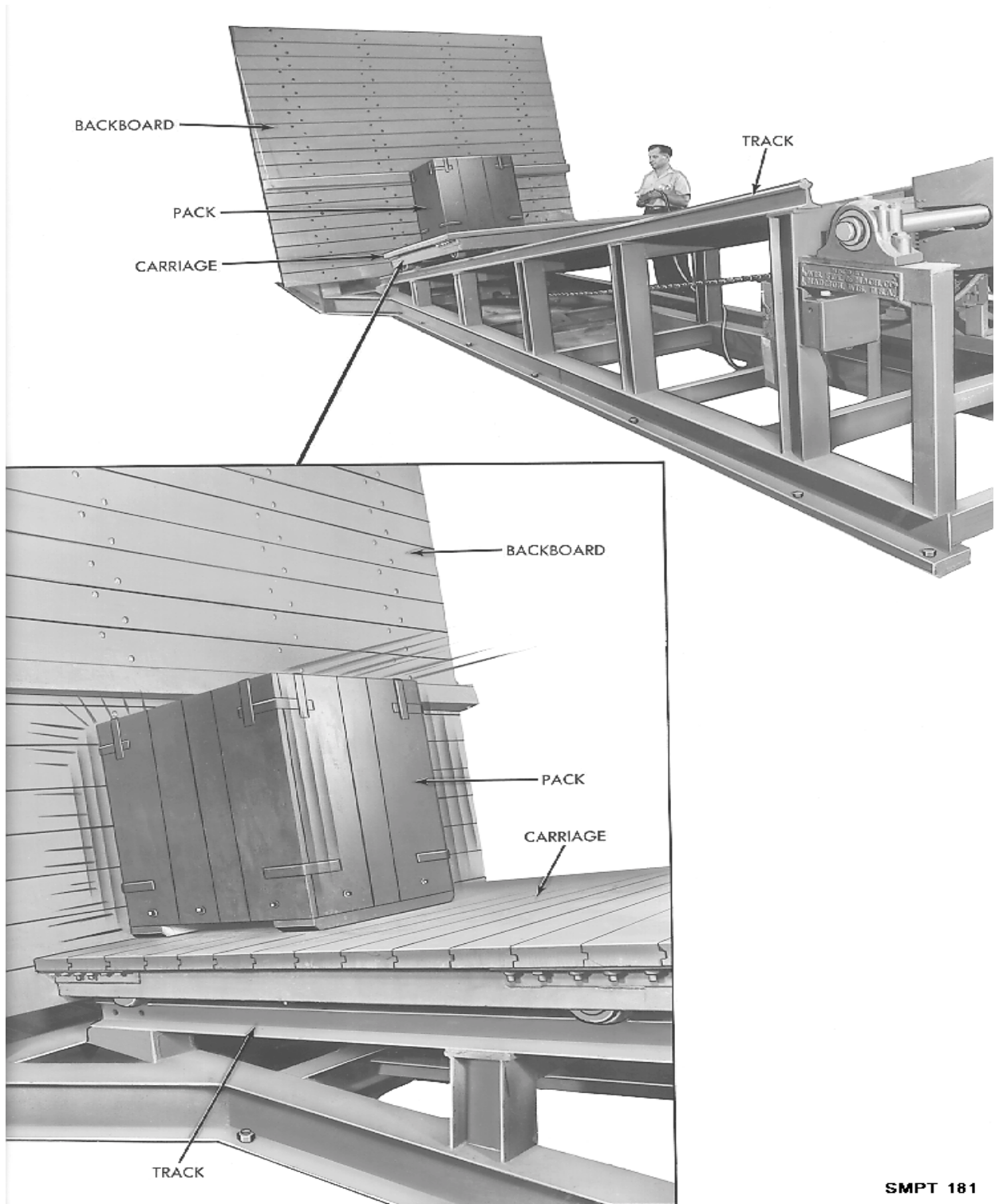
IMPACT TESTS

Packs having a gross weight exceeding 150 pounds or any dimension exceeding 60 inches, closed for shipment, may be subjected to one of the following guided impact tests. A single impact should be applied to each of two opposite ends. The tests are performed to simulate railroad jumping or other accidental impacts, evaluating the adequacy of the blocking, bracing and tie downs used to secure a load on or in a rail car.

INCLINE-IMPACT TEST (FIG 1-34)

This test in accordance with ASTM D 5277 simulates the abuses encountered by packs in freight cars or trucks when the vehicles are subjected to the sudden starts and stops.

The pack, mounted on a movable platform dolly which rides on a plane inclined 20 degrees from the horizontal, is released from a known distance up the incline and is permitted to strike against a fixed backstop at the bottom of the plane. The magnitude of impact shock is varied by using different release points.



SMPT 181

Figure 1-38. Impact test.

SUPERIMPOSED-LOAD TEST (FIG 1-34)

The procedure is applicable for determining the ability of shipping containers to resist loads such as imposed on the bottom container of a stack of similar container in storage, or on a container supporting top dunnage and superimposed lading. Test is applicable for determining the ability of shipping containers to resist loads superimposed on their tops as imposed by piling without top dunnage many small, heavy packs on a container.

Stackability, with dunnage tests, are conducted by placing a prescribed load on the top of the container in a manner simulating the effect of similar containers being stacked on top, and the load shall be allowed to remain in place for 1 hour. A check shall be made of any changes or breaks in the container, such as apparent buckling or failure of members in the sides or ends. Observations should be made to determine if the distortions are enough to damage or dislodge the interior packing or contents.

The uniformly distributed, without dunnage superimposed load test is conducted by placing weights not greater than 10 x 10 inches in outside length and width, on top of the container in a symmetrical pattern approximating uniform load and allowed to remain in place for 1 hour. Measurements of distortions shall be made immediately before the load is removed. Checks should be made of any changes or breaks in the container, such as apparent buckling or failure of members in the top, sides or ends.

VIBRATION TEST (FIG 1-34)

The forces and motions typical of railroad cars, motor trucks, and air transportation can result in vibration which frequently produces deterioration or partial crushing of unit or interior packing which reduces resistance to other shocks, such as impact from dropping, jolting, or bumping. Testing can disclose weakness in assembly of the packed item. The pack may be vibration tested in accordance with ASTM D 3580.

VIBRATION (REPETITIVE SHOCK) TEST

Test is used to indicate whether or not a package and its contents will withstand transportation shocks and vibration without damage when the shipment is not securely tied down to the floor of the vehicle. The package is placed on, but not fastened to, a platform supported on a mechanism that will maintain the surface essentially horizontal as it vibrates the platform. The amplitude of the vibration will be 1 inch total. The frequency will be variable within an approximate range from 3 to 5 Hz. Fences, barricades, or blocking can be attached to the platform to keep the package in position without unnecessarily restricting the vertical or rotational movement of the package. Unless failure occurs, total time of vibration will be 2 hours if the package is tested in one position; 3 hours if tested in more than one position.

VIBRATION (SINUSOIDAL MOTION) TEST

Test in accordance with ASTM D 4169 is used to determine the adequacy of packages that contain items susceptible to damage from vibration encountered during shipping and are tied down to the floor of the carrier. The package is attached securely to a platform supported on a mechanism that will maintain the surface essentially horizontal as it vibrates the platform vertically. Controls are provided to vary the frequency from 2 to 500 Hz as specified. If the package might be shipped in more than one position, the package will be tested in each position.

SIMULATED CONTENTS

Simulated contents of the same dimensions, weight, center of gravity, and physical properties as the actual contents may be substituted in the tests described above. A shock-recording instrument of an acceptable type should be appropriately installed within the shipping containers. This provision is intended to avoid unnecessary damage or complete destruction of valuable commodities.

INTERPRETATION OF RESULTS

All materials and components shall be free from damage or evidence of displacement which affects the utility of the pack. When specified, functional tests should be conducted on the items or equipment to determine freedom from operational malfunction.

MARKING OF PACKS

Marking permits ready identification of military supplies and equipment for shipment and storage. No matter how well an item is made or packed, it is valueless if it cannot be identified upon reaching its destination.

ASTM D 996, Standard Terminology of Packaging and Distribution Environments, defined marking as "the applications of numbers, letters, labels, tags, symbols, or colors to provide identification and to expedite handling during shipment and storage".

MARKING STANDARD

The publication that provides the requirements for the uniform marking of military supplies and equipment is Military Standard 129, Marking for Shipment and Storage. This publication is approved for use by all Department and Agencies of the Department of Defense. It accommodates the requirements for coded and in the clear data and the forms required by DOD 4500.25-1-M, Military Standard Requisitioning and Issue Procedures (MILSTRIP); DOD 4000.25-2-M Military Standard Transaction Reporting and Accounting Procedures (MILSTRAP); and DOD 4500.32-R, Military Standard Transaction and Movement Procedures (MILSTAMP).

All required marking and any additional special marking which may be required depending upon the item and container being shipped (fig 1-39) can be found in MIL-STD-129.

ECONOMY IN PACKING

STANDARDIZATION

Economy in packing is the responsibility of everyone concerned with military supply. The Secretary of Defense has established policies on packaging that must be followed. These policies emphasize that the military services standardize their preservation, packaging, and packing. For example, the services, by using packaging standards, assure the same requirements for the same type of items, thus reducing the number of materials, methods, and procedures - whether these requirements are performed by the contractor or by the depot.

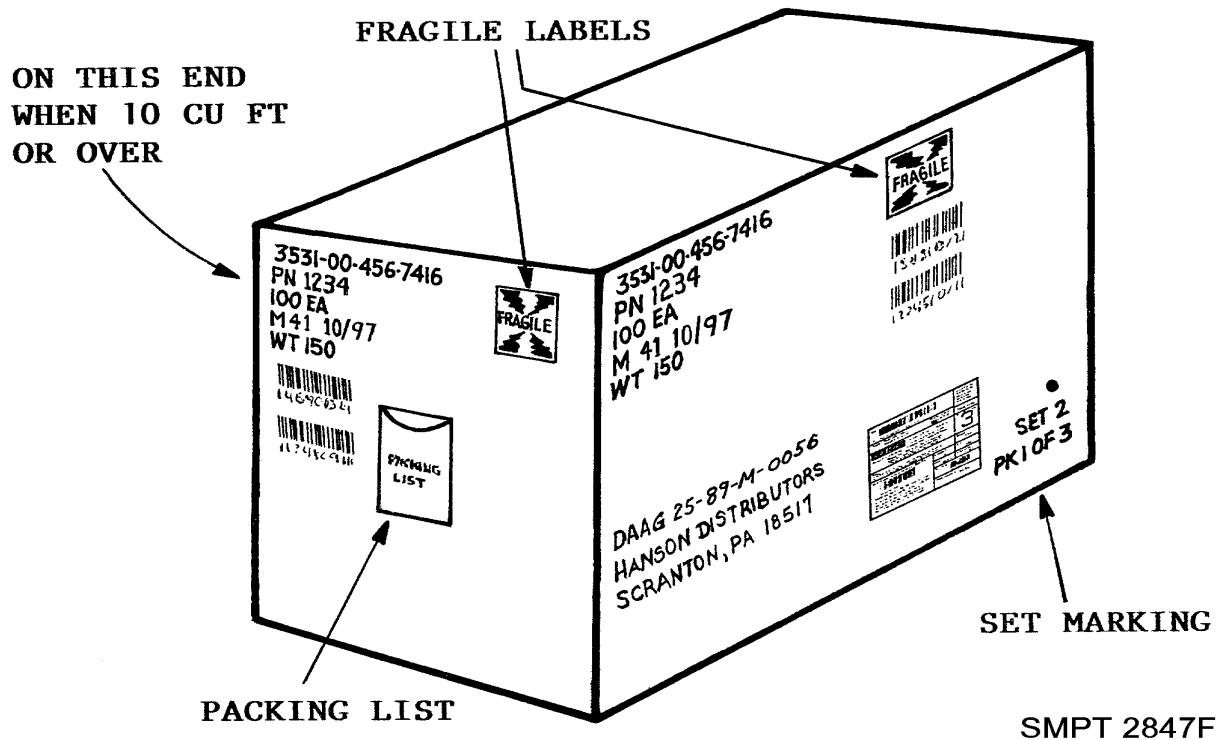


Figure 1-39. Shipping container identification, address, and special markings.

FALSE ECONOMY

Defense material must be protected against all hazards at the lowest possible cost, with the tare weight and cube kept to a minimum. Any attempt, however, to relax standards to anything less than adequate, is false economy. To associate the size and price of an item with the cost of packing is also false economy. Items of small size or low monetary value are often essential to the proper function of a million dollar assembly. To use more material or more expensive material than is essential is also false economy.

REDUCING TARE WEIGHT AND CUBE

One important way to reduce overpacking is through the use of pilot packs carefully engineered and tested for a particular item. The redesigning of established packs and the use of standardized processing forms may result in substantial savings. Wherever the selection of the container is optional, study the comparative initial cost, the labor handling and storage costs, and any possible reduction in tare weight and cube. Probably no area is more fruitful in realizing savings than in the reduction of tare weight and cube.

POTENTIAL AREAS FOR ECONOMY

There are two areas of great saving potential. One is repair parts and general stores items which account for the greatest shipping volume through high turnover. The other is items of large cubic volume on which shipping charges are high, such as pontoons, fuel tanks, electronic equipment, and machine tools. Figure 1-40 shows an example where savings in weight and cube, together with reduction in top heaviness, were achieved by remounting the item on its side. The length of the crate framing members and diagonals was reduced, and the basic strength of the crate was increased by having the angles of the diagonals nearer to the ideal 45 degree.

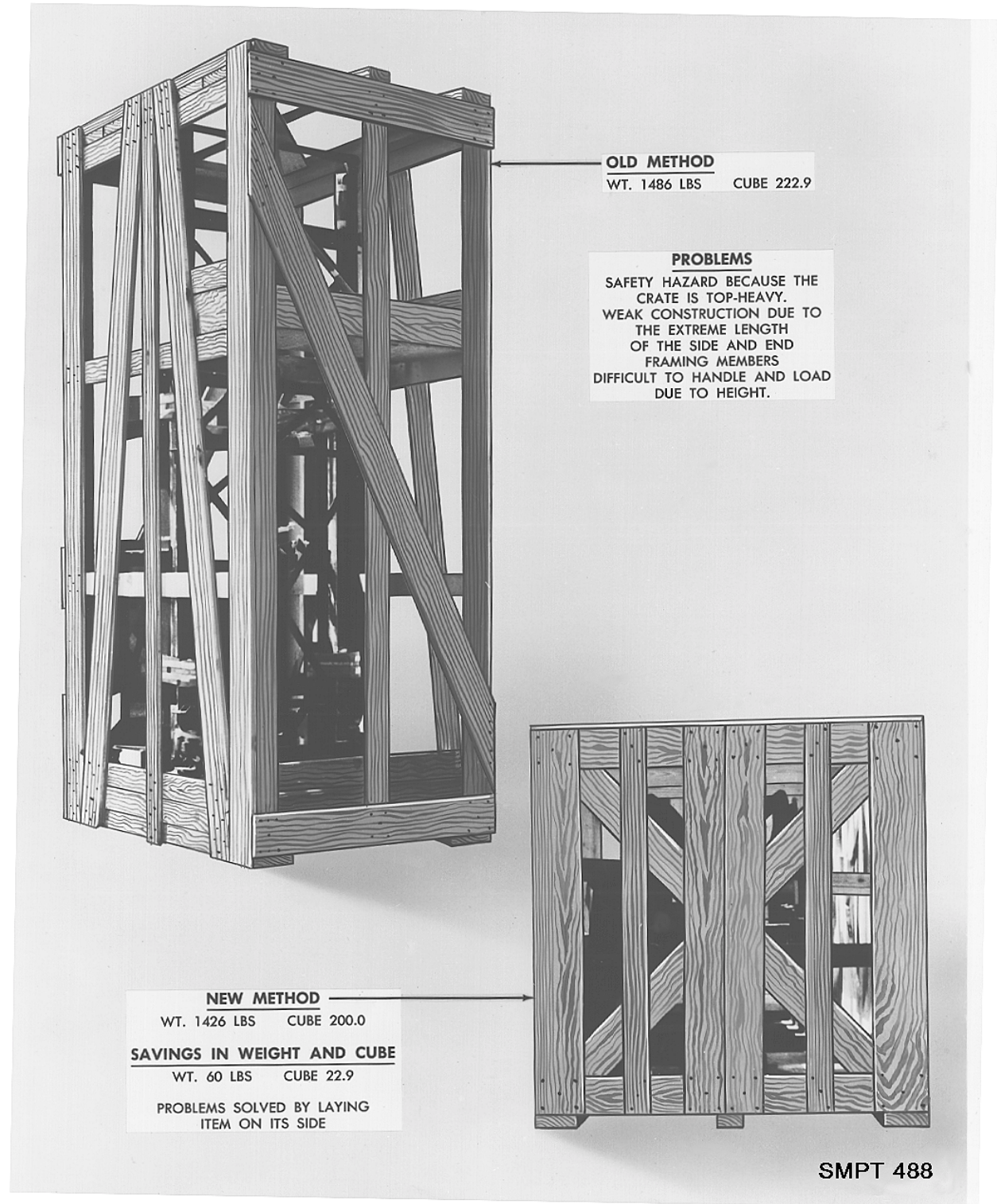


Figure 1-40. Savings achieved through crating of an item.

Use the most economical container that will adequately handle the load. For example, do not use a Style 2 wooden box having a load limit of 1000 pounds, when a Style 4 box with a load limit of 400 pounds will give all the protection needed. Do not use a wooden box when a lighter container is adequate for the pack.

Develop an active training program for packing supervisors and personnel to alert them to the constant need for the reduction of weight and cube. Figure 1-41 shows how saving in weight, cube, and materials resulted from a simple redesign of the pack.

Make available a greater selection of light weight containers on the packing lines. Operators will not be as likely to use heavier containers when fiberboard or other lightweight containers are available and can do just as well.

Consolidate multipack shipments into low cost containers to eliminate the shipping weight of smaller individual containers. The wood, wirebound, and triple wall fiberboard pallet boxes are all light in weight, are economical and suitable for consolidating materials for domestic and air shipments.

OTHER ECONOMY AREAS

There are several other areas in which economies can be achieved.

MANPOWER

Any reduction in manpower cost will have a definite bearing on the economy of packing. One way to reduce manpower cost is to recognize that the well trained packer is the economical packer. This means using the right man on the right job.

MECHANIZATION

Savings of considerable importance can be derived from the proper use of mechanization. Powerized conveyor belts, mechanized handling systems, and automatic packing machinery, all help to reduce handling and speed up operations.

REUSE OF MATERIALS

Another field in which savings can be effected is through the salvage and reuse of materials. Lumber, cushioning, blocking and bracing materials, containers, and metal fasteners can be reused with a little careful planning (fig 1-42).

Parcel Post

One other area for achieving savings is the more efficient use of parcel post. Frequently, parcel post reduces the need for documentation, allows a lowering of the level of protection, cuts down on marking requirements, and permits faster delivery. Remember, to obtain the maximum value for each Defense dollar, one must be awake to every new idea that may lead to the reduction in packing costs.

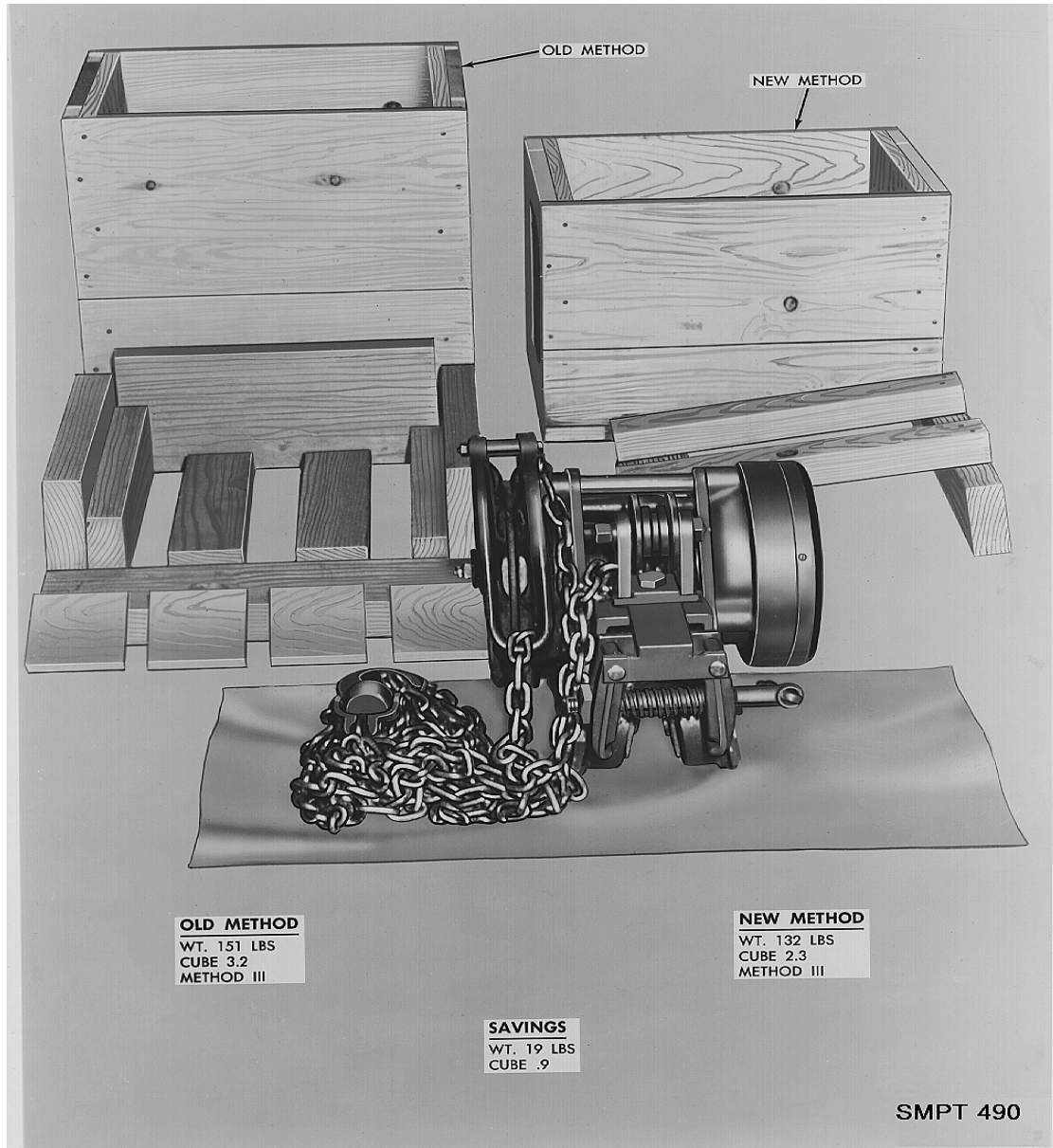


Figure 1-41. Savings achieved by redesigning a container.

PARCEL POST REQUIREMENTS

GENERAL SUPPLIES

Military requirements for parcel post shipments must conform to the Postal Service Manual and the various Armed Service regulations.

Nonmailable Matter

Nonmailable matter includes all matter which is by law, regulation, or treaty stipulation, prohibited from being sent in the mail or which cannot be forwarded to its destination because of illegible, incorrect, or insufficient address.

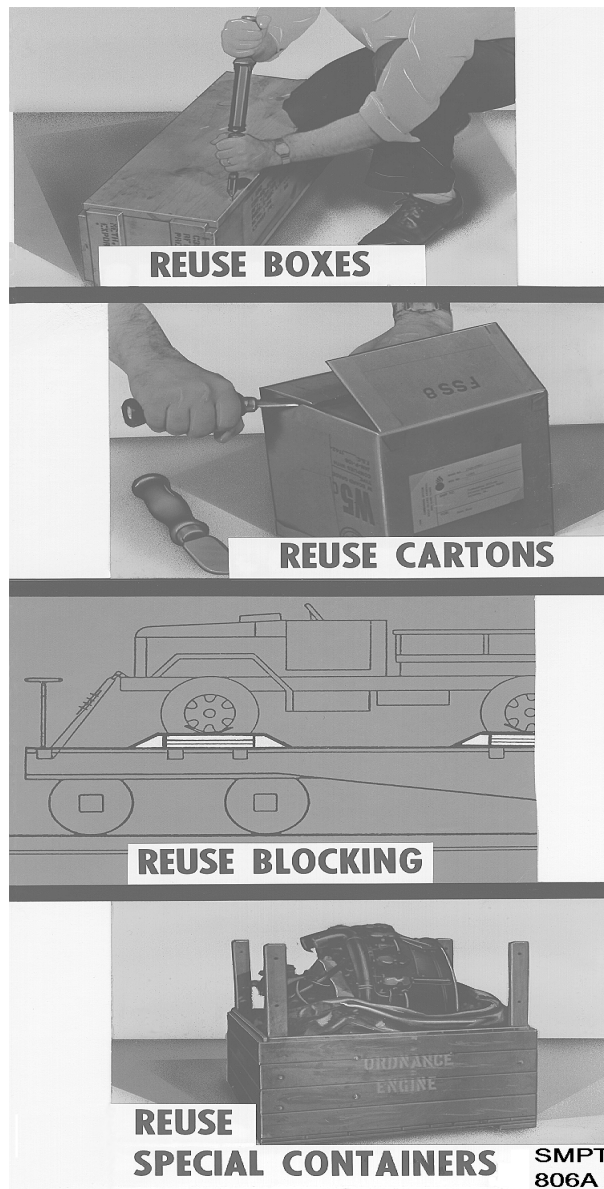


Figure 1-42. Reusing packaging materials means economy.

Harmful Matter

With certain exceptions, any articles, compositions, or materials, which may kill or injure another or injure the mail or other property, are nonmailable. This includes but is not limited to--

- All kinds of poisons, including controlled substances.
- All poisonous animals, except scorpions, all poisonous insects, all poisonous reptiles, and all kinds of snakes, turtles and spiders.
- All disease germs and scabs.
- All explosives, flammable material, internal machines, and mechanical, chemical, or other device or compositions which may ignite or explode.

GENERAL EXAMPLES OF HARMFUL MATTER

Harmful matter includes, among other things, that which is likely to destroy, deface, or otherwise damage the contents of the mailbags or harm the person of anyone engaged in the Postal Service, such as caustic poisons (acids and alkalis), oxidizing materials, or highly flammable solids; or which is likely under conditions incident to transportation to cause fires through friction, through absorption of moisture, through spontaneous chemical changes or as a result of retained heat from manufacturing or processing; explosives or containers previously used for shipping high explosives having a liquid ingredient (such as dynamite), ammunition; fireworks; highly flammable liquids or substances; radioactive materials; matches; or articles emitting a bad odor.

HARMFUL MATTER REQUIREMENTS

Harmful items should not be shipped parcel post without prior approval of the Postal Service. Whenever there is doubt about the mailability of a particular item, a request for a ruling should be made to the local postmaster. Mailability rulings may also be obtained from a nearby mail classification center or from the Office of Mail Classification, US Postal Service, Washington, DC 20260.

TYPES OF SHIPPING CONTAINERS

General

Postal regulations require containers strong enough to retain and protect their contents from the weight of other mail.

Common Containers Used

The following containers, with applicable specification are most commonly used, depending on size, weight, and nature of the article(s): Cotton Mailing Bags (A-A-2714); Burlap Cotton and Waterproof Laminated Textile Shipping Bags (A-A-881); Folding Boxes (PPP-B-566); Fiberboard Boxes (ASTM D5118); Sacks, Shipping, Paper, Cushion (A-A-1588) and Cans, Fiber, Spirally-wound (MIL-C-3955).

Mailbags

Mailbags may be used as containers for consolidated shipments of unbreakable or nonfragile items going to the same location, provided projections are cushioned to prevent rupture of the bag during shipment. Use of one of the three available sizes of mailbag should be based on volume of material going to individual customers.

Used Containers

Used containers in good rigid condition with all flaps intact are acceptable. If a container of desired size cannot be found, a large one may be cut down to meet the needs.

Size and Weight of Container

The shipping containers must be of the proper size to accommodate the item(s) being shipped. Sufficient space for cushioning material should be allowed at the time of container selection, avoiding both the underpacking and overpacking of the item and remaining within the weight limitations. The size and weight of packages mailed at most post offices is limited to 108 inches, length and girth combined, and 70 pounds.

Measurement

Compute the size of a parcel as follows (see Figure 1-43):

- Measure the longest side.
- Measure the distance around the parcel at its thickest part (girth).
- Add both measurements.

Some military post offices overseas have more restrictive size and weight requirements. The weight of an addressed piece of parcel post must be 16 ounces or more.

Reusable Containers

The use of reusable containers may be determined by considering the following factors:

- When the military characteristics of the item are such that a reusable type container is necessary. When the container can serve a dual purpose of shipping container and case while the item is in use. When the item is designated as recoverable-repairable item.
- The cost of a reusable container is offset by multiple use as compared to the cost of single trip, disposable containers.
- When the cost of the item and/or its critical characteristics, or the need for periodic inspection or exercising justifies the use of a reusable container.

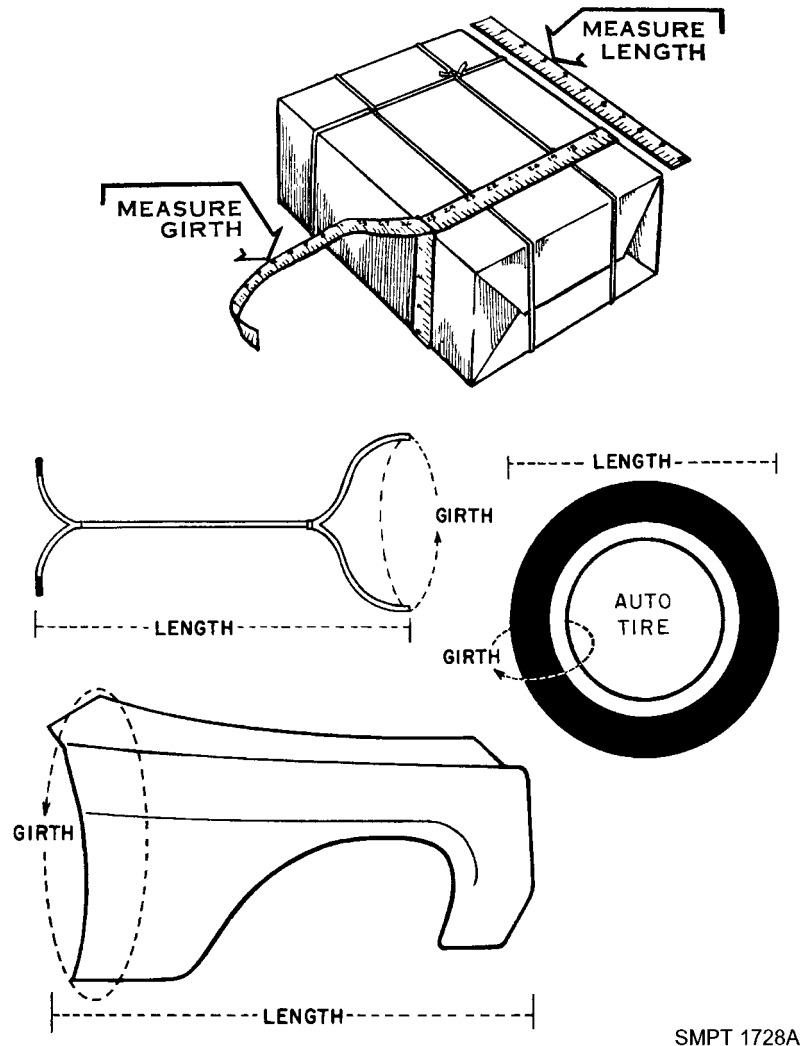
Reusable drums with protruding closure devices, such as locking rings, shall be cushioned to prevent injury to postal employees, equipment or other mail.

Outside Wrapping and Closure

When a box itself is an adequate shipping container, paper wraps should be omitted. If a paper wrap is used as an outside cover for boxes, the paper should have at least 60 pounds basis weight. Closure and reinforcement should be made by the use of tape.

Closure and reinforcement is accomplished by using gummed and pressure-sensitive tapes, adhesive, strapping, and staples for boxes and bags. Various friction closures, screw caps and locking devices for cans and similar containers. General purpose transparent mending tape and masking tape shall not be used for closure or reinforcement, but may be used to augment adhesive closure on envelopes or to cover staples on bags. Pressure sensitive filament reinforced tape or reinforced paper tape is recommended for closure and reinforcement. Except for pressure sensitive filament tape, tapes used for closure and reinforcement shall be not less than 2 inches wide.

When strapping is used for closure and reinforcement, it should encircle the length an girth of the package at least once. Twine and cord should not be used. Loose strapping is not acceptable because it presents a hazard to employees and equipment and does not reinforce the container.



SMPT 1728A

Figure 1-43. Post office measurement requirements.

Marking of Parcels and U.S. Mailbags

Parcels shall be marked to show the consignor; consignee; Transportation Control Number (TCN); and required delivery date, project code, and mark for, when specified.

Marking of U.S. mailbags shipped both domestically and overseas should be tagged in the space located on the locking device to prevent possible opening in transit. Suggested wording of the tag is "OFFICIAL MAIL FOR ORGANIZATION OF ADDRESS. DO NOT OPEN IN TRANSIT."

In addition to the postage tag located on the locking device of the mailing bag, an additional tag will be attached. The tag will notify the local postal authorities that the bag is to be delivered intact to its destination and will contain the complete address to which the bag is destined and the return address.

CHAPTER 2

FIBERBOARD AND PAPERBOARD CONTAINERS

FIBERBOARD BOXES

DESCRIPTION OF FIBERBOARD BOXES

A fiberboard box is a container made of one or more pieces of corrugated or solid fiberboard. The pieces are creased, slotted, joined, and folded according to standard styles described in ASTM D 5118, ASTM D 1974 and illustrated in figures 2-6, 2-7, 2-8, and 2-9.

USE OF FIBERBOARD BOXES

The quantity of fiberboard boxes used in military shipments are increasing steadily and rapidly. A fiberboard box weighs considerably less than a wooden box of the same capacity. This difference in weight is a factor when large shipments are involved, as any saving of weight is reflected in lower shipping cost and easier handling. The main requirements for a shipping container are light weight, low cost, ability to withstand rough handling, and ability to protect the contents against loss or damage. Motor trucks, airplanes, container cars, skid platforms, lift trucks, platform slings, and palletized loads have been important factors in reducing transportation and handling hazards, thus expanding the use of lightweight fiberboard boxes.

Advantages in the Use of Fiberboard Boxes. Fiberboard boxes are adaptable to a great variety of packaging and packing conditions. They offer the following advantages:

- They are made of materials of exactly the specified strength and water resistance.
- They are prefabricated.
- They are made in several styles to suit different shapes and sizes of items.
- They are shipped and stored in the flat, and hence save shipping and storage space.
- They are easy to assemble and handle.
- They are light in weight and relatively strong.
- They are neat in appearance and easy to mark.
- When packed, they occupy less space than most other containers of the same inside dimensions.

CLASSIFICATION OF FIBERBOARD BOXES

Fiberboard boxes, for domestic and oversea shipments, have been consolidated under ASTM D 5118 and ASTM D 1974. Fiberboard material must conform to ASTM D 4727. Boxes may be procured or fabricated in the following types and classes:

- Types (see fig 2-1)
 - Type CF Boxes - Type CF boxes are fabricated from corrugated fiberboard (CF) stock. Corrugated fiberboard has

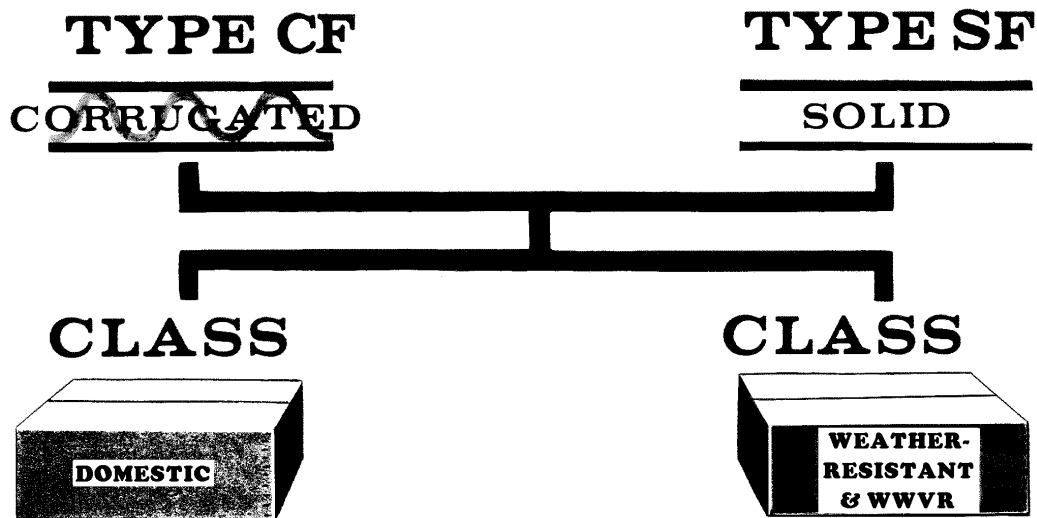
- o two varieties: Single-wall (SW) and double-wall (DW) construction.
- o Type SF Boxes - Type SF boxes are fabricated from solid fiberboard (SF).
- CLASSES
 - o Domestic class boxes are made to meet the requirements of table 1, ASTM D 4727 for bursting strength and the weight of the facing materials. (See figure 2-1, table 2-1.)
 - o Corrugated fiberboard, class weather-resistant (WR), and waterproof and water vapor resistant (WWVR) - The WR and WWVR boxes, both single and double wall, will meet the bursting strength and thickness for the grade and variety as described in table 2, ASTM D 4727. (See figure 2-1, table 2-2).

Grades of fiberboard

Different strengths of fiberboard are indicated as grades. Grades of fiberboard for class domestic are types CF and SF. Type CF is differentiated by PSI (pounds per square inch) of bursting strength (tables 2-1 through 2-4).

Weather-resistant grades of fiberboard are identified by a letter-number combination such as V2, V3, W5, and W6 which represent different bursting strengths. The numeral in each combination represents the grade of material and the letter in each combination represents a kind of fiberboard (V- or W-board). V-board is a heavy-duty, highly weather-resistant board, and W-board is a lower strength, highly weather-resistant board (see table 2-2).

Type CF (corrugated fiberboard) can be obtained in grades 3, 5, 6, 11, 13, and 15, with compliance symbols of V3c, W5c, W6c, V11c, V13c, and V15c. The small "c" indicates corrugated fiberboard.



SMPT 449F

Figure 2-1. Classification of fiberboard boxes.

Type SF (solid fiberboard) can be obtained in grades 125, 175, 200, 275, 350, 500 and 600 with compliance symbols of V2s, V3s, V4s, W5s, and W6s, as shown in figure 2-1, tables 2-3 and 2-4, which are taken from ASTM D 4727. The small “s” indicates solid fiberboard.

Waterproof and water vapor resistant (WWVR) grades of fiberboard are identified by a letter-number combination followed by the letter "WWVR". Waterproof and water vapor resistant boxes are fabricated from type CF (corrugated fiberboard) and can be obtained in grades V3c, W5c, V15c, and W6c (each followed by “WWVR”) in the single wall variety and grades V11 and V13 (each followed by “WWVR”) in the double-wall variety.

Table 2-1. Type CF (Corrugated Fiberboard), Domestic

Variety	Grade	Combined Weight Facings Only, min	Bursting Strength, Dry, min ^A	
		lb/1000 ft ² (g.m ²)	psi (kPa)	
SW	125	52(254)	125(862)	
SW	150	66(322)	150(1034)	
SW	175	75(366)	175(1207)	
SW	200	84(410)	200(1379)	
SW	275	138(674)	275(1896)	
SW	350	180(879)	350(2413)	
DW	200	92(449)	200(1379)	
DW	275	110(537)	275(1896)	
DW	350	126(615)	350(2413)	
DW	500	222(1084)	500(3447)	
DW	600	270(1318)	600(4137)	
			Puncture	
			in. oz/inches of tear	(J)
TW	1100	264(1289)	1100	(33)

^A Only one burst of the initial six may fall beneath the minimum required. Domestic board failing to pass this test will be accepted if, in a retest consisting of 24 bursts (12 from each side of the board), not more than 4 bursts fall below the minimum value required.

Table 2-2 Type CF (Corrugated Fiberboard), Weather-Resistant, and Water and Water Vapor Resistant Classes (WWVR)

Variety	Grade ^{A,C}	Thickness, in. (mm) ^B		Bursting Strength, psi (kPa), min avg	
		Corrugating Medium	Outer Facings	Dry	Wet ^D
SW	V3c	0.010(0.254)	0.023(0.584)	400(2758)	150(1034)
SW	W5c	0.010(0.254)	0.016(0.406)	275(1896)	100(689)
SW	W6c	0.010(0.254)	0.010(0.254)	175(1207)	50(345)
DW	V11c	0.010(0.254)	0.023(0.584)	600(4137)	300(2068)
DW	V13C	0.010(0.254)	0.016(0.406)	400(2758)	200(1379)
DW	V15c	0.010(0.254)	0.010(0.254)	300(2068)	100(689)

^A Includes WWVR grades.

^B A - r%, or unlimited plus tolerance shall be permitted.

^C For doublewall fiberboard, the inner facing shall be the same thickness as the outer facing.

^D After 24 h immersion (see 9.2.1)

Table 2-3 Type SF (Solid Fiberboard): Class Domestic, All Grades

Grade	Combined Weight of Plies Before Lamination, lb/1000 ft ² (g/m ²), min	Bursting Strength, psi (kPa), min ^A
125	114(557)	125(862)
175	149(727)	175(1207)
200	190(928)	200(1379)
275	237(1157)	275(1896)
350	283(1382)	350(2413)
500	330(1611)	500(3347)
600	360(1758)	600(4137)

^A Only one burst of the initial six may fall beneath the minimum required. Domestic board failing to pass this test will be accepted if, in a retest consisting of 24 bursts (12 from each side of the board), not more than 4 bursts fall below the minimum value required.

Table 2-4 Type SF, Class Weather-Resistant, All Grades

Grade	Thickness, in. (mm) ^A	Bursting Strength, psi (kPa)	
V2s	0.090(2.29)	550(3792)	500(3447)
V3s	0.090(2.29)	400(2758)	150(1034)
V4s	0.080(2.29)	400(2758)	150(1034)
W5s	0.075(1.91)	275(1896)	100(689)
W6s	0.060(1.52)	175(1207)	50(345)

^A A" 10% tolerance shall be permitted.

Capabilities of Fiberboard Boxes

The three principal factors affecting the carrying capacity of corrugated and solid fiberboard boxes are resistance to compression, strength at the score lines, and resistance to puncture. A fourth factor that should be taken into consideration is the ability of fiberboard to resist the weakening effect of moisture. The importance of the first three factors varies according to the commodity for which a particular box is designed, and the type of interior packing employed.

Resistance to compression, for example, is a relatively minor factor when the contents support the walls of the container or when the interior packing furnishes the necessary support. When these factors are not present, the shipper must make certain that the container has sufficient resistance to compression to prevent it from caving in when it is placed in the bottom tier of a pile of similar boxes. Corrugated and solid fiberboard boxes may be used to ship articles that are not readily susceptible to damage resulting from ordinary distortion of the container. The manner in which a commodity is packed governs to a great extent its condition on arrival at destination. Therefore, the selection of the proper style, class, and grade of fiberboard box should be carefully considered to ensure the commodity against the hazards of storage, shipment, and handling.

The items normally packed in fiberboard boxes are type 1 or type 2 loads. Type 3 loads should be converted to type 1 or type 2 loads by proper interior packing.

Uses and Limitations of Class Domestic Fiberboard Boxes

The uses of fiberboard boxes are essentially as indicated above. Many variations of special die-cut inserts, scored pads, and partitions can be fabricated to give additional protection to the item. The columns for corrugated and solid fiberboard (CF and SF) show the minimum bursting strength of the fiberboard in pounds per square inch which determines the grades.

Uses and Limitations of Class Weather-resistant and WWVR Fiberboard Boxes

V-board was developed primarily for the fabrication of exterior containers for oversea shipment. W-board was developed primarily for the fabrication of interior containers which are packed in exterior containers for oversea shipment. At oversea points, the exterior pack is sometimes removed and the W-board boxes become the exterior containers. When W-board boxes are used as exterior containers, their weight and dimensional limitations should

not be exceeded. Although both V- and W-boards are highly water resistant, boxes made from these materials will permit the entrance of water through the corners and joints. When packed items are of such a nature as to be damaged by water, waterproofing is provided by the use of individual wraps of material conforming to PPP-B-1055; by the use of case liners conforming to MIL-L-10547; or by the use of waterproof, pressure-sensitive tape conforming to ASTM D 5486, applied as shown in figure 2-2 after proper closure of the box. In accordance with ASTM D 5118, tables 2-5 and 2-6 are used to determine the weight and size limitation when class weather-resistant fiberboard boxes are required. Compliance symbols are given in the first column.



Figure 2-2. Sealing Method B.

Table 2-5 Size and Weight Limitations for Types CF^A and SF^A Domestic Fiberboard Boxes

Type CF Variety		Type SF	Max Weight of Boxes		Max Inside Dimensions
SW ⁴	DW ⁴		and Contents		Length + Width + Depth
Grade	Grade	Grade	lb	(kg)	in.
125	125	20	(9.1)	40
150	30	(13.6)	50
175	175	40	(18.1)	60
200	200	200	65	(29.5)	75
275	275	275	90	(40.8)	90
350	350	350	120	(54.4)	100
	500	500	140	(63.5)	110
	600	600	160	(72.6)	120

^A Explanation of abbreviations in Table 1

CF - Corrugated Fiberboard

SF - Solid Fiberboard

SW - Singlewall Fiberboard

DW - Doublewall Fiberboard

Table 2-6 Size and Weight Limitations for Class Weather-Resistant (WR) and Water/Vapor Resistant (WWVR) Fiberboard Boxes Used as Exterior Containers^A

NOTE - The gross weight and size limit expressed in the circular or rectangular boxmaker's certificate shall conform to the requirements of the Uniform Freight Classification or National Motor Freight Classification Rules, as applicable, and may not necessarily be the same as those stipulated in Table 2.

Grade ^B (Compliance Symbol)	Max Weight of Boxes and Contents		Max Inside Dimensions Length + Width + Depth	
	lb	(kg)	in.	(mm)
V2s	120	(54.4)	100	(2540)
V3s, V4s, and V3c	90	(40.8)	90	(2286)
W5s and W5c	65	(39.5)	75	(1905)
W6s and W6c	30	(13.6)	30	(762)
V11c	160 ^C	(72.6)	120	(3048)
V13c	120	(54.4)	100	(2540)
V15c	90	(40.8)	90	(2286)

^A Not applicable to interior boxes

^B Reference Specification D 5118/5118M for specific details of construction

^C Maximum weight may be increased to 225 lb (102 kg) provided the manufacturer's body joint is fastened with metal fasteners spaced not more than 1 in. (25 mm) apart (see 8.1.8)

MATERIALS

Corrugated Fiberboard

Corrugated fiberboard is fabricated of flat sheets of paperboard (called facings) glued to the crowns of a corrugated sheet of the same material. Strength requirements are obtained by varying caliper, number, and quality of the component facings and the corrugated medium. Corrugated fiberboard has low resistance to puncture but affords a high degree of resilience and cushioning. Single-wall (SW, also called double-faced), corrugated fiberboard consists of two outer paperboard facings laminated to a corrugated sheet between them (fig 2-3). Double-wall (DW) corrugated fiberboard consists of three flat facings and two corrugated sheets, a center facing, a corrugated sheet, and a facing (fig 2-3). It is this combination of flat and corrugated sheets that gives corrugated fiberboard its qualities of strength and resilience. Corrugated fiberboard is constructed with different kinds and arrangements of flutes. The "A" flute, with 36 plus or minus 3 flutes per linear foot, is generally used where cushioning of contents is desired. The "B" flute, with 50 plus or minus 3 flutes per linear foot, is used where the contents that support the box are of low fragility. The "C" flute, with 42 plus or minus 3 flutes per linear foot, can be made to serve either propose. The "E" flute is 94 flutes per foot, plus or minus 4 flutes (fig 2-4). The "A" flute is the largest of the three and its strength is realized in stacking applications. Its ability to withstand impact as well as its resistance to flat crushing is the lowest of the four flute sizes due to the lesser number of flutes per linear span. The smallest standard flute size, "E", is the weakest in terms of stacking strength, but it performs very well under puncture and flat crush stress. The "C" flute, which is the middle size flute, will perform moderately well in all three areas--stacking, puncture, and flat crush. It is used where maximum strength in any one area is not required, but where weakness in no area can be tolerated.

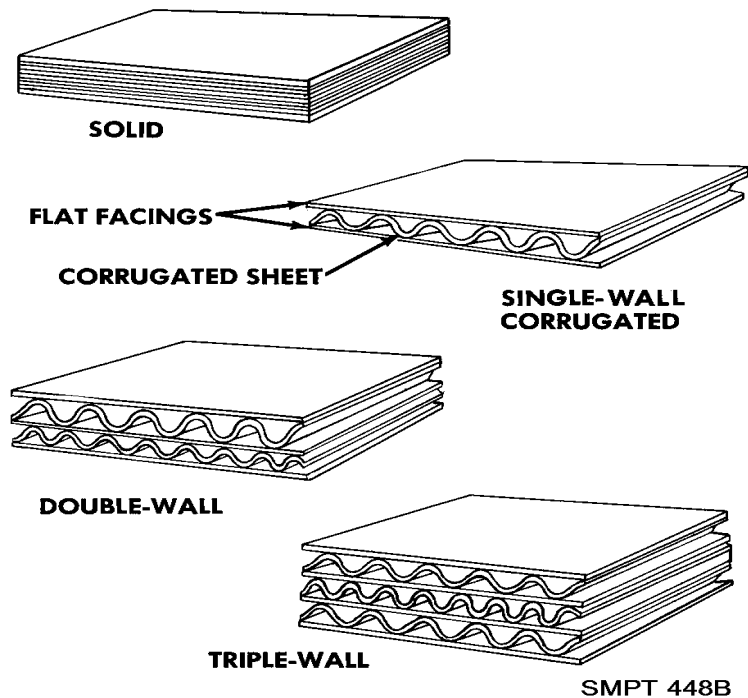


Figure 2-3. Types and varieties of fiberboard.

FLUTE SIZES

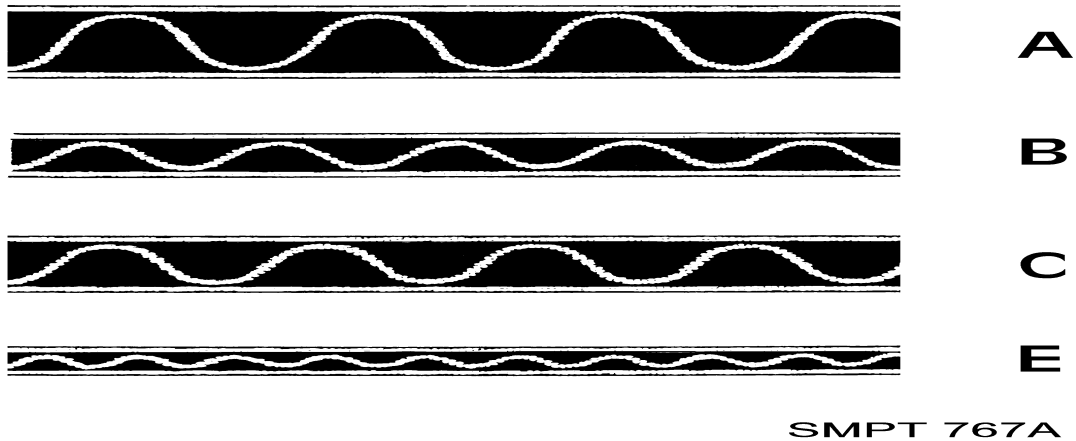


Figure 2-4. Corrugated fiberboard flutes.

Domestic Fiberboard Boxes

Variety SW fiberboard used to fabricate type CF boxes will be A, B, C, or E flute at the option of the supplier. Variety DW fiberboard used to fabricate type CF boxes will be any combination of A, B, C, or E flutes, except they shall not be BB, EE, or BE flute. Type CF boxes, fabricated from variety SW or DW fiberboard shall have the flutes running perpendicular to the scores of the box openings. When specified, the flutes for variety SW or DW fiberboard will run horizontal to the scores of the box openings for boxes of a size that the top and bottom openings are on the smallest panels.

Weather-Resistant And WWVR Fiberboard Boxes

Variety SW fiberboard used to fabricate type CF boxes will be either A, B, or C flute as specified. Conventional slotted type CF boxes shall have the flutes run perpendicular to the scores of the box openings. When specified, the flutes for these boxes shall run horizontal to the scores of the box openings for boxes of a size and style that the top and bottom openings are on the smallest panel. For Styles DBLCC and IC boxes (fig 2-7), they shall have the flutes run the depth of the box perpendicular to the opening.

Solid Fiberboard, Type SF

Solid fiberboard consists of two or more flat plies of paperboard laminated together with an adhesive applied over the entire area of contact between the sheets (fig 2-3). The combined material is solid, hard, and rigid, and boxes fabricated from it resist puncture to a high degree but offer little cushioning to their contents. They do, however, offer greater resistance to rough handling and wear, and are better adapted for use in shipping heavier and less fragile items than those shipped in corrugated fiberboard boxes. If the weight of the box and contents does not exceed 40 pounds, the fiberboard will not be less than two-ply. If the weight exceeds 40 pounds, the fiberboard will be not less than three-ply.

Tapes

Among the tapes most commonly used for closing and sealing fiberboard boxes are--

- ASTM D 5486, a pressure-sensitive water-resistant, paper-backed tape, normally used to close interior containers. ASTM D 5486 is also a pressure-sensitive waterproof tape, used to close and waterproof interior and exterior fiberboard boxes.
- A-A-1492, A-A-1671, a reinforced, paper-gummed tape, used for sealing fiberboard containers for domestic shipment and storage.

Adhesive

Adhesive used for closing fiberboard boxes will conform to MMM-A-250.

Metal fastenings

Metal fastening for securing the manufacturer's joint and closing class weather-resistant and WWVR fiberboard boxes, will be commercially preformed staples or staples from commercial steel stitching wire. The staples will be treated with a commercially applied coating of zinc or copper wash to resist corrosion. ASTM D 5118 and ASTM D 1974 specifies the sizes of staples to use.

Reinforcing materials

Flat steel strapping ASTM D 3953; nonmetallic strapping, ASTM D 3950; or pressure-sensitive, filament-reinforced tape ASTM D 5530 are used to reinforce packed and closed fiberboard boxes. Another document to reference is ASTM D 4675, Standard Guide for Selection and Use of Flat Strapping Materials.

Fabrication of the Boxes

Cutting, scoring, and slotting. Special machines are used to cut, score, and slot the fiberboard material so that it can be made into a box.

Body joint (manufacture's joint)

Domestic boxes, types CF and SF. The body joint (manufacture's joint) of domestic, corrugated fiberboard boxes will be either overlapped or butted, as specified (fig 2-5). The type SF joint shall be overlapped.

Overlapped Joint (Joint Tab)

The joint shall be made with fiberboard joint tab overlap not less than 1 1/4 in. (32 mm) wide with the length of the overlap equal to the inside depth of the box. The joint tab may be an extension of either the end or side panel of the box. When specified the joint tab may extend into the flap area and be secured. The joint tab shall be fastened either inside or outside the adjoining panel and the top and bottom edges of the front tab shall be no more than 3/16 in. (5 mm) below the top or above the bottom scoreline of this panel. The overlapped joint of type CF boxes shall be fastened with adhesive. The toxicity requirement may be waived when packing items other than food. When adhesive is used it shall be applied so as to cover the full area between the joint tab and the adjoining panel. The adhesive shall substantially extend to all edges of the overlap. The overlapped joint of type SF boxes shall be fastened with metal fasteners. Metal fasteners for the type CF and type SF boxes having a depth dimension of 18 in. (457 mm) or less shall be spaced not more than 3 in. (76 mm) apart center to center.

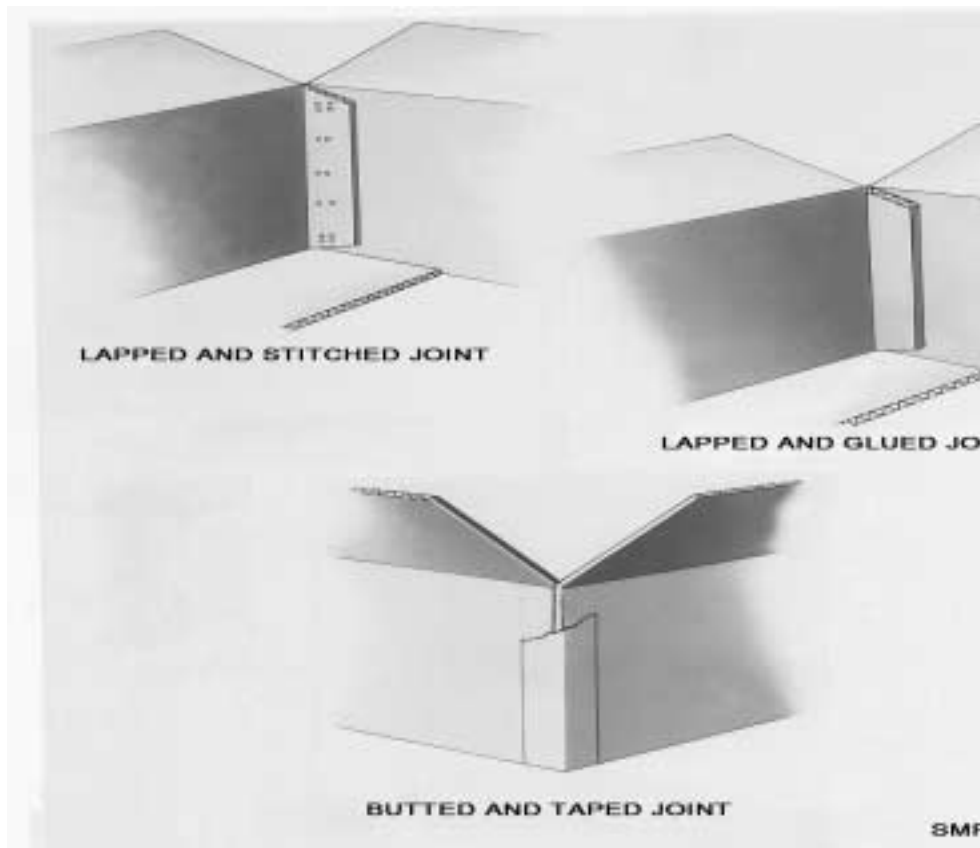


Figure 2-5. Body joints for fiberboard boxes.

Metal fasteners for the type SF box having a depth dimension greater than 18 in. (457 mm) shall be spaced not more than 2 2 in. (64 mm) apart center to center. The distance between the ends of the joint and the nearer end of the nearest fastener shall not exceed 1 in. (25 mm). Metal fasteners may be applied diagonally, vertically or horizontally at the option of the supplier.

Weather-resistant and WWVR Boxes, Type CF and SF

The lap joint shall be used on weather-resistant and WWVR grade boxes (fig 2-5). The lap joint will overlap either inside or outside the box not less than 1 1/2 inches, and will be secured with steel staple or steel stitching wire. The staples or stitches will be spaced not more than 2 inches apart, and the distance between the outer stitches and the end of the joint will not exceed 1 inch. An additional tie-stitch will be used about 1/4 to 3/4 inch from each end of the joint.

In lieu of a tie-stitch joint, boxes may be stapled or stitched with the same number of fasteners (including tie-stitches) equally spaced in a single row. When specified, the body joints of grades W5c, W6c, and V3c fiberboard boxes may be secured by the use of adhesive conforming to MMM-A-250.

Butted Joint (Type CF Only)

The butted joint shall be made by fitting the edges of the panels to be joined closely together and securing them with gummed tape. Tape used to secure the body joint of boxes having gross weight, of 40 lb (18 kg) or less (grade 125 to 175) shall be that normally used by the industry for this purpose.

Tape used to secure the joints of boxes having a gross weight of more than 40 lb (18 kg). (Grades over 175) shall be reinforced with sisal, cloth, glass, rayon or double strand nylon fibers. The tape shall be not less than 2 in. (51 mm) in width for boxes having a gross weight of 65 lb (30 kg) or less (grade 200 and below) and not less than 3 in (76 mm) in width for boxes having a gross weight over 65 lb (30 kg) (grade above 200). The tape shall be centered on the joint and extend its full length, or within 3/8 in (10 mm) or full length be centered on the joint and shall adhere over not less than 90% to the entire area of contact with the fiberboard.

Styles of Fiberboard Boxes

The styles covered in figures 2-6, 2-7, and 2-8 are the basic styles of domestic, weather-resistant, and WWVR fiberboard boxes.

RSC, Regular Slotted Box (figure 2-6)

In this design, all the flaps (inner and outer) are of equal length. The outer flaps meet in the center when closed. This style is the most commonly used.

SFF, Special Full Flap Slotted Box (figure 2-6)

In this design the inner flaps meet in the center of the box. A one-fourth inch gap is permitted.

FOL, Full Overlap Slotted Box (figure 2-6)

In this design, the length of the outer flaps shall be not less than the inside width of the box minus 1 inch. This design results in a container with at least two thicknesses of fiberboard covering the entire top and bottom surfaces.

OSC, Overlap Slotted Box (figure 2-6)

In this box, when closed, the inner flaps must not overlap, and the outer flaps will overlap the distance specified in the order or invitation for bids. The inner flaps will be of the same length as the outer flaps, except when the relation of width to length would cause the inner flaps to overlap. In such a case, the inner flaps will be cut to meet in the center of the box.

CSSC, Center Special Slotted Box (figure 2-7)

This box is designed so that the inner and outer flaps meet in the center giving a double thickness for top and bottom.

CSOSC, Center Special Overlap Slotted Box (figure 2-7)

This box is designed the same as the CSSC except the outer flaps are the same length as the inner flaps and may overlap. No flap cutting is required.

HSCC, Half Slotted Box With Cover (figure 2-7)

This box consists of a box body and a cover. The body is formed from fiberboard, scored, slotted, and stitched to form a tube having four flaps of equal length, approximately half the width of the box, on the bottom only. Unless otherwise specified the cover shall be a Type I. When specified the cover shall be a Type II. The depth of the cover is 3 in. unless otherwise specified.

DBLCC, Double Cover Box (figure 2-7)

This box consists of a body tube and two covers. Unless otherwise specified Type I covers, three inches deep, are to be used.

IC, Interlocking Double Cover Box (figure 2-7)

This box consists of a body tube with top and bottom flanges and two interlocking covers. The body shall be SW or DW fiberboard, scored, slotted, and stitched to form a tube having double scored short flanges which form a lock with the flanges of the cover (fig 2-10). The top and bottom covers shall be secured with horizontal straps. Unless otherwise specified the flanges shall be 3 in. wide for boxes made with single-wall fiberboard and 4 in. wide for boxes made with double-wall fiberboard.

FTC, Full Telescope Box (figure 2-8)

The box consists of a body and a snug fitting cover. The flaps of both may be positioned in one of 3 possible combinations. This style of box, when closed, has a triple thickness of fiberboard on all four corners, affording good stacking strength.

Type CF (corrugated fiberboard) can be obtained in grades 3, 5, 6, 11, 13, and 15, with compliance symbols of V3c, W5c, W6c, V11c, V13c, and V15c. The small "c" indicates corrugated fiberboard.

FTHS, Full Telescope Half Slotted Box (figure 2-8)

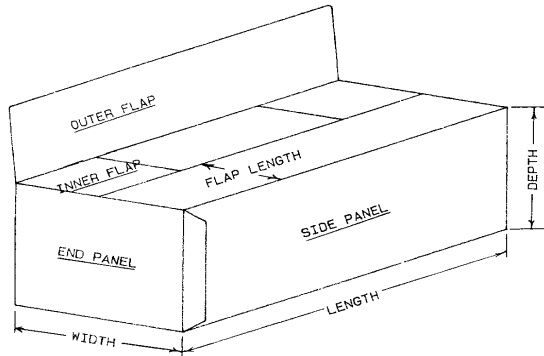
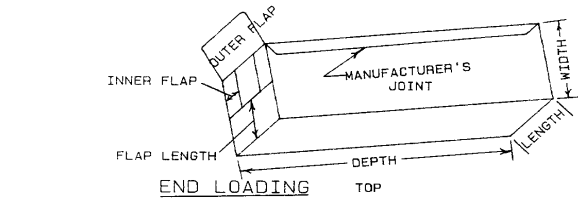
The box consists of a body and a telescoping cover, each constructed of one piece of scored and slotted fiberboard. The box dimensions shall be the inside measurements of the assembled box body. The cover shall be a snug fit on the body. The flaps along the longer edge of the box openings are the outer flaps and those along the shorter edge are the inner flaps. Flaps shall not project beyond an edge of the box. All flaps shall be of equal length with the outer flaps meeting in the center of the box but shall not overlap. A gap not to exceed 1/4 in. (6m.m.) will be permitted unless otherwise specified.

OPF, One-Piece Folder Box (figure 2-8)

When this box is closed, the outer flaps must meet. Unless otherwise specified, the inner flaps will not be less than 2 inches long for folders under 18 inches and over in width. this style is also known as a book wrapper.

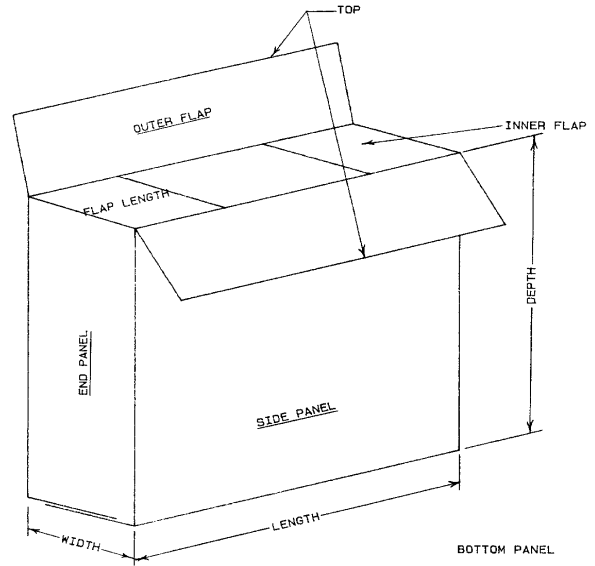
TS, Triple-Slide Box (figure 2-9)

This design, made from corrugated fiberboard only, is identified by the arrangement of corrugations in which all corrugations run at right angles to the score lines in all parts of the box. It consists of three slides, each of one piece of corrugated fiberboard, scored so as to cover completely four faces of the box. The joint of the inner slide will be left open. The middle slide will be taped at the body joint and will be a sliding fit on the assembled inner and middle slides.



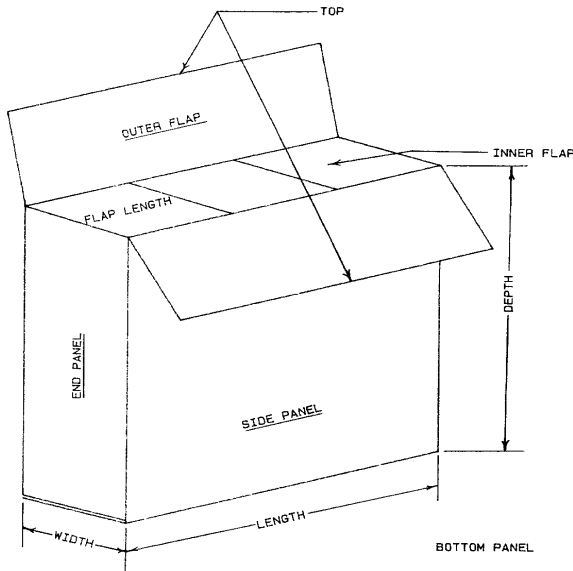
TOP LOADING
OUTER FLAPS MEET; INNER AND OUTER
FLAPS ARE OF EQUAL LENGTH

Box, Fiberboard; RSC—Regular Slotted Box



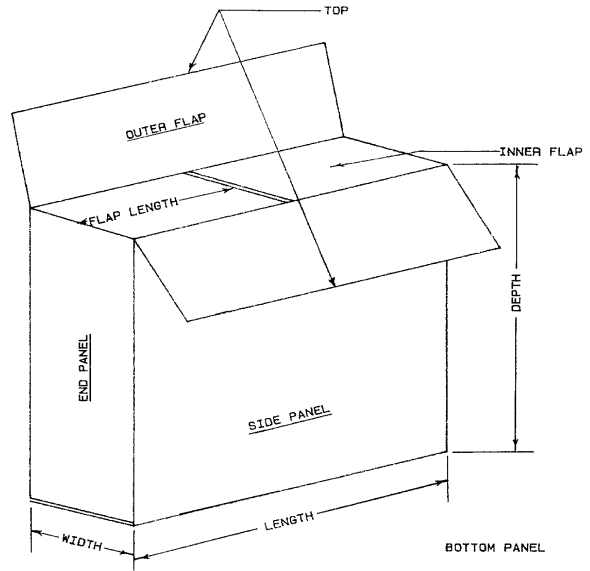
OUTER FLAPS OVERLAP AS SPECIFIED; INNER
FLAPS SAME LENGTH AS OUTER FLAPS

Box, Fiberboard; OSC—Overlap Slotted Box



OUTER FLAPS FULL OVERLAP (SEE DETAIL REQUIREMENTS)
INNER FLAPS SAME LENGTH AS OUTER FLAPS

Box, Fiberboard; FOL—Full Overlap Slotted Box

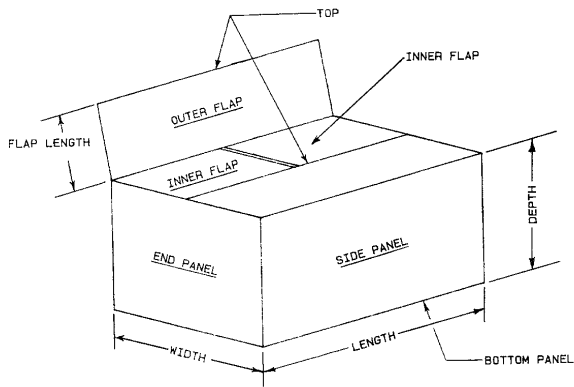


OUTER FLAPS FULL OVERLAP
(SEE DETAIL REQUIREMENTS)
INNER FLAPS MEET IN CENTER

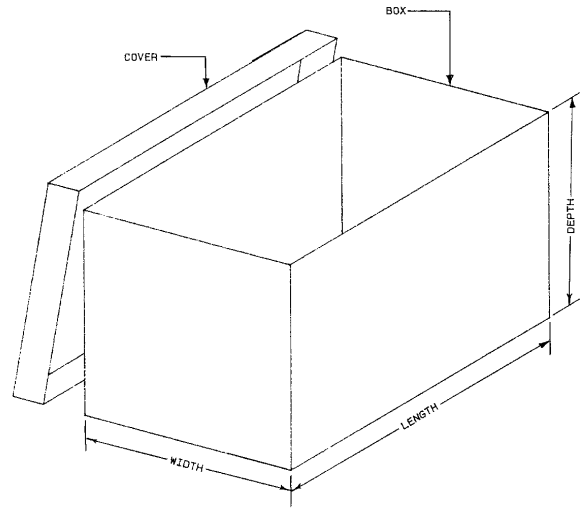
Box, Fiberboard; SFF—Special Full Flap Slotted Box

SMPT 3168

Figure 2-6. Styles of fiberboard boxes.

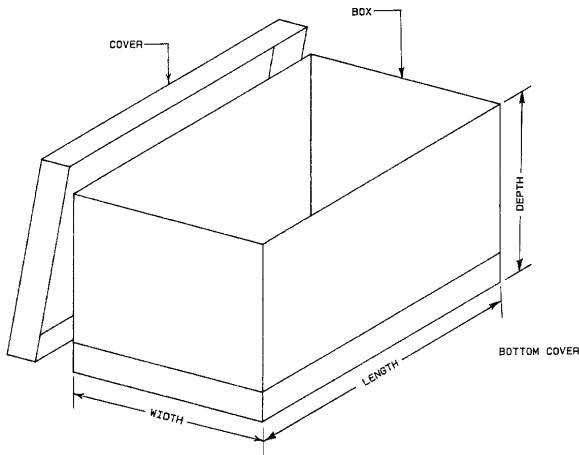


OUTER FLAPS MEET	_____	CSSC
INNER FLAPS MEET	_____	
OUTER FLAPS OVERLAP	_____	CSOSC
AT RANDOM NO FLAP CUTTING	_____	
INNER FLAPS MEET	_____	

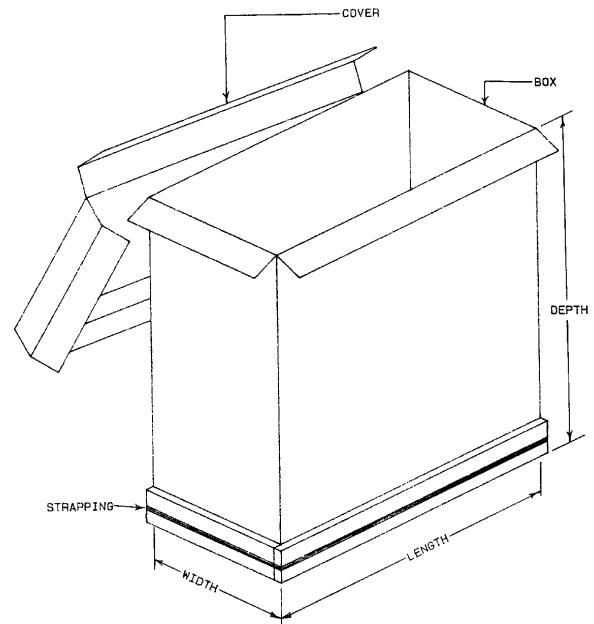


Box, Fiberboard; HSCC—Half Slotted Box with Cover

Box, Fiberboard; CSSC—Center Special Slotted Box and CSOSC—Center Special Overlap Slotted Box



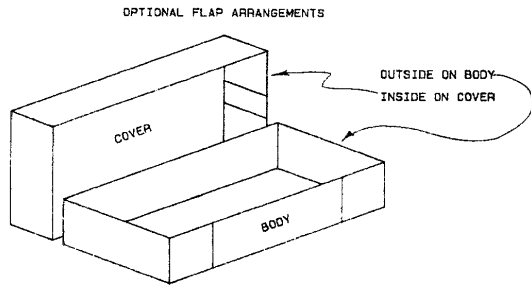
Box, Fiberboard; DBLCC—Double Cover



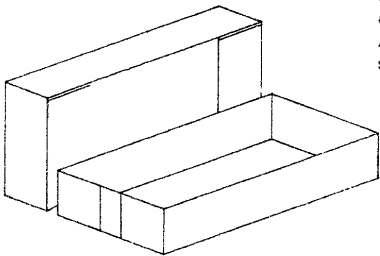
Box, Fiberboard; IC—Interlocking Double Cover

SMPT 3176

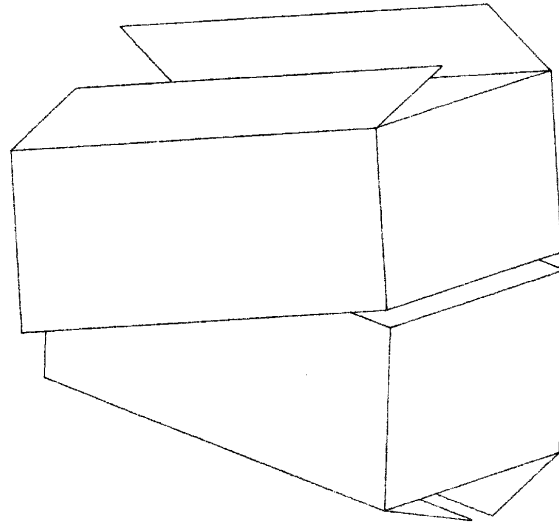
Figure 2-7. Styles of fiberboard boxes.



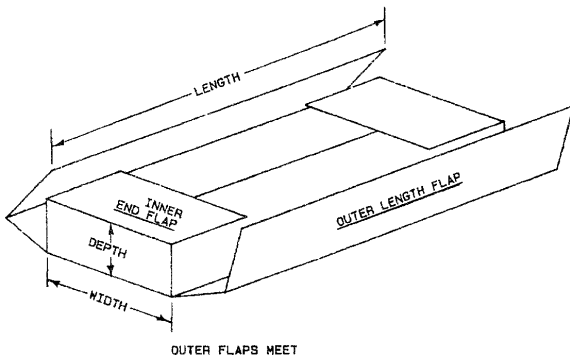
NOTE - UNLESS OTHERWISE SPECIFIED, COVER DEPTH SHALL EQUAL OVER-ALL OUTSIDE HEIGHT OF BODY; & BODY SLOTTING SHALL BE AT RIGHT ANGLES TO COVER SLOTTING



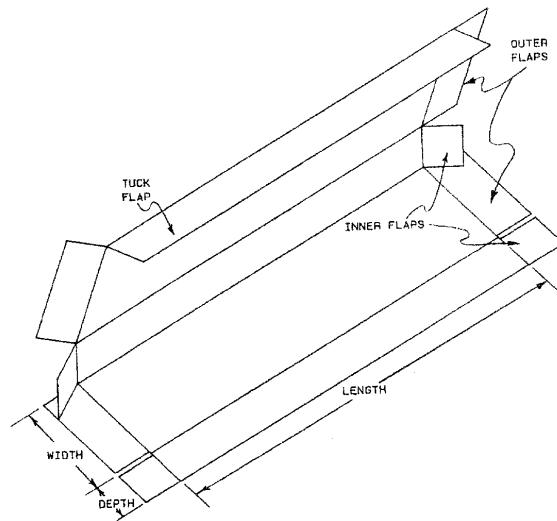
Box, Fiberboard; FTC—Full Telescope



Box, Fiberboard; FTHS—Two Piece Full Telescope Half Slotted Box



Folder; Fiberboard; OPF—One Piece Folder



Folder, Fiberboard; FPF—Five Panel Folder

SMPT 226

Figure 2-8. Styles of fiberboard boxes.

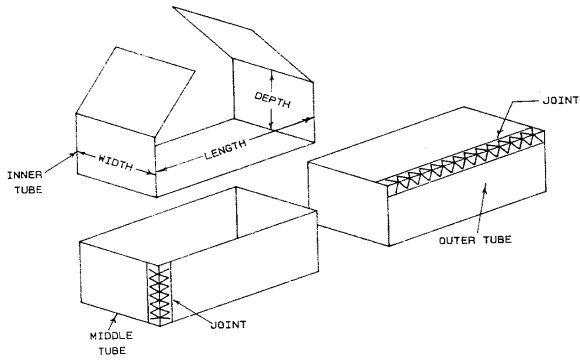


FIG. 13 Box, Fiberboard; TS—Triple Slide Box

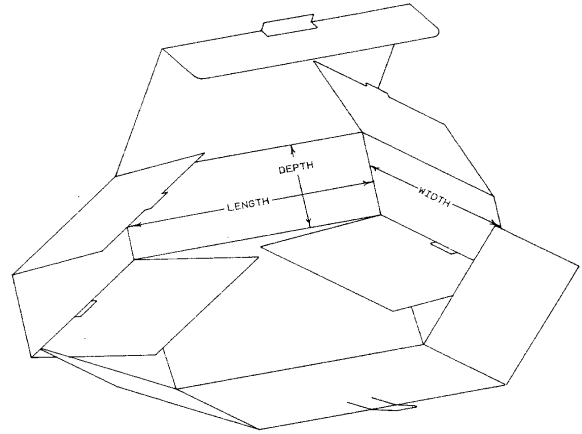
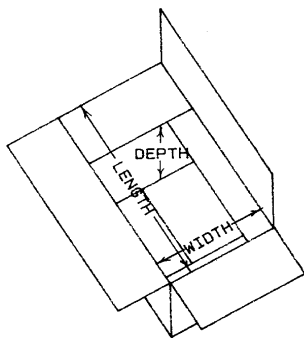
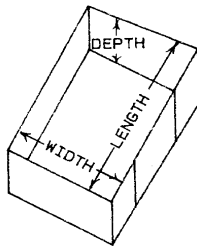


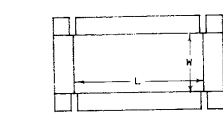
FIG. 14 Folder, Fiberboard; TSC—Tongue and Slot Closure



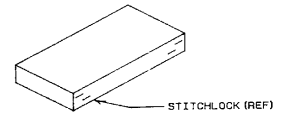
BOX BODY WITH FLAPS



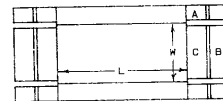
BOX BODY FOR FULL TELESCOPE CONTAINER



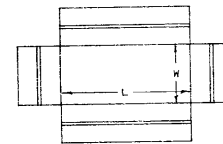
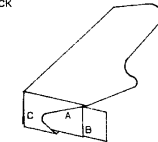
TYPE I STITCHLOCK



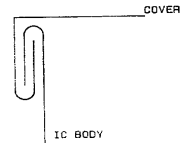
STITCHLOCK (REF)



TYPE II FRICTION LOCK

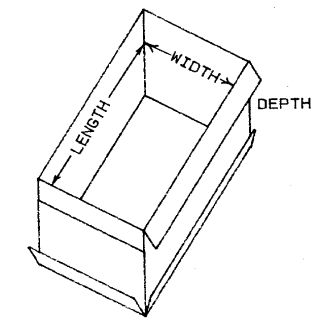


TYPE III FLANGE INTERLOCK

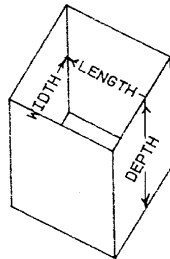


IC BODY

FIG. 16 Cover Assembly



BOX BODY FOR INTERLOCKING DOUBLE COVER



BOX: BODY

FIG. 15 Fiberboard Box Dimensioning

SMPT 3179

Figure 2-9. Styles of fiberboard boxes.

FPF, Five Panel Folder Box (figure 2-8)

This design consists of a single scored slotted sheet. When set up the outer end flaps will fully overlap. This box is used to an advantage in the packing of stacked or nested items which can be arranged on the flat scored sheet and when in position, the box is folded over the contents.

TSC, Tongue and Slot Closure Box (figure 2-9)

This box is constructed of one piece fiberboard, scored and slotted as shown.

Sleeves (fig 2-11)

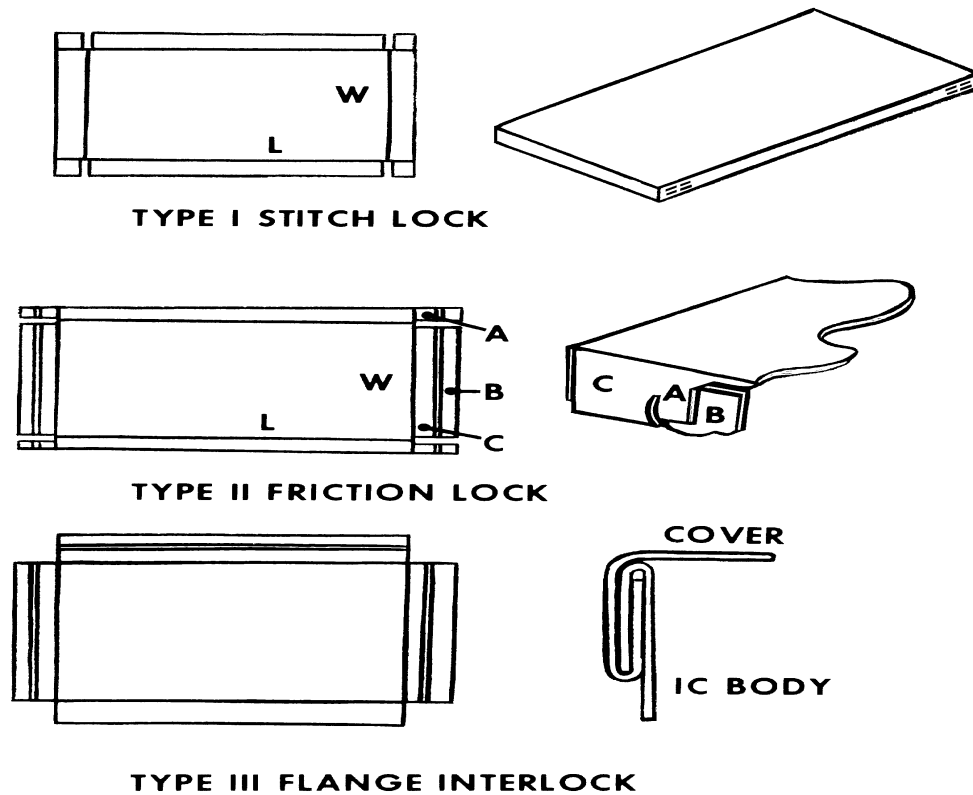
A sleeve may be specified for use with any of the box styles to provide added strength. Sleeves will be made from class weather-resistant fiberboard of the same type and grade as the box. A sleeve will closely fit the box over which it is placed and will cover the top and bottom, and both ends. The length of the sleeve (length of the stapled joint) will be the same as the inside width of the box. Unless otherwise specified, the corrugations will be at right angles to the score lines. If a butt joint is used it may be taped or the overlap joint may be stapled, stitched or glued. Alternatively, the location of the body joint shall be in the center of the top or bottom panel, providing the joint does not interfere with the required marking.

Liners (Fig 2-12)

Liners are made from one piece of fiberboard. They are scored to cover the end and side panels of the boxes. The height of the liners shall be the full inside depth of the boxes for which they are intended and the ends of the liners shall be about in the center of the side panels of the boxes.

Unless otherwise specified, liners for class domestic boxes shall be constructed for double-wall fiberboard, grade 275. The joints shall be secured with minimum 2 inch wide tape conforming to A-A-1492, A-A-1671. Liners shall be constructed from the same class of material as the boxes themselves.

Unless otherwise specified liners for class weather-resistant boxes shall be constructed of V15c fiberboard. When specified grade W5c, W6c, V3c, or V13c shall be used. Liners fabricated from single-wall fiberboard shall be A or C flute and liners fabricated from double-wall fiberboard shall be any combination of A, B, or C flutes, except BB flutes shall not be used. The flutes shall be perpendicular to the box openings (as shown in fig 2-12). The joints shall be secured with minimum 2-inch wide tape running not less than three quarters the length of the joint.



SMPT 2372

Figure 2-10. Cover assemblies.

BOX MAKER'S CERTIFICATE (FIG 2-13)

Each fiberboard box will be plainly marked with the box maker's certificate, signifying compliance with the requirements of the applicable freight classification rules. Type CF and type SF, class domestic boxes are not required to be marked as being in compliance with ASTMs. There is no objection to marking boxes that are manufactured in compliance with the specification. Types CF and SF, class weather-resistant boxes, in addition to the box maker's name, will be marked with the date of manufacture expressed in month and year, such as 7-93; the identification symbol, such as V3s; and the specification compliance data and the minimum average bursting strength guaranteed in excess of...PSI. The figure to be inserted should be that corresponding to the dry mullen requirements in ASTM D 4727 for the particular grade of fiberboard used. For shipments to Government agencies include the national stock number (NSN), inside dimensions and outside cube marked below the specification data on all exterior boxes procured as an item of supply.

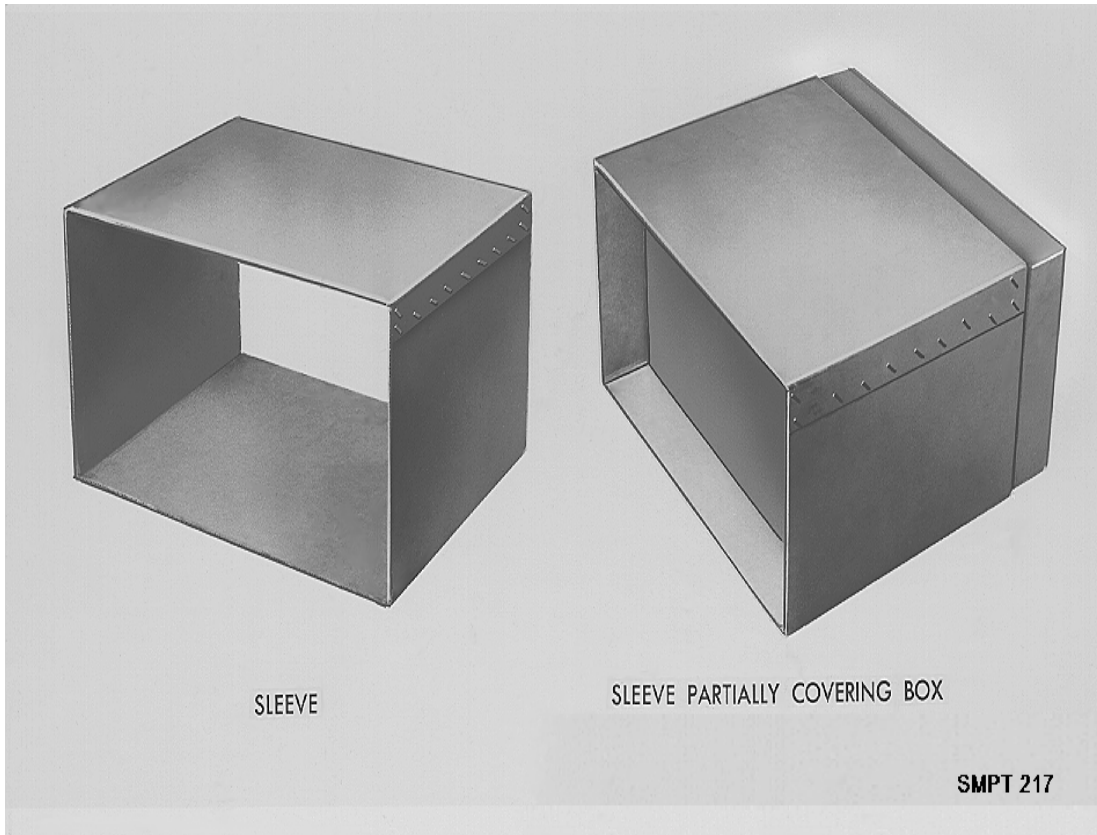


Figure 2-11. Use of fiberboard sleeve.

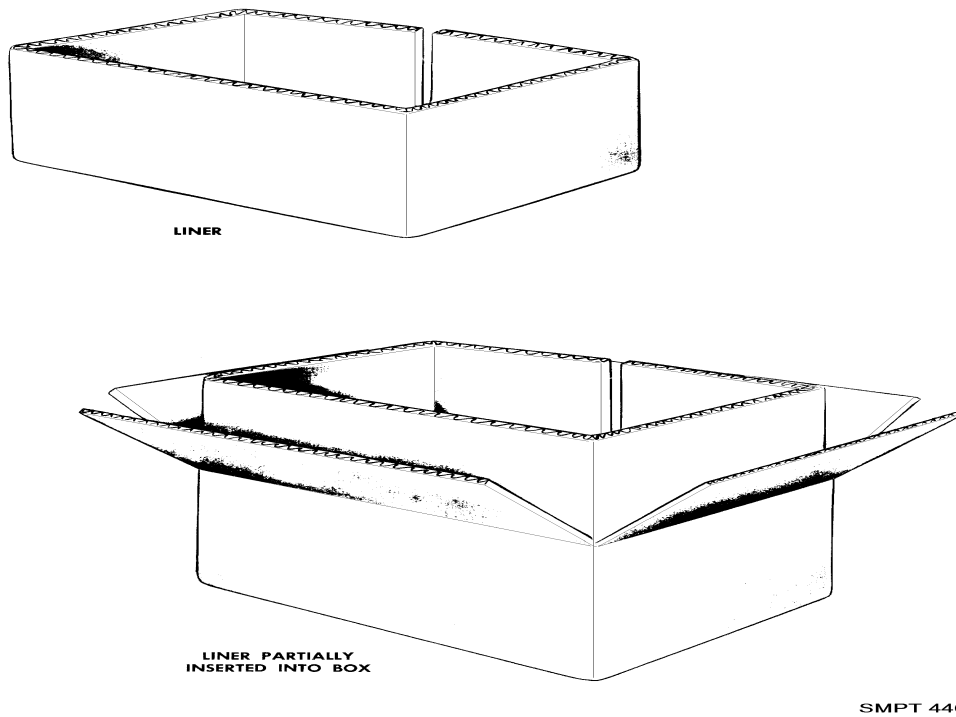
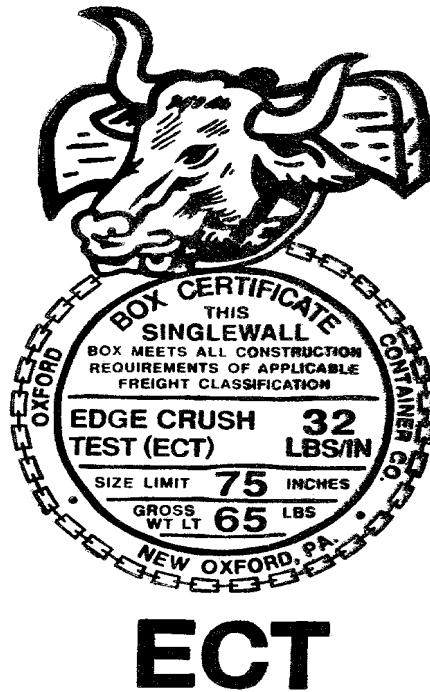


Figure 2-12. Use of fiberboard liner.



SMPT 3181B

Figure 2-13. Sample of box maker's certificate.

Closure Requirements

All boxes should be securely closed. Inner and outer flaps of slotted style boxes should be drawn together as closely as possible to insure proper closure. The lengthwise flaps should meet on (RSC, CSSC, DSC) or overlap on (OSC, CSOSC, FOL, SFF), as specified. The flaps should not project over the side or end edges, and the application of adhesive or metal stitches should be such as to prevent lifting of free edges and corners of outer flaps on assembled boxes. ASTM D 1974, standard practice for methods of closing, sealing, and reinforcing fiberboard shipping containers describes several methods to close seal and reinforce solid and corrugated (excluding triple wall) fiberboard.

Solid and corrugated fiberboard (excluding triple wall) boxes will use the methods for closure, sealing, and reinforcing which are described in ASTM D 1974, Standard Practice for Methods of Closing, Sealing and Reinforcing Fiberboard Shipping Containers. The ASTM lists, by box style, the appropriate closure method use of adhesives, tape, stitches/staples. For each method listed, details concerning the amount of adhesive required, or the type and size of tape used, or the number pattern of stitches/staples for that method are indicated. For example, to close a 12" wide (inside width) RSC container for government use, using stitches/staples, ASTM D 1974 indicates a closure method 2D3 may be used. The staples must have a 1/2" crown and be evenly distributed where the inner and outer flaps overlay each other. The number of 1/2" staples required to close the container is taken from the ASTM D 1974 table one referenced in the 2D3 method. (See table 2-7). The left column of the ASTM D 1974 table indicates the inside width of the box - in our example 12". Read to the right from our box width until it intersects with the column for closure method 2D3. Ten 1/2" staples or fasteners are

required for each end of the box. The pattern required for even distribution per closure method 2D3 is indicated in figure 2-14. Figures 2-15 through 2-19 provide examples of the closure methods for fiberboard boxes.

There are four methods of box sealing, Methods A through D (fig 2-19). They are described in section 7 of ASTM D 1974. Within each sealing method, the type of material authorized, its size, and its location on the box are specified.

Application of reinforcement (figure 2-20)

When only one band is required on a box in given direction, it shall be centered except in the case of lengthwise bands on styles RSC and CSSC boxes. On these styles the lengthwise band shall be offset slightly from the seam formed by the top and bottom flaps in the closed position. When two or more bands are used around the box in the same direction they shall divide the box into units of equal length. Cross banded boxes shall have the longer band applied first. Boxes carrying loads having restricted points of contact shall be banded, wherever practicable, over these points of contact. Bands shall be applied straight and shall be sufficiently tensioned. Metal bands shall be embedded into the edges of the box, but shall not cut or tear the fiberboard or crush the contents. When a sleeve is specified the bands shall be applied after the sleeve is placed on the box.

Metallic and nonmetallic strapping requirements are listed in table 2-8. The required number of reinforcing bands are identified in table 2-9.

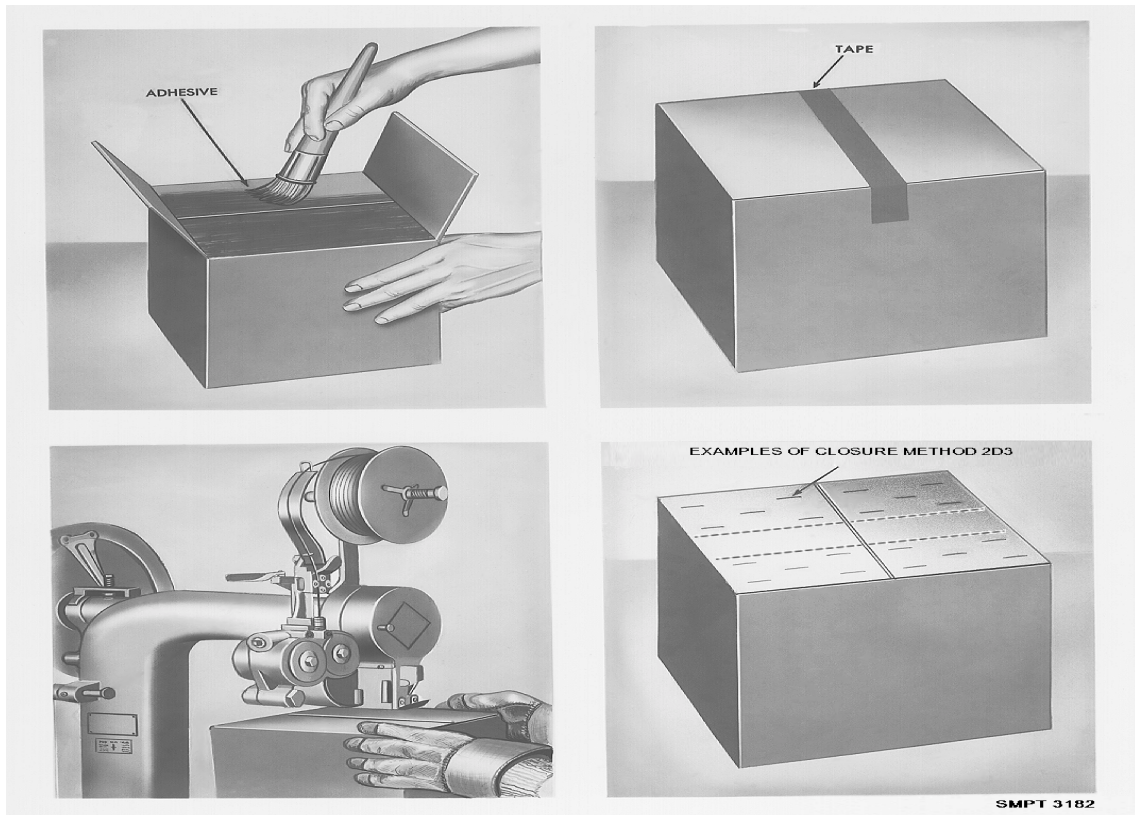


Figure 2-14. Closure of class weather-resistant and WWVR fiberboard boxes with adhesive and/or stitches.

Table 2-7 Number of 2 in. Crown Staples or Stitches for Regular Slotted Containers

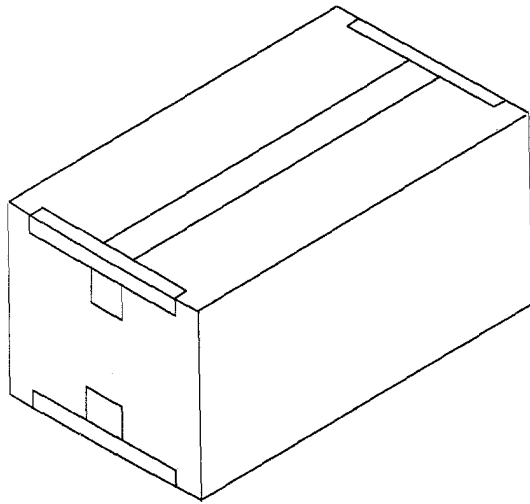
Inside Width of Box in ^A	Number of Fasteners at Each End of Box, by Method		
	2D1, Commercial, Fig 5	2S2, Rule 41, Fig. 6	2D3 Government, Fig 7
6	2	2	6
7	2	4	6
9	4	6	6
10	4	6	8
11	4	6	8
12	4	8	10
14	6	10	12
16	6	10	14
17	6	12	14
18	6	12	16
19	8	14	16
20	8	14	18
22	8	16	20
24	10	16	22

^A One inch = 25.4 mm

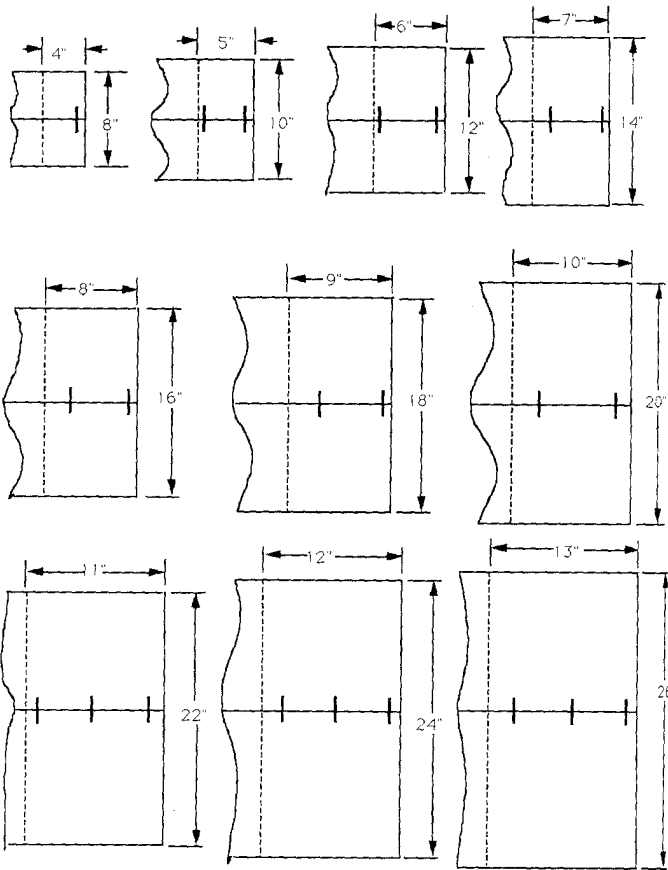
Number of Wide Crown Staples or Stitches for Regular Slotted Containers

Inside Width of Box in ^A	Number of Fasteners at Each End of Box, by Method		
	2D4, Commercial, Fig 8	2D5, Old Rule 41, Fig 9	2D6, Government, Fig 10
8	1	1	4
10	2	2	5
12	2	2	6
14	2	2	8
16	2	4	9
18	2	4	10
20	2	4	11
22	3	5	12
24	3	5	14
26	3	5	15

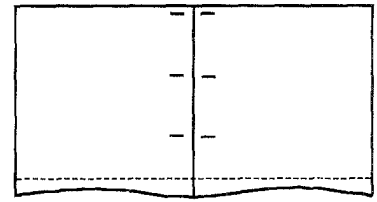
^A One inch = 25.4 mm



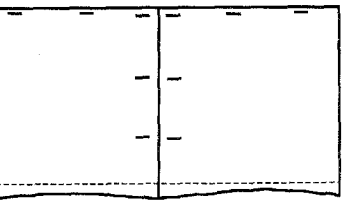
Example of Closure Method 2B7



Example of Closure Method 2D4



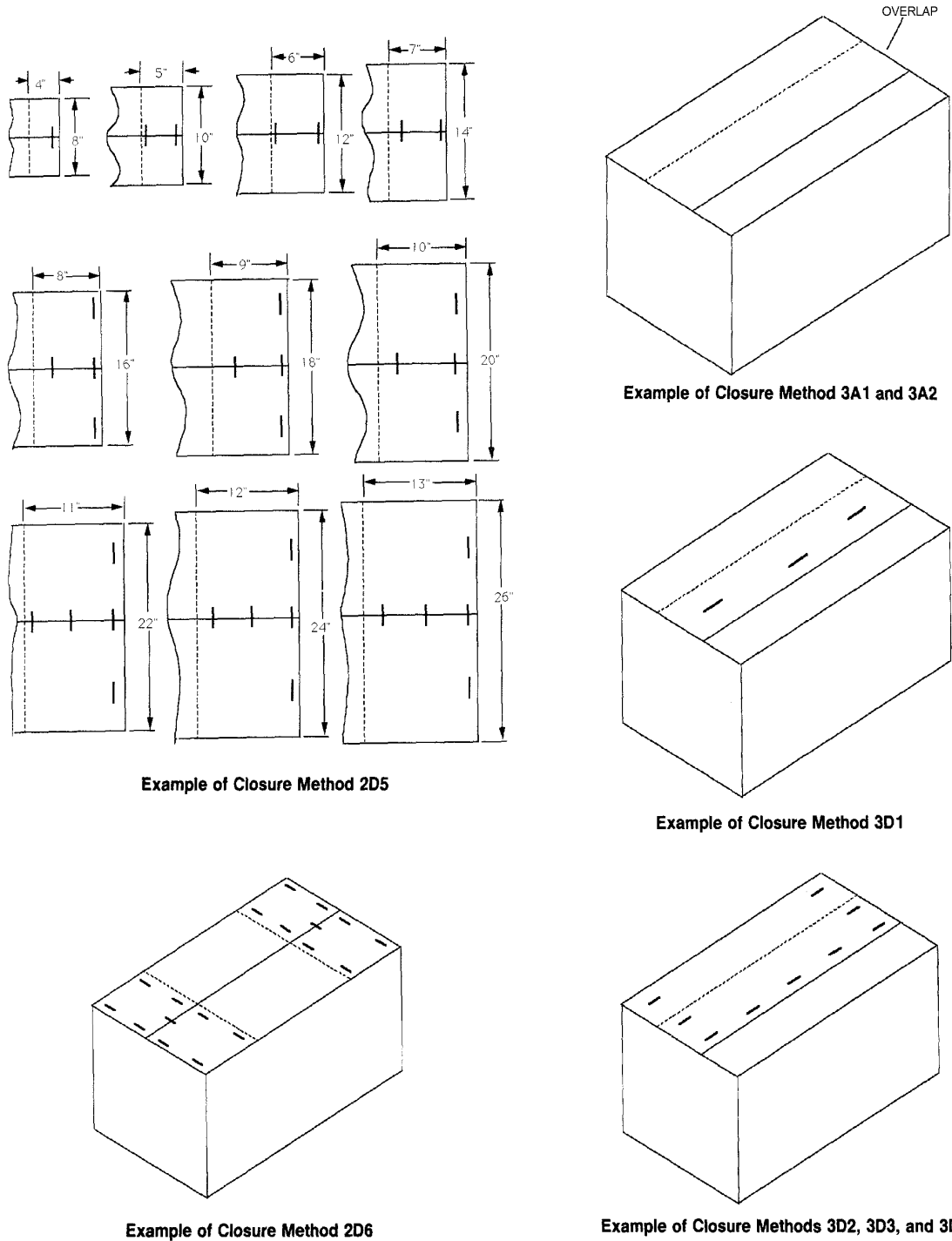
Example of Closure Method 2D1



Example of Closure Method 2D2

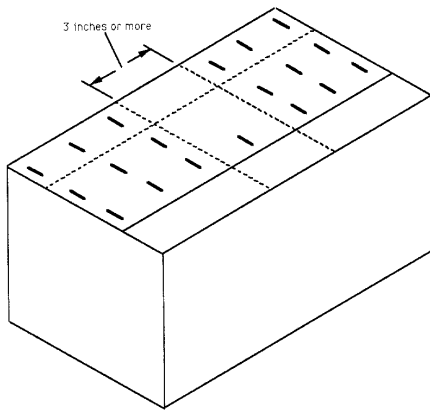
SMPT 3183

Figure 2-15. Closure methods of fiberboard boxes.

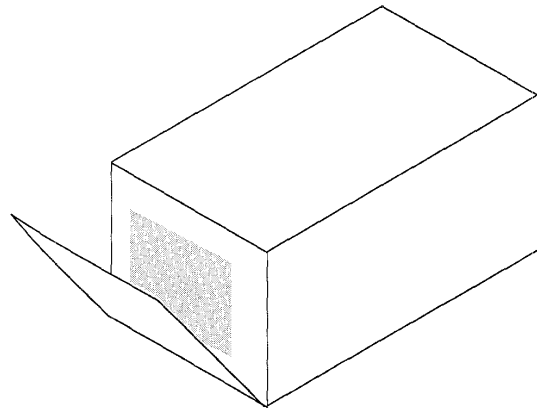


SMPT 3184

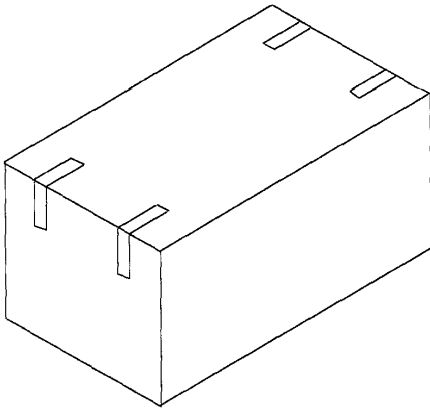
Figure 2-16. Closure methods for fiberboard boxes.



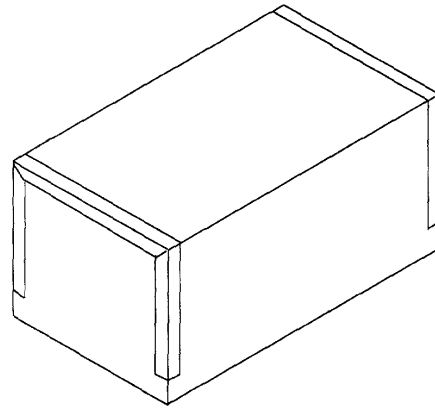
Example of Closure Method 3D5



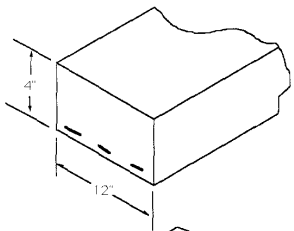
Example of Closure Methods 4A1 and 4A2



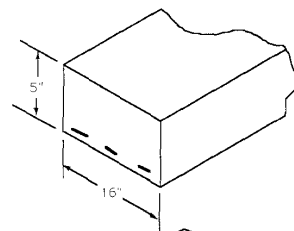
Example of Closure Methods 4B3, 4B4, 4B5, and 4C2



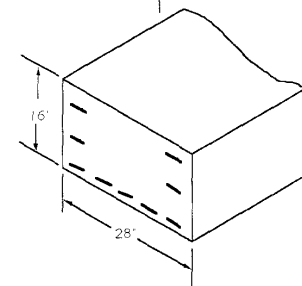
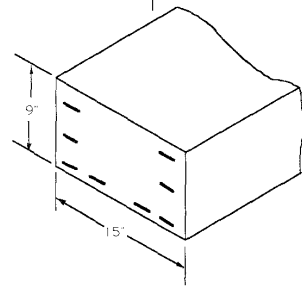
Example of Closure Methods 4B1, 4B2, and 4C1



Example of Closure Methods 4D1 and 4D2

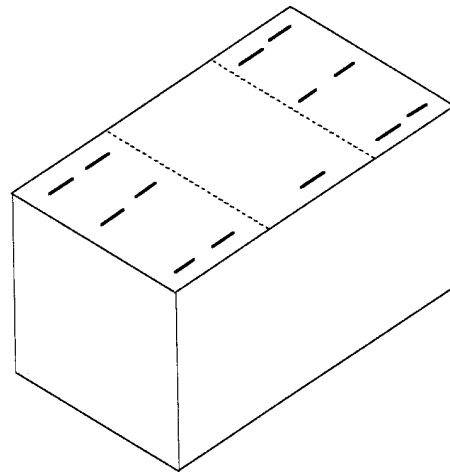


Example of Closure Methods 4D3 and 4D4

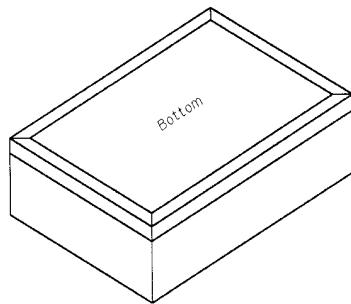


SMPT 3185

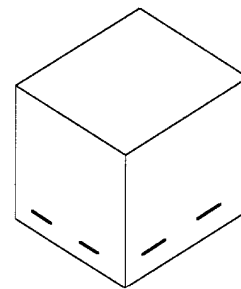
Figure 2-17. Closure methods for fiberboard boxes.



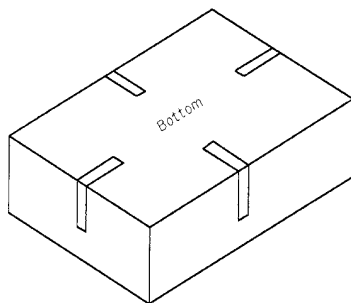
Example of Closure Method 4D5



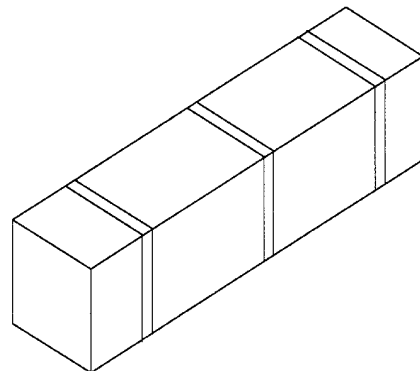
Example of Closure Methods 5A1, 5A2, and 5B1



Example of Closure Methods 5C1 and 5C2



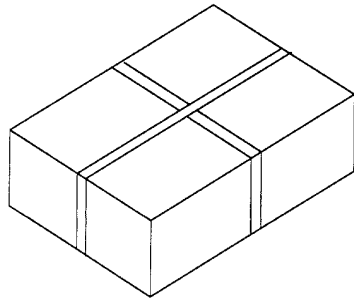
Example of Closure Methods 5A3, 5A4, 5A5, and 5B2



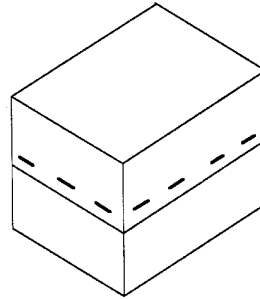
Example of Closure Method 6D2 and Reinforcement Methods 2A and 2B

SMPT 3186

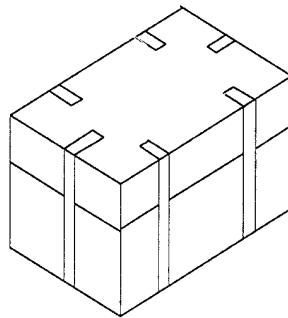
Figure 2-18. Closure methods of fiberboard boxes.



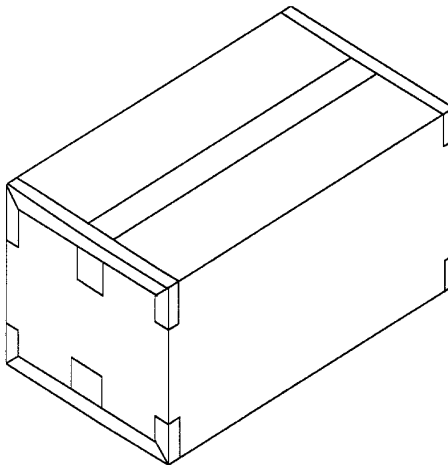
Example of Closure Method 6D3



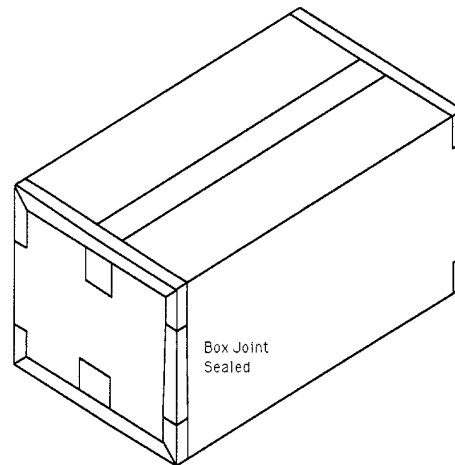
Example of Closure Methods 6C1 and 6C2



Example of Closure Methods 6B1, 6A2, and 6A1



Example of Sealing Method A



Example of Sealing Methods B, C, and D

SMPT 3187

Figure 2-19. Closure methods of fiberboard boxes.

Table 2-8. Metallic and nonmetallic strapping requirements. IAW ASTM D 4675.

Gross weight of container and contents	ASTM D3953/ ASTM D4675	ASTM D3950 Nonmetallic B		ASTM D3853 Zinc Galvanized		
		Type I	Type II	Type III	Grade 1	Grade 2
(Pounds)						
Up to 35	1/4 x 0.015 5/16 x 0.012 5/8 x 0.010	3/8 x 0.015 3/8 x 0.018 or 1/4 x 0.025 or 0.027	7/16 x 0.017 1/2 x 0.015	16-1/2	16-1/2	
Over 35 to 70, incl.	3/8 x 0.015 A/	3/8 x 0.015 3/8 x 0.024 or 1/4 x 0.025 or 0.027 or 7/16 x 0.025	7/16 x 0.017 1/2 x 0.015	16	15	
Over 70 to 110, incl.	3/8 x 0.020 1/2 x 0.015	1/2 x 0.015 3/8 x 0.020 7/16 x 0.025 or 1/2 x 0.022	1/2 x 0.015 7/16 x 0.017	14	13	
Over 110 to 225 incl.	1/2 x 0.020 5/8 x 0.015	1/2 x 0.020 5/8 x 0.015 7/16 x 0.025	7/16 x 0.023 1/2 x 0.020	13		

A Size 1/4 by 0.015 in strap may used for Type 1 loads and FTC boxes of frozen foods.
 B/ Other type and sizes may be applicable.

Table 2-9. Required number of reinforcing bands

Direction of bands ¹					
Lengthwise		Girthwise		Horizontal ²	
Outside width of box	Number of bands (min) ³	Outside length of box	Number of bands (min) ³	Outside depth of box	Number of bands (min) ³
<i>Inches</i>		<i>Inches</i>		<i>Inches</i>	
Up to 9.....	None	Up to 20	1	Up to 18	None
Over 9 to 18.....	1	20 to 30, incl.	2	18 to 30, incl.	1
Over 18 to 30.....	2	Over 30 to 48	3	Over 30 to 48	2
Over 30 to 48.....	3	Over 48 to 60	4		
Over 48.....		Over 60 ⁴		Over 48 ⁴	

1 Lengthwise--Encircling top, bottom, and ends, Girthwise--Encircling top, bottom, and sides. Horizontal--Encircling sides and ends.

Note that the location of the openings determines the designation of the panels, rather than normal storage position.

2 Horizontal bands are only occasionally required. where contents exert severe pressure on vertical score lines, they should be used.

3 Full telescope-style boxes, having corners not otherwise sealed to bodies, will usually require use of one or more additional bands, both lengthwise and girthwise when dimensions approach the upper range of the size brackets listed in above table. Additional bands, when required, will be specified by the procuring agency.

4 As directed by the procuring agency.

NOTE

Reinforcement may be omitted from class weather-resistant boxes containing non-perishable subsistence items and clothing which are to be palletized or containerized An exception to this is nonperishable subsistence materiel consigned to the Naval Supply Center at Norfolk and Oakland for subsequent transfer at sea.

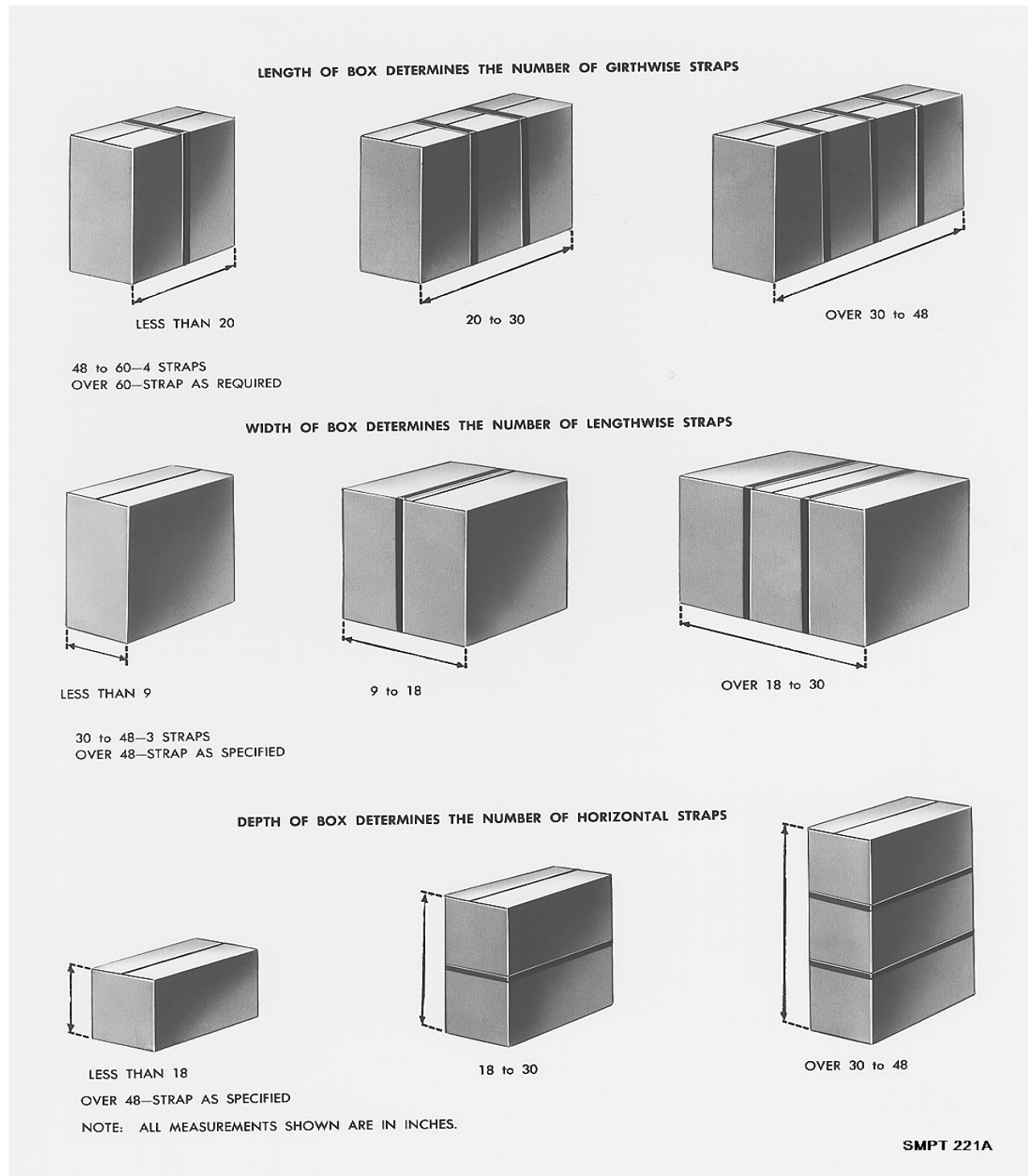


Figure 2-20. Strapping of fiberboard boxes.

Reuse and Conservation of Fiberboard Boxes

It is important that attention be given to the reuse and conservation of fiberboard boxes. This must be looked upon from an economical standpoint. If care is used in opening incoming fiberboard boxes, some of them may be reused as interior intermediate containers, but never as exterior shipping containers, with the exception of good V-board boxes. The condition of the box is a big factor in its reuse. No box that has been cut, torn, pierced, or damaged by water or moisture should be reused. If used, V-board boxes are included in this category, they may be reused for domestic shipments. Used boxes shall have all old markings pertaining to previous shipments obliterated before reuse as interior or exterior containers. If the whole boxes cannot be reused, consideration should be given to the use of clean, sound fiberboard as material for one of the following applications:

Fabrication of blocking and bracing. Blocking and bracing are used to prevent movement of the item within the container, contact of items among themselves (when more than one is packed in a shipping container), or contact of an item with the faces of the container.

Fabrication of die-cuts, cells, trays, pads, etc., for cushioning purposes.
Triple-wall Corrugated Fiberboard Boxes (ASTM D 5168)

TRIPLE-WALL CORRUGATED FIBERBOARD BOXES (ASTM D 5168)

DESCRIPTION AND CHARACTERISTICS

A triple-wall corrugated fiberboard box is a container made of triple-wall corrugated fiberboard in accordance with ASTM D 5168. Triple-wall corrugated fiberboard consists of three corrugated sheets laminated to four flat facings (fig. 2-3) resulting in a thick, relatively sturdy structural material. Boxes made of this material have the following characteristics:

- They are especially suited for difficult, heavy loads that require exceptionally large containers.
- They are extremely resistant to sudden forces such as those encountered when the box is dropped.
- They have a high resistance to compression and can sustain heavy loads for long periods of time.
- They are lighter in weight and smaller in cube than wooden containers made for the same items.
- They have certain inherent cushioning characteristics due to the corrugated stock from which they are made.

The fire-retardant requirements of boxes are intended to reduce losses due to fire destruction.

Classes and Styles. Triple-wall, corrugated fiberboard boxes are furnished in the following classes, styles, and types of ends:

Nonweather resistant.
Weather resistant.
Fire-retardant.

Style A - One-piece fiberboard, five-panel, with one of four types of ends, and with ends inserted in box body (fig 2-21).

Style B - One-piece fiberboard, five-panel, with one of four types of ends, and with ends inserted in box body overlapped on box ends (fig 2-21).

Style C - Two-piece fiberboard, three-panel, with one of four types of ends, and with ends inserted in box body overlapped on the box ends (fig 2-21).

Style D - Two-piece fiberboard, three-panel, with one of four types of ends, and with ends inserted with outside edges of the box body overlapped on box ends (fig 2-22).

Style E - A regular slotted fiberboard box conforming to style RSC ASTM D 5118. The body (manufacturer's) joint should be 2 inches wide, crushed, and stapled on a slant not more than 1 inch apart (fig 2-22). The corrugations of that portion of the side panel in which the body joints overlap shall also be crushed. Style E boxes may also be made with a 1 1/2-inch crushed overlap on the top and bottom panel of the box. This is called an alternate style E box.

Style F - A full telescopic fiberboard box, consisting of a body and a cover each of one-piece slotted and scored triple-wall fiberboard. The inside depth of the cover shall be the overall depth of the body (fig 2-22).

Style G - Half regular slotted box with short top flaps and cover. Style G box is similar to style F, except that all the top flaps are 4 inches long and are crushed-rolled 1 1/2-inches at the edges. A cover, at least 6 inches deep, forms the top of the container. The cover may be constructed so that the end and side flanges form a butt joint at each of the four corners (fig 2-23), or it may be made with end or side flaps which are stapled to the adjacent flange of the top.

Wood Ends

There are four types of wood or wood-cleated panel ends that can be used with styles A, B, C, and D triple-wall, corrugated fiberboard boxes. The wood used to fabricate the ends must conform to wood groups I and II as set forth in PPP-B-621. The ends are of the following designs (fig 2-24).

Number 1 end--A single piece of nominal 2-inch lumber.

Number 2 end--Two thicknesses of nominal 1-inch lumber with the grain at right angles, the two thicknesses securely joined by clinched nails, and no piece less than 2 1/2 inches in width.

Number 3 end--Nominal 1-inch material with a nominal 1-inch thick cleat minimum width of 2 1/4 inches, securely joined by clinched nailing.

Number 4 end--Cleated panel ends consisting of two sets of overlapped cleats with a panel of triple-wall corrugated fiberboard. The cleats shall be nominal 1-inch thick, 2 1/4 inches wide, and shall be assembled with clinched nailing. The fiberboard shall be fastened to the inside of the cleats with either nails or staples.

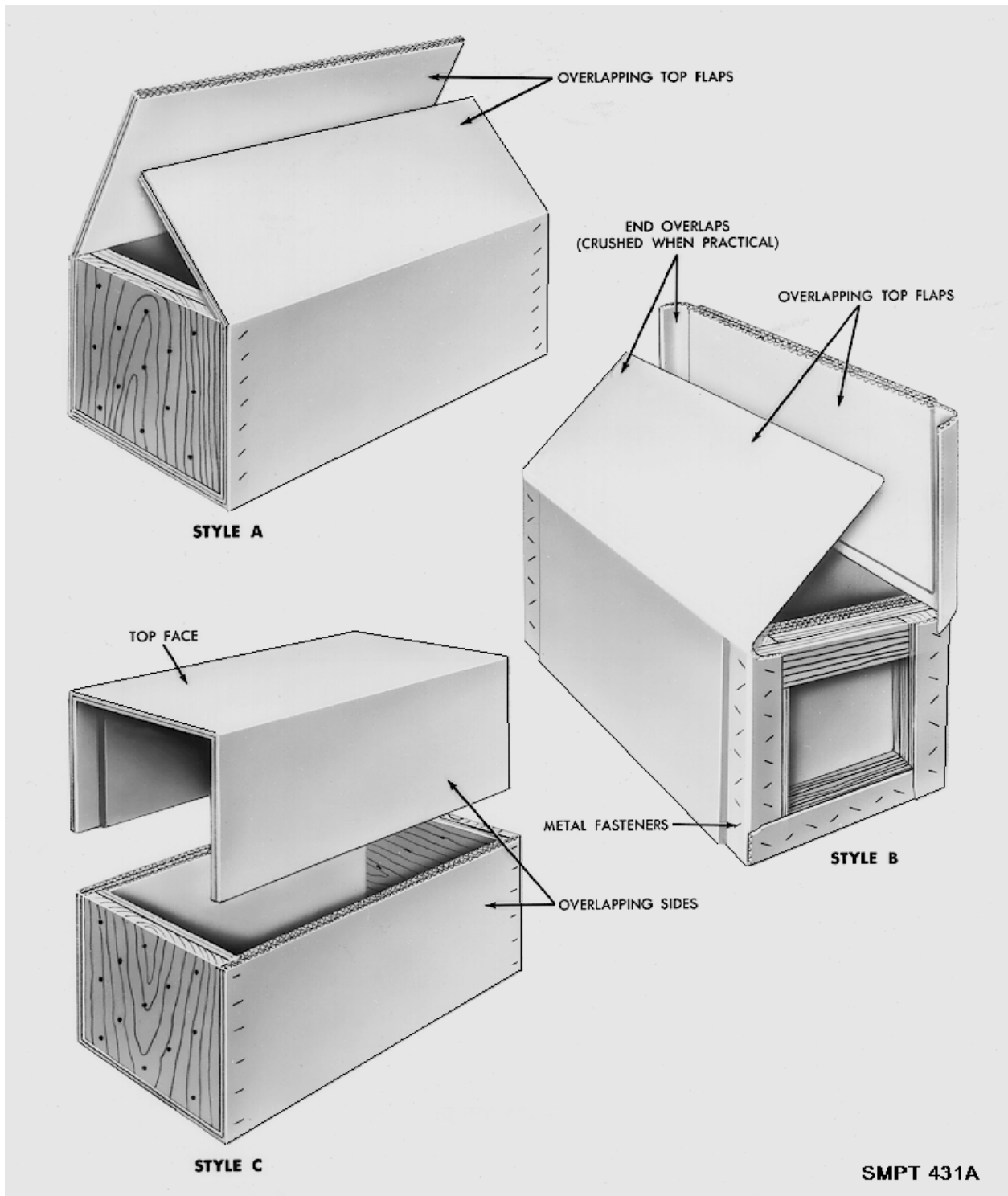
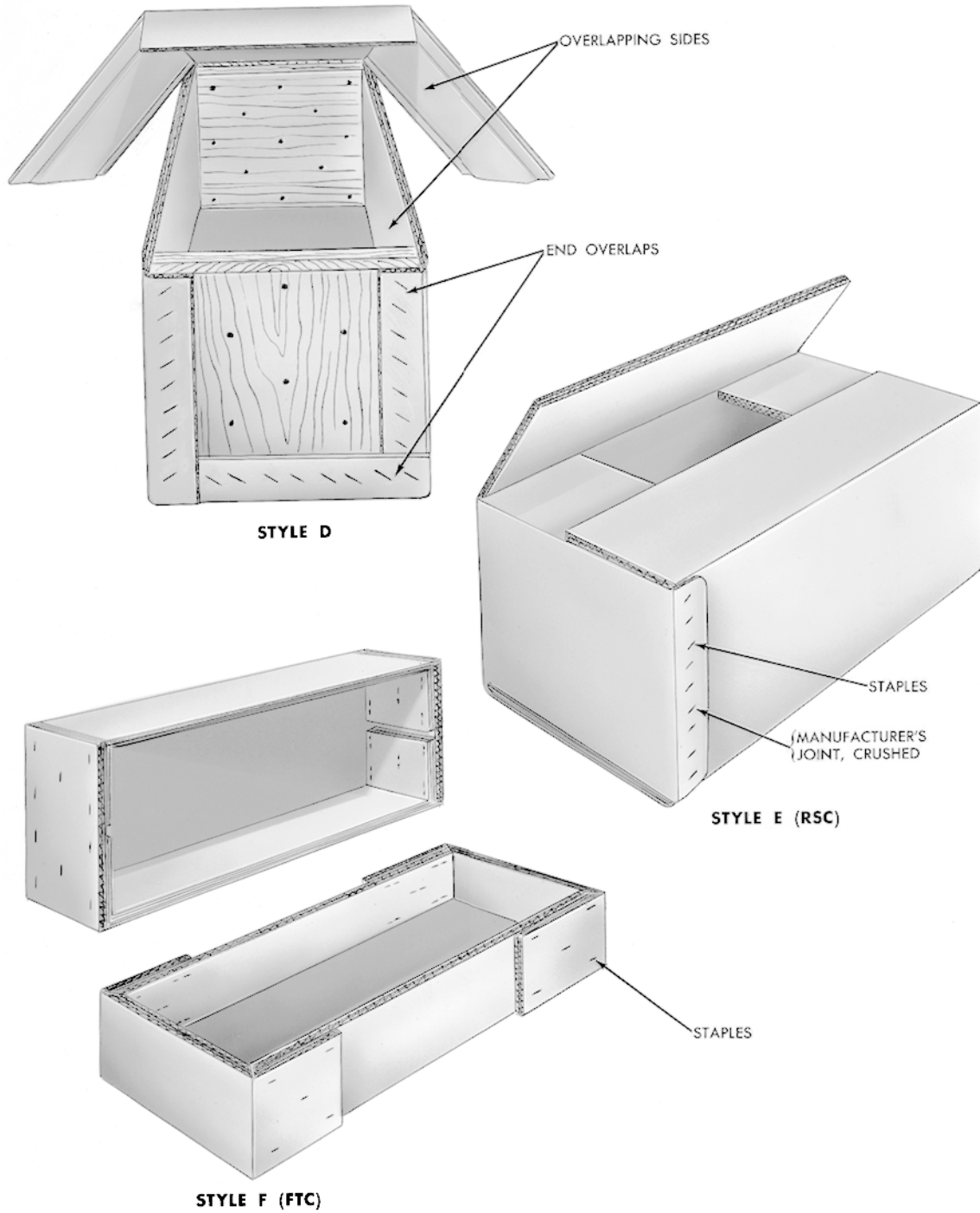


Figure 2-21. Styles A, B and C triple-wall corrugated fiberboard boxes.



STYLES D, E, AND F TRIPLE WALL BOXES

SMPT 432A

Figure 2-22. Styles D, E, and F, triple-wall corrugated fiberboard boxes.

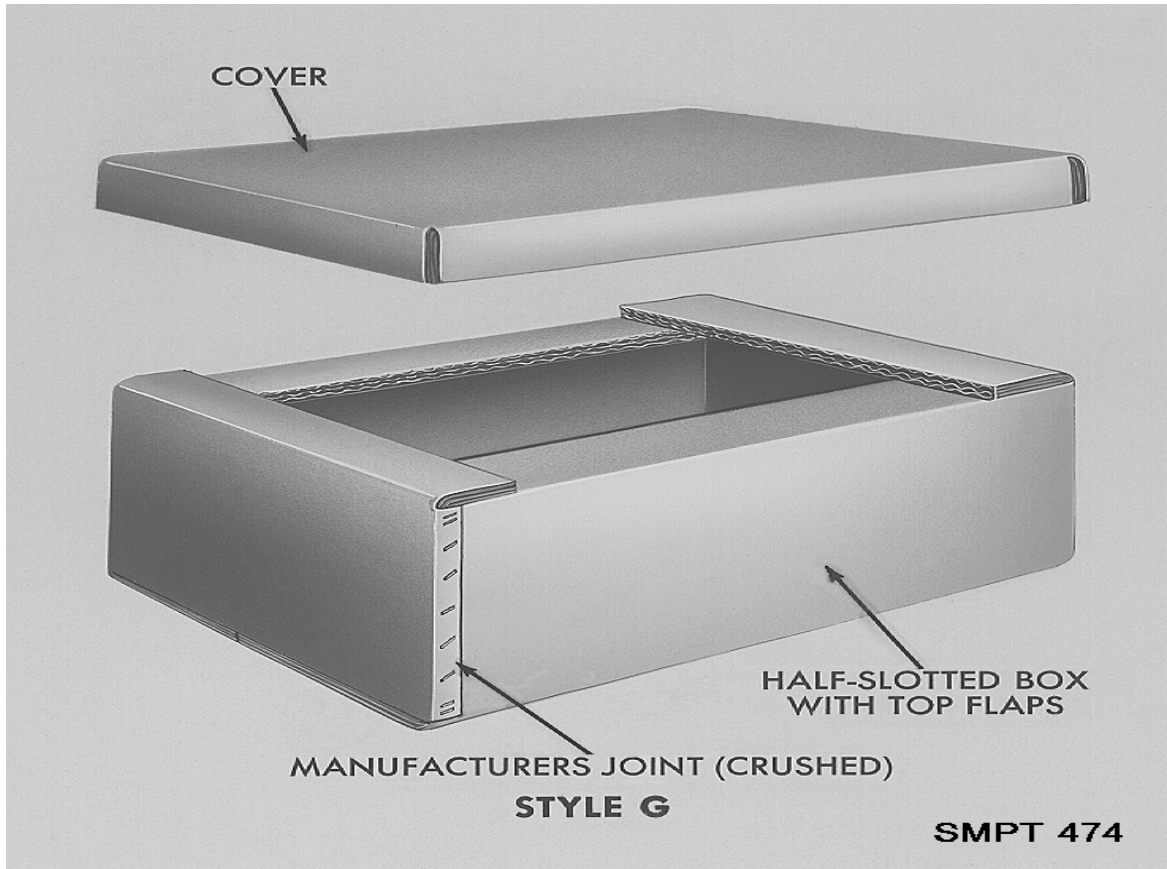


Figure 2-23. Style G triple-wall corrugated fiberboard box.

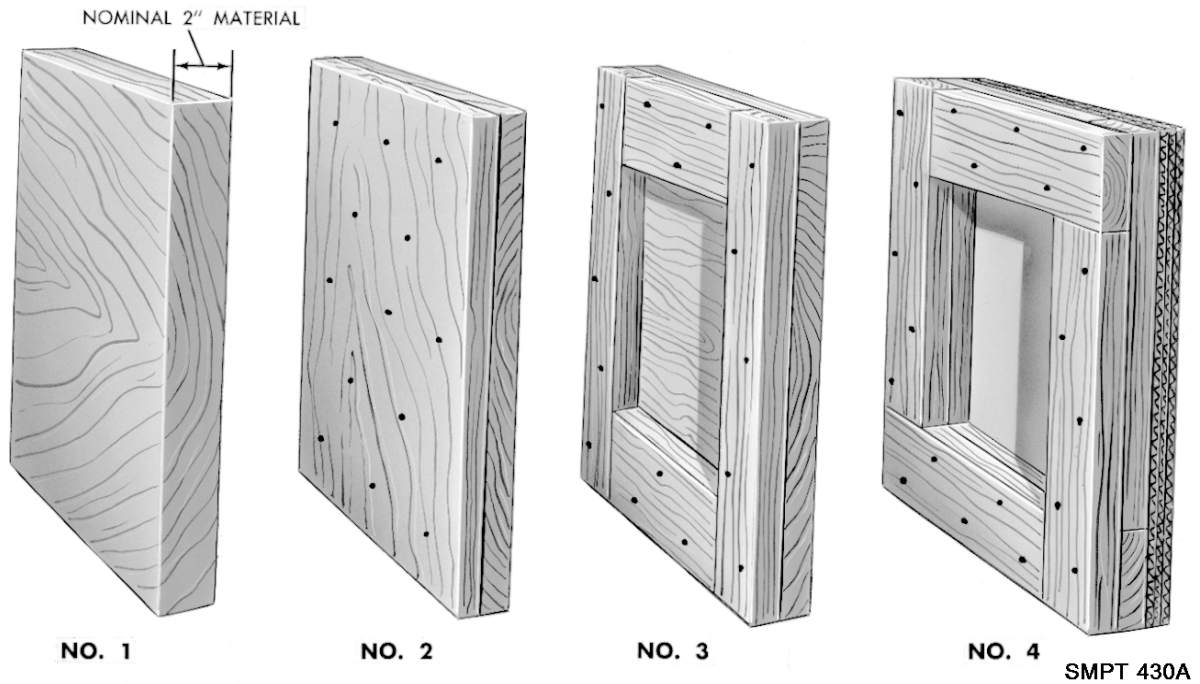


Figure 2-24. Types of ends to be used with styles A through D triple-wall corrugated fiberboard boxes.

Limitations

Maximum weight and size limitations for triple-wall corrugated fiberboard boxes are not given in ASTM D 5168. When triple-wall, corrugated fiberboard boxes are to be used for commodities covered in Rule 41 of the Uniform Freight Classification and item 222 of the National Motor Freight Classification, the sum of the inside length, width, and depth shall not exceed 125 inches. Containers exceeding these limitations must be made under a special package permit.

Sealing

When sealing against the entry of water or dust is required, all seams and joints of the boxes shall be covered with minimum 2-inch tape conforming to ASTM D 5486, Type V. Closure of slotted boxes is frequently done prior to sealing.

Closure

The kinds of closure for triple-wall, corrugated fiberboard boxes will depend on the style of box to be used, and may be made by means of nails, staples, steel straps, filament-reinforced tape, or a combination of these materials. When nails are used for closure or for fastening blocking and bracing members to the interior of the boxes, it is recommended that each nail should pass through an oversize washer, piece of banding, or clips designed to prevent pulling of the nail heads through the triple-wall material. Whenever reinforcing needed, DOD personnel may use ASTM D 3950, ASTM D 3953, or ASTM D 4675.

Closure of style A boxes

This style may be closed with zinc-coated or copper-washed staples, with divergent points and minimum dimensions of 14 gauge wire, 3/4 inch crown, and 1 1/4 inch legs; with flat, Type I, Class A or B, 5/8 inch wide and 0.018 inch thick steel straps conforming to ASTM D 3953 or with nonmetal strapping in accordance with ASTM D 3950, Type I or II (when Type I is used it shall be Grade B) with a nominal width of 5/8 inch; or with pressure-sensitive, filament-reinforced tape meeting the requirements of ASTM D 5330, Type III, 1/2-inch wide, except for Styles E and F, which shall be 1 inch wide. On weather-resistant boxes, the ASTM D 5330 tape shall be Type IV, 3/4 inch wide, except for Styles E and F, which shall be 1 inch wide.

Using nails for closure of style A boxes

When nails or staples are used, they shall be spaced not more than 2 inches apart and staggered as permitted by the thickness of the ends of the box. The nails or staples shall extend through each thickness of fiberboard and into the wood ends. If the box is 24 inches long, a strip of filament-reinforced tape shall be placed at the center of the outside top flap so as to extend onto the top flap 5 inches and onto the side panel 5 inches. For length greater than 24 inches, one such strip will be added for each additional 18 inch increment of length greater than 24 inches. The total number of strips will be spaced evenly (fig 2-25).

Using straps for closure of style A boxes

When steel or nonmetal straps are used, one band will be placed at each end of the box to encircle the top, sides, and bottom of the box. The straps will be placed not more than 3 inches in from the ends to bear evenly on the wood ends. If the box is 24 inches long, a strap will be added at the center.

Filament-reinforced tape may be used in lieu of this additional strap. For lengths greater than 24 inches, one such strap will be added for each additional 18 inches of length and placed so that they are evenly spaced (fig 2-25).

Using Tape For Closure Of Style A Boxes

When filament-reinforced tape is used, a 10-inch strip will be placed 2 inches in from each end of the box. For boxes 24 inches long or over, additional strip requirements are the same as for steel strapping. All the tape strips will be applied perpendicular to the joint formed by the top flap and the side wall of the box. They will be centered over the joint and extend 5 inches onto the top flap and 5 inches on the side wall (fig 2-25).

Closure Of Style B Boxes

Style B boxes may be closed with nails or staples in the same manner as Style A boxes; but, in addition, a staggered row of nails or staples, spaced not more than 2 inches apart, must be driven through the overlap portion of the top flap into the face of the wood ends. When using steel straps or filament-reinforced tape for closure, the same requirements as given for Style A boxes also apply to Style B (fig 2-25).

Closure of Style C Boxes

This style of box will be closed along the top and sides by means of nails, staples, or steel straps as specified for Style A boxes, except when using nails or staples they will be spaced not more than 2 inches apart and staggered and driven through the top one-half of the box into the wooden ends along the two end edges of each side panel and both end edges of the top panel (fig 2-26).

Closure of Style D Boxes

This style of box shall be closed along the top and sides by means of nails, staples, or steel straps as specified for style A. In addition, a staggered row of nails or staples shall be driven through the overlapping top flaps into the face of the wooden ends. For boxes 24 inches long and longer, strips of tape will be applied as for style A box (fig 2-26).

Closure of Style E Boxes

Style E boxes may be closed by the use of staples, steel or nonmetallic strapping, or with tape.

Closure with Staples

Staples will not be used for boxes fabricated with class weather-resistant fiberboard. Staples are placed not more than 1 1/2 inches, or less than 1 inch, from the free edge of the flap. Spacing around the edge of each flap is not more than 5 inches, center-to-center of the staples. Additional staples are so spaced within the boundaries outlined by the edge staples so that no area will have a diameter greater than 4 inches without a staple, with a minimum number of eight staples in each flap. Staples are flat wire, 0.050 inch thick, 0.085 inch wide, with a 1 1/4-inch crown (fig 2-27).

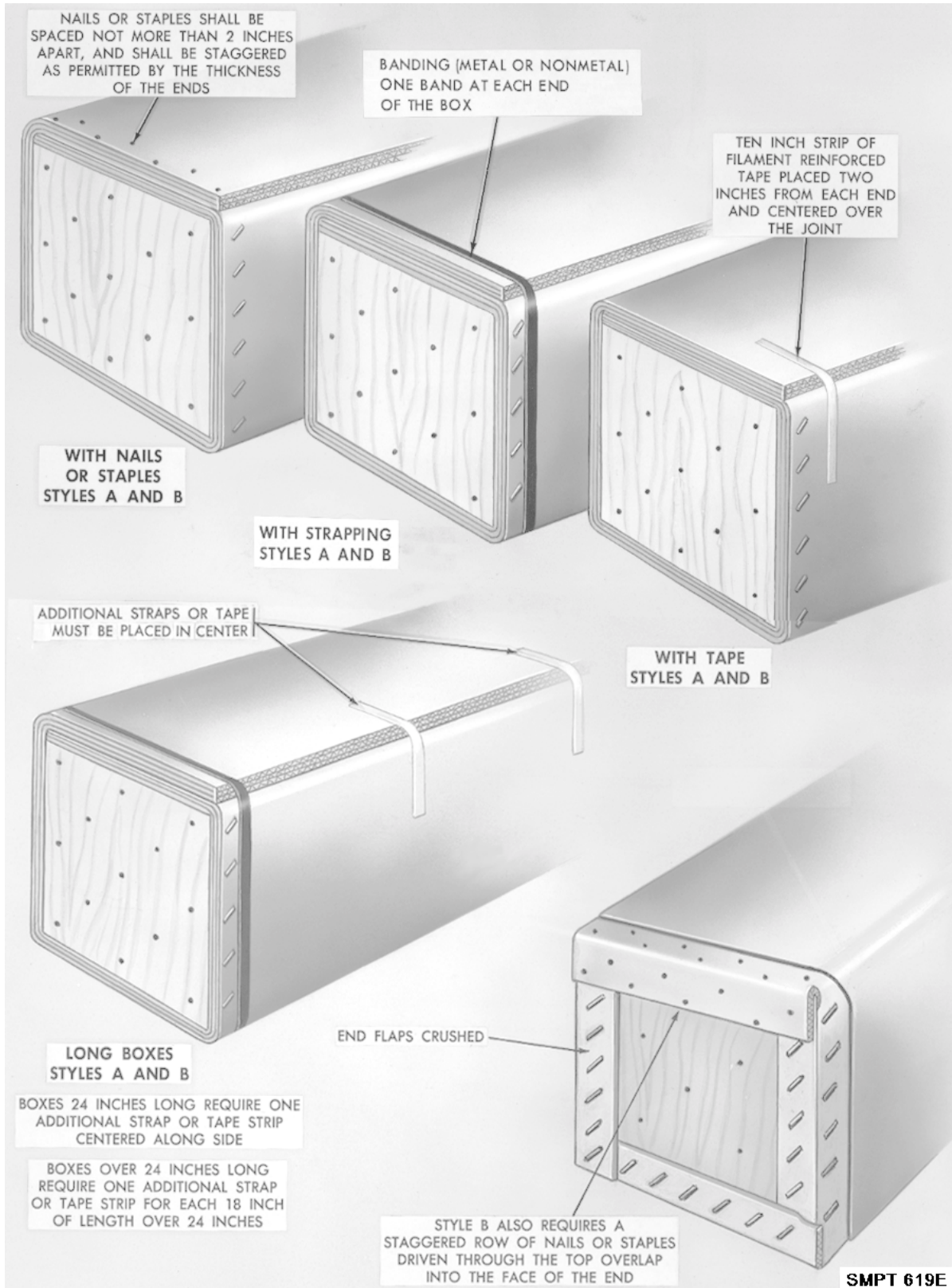


Figure 2-25. Closure of styles A and B, triple-wall corrugated fiberboard boxes.

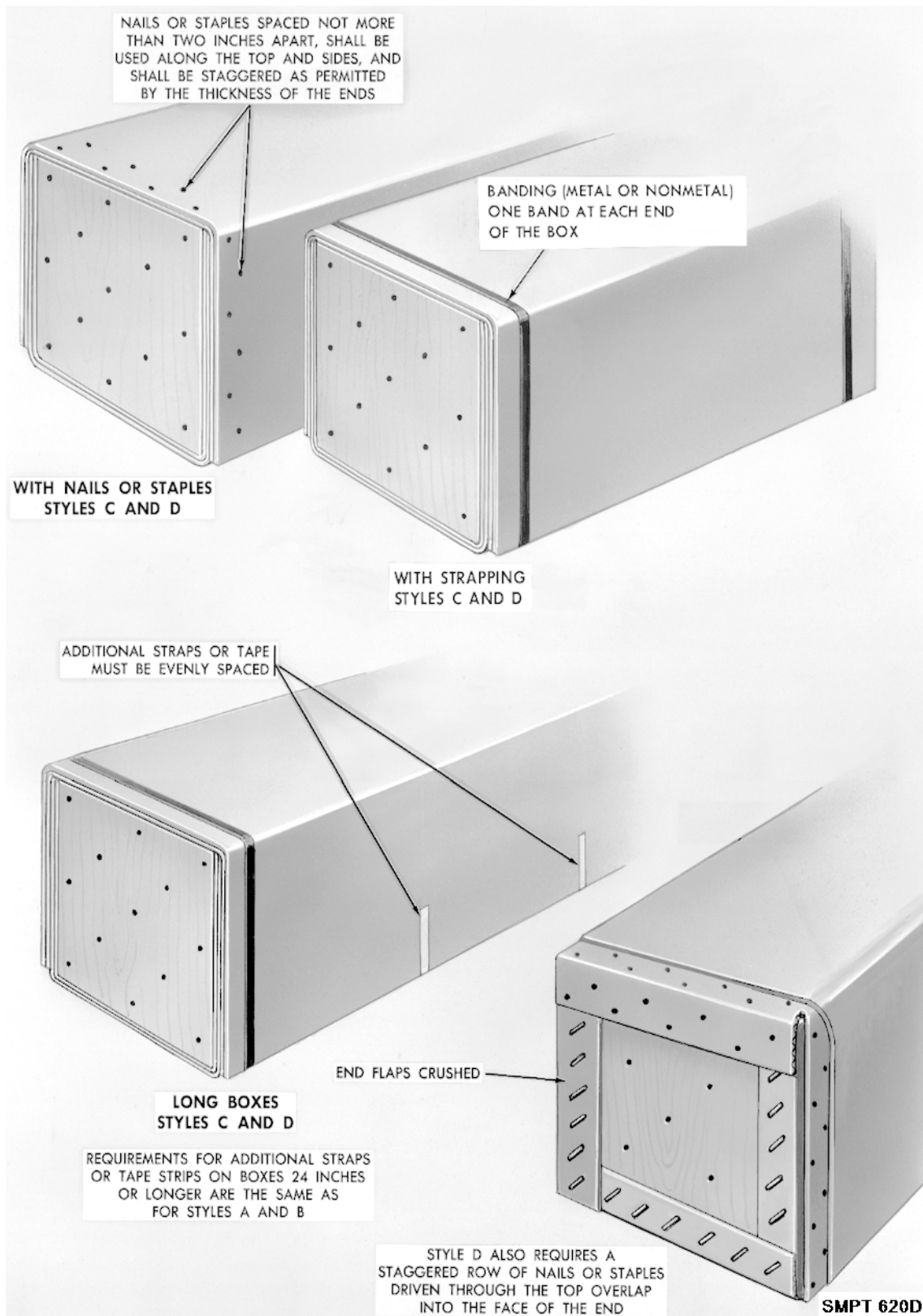


Figure 2-26. Closure of styles C and D, triple-wall corrugated fiberboard boxes.

Closure With Metal or Nonmetallic Strapping

The requirements for closure with strapping is the same as for style A boxes, except that a lengthwise strap may be applied to hold the girthwise strap flat (fig 2-27).

Closure With Tape

A 12-inch strip is applied to each end of the two top and bottom flaps so that 6 inches of each strip is attached to the flap and 6 inches of each strip is attached the end panel. The strips are located adjacent to the inner length edge of the flaps, approximately 2 inches from this edge. The use of additional strips will be specified for style A boxes.

Closure of Style F Boxes

This style may be closed with steel or nonmetallic straps or filament-reinforced tape. When straps are used, they will be applied as described for style E boxes. When tape is used, one strip will be used on each side and each end. The strips will be not less than 12 inches long and will be applied at the center of the side and end panels and extend to the bottom of the box. When the length of the box is 24 inches, an additional strip will be added to each side and the two will be evenly spaced. Additional strips as required for length will be added to the ends when the box is 24 inches or greater in width (fig 2-28).

Closure of Style G Boxes

When this box is used in conjunction with a pallet, closure and sealing will be as specified by the procuring activity. Without a pallet, an additional strip will be added to each side and the box will be closed with straps. One strap will be centrally located around the top, ends, and bottom. Two straps will be applied around the top, sides, and bottom, at a distance from the ends equal to three-fourths the length of the inner flaps. If the distance between the straps exceeds 24 inches, additional straps will be spaced not more than 24 inches apart (fig 2-29).

Paperboard Boxes

Paperboard boxes are mainly used for interior packing. They are available in various types, styles, and sizes, and must conform to requirements of PPP-B-566, and PPP-B-676. In many instances, depending upon the item, a paperboard box may be used in packing when utilizing parcel post. For further details on paperboard boxes, see FM 38-700.

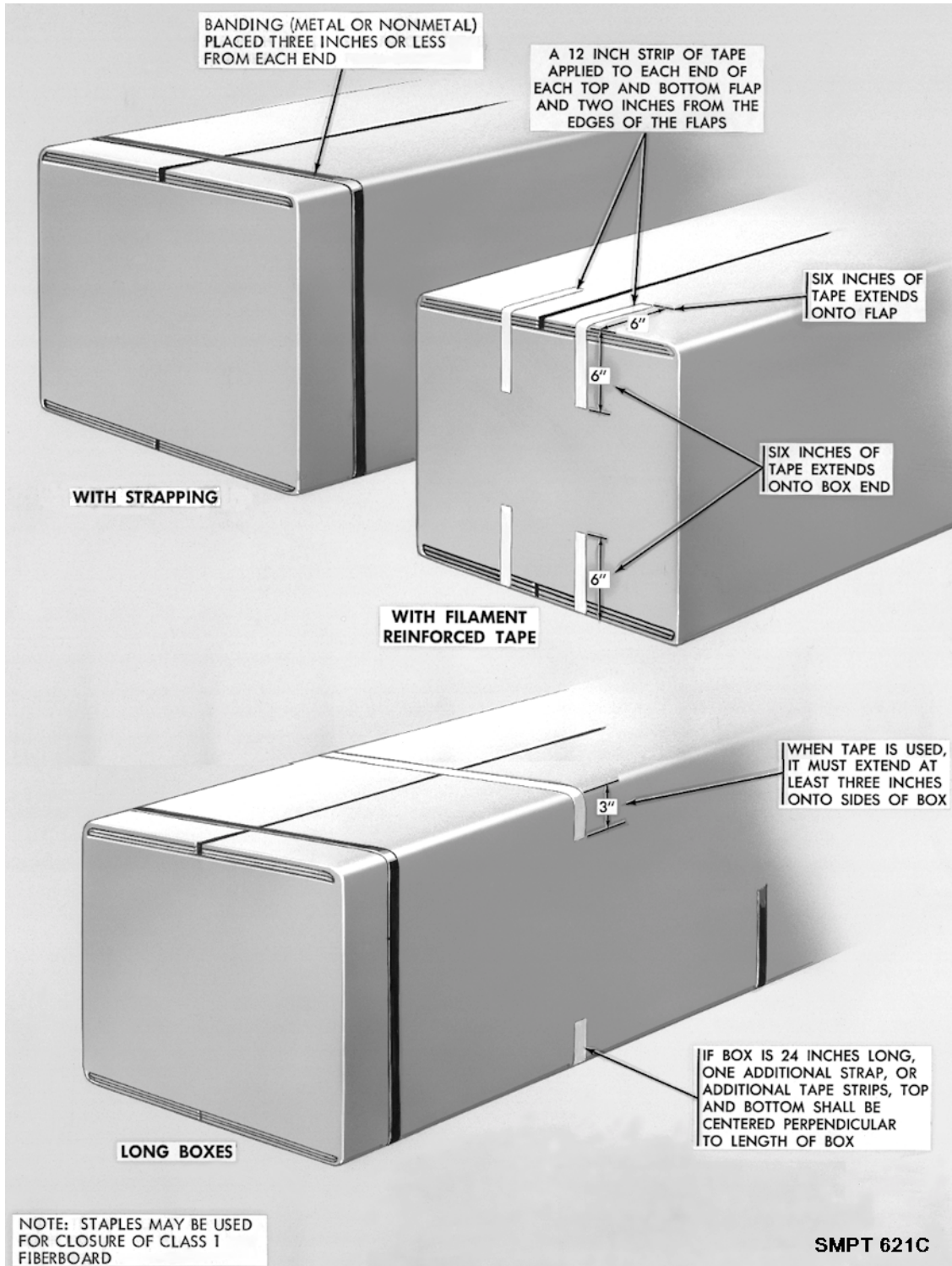


Figure 2-27. Closure of style E, triple-wall fiberboard box.

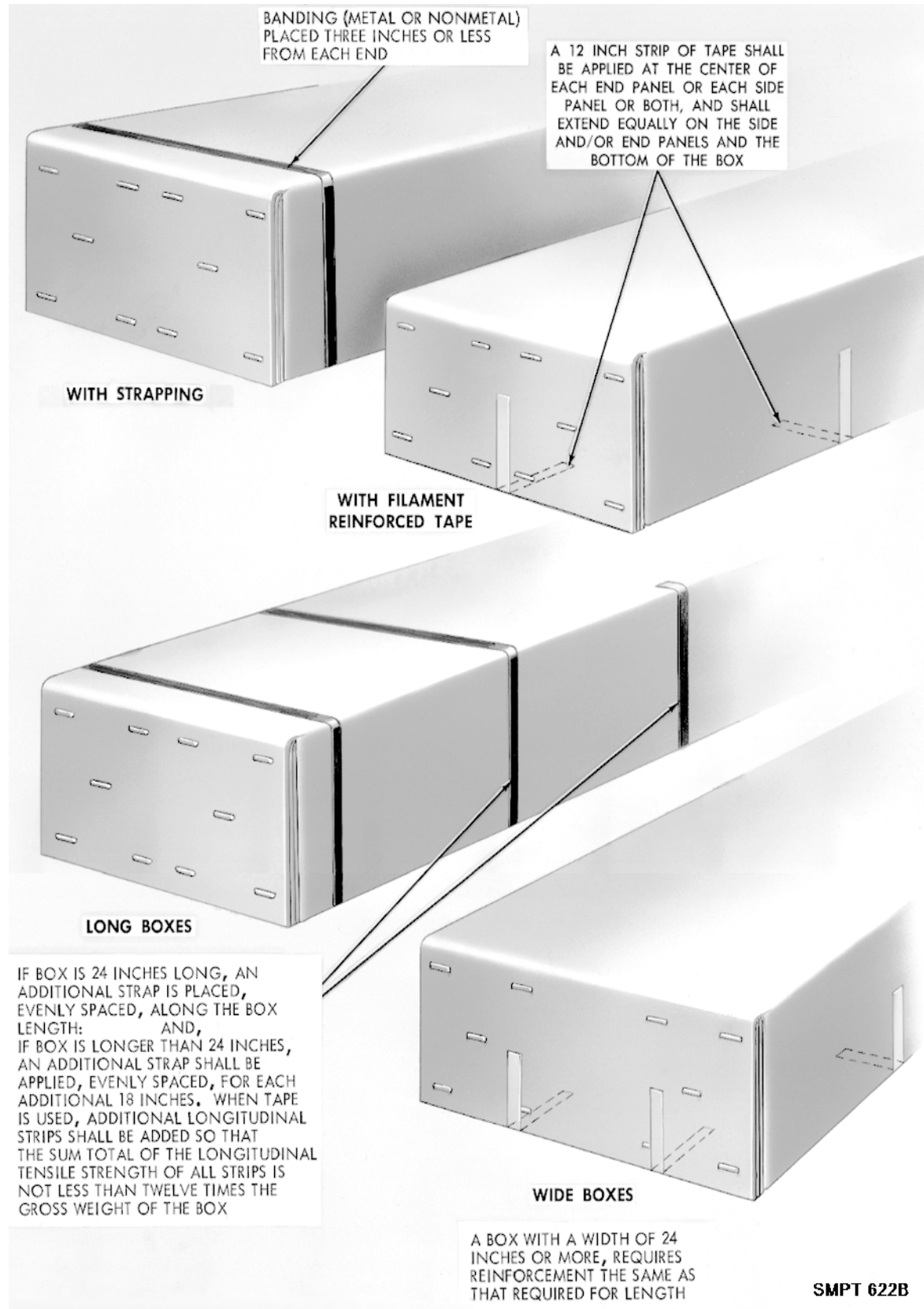


Figure 2-28. Closure of style F, triple-wall fiberboard box.

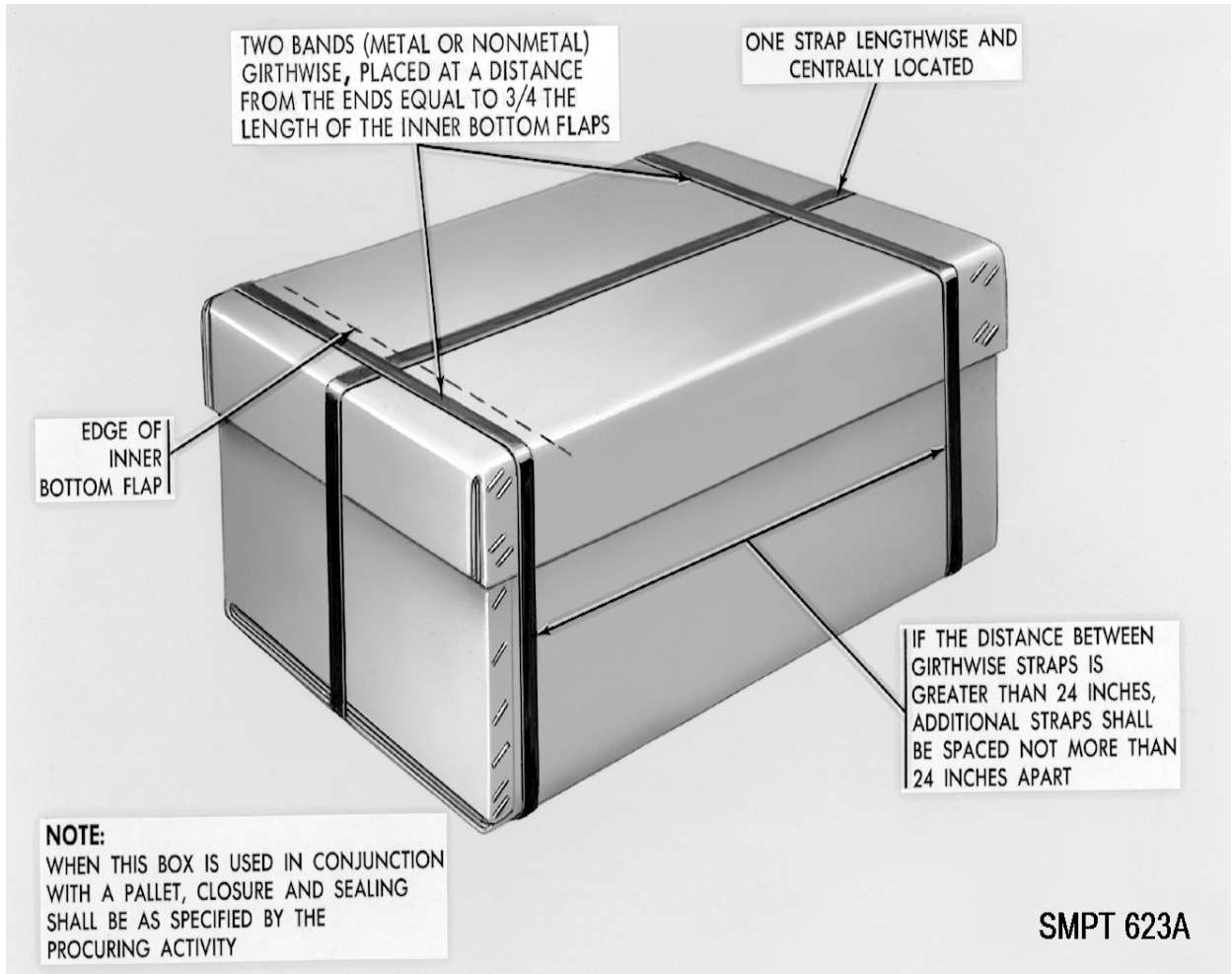


Figure 2-29. Closure of G style triple-wall fiberboard box.

CHAPTER 3

WOODEN CONTAINERS AND PALLETS

CONTAINER MATERIALS

WOOD AS A CONTAINER MATERIAL

Wood is particularly valuable as a container material because of its high strength-weight ratio which compares favorably with mild steel. Tests and experience have shown that the strength of a wooden container depends largely upon the type of wood used in its construction. The durability of wood and its ability to withstand shock and impact stresses are important properties in the selection of wood for containers. Military Handbook MIL-HDBK-7, "Lumber and Allied Products", provides a ready source of information on wood products normally procured in considerable quantity for Department of Defense installations. This handbook is not intended for reference in purchase specifications or other contractual documents. However, it will assist materially with installation requisitioning, receiving, inspection, storage, and handling of container wood materials. Also see ASTM D 6436, Quality of Wood Members for Containers and Pallets.

Wood Groups

All woods fall into two general categories: Either softwoods, which come from coniferous or needle-bearing trees; or hardwoods, which come from broad-leaved trees. For purposes of container construction, wood is divided into four groups based on nail holding power, tendency to split, comparative strength as a beam, and shock resisting capacity (fig 3-1). Over 90 percent of all wooden containers are made from Group I and II woods however, the materials given in Section 3 of the applicable container specification must be used. When a wood group is specified in the contract, any species in that group may be selected.

Group I includes the softer woods such as white fir, ponderosa pine, yellow poplar, cottonwood, cedar, and others. These woods are relatively free from splitting when being nailed, have a moderate nail-holding power, moderate strength as a beam, and moderate shock resisting capacity.

Group II includes the harder soft woods such as Douglas fir, southern pine, hemlock, and larch. They have greater nail-holding power than the Group I woods, as well as greater strength and shock resisting capacity. Group II woods are more inclined to split, the grain often deflects nails and causes them to run out at the side of the piece.

Group III includes the medium density hardwoods. Ash, elm, and cherry are examples. These are similar to Group II woods in nail-holding power and strength as a beam, but have less tendency to split and shatter under impact.

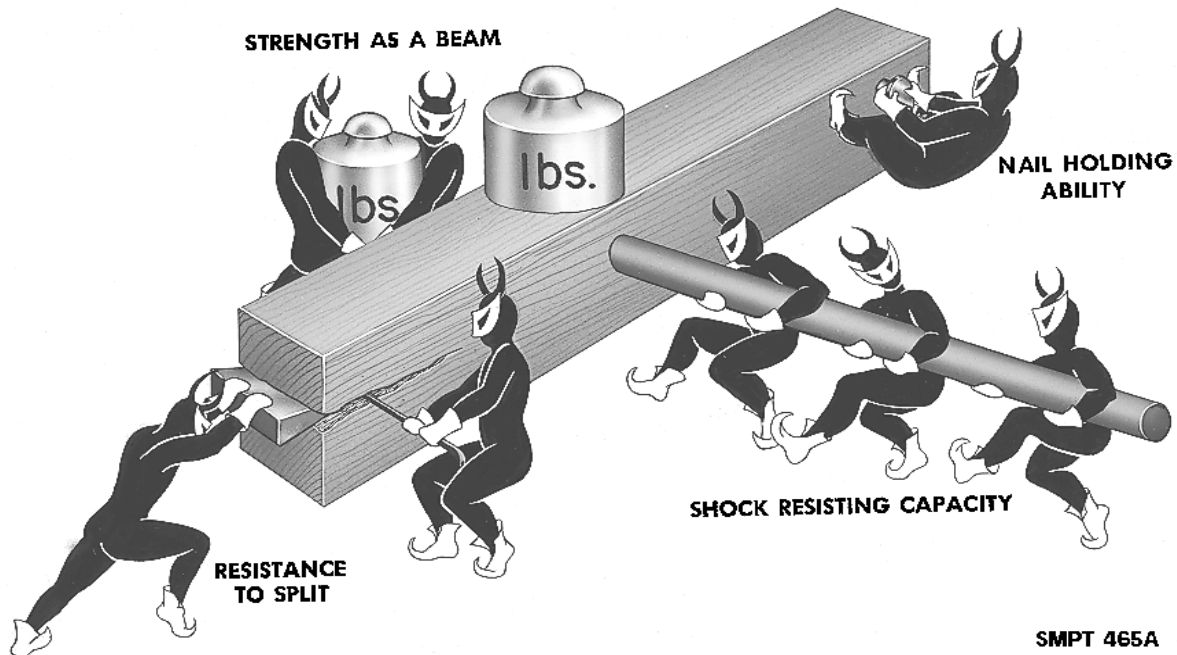


Figure 3-1. Characteristics for the classifications of wood.

Group IV includes the true hardwoods such as oak, hard maple, and hickory. These woods have the greatest shock resistance and nail-holding power, are extremely strong, but are very susceptible to splitting. They are the heaviest and hardest woods, and are difficult to work.

Wood Defects

All boards should be cut to the correct length and be free from all defects that materially weaken them, expose the contents of the box to damage, or interfere with the prescribed fabrication or nailing (fig 3-2).

Knots. Knots in wood are most weakening when located in the middle third of the length of the board. Across the width of the board, the weakening effect is proportional to the effective diameter of the knots, measured as shown in fig 3-3. No knot, or series of knots across the face of the board, within a length equal to the width of the board, shall have a diameter or sum of diameters greater than one third the width of the board. No knot will exceed 4 inches when measured across the width of the board.

Slope of grain. Any board with a slope of grain steeper than a ratio of 1 in 10 of length is not permissible. Figure 3-2 shows the results of excessive slope or cross grain.

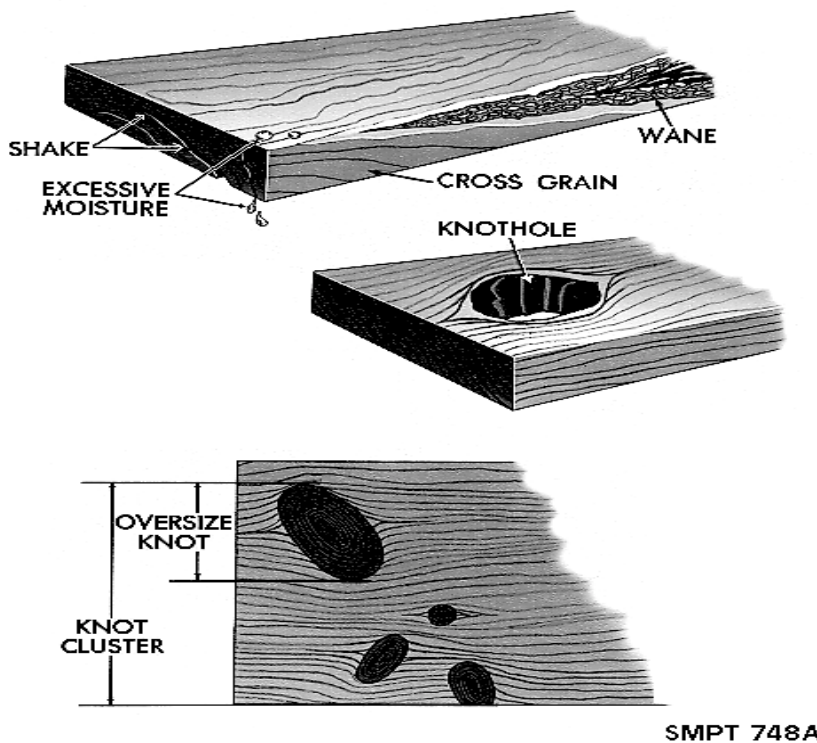
Moisture Content

It is important that the moisture content of lumber required by an applicable container specification be followed. High moisture content in lumber will cause excessive tare weight. Shrinkage, due to the loss of high moisture content in the boards of a nailed wood box will cause gaps between the pieces of lumber. Shrinkage will also cause the loss of nail holding-power, splitting of the lumber at the nails, and the loosening of straps. Moisture content is determined by the use of electric moisture meters or by the oven dry method, as outlined in ASTM D 2016.

Moisture Meter Method

The moisture meter method is faster than the oven dry method, but less accurate. A moisture meter consists essentially of an electrical device designed to measure the resistance or the capacitance of the wood between two electrodes in contact with the sample. The values obtained will vary with the water content of the wood. They will also vary as a result of a number of other factors, most important of which are they temperature of the wood, its species, and density. Although correction tables are furnished with each instrument which must be used for even approximations of true values, the readings obtained are still only approximations because the effect of the other variables cannot be determined with scientific accuracy. Instruments of this type cannot be used where an accuracy of plus or minus 1 percent is required.

In view of this, the moisture meter method is primarily usable for screening inspections of large lots of lumber, while the oven dry method is almost always resorted to in the event of disputes. The meter used should be capable of giving instantaneous readings of moisture content within a range of 7 to 20 percent, and should be equipped with correction tables to permit the correction of meter readings for temperature, species, and density. The meter should be adjusted prior to use in accordance with the manufacturer's instructions. When a series of readings are being made, the adjustment should be checked periodically. Batteries should be replaced whenever initial adjustment cannot be accomplished, or whenever it is obvious that inaccurate readings are being obtained because of weak batteries. The following general precautions should be observed:



SMPT 748A
Figure 3-2. Wood defects.

- The entire area of plate-type electrodes should be in contact with the wood. Do not use this type of electrode on rough wood.
- Drive the needle-type electrodes to their full depth and in such a manner that the flow of current will be parallel to the wood grain. When wood splitting occurs discard the reading obtained. Where the wood is over one inch thick, drive 1 1/4 to 1 1/2 inch nails, spaced the same distance apart as the electrodes, straight into the wood to a depth equal to approximately one-fifth the thickness of the piece. These nails must not be cement coated but may be either bright or chemically etched.
- Never use the meter on wood whose surface is wet with rain, dew, or fog.
- Never use the meter on the ends of a piece.
- Never use the meter on a painted or otherwise finished piece.
- Never use the meter on composite pieces where the current between the two electrodes will have to pass through a glue joint.
- Do not use the meter on a piece just removed from the kiln since the temperatures correction tables (which are concerned with the temperature of the piece) will not be applicable.
- On thin pieces, do not support the piece on another piece of lumber, metal, or other material which may give false electrical readings.

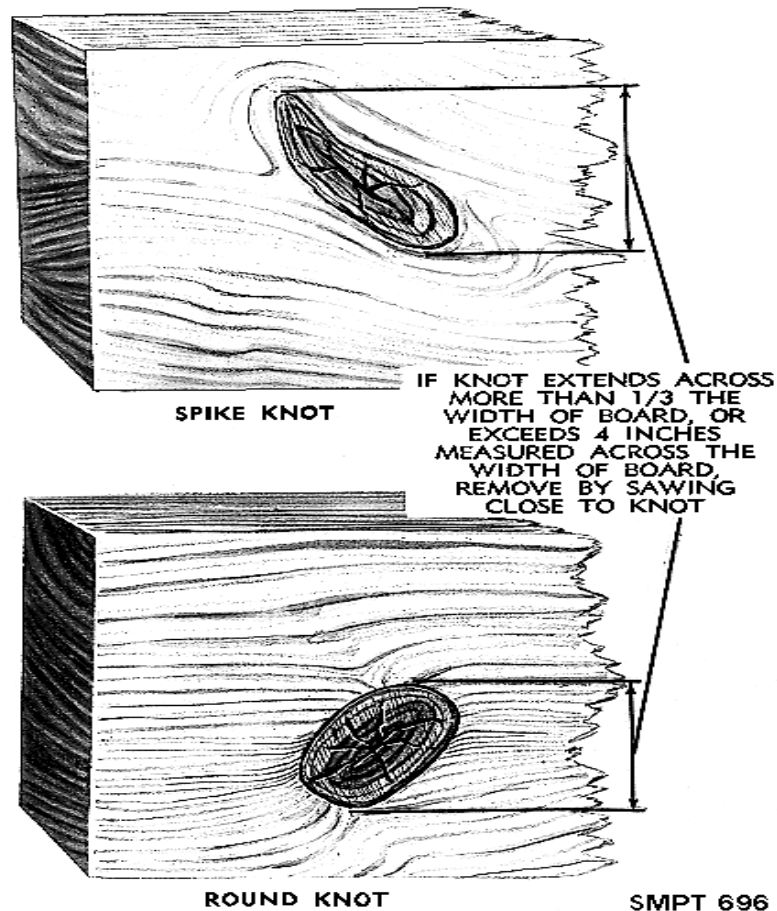


Figure 3-3. Measuring knot diameters.

Oven Dry Method

Use a drying oven capable of maintaining a constant temperature of 212°F. to 221°F., and a scale that is accurate to within one-half of 1 percent. To determine the moisture content, use the following procedure:

- Cut off at least the first 12 inches of the piece in order to avoid the effects of end drying.
- As soon as possible, cut off a piece approximately 1 inch the full thickness by the full width of the piece.
- Immediately after sawing, remove all loose splinters and determine W, the weight before drying.
- Place the wood in the hot oven and leave overnight. The next day, weigh the specimen and replace in the oven. Repeat at 2-hour intervals until the weight is the same at the end of two successive 2-hour periods. This will occur after approximately 24 hours. If more than one specimen must be open-piled in the oven to allow free access of air to all parts of the pieces.
- The final weight of the piece immediately after removal from the oven is D, the oven dry weight.
- Calculate the percentage of moisture content by using the following formula:

$$\frac{(W-D)}{W} \times 100 = \% \text{ Moisture}$$

OTHER MATERIAL SKIDS USED IN CONTAINER CONSTRUCTION

The following additional materials are used in container construction as applicable.

Nails (ASTM F 1667-95)

These may be box, corker, sinker, cooler, or common nails. Sinker and cooler nails are relatively slender, can be driven into denser woods and withstand shocks well. The heads do not break off or pull through the wood easily (fig 3-4). The resistance of nails to withdrawal varies with a number of factors such as the hardness or density of the wood, surface condition of the nails and the shape and form of nails. Dense woods hold nails much better than soft woods. To get the same nail strength with softer woods, more nails or larger nails are required. The use of chemically etched or coated nails is particularly important with soft woods. Resistance of nails to withdrawal also varies with the area of contact of the nail with the wood, increasing directly with the diameter of the nail and the depth of penetration. Nails may be subjected to forces which withdraw them directly, that is, in the direction of their length, or to forces which displace them laterally. Nails offer greater resistance to lateral displacement than to direct withdrawal. Cement coating or etching increases the resistance of nails in direct withdrawal more than in lateral withdrawal, since the nail shank is distorted in lateral withdrawal about the same, whether coated or uncoated. Etched nail surfaces have certain advantages over cement coated surfaces. The effect of etching in increasing withdrawal resistance is relatively permanent, while cement coatings deteriorate a few months after nailing. Etched nails are effective with woods of all densities, while cement coatings tend to rub off when nails are driven into dense woods. Here is a simple procedure for etching nails. Prepare a 10 percent solution (by weight) of commercial monoammonium phosphate in water. Do not use metal container for preparing or storing the solution. Keep the solution near room temperature (about 68°). Immerse the nails in the solution for about 7 hours, stirring

occasionally. Five gallons of solution is sufficient to etch about 100 pounds of nails and rinse with water. Finally, air-dry the nails to prevent rusting.

Screws (FF-S-111) Sometimes it is particularly desirable to use screws for closing wooden boxes when the contents are such that they need to be checked, lubricated, or inspected.

Corrugated Fasteners (FF-F-133)

Corrugated fasteners are used in the construction of built-up faceboards in wooden boxes (figure 3-11). When used for this purpose, nailing machine operators do not have to align each board prior to nailing. Corrugated fasteners also help to prevent pilferage of contents during storage or shipment.

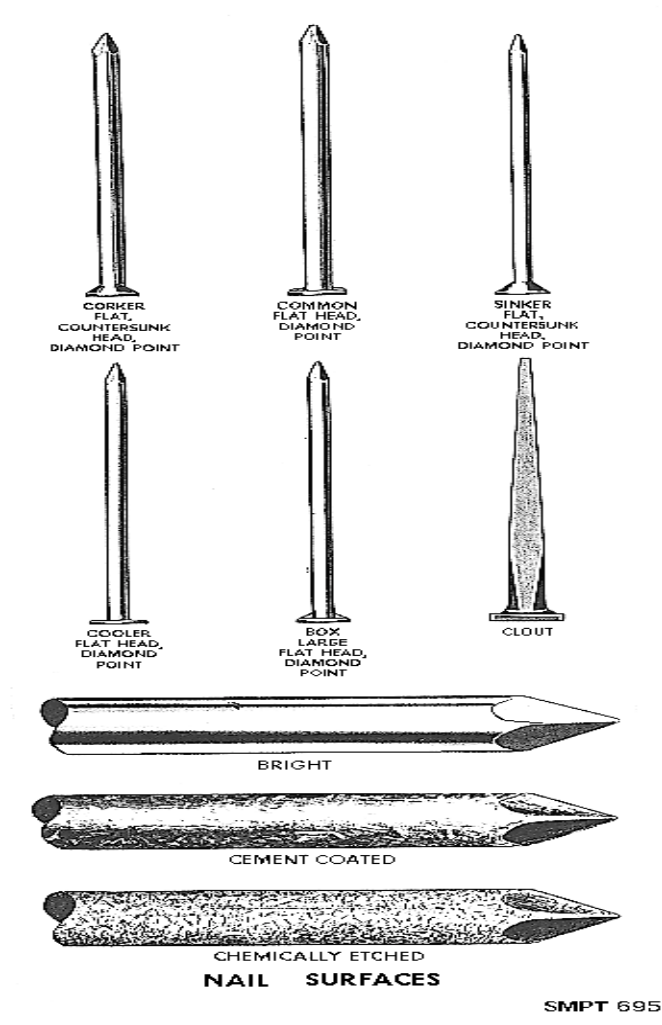


Figure 3-4. Nails.

Staple (ASTM F 1667)

Staples are used to attach cleats to panels on cleated-panel boxes. Staples with crowns not less than one-half inch must be long enough to penetrate the thickness of both the panel material and the cleat with a minimum clinch of one-eighth of an inch.

Wire Fasteners

Fasteners, other than nails, and staples, may be used to attach cleats to plywood or veneer panels. They must provide lateral displacement equal to that of nails properly spaced and driven. Wire fasteners are formed and driven by machine from a roll of knurled wire.

Strapping

Either flat metal or round wire conforming to ASTM D 3953, ASTM D 4675, and ASTM D 3950, to strap wooden containers.

Plywood (A-A-55057)

Plywood used for boxes, either for domestic or oversea destinations, shall be as specified in the procurement document or other directive establishing the container requirements. Plywood will be purchased in accordance with A-A-55057.

Fiberboard (ASTM-D-4727)

For oversea cleated panel boxes, solid V-board with a minimum dry bursting strength of 400 pounds is the only material authorized. For domestic cleated panel boxes, either solid fiberboard, solid pulp-board, or double-faced corrugated board may be used.

Paper Overlaid Veneer

This material, made of thin veneer covered on both faces with heavy kraft paper, is used as panelling material for paper overlaid veneer boxes, conforming to PPP-B-576.

NAILED AND LOCK-CORNER WOOD BOXES (PPP-B-621)

DESCRIPTION AND SELECTION

The nailed wood box is constructed of wood, assembled by fastening the top, sides, and bottom to the ends with nails, or by gluing the lock-corners of the sides and ends and fastening them to the top and bottom with nails. The placement of cleats on the ends or the lack of cleats determines the style of box. Nailed wood boxes will not be used if fiberboard or less expensive light-weight boxes will provide adequate protection for shipment and storage.

CHARACTERISTICS

Nailed wood boxes are satisfactory shipping containers for supplies and equipment, especially for items that are susceptible to damage. These containers have the following favorable and unfavorable characteristics.

- Favorable characteristics.
 - o Maximum protection to contents against damage due to puncture, distortion, and breakage.
 - o Ability to support loads due to stacking during transit and storage.

- o Ability to contain difficult loads without undue distortion.
- o Adaptability to complex wood blocking and bracing.
- o Adaptability to varying strengths by adjusting the style of box, thickness of materials, and group of wood.
- o Easy workability and simple construction.
- Unfavorable characteristics.
 - o High tare weight and cube.
 - o Not watertight.
 - o Tendency to crack.

Class and Grades (Fig 3-5)

The classes of nailed wood boxes are--

- *Class 1, domestic boxes.* These boxes are subject to storage, rehandling, or shipment to domestic destinations in which no sea transportation is involved. Net weight is limited to a maximum of 600 pounds (see tables 3-1 and 3-2).
- *Class 2, oversea boxes.* These boxes are subject to storage, rehandling, or reshipment to offshore and oversea destinations. Net weight is limited to a maximum of 1,000 pounds. Class 2 boxes (all styles) shall be furnished in the following grades, as specified. When no grade is specified in the contract, purchase order, or other procurement document, Grade B shall be supplied (see tables 3-3 and 3-4).
 - o Grade A--With preservative treatment.
 - o Grade B--Without preservative treatment.

Styles and Limitations

Class 1 and 2 boxes are described simultaneously, as applicable, in the coverage of the box styles. Styles 1, 2, 2 1/2, 4, 4 1/2, 5, 6, and 7 are permitted for Class 1 (domestic) and Styles 2, 2 1/2, 4, 4 1/2, 5, and 7 are permitted for Class 2 (oversea) shipments. Weight limitations for each class, as applicable, are given under the description of each style of box.

Style 1 Box (fig 3-6)

Style 1 box is identified by lack of cleats on the end faceboards and single line nailing of sides to ends, and of top and bottom to ends and sides. Style 1 box is intended for domestic shipments only. It is restricted to Type 1 and 2 loads. Style 1 box may not exceed a load limit of 50 pounds for two-piece sides and 100 pounds for one-piece sides. Direction of the grain on Style 1 box must run in the direction of the greatest dimension. This box is limited to a height of 10 inches and total dimensions (length, width, and depth) of 50 inches.

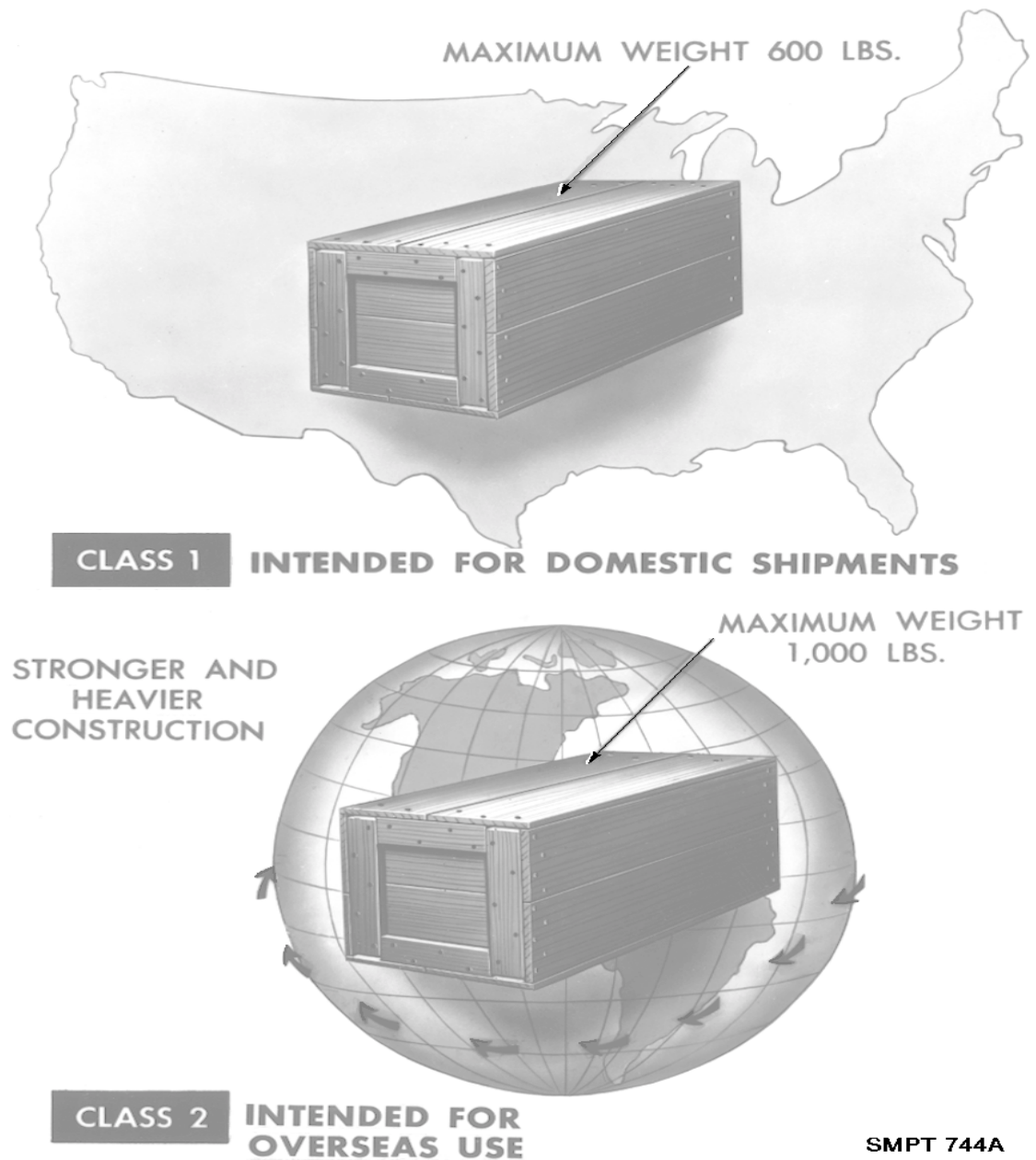


Figure 3-5. Classes of nailed wood boxes.

Style 2 Box (fig 3-6)

Style 2 box is identified by two vertical and two horizontal cleats on each end. Vertical cleats are positioned at right angles to the grain of the end. They are one-eighth of an inch shorter than the edge of the end at the top and bottom. Horizontal cleats, which are placed parallel to the grain of end, are butt-joined to the vertical cleats and are flush with the top and bottom edges of the box. The top, bottom, and sides extend over the ends and cleats and are nailed in a staggered pattern. Thus, there is some side-grain nailing on all edges. The cleat pattern provides ease of handling. Weight limitation for Style 2, Class 1 box (domestic) is 600 pounds. Weight limitation for Style 2, Class 2 (oversea) box is 1,000 pounds.

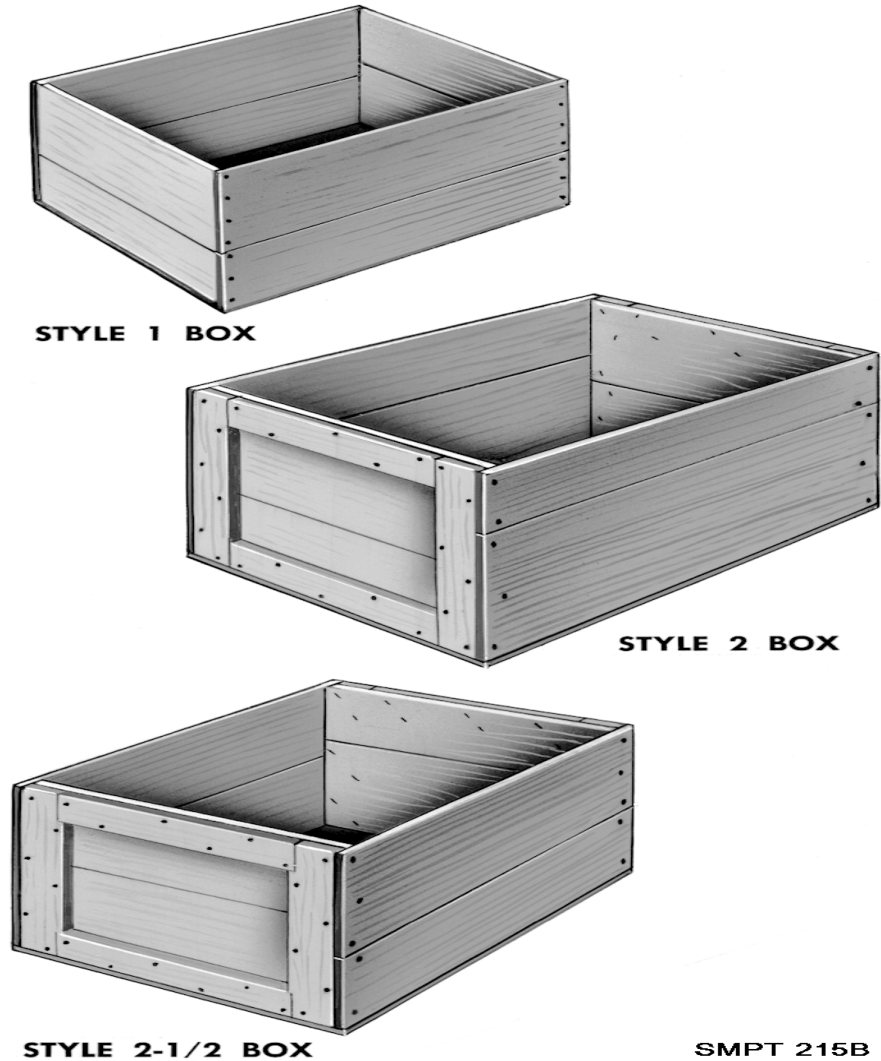


Figure 3-6. Styles of nailed woods boxes.

Style 2 1/2 Box (fig. 3-6)

Style 2 1/2 box is identified by two vertical notched cleats and two horizontal cleats on each end. It has the same advantages as the Style 2 box but is slightly higher in cost. Vertical cleats are notched approximately one-fourth to three-eighths inch to support the horizontal cleats. Vertical cleats are positioned one-eighth inch above the bottom edge of the end. Weight limitation for Style 2 1/2, Class 1 box (domestic) is 600 pounds. Weight limitation for Style 2 1/2, Class 2 box (oversea) is 1,000 pounds.

Style 4 Box (fig 3-7)

Style 4 box is identified by two vertical cleats on each end. Vertical cleats, which are positioned at right angles to the grain of the end, are one-eighth inch shorter than the outside surfaces of the top and bottom of the box. The top and bottom cover the sides. They fit between the cleats and are attached to the ends by straightline, side-grain nailing. The sides overlap the ends and cleats, providing for a staggered nailing pattern. Weight limitation for Style 4, Class 1 box (domestic) is 250 pounds. Weight limitation for Style 4, Class 2 box (oversea) is 400 pounds.

Style 4 1/2 Box (fig 3-7)

Style 4 1/2 box is identified by two horizontal end cleats. Horizontal cleats, which are positioned at right angles to the grain of the end, are one-eighth inch shorter than the outside surface of the sides. The sides extend over the ends, and provide for straight-line, side-grain nailing. The top and bottom extend over the ends and cleats, and provide for both side- and end-grain nailing. Weight limitations for both classes of boxes are the same as for Style 4 boxes.

Style 5 Box (fig 3-7)

Style 5 box is identified by interior vertical cleats. The cleats extend to within one-eighth inch from the top and bottom edges of the end of the box. Other than the placement of cleats, construction and nailing pattern for this container is the same as for Style 4 box. The interior cleats may be rectangular or triangular, provided the cross section area of the triangular cleat is not less than that of the required rectangular cleat. Weight limitation for Style 5, Class 1 box (domestic) is 250 pounds. Weight limitation for Style 5, Class 2 box (oversea) is 400 pounds.

Style 6 Box (fig 3-7)

Style 6 box is identified by the lockcorner construction which is glued. This box has about the same advantages and disadvantages as Style 1 box. Style 6 box is intended for domestic shipments only and Type 1 and 2 loads. This box has a weight limitation of 50 pounds, but may go to 100 pounds if the box has one-piece sides.

Style 7 Box (fig 3-8)

Style 7 box is an internally reinforced box consisting of a skidded base with a separate hood assembled from the top, sides and ends. Style 7 boxes are for contents ranging from 100 to 1,000 pounds. The contents must readily permit attachment to the skids. The base is assembled to 2 X 4 inch skids to facilitate mounting to a skid base. The skids are positioned across the extreme ends of the bottom pieces to permit attachment of all end pieces to the skid edges. Vertical and horizontal framing members and reinforcing members in the form of a rectangle, and cross diagonals, as applicable, are attached to the interior surfaces of the prefabricated box panels. Framing members are required when contents exceeds 250 pounds or when side length is greater than end length.

End panels are identified by vertical sheathing which extends within one-eighth of an inch of each skid bottom. The hood assembly is placed over the item mounted to the base, then nailing and strapping is accomplished. Style 7 boxes are intended for both Class 1 and Class 2 use.

Shallow Box (fig 3-9)

When the inside depth of a box is five inches or less, cleats are not used. If cleats were applied to shallow boxes, they would be so small that in attaching them to the ends they would split. The end of the box may be made of one piece, or if the end is approximately square, it may be made of two pieces placed so that the grain runs in opposite directions. For Style 2, 2 1/2, 3, 4, and 4 1/2 boxes, the thickness of the ends shall be not less than the combined thickness of the end and cleat, as specified. Slides overlap the ends. Top and bottom overlap the sides and ends. Top, bottom, and sides are attached to the ends by staggered nailing. Weight limitation is 1,000 pounds for oversea shipments.

Construction Details

When nailed wood boxes are built locally, use the following information for constructing and closing the various styles. If purchased and received in shoo form, the sides, top, an bottom will be ready to be attached to the constructed ends. Figure 3-10 shows the amount of acceptable splitting allowed in the component parts.

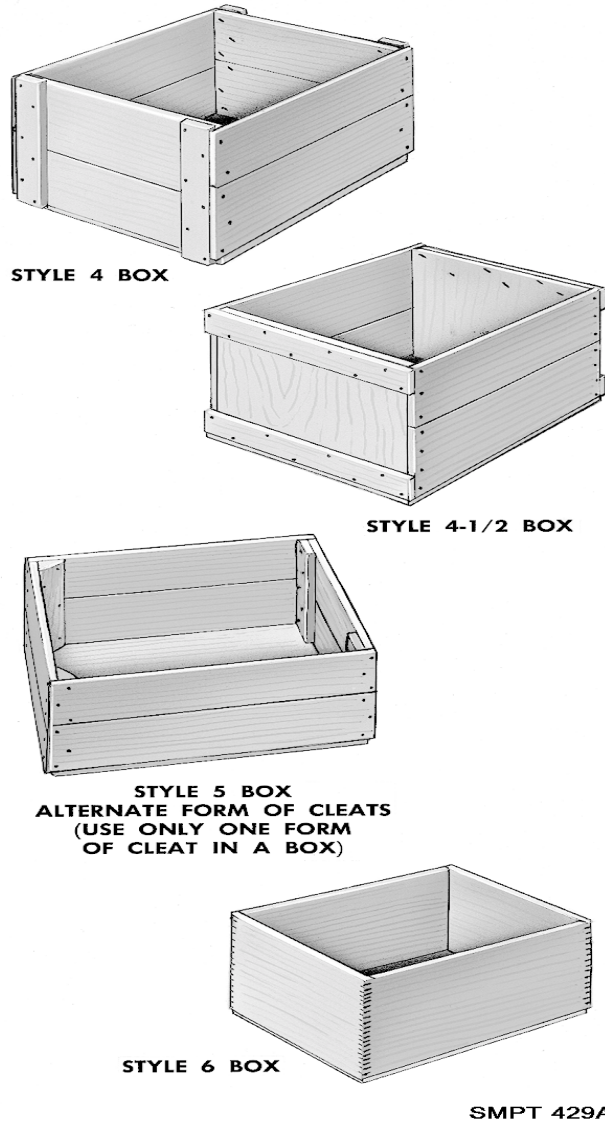


Figure 3-7. Styles of nailed wood boxes.

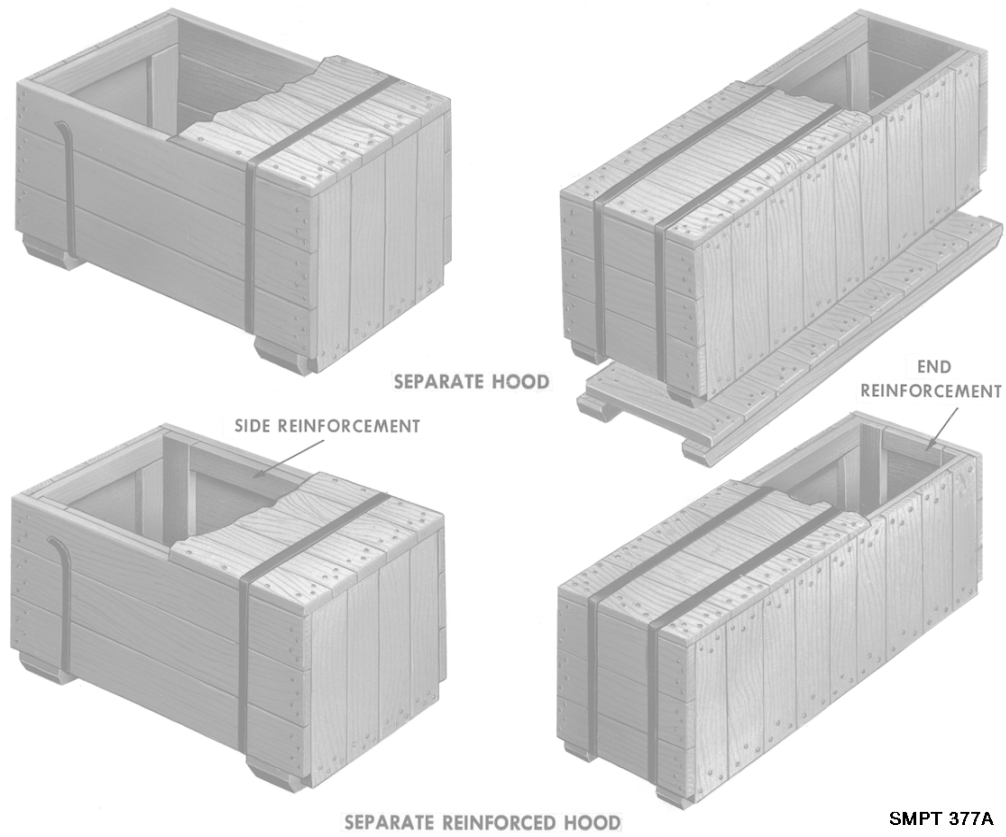


Figure 3-8. Style 7 nailed wood box.

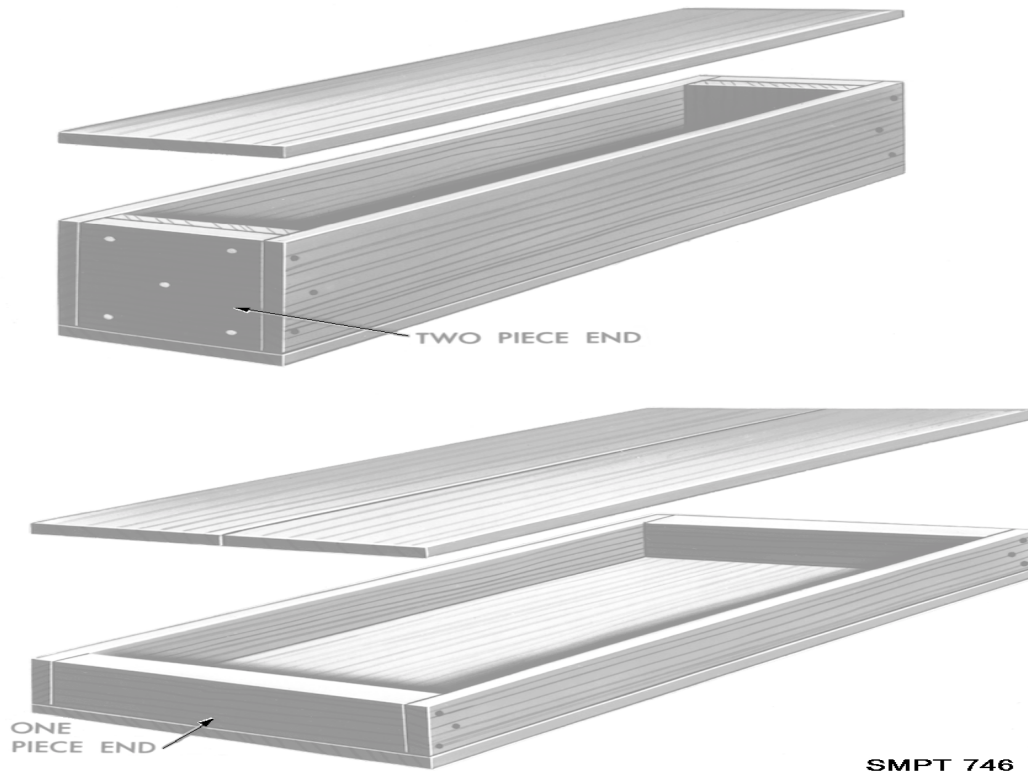


Figure 3-9. Shallow boxes.

Size of lumber

The size of lumber used in nail wood box construction is found in tables 3-1, 3-2, 3-3, and 3-4. Information necessary to use these tables is: Class of box, type of load, net weight, style of box, and group of wood.

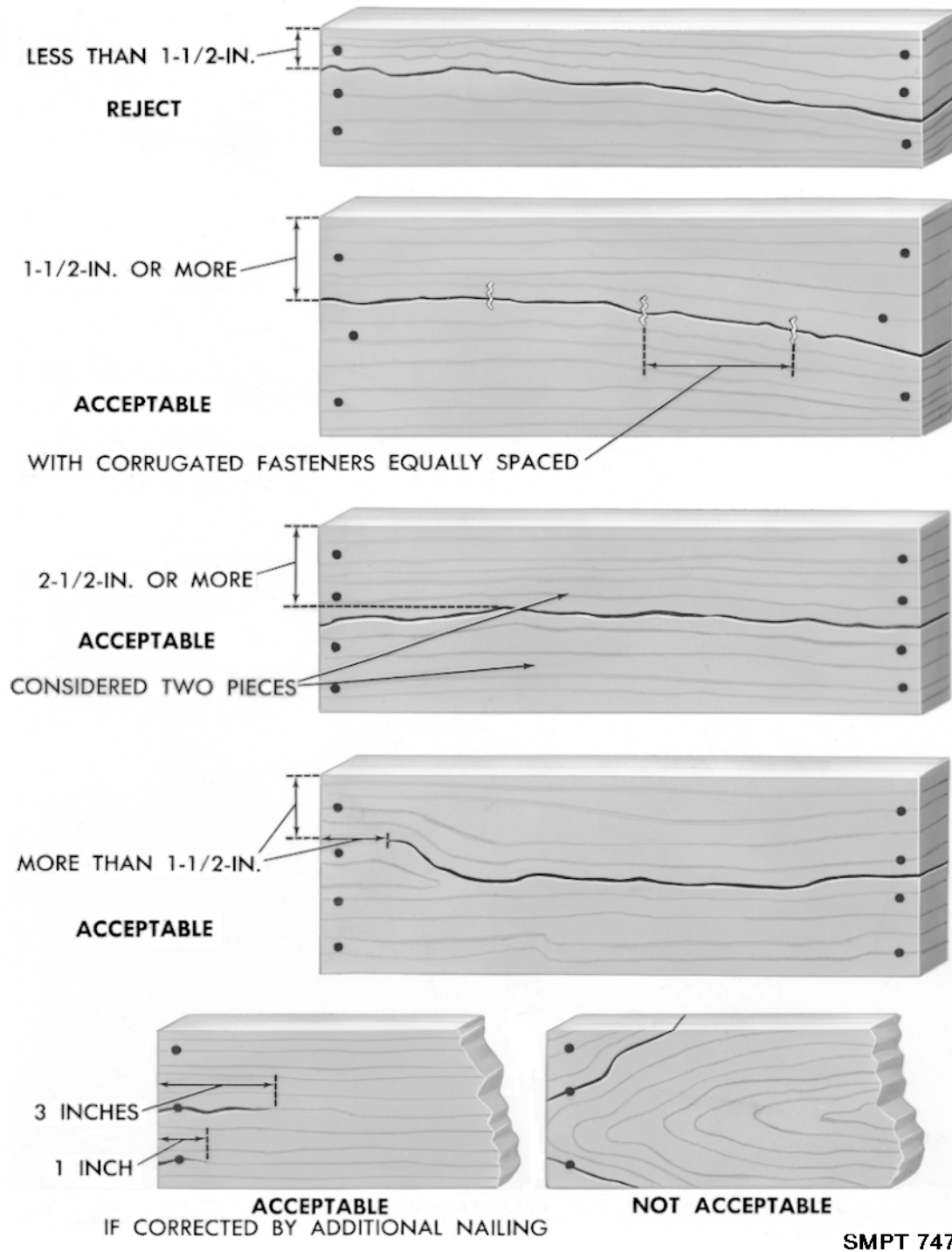


Figure 3-10. Split board rules

Construction Of Built-Up Faceboard Pieces (Fig 3-11)

The number of pieces in any side, top, bottom, or end will be chosen so that no single solid piece or built-up piece shall be less than 2 1/2 inches in width measured across the face, and will not exceed the number given in table 3-5. Built-up face-board pieces may be constructed according to the following conditions:

- The Linderman joint when glued.
- Butt joints glued under pressure.
- Tongued and grooved joints glued under pressure.
- Tongued and grooved joints glued with two or more corrugated fasteners driven from one side.
- Tongued and grooved unglued joints with two or more corrugated fasteners driven from alternate sides.

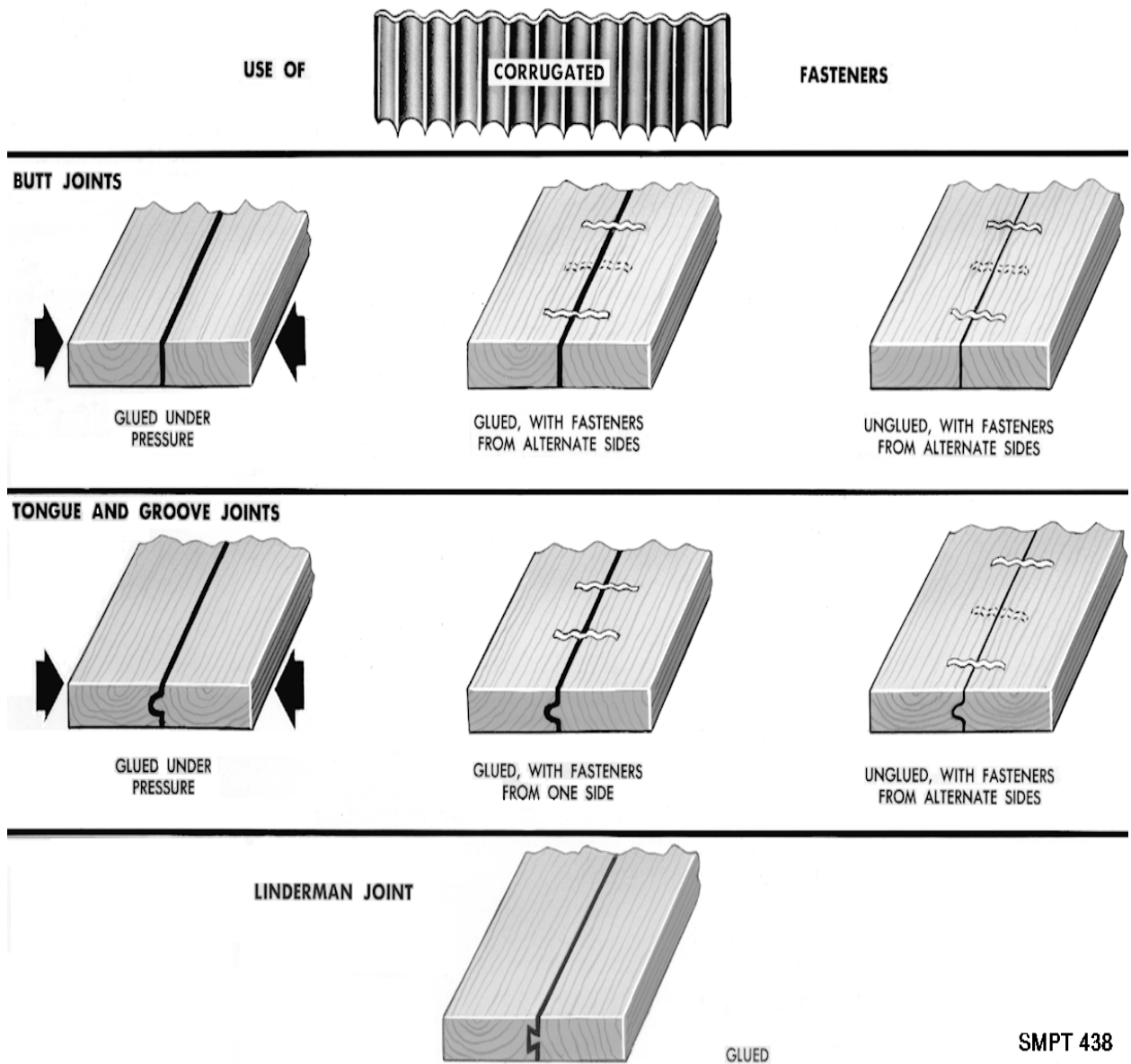


Figure 3-11. Joined pieces of lumber.

Table 3-1. Boxes for domestic shipment, type 1 (easy) and type 2 (average) loads; thickness of sides, tops, bottoms, and ends, and thickness and width of cleats.

Weight of contents		Style of Box ⁶	Groups I and II woods ¹			Groups III and IV woods ²		
Exceeding	Not exceeding		Thickness of sides, tops, and bottoms	Thickness of ends	Thickness and width of cleats	Thickness of sides, tops, and bottoms	Thickness of ends	Thickness and width of cleats ³
Pounds	Pounds		Inch	Inch	Inches	Inch	Inch	Inches
--	50	1	3/8	1/2	--	1/4	1/2	--
--	50	4,4-1/2,5	3/8	1/2	1/2 by 2	1/4	1/2	1/2 by 1-3/4
--	50	2	3/8	3/8	3/8 by 2	1/4	3/8	3/8 by 1-3/4
--	50	6	3/8	1/2	--	1/4	3/8	--
50	100	1 ⁴	3/8	1	--	3/8	3/4	--
50	100	4,4-1/2,5	3/8	5/8	5/8 by 3	3/8	1/2	1/2 by 1-3/4
50	100	2,2-1/2	3/8	1/2	1/2 by 2	3/8	1/2	1/2 by 1-3/4
50	100	6 ⁴	3/8	1	--	3/8	1/2	--
100	250	4,4-1/2,5	1/2	5/8	5/8 by 3	1/2	1/2	1/2 by 2-1/4
100	250	2, 2-1/2,7	1/2	5/8	5/8 by 3	1/2	1/2	1/2 by 1-3/4
250	400 ⁵	2, 2-1/2,7	5/8	1	1 by 3	1/2	3/4	3/4 by 2-1/4

¹Nominal. The dressed sizes of wood shall equal or exceed the minimum sizes shown in Table I of 20-70. For the purpose of this specification, reference to STD 20-70 shall be limited to the above.

²Thickness tolerance shall be " 1/16 inch for parts 3/8 inch thick and thicker, except as otherwise specified. Thickness tolerance shall be + 1/16 - 1/32 inch for pieces less than 3/8 inch thick.

³Width tolerance shall be " 1/16 inch, except as otherwise specified.

⁴Providing the boxes have one-piece solid sides of sawed lumber and contents are packed in interior containers.

⁵When load to be carried by the box exceeds 400 pounds, use Table 3-3; when load exceeds 600 pounds, use Table 3-4.

⁶Styles 2, 2-1/2, 4, 4-1/2 boxes. Unless otherwise specified, when the inside depth of a box is 5 inches or less, end cleats shall not be used. Thickness of the ends shall be not less than the combined thickness of the end and cleat, as specified. Each side and end shall be made from one piece, except when the end is approximately square, a two-piece end may be used with each end piece of approximately equal thickness, and with the grain of each piece running at right angles to the other. Two-piece ends shall be nailed together with at least two clinched nails.

Table 3-2. Boxes for domestic shipment, type 3 (difficult) loads; thickness of sides, top, bottoms, and ends, and thickness and width of cleats.

Weight of contents		Style of Box ⁵	Groups I and II woods ¹			Groups III and IV woods ²		
Exceeding	Not exceeding		Thickness of sides, tops, and bottoms	Thickness of ends	Thickness and width of cleats	Thickness of sides, tops, and bottoms	Thickness of ends	Thickness and width of cleats ³
Pounds	Pounds		Inch	Inch	Inches	Inch	Inch	Inches
-	50	4,4-1/2,5	3/8	5/8	5/8 by 2	3/8	1/2	1/2 by 1-3/4
50	100	4,4-1/2,5	1/2	1	1 by 3	1/2	1/2	1/2 by 1-3/4
50	100	2,2-1/2	1/2	5/8	5/8 by 2	1/2	1/2	1/2 by 1-3/4
100	250	4,4-1/2,5	5/8	1	1 by 3	1/2	3/4	3/4 by 2-1/4
100	250	2,2-1/2,7	5/8	1	1 by 3	1/2	1/2	1/2 by 2-1/4
250	400	2,2-1/2,7	1	1	1-1/4 by 4	3/4	3/4	3/4 by 2-1/4
400	600 ⁴	2,2-1/2,7	1	1	1-1/4 by 4	3/4	3/4	3/4 by 2-5/8

¹Nominal. The dressed sized of the wood shall equal or exceed the minimum sizes shown in Table I of STD 20-70. For the purpose of this specification, reference to STD 20-70 shall be limited to the above.

²Thickness tolerance shall be " 1/16 inch, for parts 3/8 inch thick and thicker unless otherwise specified.

³Width tolerance shall be " 1/16 inch, unless otherwise specified.

⁴When load to be carried by the box exceeds 600 pounds, use Table 3-4.

⁵Styles 2, 2-1/2, 4, 4-1/2 boxes. Unless otherwise specified, when the inside depth of a box is 5 inches or less, end cleats shall not be used. Thickness of the ends shall be not less than the combined thickness of the end and cleat, as specified. Each side and end shall be made from one piece, except when the end is approximately square, a two-piece end may be used with each end piece of approximately equal thickness, and with the grain of each piece running at right angles to the other. Two-piece ends shall be nailed together with at least two clinched nails.

Table 3-3. Boxes for overseas shipment, type 1 (easy) and type 2 (average) load; thickness of sides, tops, bottoms, and ends, and thickness and width of cleats.

Weight of contents		Style of box ¹	Groups I and II woods ²			Groups III and IV woods ³		
Exceeding	Not exceeding		Thickness of sides, tops, and bottoms 2/	Thickness of ends 2/	Thickness and width of cleats 2/	Thick-ness of sides, tops, and bottoms	Thickness of ends	Thickness and width of cleats 4/
Pounds	Pounds		Inch	Inch	Inches	Inch	Inch	Inches
--	50	4,4-1/2,5	3/8	5/8	5/8 by 2	3/8	1/2	1/2 by 1-3/4
50	100	4,4-1/2,5,7	1/2	1	1 by 3	3/8	1/2	1/2 by 1-3/4
100	250	4,4-1/2,5	5/8	1	1 by 3	1/2	3/4	3/4 by 2-1/4
100	250	2,2-1/2,7	5/8	5/8	5/8 by 3	1/2	1/2	1/2 by 2-1/4
250	400	4,4-1/2,5	1	1	1 by 3	3/4	3/4	3/4 by 2-1/4
250	400	2,2-1/2,7	1	1	1 by 3	3/4	3/4	3/4 by 2-1/4
400	600	2,2-1/2,7	1	1	1 by 3	3/4	3/4	3/4 by 2-1/4
600	1000	(see Table 3-4)						

¹Styles 2, 2-1/2, 4, 4-1/2 boxes. Unless otherwise specified, when the inside depth of a box is 5 inches or less, end cleats shall not be used. Thickness of the ends shall be not less than the combined thickness of the end and cleat as specified. Each side and end shall be made from one piece, except when the end is approximately square, a two-piece end may be used with each piece of approximately equal thickness, and with the grain of each piece running at right angles to the other. Two-piece ends shall be nailed together with at least two clinched nails.

²Nominal. The dressed sizes of the wood shall equal or exceed the minimum sizes shown in Table I of STD 20-70. For the purposes of this specification, reference to STD 20-70 shall be limited to the above.

³Thickness tolerance shall be plus or minimum 1/16 inch for parts 3/8 inch thick and thicker, unless otherwise specified.

⁴Width tolerance shall be 1/16 inch unless otherwise specified.

Table 3-4. Boxes for overseas shipment, type 3 (difficult) load; thickness of sides, tops, bottoms, and ends, and thickness and width of cleats.

Weight of contents		Style of box ¹	Groups I and II woods ²			Groups III and IV woods ³		
Exceeding	Not exceeding		Thickness of sides, tops, and bottoms ²	Thickness of ends ²	Thickness and width of cleats ²	Thickness of sides, tops, and bottoms	Thickness of ends	Thickness and width of cleats ⁴
Pounds	Pounds		Inch	Inch	Inches	Inch	Inch	Inches
--	100	4,4-1/2,5	1/2	1	1 by 3	1/2	1/2	1/2 by 1-3/4
--	100	2,2-1/2,7	1/2	5/8	5/8 by 3	1/2	1/2	1/2 by 1-3/4
100	250	4,4-1/2,5	5/8	1	1 by 3	1/2	3/4	3/4 by 2-1/4
100	250	2,2-1/2,7	5/8	5/8	1 by 3	1/2	3/4	1/2 by 2-1/4
250	400	4,4-1/2,5	1	1-1/4	1-1/4 by 4	3/4	7/8	7/8 by 2-5/8
250	400	2,2-1/2,7	1	1	1-1/4 by 4	3/4	3/4	3/4 by 2-5/8
400	600	2,2-1/2,7	1	1	1-1/4 by 4	3/4	7/8	7/8 by 2-5/8
600	800	2,2-1/2,7	1	1-1/4	1-1/4 by 4	3/4	7/8	7/8 by 2-5/8
800	1000	2,2-1/2,7	1-1/4	1-1/2	1-1/2 by 5	7/8	1-3/8	1-3/8 by 3-1/4

¹Styles 2, 2-1/2, 4, 4-1/2 boxes. Unless otherwise specified, when the inside depth of a box is 5 inches or less, end cleats shall not be used. Thickness of the ends shall be not less than the combined thickness of the end and cleat as specified. Each side and end shall be made from one piece, except when the end is approximately square, a two-piece end may be used with each piece of approximately equal thickness, and with the grain of each piece running at right angles to the other. Two-piece ends shall be nailed together with at least two clinched nails.

²Nominal. The dressed sizes of the wood shall equal or exceed the minimum sizes shown in Table I of STD 20-70. For the purposes of this specification, reference to STD 20-70 shall be limited to the above.

³Thickness tolerance shall be plus or minimum 1/16 inch for parts 3/8 inch thick and thicker, unless otherwise specified.

⁴Width tolerance shall be 1/16 inch unless otherwise specified.

Table 3-5. Number of Pieces in any Box Part.

Width of box part		Maximum number of pieces single solid or built-up
Exceeding	Not exceeding	
Inches	Inches	
0.....	2-1/2.....	1
2..1/2.....	5.....	2
5.....	7-1/2.....	3
7-1/2.....	12.....	4
12.....	(See note)

Note: The width of pieces in box parts exceeding 12 inches the average width of pieces shall be not less than 3 inches. No single solid or built-up piece shall be less than 2-1/2 inches in width across the space.

Additional Cleats and Battens

Additional cleats will be made of the same size lumber as the regular cleats. They are placed on the ends of a box when required, according to length of unsupported span (table 3-6). Additional cleats applied to ends run across the grain of the end (right angle to grain direction) and midway between the regular cleats. Battens are made of the same size lumber as regular cleats. Battens are used on the sides, top, and bottom when the limit of unsupported span is exceeded (table 3-6). Wherever possible, and without increasing the size of the container, battens should be placed inside the box. When battens are required to be placed on the outside of a box without skids, not less than two sets shall be attached across the sides, top, and bottom. They shall be applied so that those on the top and bottom extend over the ends of the side battens. They shall be located not less than 2 1/2 inches nor more than one-sixth the length of the box with respect to each box end. However, that distance and the interval between sets of battens shall be not more than maximum span specified in table 3-6. Exterior battens shall be applied to boxes with skids in the same manner as required for interior battens except that the bottom battens shall be fabricated from one piece of lumber a minimum of 2 1/2 inches high and 3 1/2 inches wide.

Diagonals (fig 3-12)

Sometimes diagonal reinforcing members are added to the interior or exterior surfaces of the box. Diagonals used on both the end and side panels are the same width and thickness as required for cleats and are nailed in the same manner. The presence of intermediate battens or cleats, required by table 3-6, determine the number of single diagonals on each panel. Single diagonals in each of two adjacent areas of one panel are arranged to peak at the center and bear at the upper end of the intermediate batten. Three or more diagonals in adjacent areas of one panel are arranged in a zigzag manner. When a 24-inch minimum strapping interval is required, the inner surface of the exterior diagonals must be notched slightly to permit the strapping to pass under each diagonal.

Skids

Boxes (except style 7) with items packed therein, having a gross weight in excess of 200 pounds, or containers with length and width dimensions of 48 inches by 24 inches or more and weighing more than 100 pounds, shall be provided with a minimum of two skids. The skids shall be fabricated from one piece of 2 1/2 inches high and 3 1/2 inches wide. Skids shall replace

exterior battens on box bottoms when battens are required in table 3-6. Skids shall be placed parallel to and extend the full width of the box and shall be positioned not closer than 2 1/2 inches nor more than one sixth the length of the box from each end of the box. The distance between skids, measured between the inside edges, shall not exceed the distance between battens, and when battens are not required, shall not exceed 48 inches. Additional skid(s), as required, shall be positioned so as to divide the distance between the end skids into units of equal length. When bolt fastening is provided for the item being packed, additional skids, as needed, shall be located on the box bottom so as to enable the item to be bolted through the skids. The skids shall be notched as applicable to provide clearance for either girthwise or lengthwise strapping. When 4-way fork entry is required, skids shall be a minimum of 3 1/2 inches high and 3 1/2 inches wide, cut out a minimum of 2 inches, in depth and of such width as to accommodate forks and slings for handling, and may be placed lengthwise flush with the box sides. The skids shall be secured to the box by nails. The nails shall be driven from the inside through the bottom into the skids and be clinched not less than 1/8 inch. Alternative to clinching, nails conforming to Type II, style 18 of ASTM F 1667-95 may be used of such length as to penetrate a minimum of 3/4 the thickness of the skids and shall not protrude through the skid. The nails shall be arranged in two rows in a staggered pattern, with space between nails in each row not to exceed 6 inches. Nails shall not be located less than 1/2 inch from edges of the skid nor less than approximately 1 1/2 inches from ends of the skid. Variation in specified thickness of skids may be plus or minus 1/8 inch and the variation in specified width of skids may be plus or minus 1/4 inch. When skids are specified and box requires 2 or more inside battens (table 3-6), the inside bottom battens need not be applied. However, a skid shall be attached to the outside of the box bottom placed in alignment with each side batten.

Table 3-6. Requirements for Additional Battens or Cleats.

Thickness of ends, side, top, or bottom		Maximum length of unsupported span
Groups I and II woods	Groups III and IV woods	
Inches	Inches	Inches
.....	1/4	19
3/8	21
.....	3/8	23
1/2	30
.....	1/2	34
5/8	38
.....	5/8	42
.....	3/4	47
1	50
.....	13/16	54
1-1/4	7/8	64

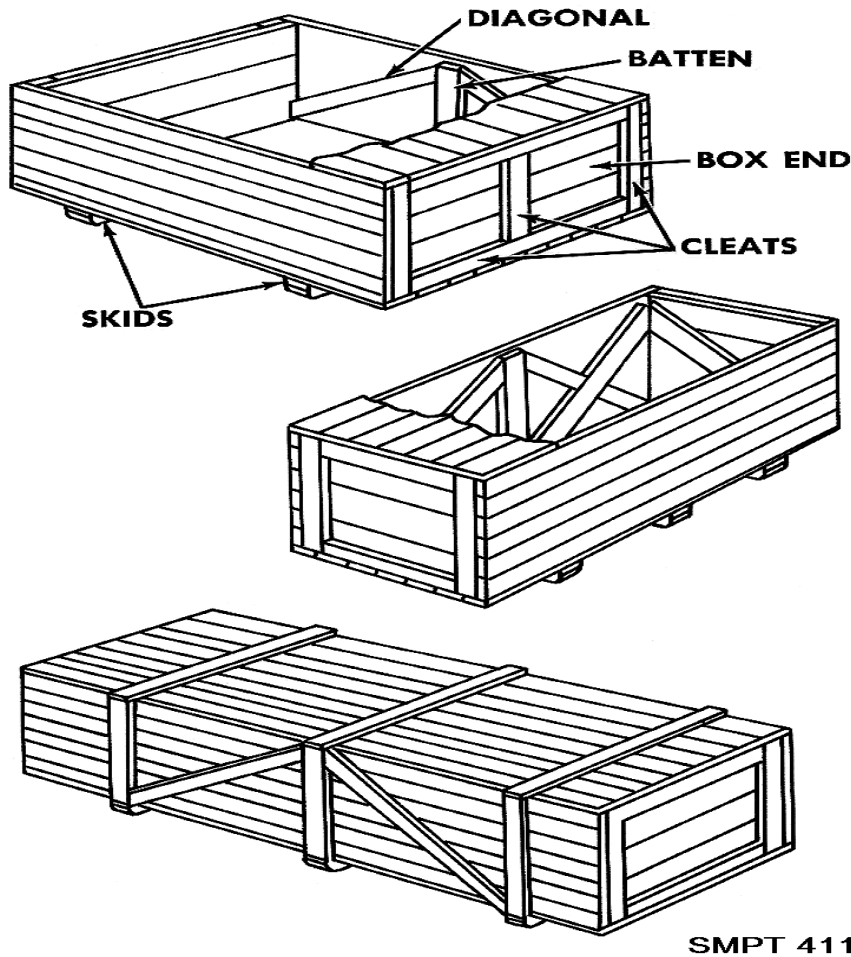


Figure 3-12. Style 2 reinforced box.

NAILING REQUIREMENTS

SPACING AND SIZES

Nail spacing and sizes will conform to tables 3-8 and 3-9.

NAILING OF TOP AND BOTTOM

When specified, the top and bottom should be nailed to the box sides.

NAIL SIZES

Sizes of nails are determined from the following information:

- Nail sizes for fastening sides, top, and bottom to ends and cleats are determined by the group of wood and thickness of the pieces being fastened together (table 3-7).
- Nail sizes to secure top and bottom to the sides are determined from the group of wood being used and the thickness of the side (table 3-8).
- Nails to fasten cleats to the ends will be long enough to penetrate both the cleat and the end and be clinched at least one-eighth of an inch. However, when eightpenny nails or smaller are used, they may be clinched not more than three-eighths inch.
- If correct nail size is not available, or splitting is encountered, one size smaller is used, and the spacing will be one-fourth of an inch closer.

NAIL SPACING

The spacing of nails is determined from the following:

- Nail spacing for fastening sides, top, and bottom to the ends will depend on the size of nails used, and whether driven into side-grain or end-grain. If nails are driven into both side- and end-grain, the spacing is the same as for end-grain nailing (table 3-9).
- Nail spacing for fastening the top and bottom to the sides of the box is determined from the thickness of sides. If the thickness of the sides is less than three-fourths of an inch, no nailing is permitted. There is a minimum and maximum spacing (table 3-8).

When attaching cleats and battens, the nails are driven in two parallel rows spaced alternately as given in table 3-9, so that the end nails are not less than three-fourths of an inch from the end of the cleat or batten. All nails shall pass through both the cleat and the end (or batten and side, top and bottom) and be clinched. Nails are driven approximately three-eighths of an inch from the edge when the cleat or batten is 2 inches or under in width, and one-half of an inch when it is over 2 inches in width.

NAILING RULES

It is imperative that poor nailing practices be avoided and correct nailing procedures be followed. Both are shown in figures 3-13 and 3-14, and stressed in the following rules:

- Each single solid piece or built-up piece in the sides, top, or bottom will have at least two nails or other acceptable fastener at each end.
- Each single piece or built-up piece is fastened to each vertical cleat or batten with not less than two nails or other acceptable fastener.
- Wherever possible, side-grain nailing should be accomplished. In nailing to both the end and the cleats, at least half of the nails are driven into the cleat.
- Where a cleat is attached to an end, at least one end nail will be adjacent to the inside edge of the cleat.
- Nails are clinched across the grain of the wood, if possible.
- Nails must be driven so that neither the head nor the point will project above the surface of the wood.
- Occasionally, overdriven nails are permitted. Nails overdriven more than one-eighth the thickness of the piece are not permitted.
- Cement-coated or chemically-etched nails have a holding power considerably greater than that of uncoated and consequently 25 percent more nails of the same size are needed when smooth nails are used in place of cement-coated or chemically-etched nails. The comparative holding power of nails is illustrated in figure 3-15. Bright, uncoated nails must be clinched.

Table 3-7. Size of cement-coated or chemically-etched cooler, sinker, and standard box nails for boxes.

Species of wood	Thickness of ends or cleats to which sides, tops and bottoms are nailed (inch)											
	Exceeding	7/16	1/2	9/16	5/8	11/16	13/16	7/8	1	1-1/8	1-1/4
	Not exceeding	7/16	1/2	9/16	5/8	11/16	13/16	7/8	1	1-1/8	1-1/4
Group I.....	Size of nail (penny)	4	5	5	6	7	8	8	9	9	10	12
Group II.....		4	4	5	5	6	7	7	8	9	9	12
Group III.....		3	4	4	5	5	6	7	7	8	9	10
Group IV.....		3	3	4	4	4	5	6	7	8	8	9

Table 3-8. Size of nails and spacing for nailing tops and bottoms to sides of boxes.

Thickness of side (inches)	Group I wood Group II wood		Groups III and IV woods	Spacing	
				Minimum	Maximum
Under 3/4.....	No nailing permitted				
3/4 thru 7/8 incl.....	7d	6d	5d	6	8
15/16 thru 1-1/16 incl....	8d	7d	6d	6	8
Over 1-1/16.....	10d	9d	8d	8	10

Table 3-9. Spacing of cement-coated or chemically-etched nails for boxes.

Size of Nails	Spacing when driven into side grain	Spacing when driven into end grain ¹
	Inches	Inches
Sixpenny or smaller	2	1-3/4
Sevenpenny.....	2-1/4	2
Eightpenny.....	2-1/2	2-1/4
Ninepenny.....	2-3/4	2-1/2
Tenpenny.....	3	2-3/4
Twelvepenny.....	3-1/2	3
Sixteenpenny.....	4	3 1/2
Twentypenny.....	4-1/2	4

¹When nails are alternately driven into end-grain of end and side-grain of cleat (such as nailing sides to ends in Styles 2, 2-1/2, 3, 4, 4-1/2, 5 and 7) use spacing based on driving nails into end-grain.

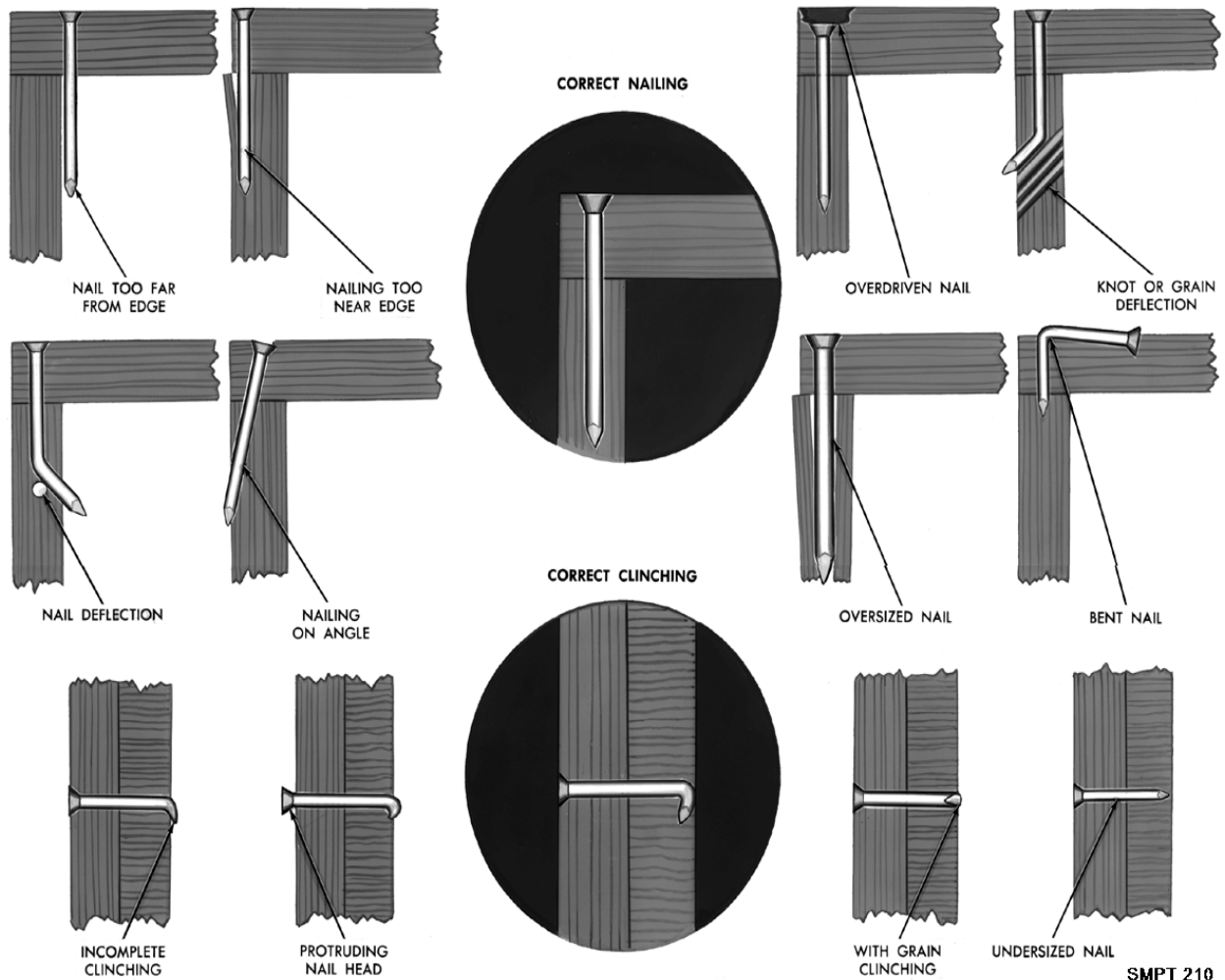


Figure 3-13. Nailing.

SETTING UP OF STYLE 1 AND 6 BOXES

The setting up of these styles is accomplished in the following order:

- Select nails and glue.
 - Size of coated and etched nails and proper spacing is determined from tables 3-7, 3-8, and 3-9.
 - Glue for securing sides to ends of Style 6, lock-corner box, is any commercially available water-resistant glue.
 - Fasten the sides to the ends by straight-line nailing, using cement-coated or chemically-etched nails.
 - Apply glue to both surfaces of the sides and ends of the lock-corners of Style 6 boxes.
 - Nail the top and bottom.
 - Use nails and proper spacing determined above.
 - Secure the bottom of the box by nailing into the ends.
 - After the load is inserted, secure the top of the box in the same manner as the bottom.

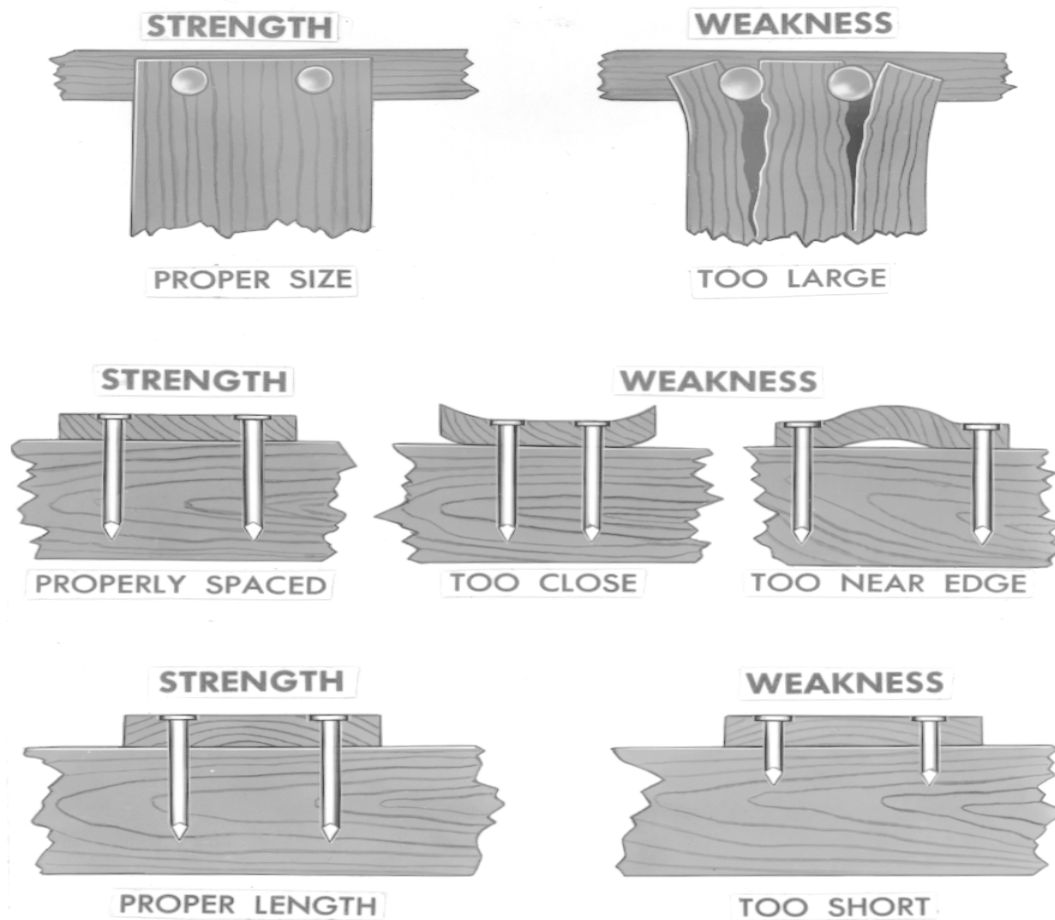


Figure 3-14. Proper and improper nailing.

SETTING UP OF STYLE 2 AND 2 1/2 BOXES

The setting up of these styles is accomplished in the following order:

- Select nails and proper spacing.
 - Select proper size and spacing of coated or etched, and bright, uncoated nails from tables 3-7 and 3-8.
 - Fasten the cleats to the ends.
 - Nail cleats to end, using a staggered nailing pattern.
 - Nails for nailing cleats to ends may be bright, uncoated, but must be clinched.
 - Position the vertical cleats on the end at right angles to the grain of the end.
 - Fasten the sides to the ends.
 - Lap the sides over the ends and cleats.
 - Nail the sides to the ends and cleats with coated or etched nails in a staggered pattern.
 - Nail the top and bottom.
 - Lap the top and bottom over the ends and cleats.
 - Nail the top and bottom to the ends and cleats with coated or etched nails in a staggered pattern.

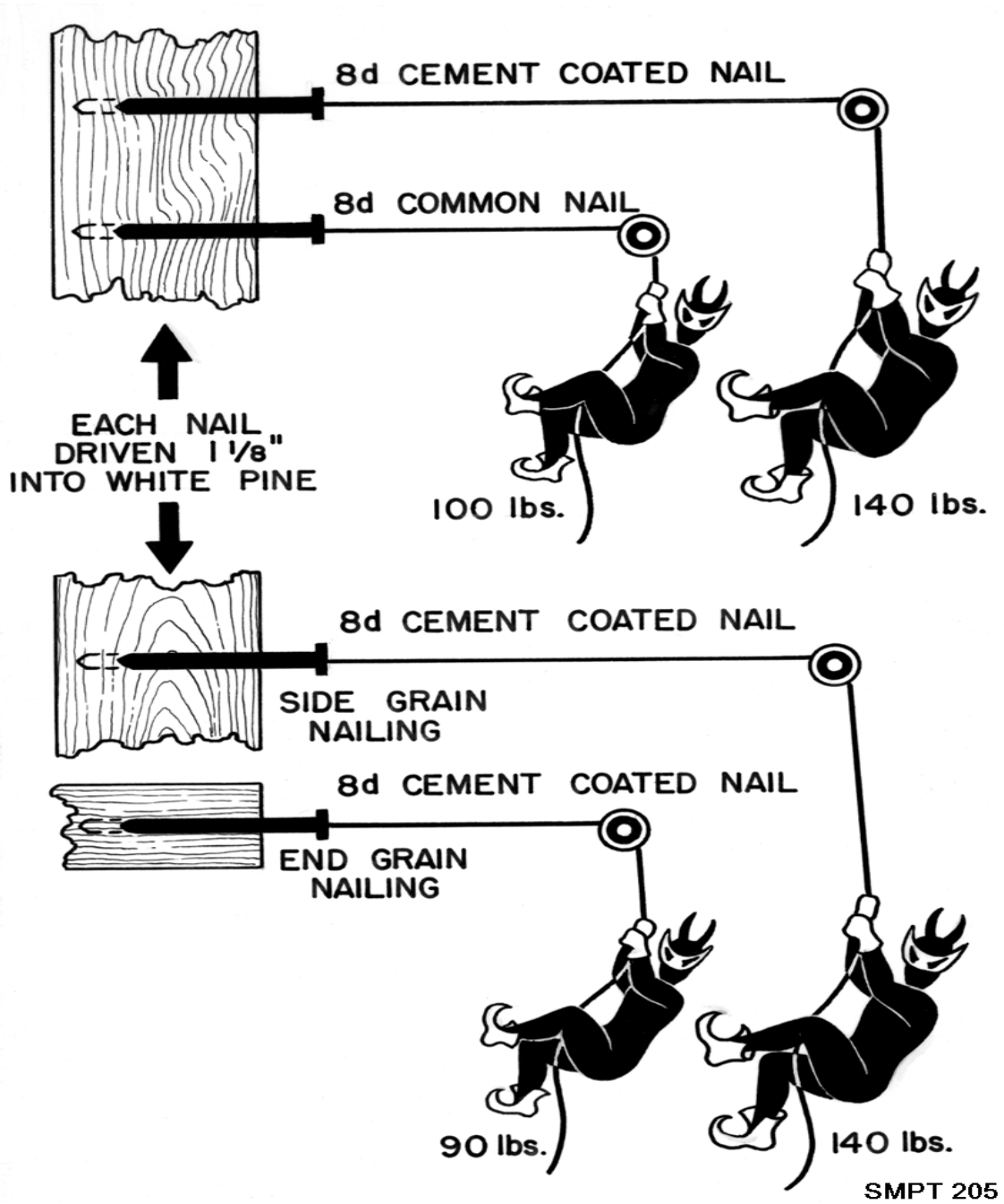


Figure 3-15. Nail holding power.

Setting up of style 4, 4 1/2, 5, and shallow boxes

The setting up of these styles is accomplished in the following order:

- Select nails and proper spacing. Select the proper size and spacing of coated or etched, and bright, uncoated nails from tables 3-7, 3-8, and 3-9.
- Fasten the cleats to the ends.
- Nail the cleats to the end using a staggering nailing pattern.
- Nails for nailing the cleats to the ends may be bright, uncoated, but must be clinched.
- Fasten the sides to the ends.
- Lap the sides over the ends and cleats on Style 4 and 5 boxes.
- Fasten the sides to the ends and cleats in a staggering nailing pattern.
- Lap the sides of Style 4 1/2 and shallow box over the ends.
- Drive the nails in a straight line for Style 4 1/2 box and in a staggered pattern for shallow boxes.
- Nail the top and bottom.
 - Nail the bottom of the box to the ends and sides.
 - On Style 4 and 5, boxes nail the top and bottom to the end with straightline nailing.
 - On Style 4 1/2 and shallow boxes, nail the top and bottom to the ends with a staggered nailing pattern.

Strapping Requirements

Strapping used on nailed wood boxes may be either round or flat. Proper size of strapping is determined by the net weight of contents and the number of straps used (tables 3-10 and 3-11). All straps are applied perpendicular to the edges of the box over which they pass and are drawn tight so as to sink into the wood at the edges. Straps shall be applied just prior to shipment where practicable. Strapping requirements are found in the Appendix to Specification PPP-B-621.

CLASS 1 (DOMESTIC) BOXES

Unless otherwise specified, Style 1 and 6 boxes, regardless of weight, and Style 2, 2 1/2, 4 4 1/2, 5, and 7 boxes, with weight of contents exceeding 100 pounds, shall be strapped. When specified, Style 2, 2 1/2, 4 4 1/2, and 5 boxes, with weight of contents less than 100 pounds, shall be strapped.

CLASS 2 (OVERSEA) BOXES

All boxes used for a shipment intended for overseas shall be strapped (fig 3-16).

Placement of Straps

On most boxes, the first straps are positioned girthwise about one-sixth of the length of the box from each end, not to exceed 9 inches from the ends.

On Styles 1 and 6, the first strap is lengthwise, followed by two girthwise straps.

When strapping is required on Style 7 boxes, one strap is applied parallel to, and immediately adjoining the inner edge of each skid. Three or more straps, equally spaced, are required when spacing between straps exceeds 24 inches.

Table 3-10. Minimum gage of round wire for various weights of boxes.

Net weight of contents		Gage of wire when different number of wires are used			
		Two bands		Three or more bands	
Exceeding	Not exceeding	Class B	Class A	Class B	Class A
Pounds	Pounds	Inch	Inch	Inch	Inch
0.....	70.....	0.0720 (15 gage)	0.0625 (16 gage)	0.0720 (15 gage)	0.0625 (16 gage)
70.....	125.....	0.0800 (14 gage)	0.0720 (15 gage)	0.0800 (14 gage)	0.0720 (15 gage)
125.....	175.....	0.0915 (13 gage)	0.0800 (14 gage)	0.0915 (13 gage)	0.0800 (14 gage)
175.....	250.....	0.0915 (13 gage)	0.0915 (13 gage)	0.0915 (13 gage)	0.0915 (13 gage)
250.....	400.....	0.1055 (12 gage)	0.0990 (12-1/2 gage)	0.0915 (13 gage)	0.0915 (13 gage)
400.....	1,000.....	0.1055 (12 gage)	0.0990 (12-1/2 gage)

Table 3-11. Minimum sizes of flat metal bands for various weights of boxes.

Net weight of contents		Dimensions of flat metal bands when different numbers of bands are used	
Exceeding	Not exceeding	Two bands	Three or more bands
.....	70.....	3/8 by 0.015.....	3/8 by 0.015
70.....	125.....	3/8 by 0.020.....	3/8 by 0.020
125.....	175.....	1/2 by 0.020.....	1/2 by 0.020
175.....	250.....	5/8 by 0.020.....	5/8 by 0.020
250.....	400.....	3/4 by 0.020.....	3/4 by 0.020
400.....	1,000.....	3/4 by 0.023

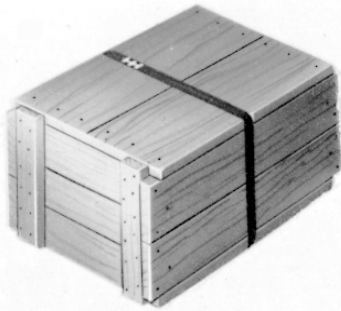
Additional straps are placed girthwise so that the distance between straps does not exceed 24 inches.

Small boxes less than 12 inches long and having less than 35 pounds of contents require only one girthwise strap. The single girthwise strap may be 16 gage round wire, or 3/8 X 0.010-inch flat strap.

When the outside length of unreinforced style 2, 2 1/2, 4, 4 1/2, 5 and shallow boxes exceeds 36 inches, three or more straps will be applied girthwise so that the distance between straps is not more than 24 inches.

Workmanship

Throughout the fabrication, setting up, nailing, and strapping of nailed wood boxes, good workmanship should be practiced at all times. Figure 3-17 shows some of the defects which must be avoided.

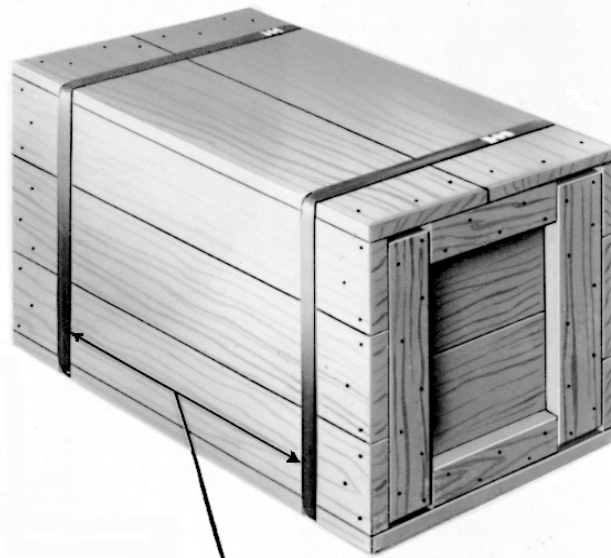


WEIGHT 35 LBS. OR LESS
LENGTH 12 IN. OR LESS
SEE NOTE.

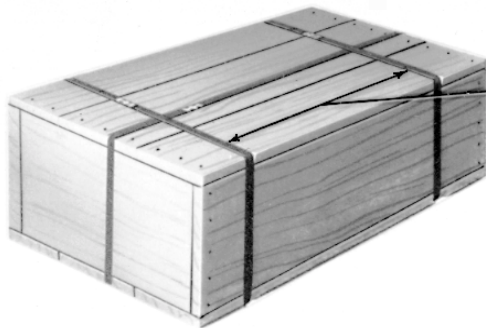
GIRTHWISE STRAPPING

ALL STYLES EXCEPT 1 AND 6
3 REQUIRED WHEN WEIGHT
EXCEEDS 400 LBS.
PLACE 1/6th LENGTH OF BOX
FROM EACH END NOT TO EXCEED
9 IN.
SEE NOTE.

NOTE:
STRAP CLASS 1
BOXES WHEN
UNDER 100 LBS.
ONLY WHEN
SPECIFIED



STYLES 1 AND 6
BOXES, ONE LENGTHWISE
STRAP PRIOR TO TWO
GIRTHWISE STRAPS



NOT TO EXCEED 24 IN.

SMPT 686A

Figure 3-16. Strapping of nailed wood boxes.

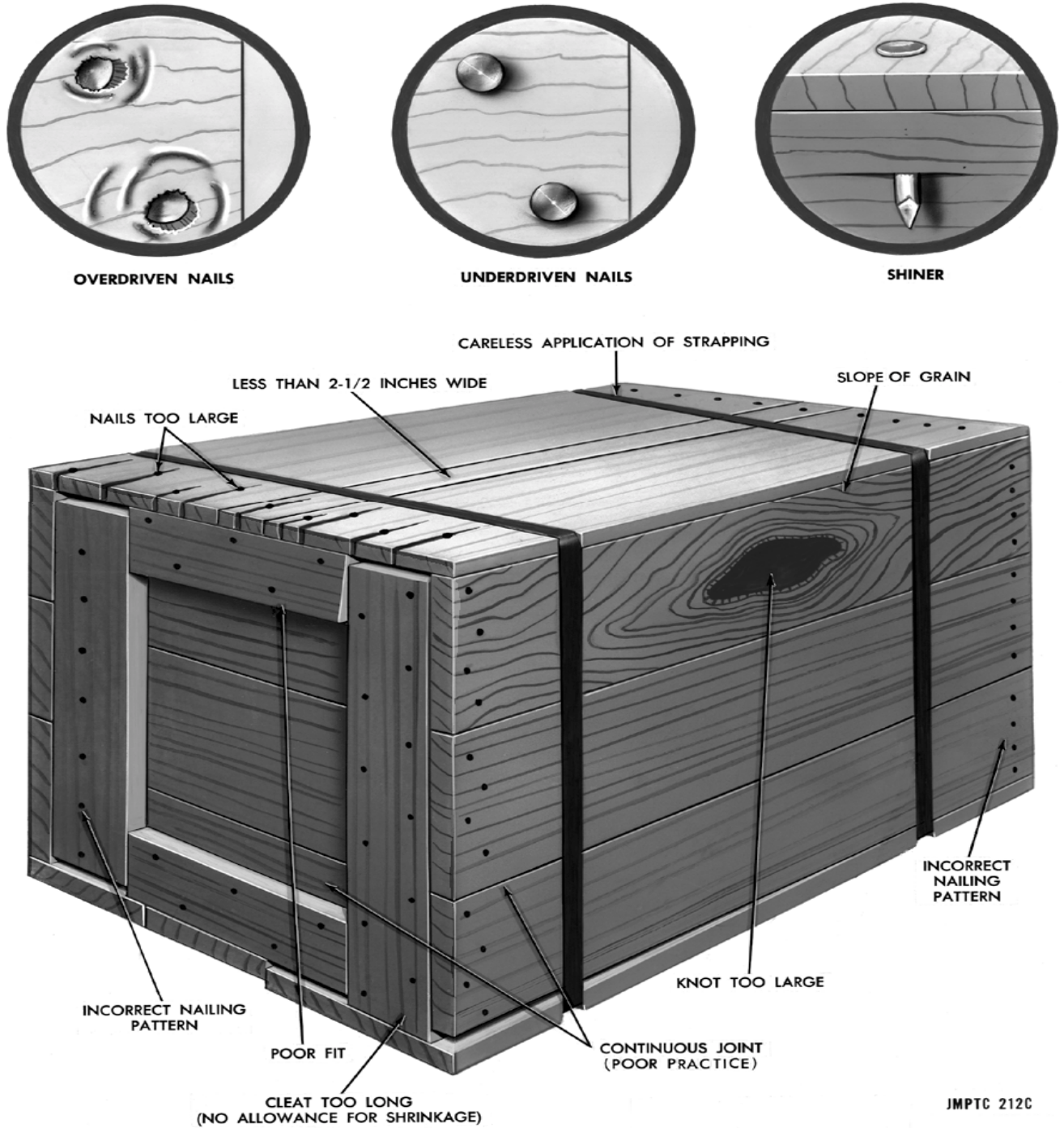


Figure 3-17. Defects of nailed wood boxes.

Preservation

When specified, each PPP-B-621 box or all of the finished wood parts shall be preserved by immersing for a minimum of one minute in one of the following wood preservative solutions: 2 percent copper Maphthenate, 3 percent zinc naphthenate, or 1.8 percent copper-8-quinolinolate. These three chemicals exhibit characteristics which are acceptable for DOD-wide use provided handling instructions prescribed by the manufacturer are followed. After the dip treatment, the boxes or wood parts must be air dried (or dried for an appropriate time in a kiln or oven) for a period of 24 hours minimum in a well-ventilated area allowing full air circulation around all surfaces of the individual wood box or wood part. The boxes or parts must be dried prior to shipment. Dryness can be determined by the absence of discoloration of the red oil soluble dye when tested as specified in PPP-B-621.

CLEATED-PANEL BOXES (GENERAL)**DESCRIPTION**

Cleated-panel boxes are made by attaching wood cleats to sheets of plywood, fiberboard, or paper-overlaid veneer to form panels that are later fastened together at the cleats to form a container. When plywood is used as panel material, they are called wood-cleated plywood boxes, specification PPP-B-601; when fiberboard is used, they are called wood-cleated fiberboard boxes, specification PPP-B-576; and when paper-overlaid veneer is used, they are called wood-cleated, paper-overlaid veneer boxes. In each type of box, the cleats act to reinforce the edges and to aid in nailing.

CHARACTERISTICS

The chief characteristics of cleated-panel boxes are: Lightweight, high resistance to diagonal distortion, resistance to corner damage, and ability to withstand severe tumbling and dropping. They are easy to mark and handle, almost dustproof, and lend themselves to easy fabrication. Panels may be bought in large quantities in the knocked-down form, which can be easily stored in a minimum of space. These boxes afford three choices of cleated panel boxes for use in the shipping of military supplies and equipment. Selection of the panel material for the box is based upon the destination of the shipment, the minimum protection required, the weight of the item, and the container limitations.

Intended Uses and Limitations

The styles of boxes permitted for domestic and oversea shipments, with limitations for cleated plywood, cleated fiberboard, and cleated paper overlaid veneer boxes are cited in table 3-12.

Oversea Type Boxes (see figure 3-18)

Styles A and B are the only ones permitted, for cleated fiberboard and veneer. Cleated plywood boxes permit Styles A, B, I, and J. Plywood and paper-overlaid boxes will take all three types of loads. Cleated fiberboard boxes will take Type 1 and 2 loads only. Style A lends itself to ease of assembly and opening. Style B has greater strength, but is more difficult to open. The designs of these boxes and their load limit for oversea shipments are given in the respective container specifications.

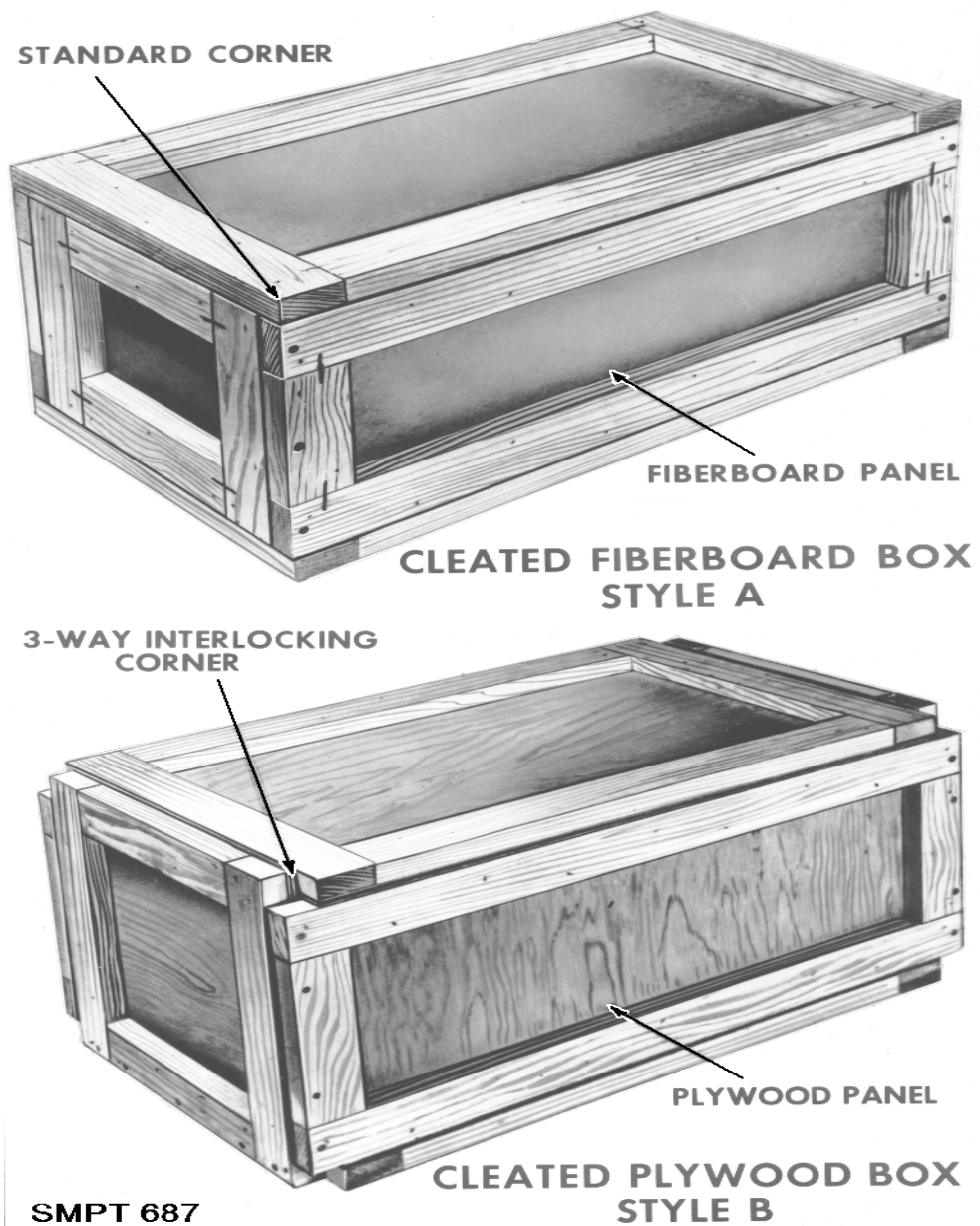


Figure 3-18. Oversea styles of cleated panel boxes.

Domestic Type Boxes (see figure 3-19)

Domestic boxes are intended for normal use when the additional strength of the oversea type is not required. The selection of the style depends largely on the nature and weight of the item, and how it is to be supported. Styles B, D, E, and G have 3-way corners and are satisfactory if the boxes are not to be opened for inspection and reclosed. If the boxes are to be opened and reclosed, Style A and K are preferred. The full-cleated Styles A and B are the strongest and most suitable for heavy items, if the weight can be applied over the entire area of any face. Styles A and B require only one size of nails for assembling the box, whereas, two sizes of nails are required for Styles C and K, inclusive. Paper-overlaid veneer boxes are only available in Styles A and B for domestic shipment. All three types of loads are permitted.

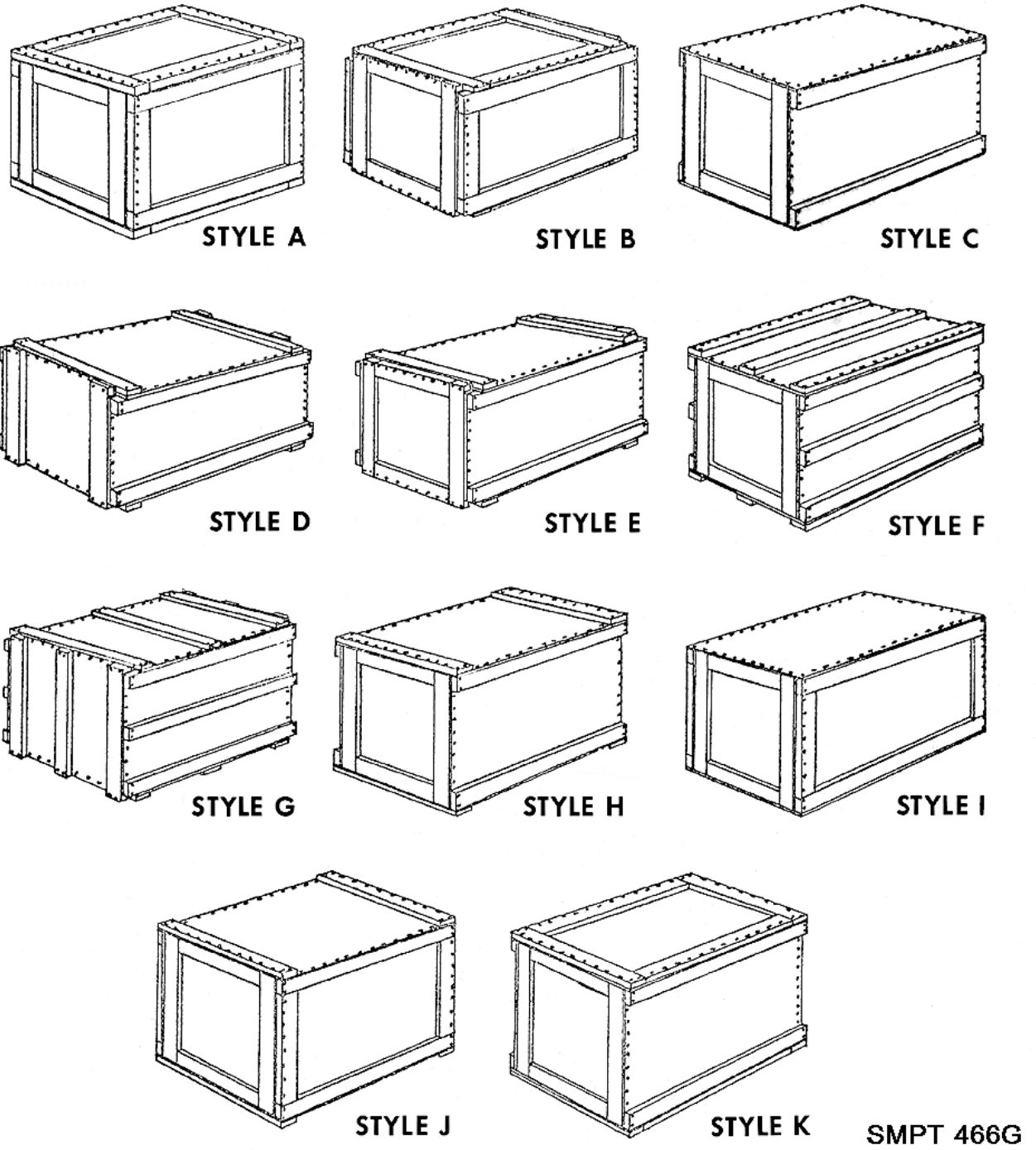


Figure 3-19. Styles of cleated panel boxes.

Table 3-12. Comparison of cleated panel boxes.

Items of comparison	Cleated plywood (PPP-B-601)	Paper overlaid veneer (PPP-B-576)
Styles.....	A, B, I and J.....	A and B
Class of use.....	domestic and overseas.....	1 and 2
Styles, oversea.....	A, B, I and J.....	A and B
Styles, domestic.....	A, B, I and J.....	A and B
Weight limit vs. styles Oversea.....	A, B, I and J 1,000#.....	A and B - 350#
Domestic.....	A, B, I and J 1,000#.....	A and B - 400#
Types of loads vs. weight..	1, 2 and 3.....	Type 1 - 2 Domestic 400# Type 3 - Domestic 300# Type 1 - 2 Overseas 350# Type 3 - Overseas 250#
Unsupported span for intermediate cleats, maximum	Type 1 and 2 loads - 24"..... Type 3 load - 20".....	Type 3 load, Class 2 use - 20" All other - 24"
Size limit Oversea.....	No size limit.....	No size limit
Domestic.....	No size limit.....	No size limit
Strapping Styles A and B.....	2 lengthwise straps, and strap over all intermediate cleats, except cleats located on ends of plywood containers	All class 2 boxes and Class 1 when over 150#
Styles C thru K.....	Consult Appendix of Specification	
Staples.....	4" maximum from corners, approximately 6" apart thereafter (except over bands on bottom of box for plywood)	

Table 3-13. Plywood PS-1 and PS-51, commercial standards.

Box type	PS-51	PS-1
Domestic.....	Type III, grade 3-4 veneers.....	C-D
Overseas.....	Type I, grade 3-4 veneers.....	C-D, with exterior

¹Plywood is furnished unsanded. If smooth finish or snaded panels are required, appropriated sanded grades should be specified in the contract or order.

²End grain butt joints shall be prohibited for grade 4 veneers.

CLEATED PLYWOOD BOXES (PPP-B-601)

CONSTRUCTION OF PANELS

Plywood will conform to the minimum commercial standard grades in table 3-13. Plywood for domestic boxes will conform to HPMA-HP 1983, Type III, Grade 3-4, and PS-1, standard interior. Plywood for oversea boxes will conform to HPMA-AP 1983, Type I, Grade 3-4, and PS-1, standard interior with exterior glue (see tables 3-14, 3-15). If it is known that the boxes will not be exposed to the weather during storage and handling to its final oversea destination, plywood as specified for domestic type boxes should be specified. Cleated-plywood boxes are classified as Grade A, with preservative treatment, and Grade B, without preservative treatment. Plywood and cleats for Grade A boxes shall be treated with water-repellant preservative conforming to the following: 2% copper Maphthenate, 3% zinc naphthenate, and 1.8% copper-8-quinolate. Treated boxes shall be dried before shipment. Shipments of subsistence and clothing shall not be made in boxes fabricated from toxic treated plywood. If smooth finish for sanded panels are required, appropriate sanded grades should be specified. The minimum thickness of the plywood and size of cleats should be as shown in tables 3-14 or 3-15, as applicable. The plywood is attached to the cleats in the following manner:

Arrange the Cleats

Each panel for styles A and B will have two through cleats and filler cleats. Position the through cleats opposite each other at the edges of the panel material; then position the filler cleats between the through cleats at the edges. Style A and B boxes may have the top panel modified. When specified, style A shall have edge cleats and filler edge cleats placed on the underside of the top panel (fig 3-20). Style B boxes are modified by providing through edge cleats only on the underside of the panel. These underside cleats shall be of the same width and thickness as the outer cleats.

Table 3-14. Domestic type, requirements for cleats and plywood (PPP-B-601).

Style of box	Weight of contents		Minimum thickness of plywood		Size of cleats ¹	
	Exceeding	Not exceeding	PS-1 (see table 3-13) ²	HPMA-HP 1983 (see table 3-13) ³	Thickness	Width
					All Wood groups (incl)	All Wood groups (Incl)
	Pounds	Pounds	Inch	Inch	Inch	Inches
A, B, I and J	0	75	5/16 ^{4 6}	1/8	3/4	1-3/8
A, B, I and J	75	150	5/16 ^{4 6}	1/8	3/4	1-3/4
A, B, I and J	150	300	5/16 ^{4 6}	3/16 ⁴	3/4	1-3/4
A, B, I and J	300	500	5/16 ⁶	3/16	3/4	1-3/4
A, B, I and J	500	800	5/16	1/4	3/4	2-1/4
A, B, I and J	800	1000	3/8	5/16	3/4	2-5/8

¹At no place shall the actual thickness be less than the required thickness, minus 1/16 inch, nor the actual width be less than the required width, minus 1/4 inch.

²Alternatively low density wood plywood conforming to HPMA-HP 1983 (table 3-13) may be used.

³Low density wood plywood conforming to HPMA-HP 1983 (table 3-13) shall not be used.

⁴3/30 minimum inch thick plywood conforming to type III, grade 4 of HPMA-HP 1983 may be used in place of the 5/16 inch (3/20 thick plywood is not standard thickness in HPMA-HP 1983).

⁵Except that commercial tolerance shall apply.

⁶At the option of the supplier, 1/14-inch sanded plywood may be furnished.

Table 3-15. Overseas type, requirements for cleats and plywood (PPP-B-601).

Weight of contents		Minimum thickness of plywood ⁶								Sizes of edge cleats for all groups ¹	
Exceeding	Not exceeding	Types 1 and 2 loads				Type 3 load				Thickness	Width
		PS-1 (see table 3-13) ²		HPMA-HP 1983 (see table 3-13) ³		PS-1 (see table 3-13) ²		HPMA-HP 1983 (see table 3-13) ³			
		Style		Style		Style		Style			
		A&B	I and J ⁴	A&B	I and J ⁴	A&B	I and J ^{4 7}	A&B	I and J ⁴⁷		
Pounds	Pounds	Inch	Inch	Inch	Inch	Inch	Inch	Inch	Inch	Inch	Inch
0	100	5/16 ⁸	3/8	3/16 ⁵	5/16	5/16 ⁸	3/8	3/16 ⁵	5/16	3/4	1-3/4
100	200	5/16 ⁸	3/8	3/16 ⁵	5/16	5/16 ⁸	3/8	3/16	5/16	3/4	1-3/4
200	300	5/16 ⁸	1/2	3/16	3/8	5/16	1/2	1/4	3/8	3/4	1-3/4
300	400	5/16 ⁸	1/2	3/16	3/8	5/16	1/2	1/4	3/8	3/4	1-3/4
400	500	5/16 ⁸	1/2	3/16	3/8	5/16	5/8	1/4	1/2	3/4	2-1/4
500	600	5/16	1/2	1/4	3/8	5/16	5/8	1/4	1/2	3/4	2-5/8
600	800	3/8	5/8	5/16	1/2	3/8	5/8	5/16	5/8	3/4	3-1/4
800	1000	3/8	5/8	5/16	1/2	1/2	5/8	3/8	5/8	3/4	3-1/4

¹At no place shall the actual thickness be less than the required thickness, minimum 1/16 inch, not the actual width be less than the required width, minus 1/4 inch.

²Alternatively low density wood plywood conforming to HPMA-HP 1983 (table 3-13) may be used.

³Low density wood plywood conforming to HPMA-HP 1983 (table 3-13) shall not be used.

⁴Top and bottom panels of I and J boxes only, all other panels as specified for styles A and B.

⁵Minimum 3/20 inch thick plywood conforming to type I, grade 4 of HPMA-HP 1983 may be used in place of the 3/16 inch thick plywood. (3/20 inch thick plywood is not a standard thickness in HPMA-HP 1983).

⁶Except that commercial tolerance shall apply.

⁷The maximum weight of contents for Air Force shipments for style I and shall be 150 lbs.

⁸At the option of the supplier, 1/4 inch sanded plywood may be furnished.

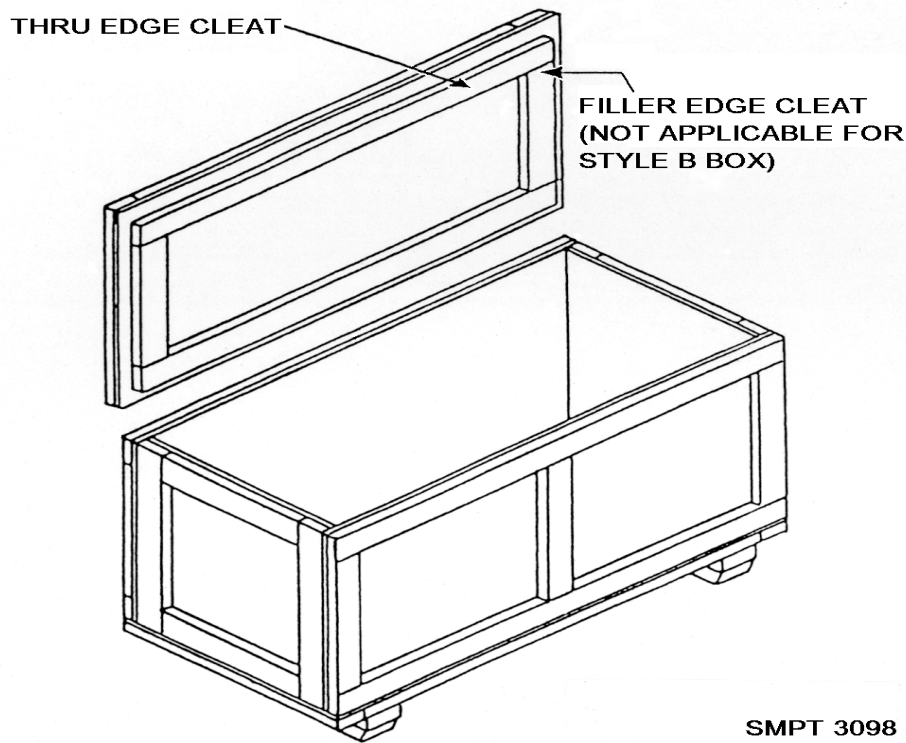


Figure 3-20. Top panel modification of unnailed closure, PPP-B-601, style A box.

Unless otherwise specified filler edge cleats shall be either the same length as the distance between the through edge cleats or approximately one-eighth inch shorter.

Filler edge cleats on top and bottom panels, except on top only when the box is provided with skids, shall be either the same length as the distance between the through edge cleats or approximately one-fourth inch shorter for oversea type boxes.

When the filler cleats are the same length as the distance between through edge cleats, each end shall be either cut at an angle or notched to provide a drainage area between the filler cleat and the plywood of approximately one-fourth inch by one-fourth inch. Drainage areas are not applicable on the underside cleats of the top panels of the unnailed closure Style A box.

Each cleat shall be a single unjointed piece.

Fasten the panel material to the cleats (fig 3-21).

Nails, staples, wire stitches, or other fasteners positioned lengthwise of a cleat are staggered in two parallel rows, approximately three-eighths inch from the edge of the cleat.

The distance between the nearest edge of a fastener and the edge of a cleat shall not be less than three-eighths of an inch and not closer than three-fourths of an inch nor more than 1 inch from the end of the cleat.

Space the nails not more than 6 inches apart lengthwise in each row. Usually, nail or staple through the plywood and then cleat and clinch. Reversal of this sequence is permitted only for nails.

Construction of Plywood Joints

In the construction of large cleated plywood boxes, it frequently becomes necessary to join sheets of panel material. Bottom panels of boxes not exceeding 72 inches in length or 48 inches in width, and top and bottom panels of Style I boxes shall consist of a single piece of plywood. All other panels shall consist of one or two pieces of plywood joined by either a lap or butt joint (see fig 3-22) as specified below. Each piece of plywood in two-piece panels shall be not less than 24 inches in length or width. Plywood joints in adjacent panels should not be closer than 12 inches of being in line.

Lap Joint

Overlap two pieces of panel material at least 3 inches. Fasten the sheet together with metal stitches through the overlap and clinch. Use not less than two parallel rows of stitches. Space stitches not less than 2 inches apart. The average spacing of stitches in each row must not exceed 4 inches. The maximum thickness of plywood to be used for this type of joint shall be 3/16 inch.

Butt Joint

Butt two pieces of plywood at the midwidth of a joint cleat. Fasten each piece of plywood to the joint cleat. The thickness of a joint cleat will be the same as an edge cleat. The width of a joint cleat for a domestic box will be no less than 2 1/4 inches. If the edge cleat is more than 2 1/4 inches wide, the joint cleat will be of the same width. For oversea type boxes, the joint cleat will be not less

than 1 1/3 times the required width of the edge cleats or never less than 2 1/4 inches.

Determine the Requirements

Additional wood cleats, of the same width and thickness as the edge cleat, are applied to an unframed area which exceeds 24 inches in any dimension or 20 inches for oversea type boxes with Type 3 loads. Additional cleats are applied to any face of a box having a load concentration near the center of the unframed area.

Fasten the Cleats

Apply cleats perpendicular to the greater of the two dimensions between edge cleats. Space and drive fastenings in the same manner as for edge cleats.

ASSEMBLY OF BOXES

Style A (Oversea)

Assembly Of The Panels

Arrange the panels so that one through cleat and one filler cleat forms each edge of the box. Arrange the cleats to form a standard box corner (fig 3-18). Arrange the top and bottom panels to overlap the sides and ends.

Nailing the Panels Together

Nail all panels to each other by single line nailing. Use either mechanically deformed, cement coated or chemically-etched nails. Space the nails in accordance with the type of load and the thickness of cleats (tables 3-16 and 17).

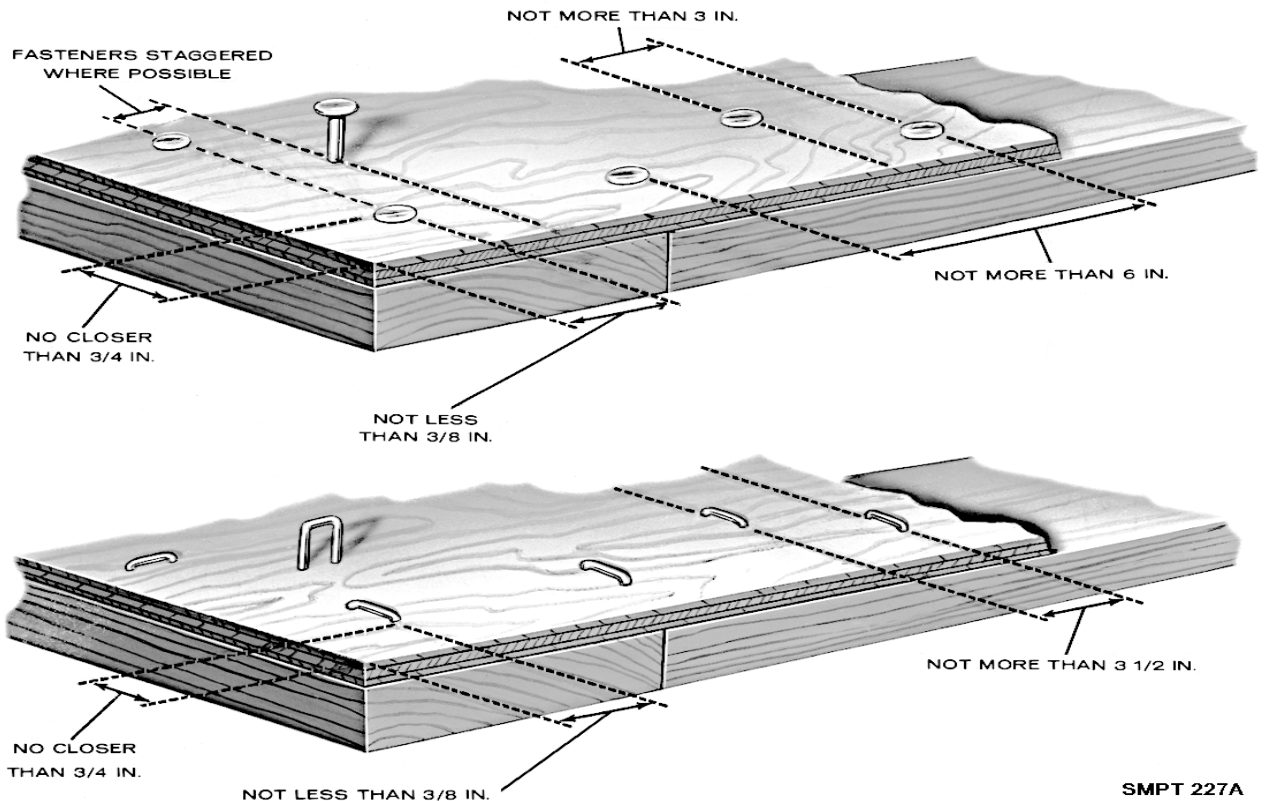


Figure 3-21. Spacing of fasteners.

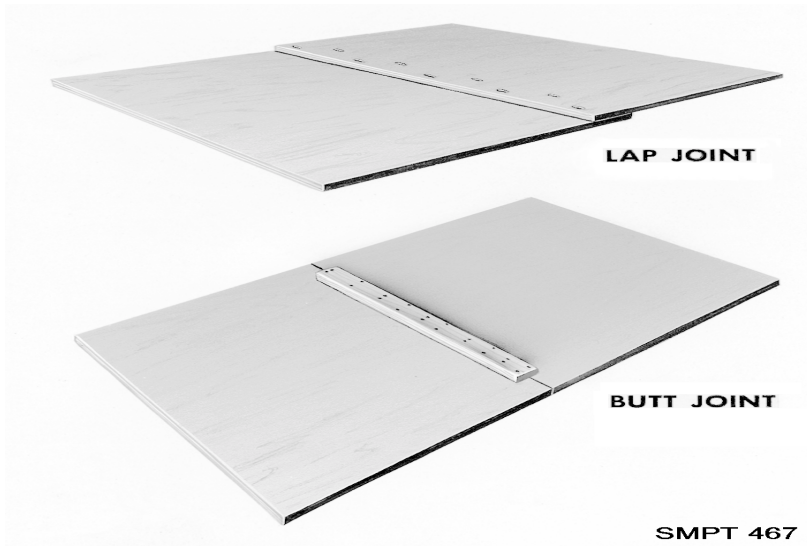


Figure 3-22. Acceptable plywood joints.

Table 3-16. Domestic type, sizes and spacing of nails for fastening together adjacent cleated panels.

Cleats Thickness	Maximum spacing of nails all wood groups		Size of nails for wood groups ¹			
	Types 1 and 2 loads	Type 3 load	I	II	III	IV
<i>Inch 3/4</i>	<i>Inches 5</i>	<i>Inches 4</i>	Penny 7	Penny 7	Penny 7	Penny 6

¹If the nail protrudes through the last edge cleat or splits cleat, then the next smaller size penny nail shall be used.

Table 3-17. Oversea type, sizes and spacing of nails for fastening together adjacent cleated panels.

Cleats, thickness (Inch)	Maximum spacing of nails, all wood groups		Size of nails for wood groups ¹			
	Types 1 and 2 loads	Type 3 load	I	II	III	IV
<i>3/4.....</i>	<i>Inches 5</i>	<i>Inches 4</i>	<i>Penny 9</i>	<i>Penny 8</i>	<i>Penny 7</i>	<i>Penny 6</i>

¹If the nail protrudes through the last edge cleat or if it splits the cleat, then the next smaller size penny nail shall be used.

Table 3-18. Diameter of round wire strapping.

Weight of contents	Diameter of wire when different numbers of wire are used									
	2 wires					3 or more wires				
	100,000 pounds per square inch tensile strength	inch	140,000 pounds per square inch tensile strength	inch	100,000 pounds per square inch tensile strength	inch	100,000 pounds per square inch tensile strength	inch		
Pounds	Inch	Inch	Inch	Inch	Inch	Inch	Inch	Inch	Inch	Inch
Up to 70, incl.....	0.0720 (15 gage)	0.0720 (15 gage)	0.0720 (15 gage)	0.0720 (15 gage)	0.0720 (15 gage)	0.0720 (15 gage)	0.0720 (15 gage)	0.0720 (15 gage)	0.0720 (15 gage)	0.0720 (15 gage)
71 to 125, incl.....	0.0800 (14 gage)	0.0720 (15 gage)	0.0720 (15 gage)	0.0720 (15 gage)	0.0800 (14 gage)	0.0800 (14 gage)	0.0720 (15 gage)	0.0720 (15 gage)	0.0720 (15 gage)	0.0720 (15 gage)
126 to 175, incl.....	0.0915 (13 gage)	0.0800 (15 gage)	0.0800 (15 gage)	0.0800 (15 gage)	0.0915 (13 gage)	0.0915 (13 gage)	0.0800 (14 gage)	0.0800 (14 gage)	0.0800 (14 gage)	0.0800 (14 gage)
176 to 250, incl.....	0.0915 (13 gage)	0.0915 (13 gage)	0.0915 (13 gage)	0.0915 (13 gage)	0.0915 (13 gage)	0.0915 (13 gage)	0.0915 (13 gage)	0.0915 (13 gage)	0.0915 (13 gage)	0.0915 (13 gage)
251 to 400, incl.....	0.0915 (13 gage)	0.0915 (13 gage)	0.0915 (13 gage)	0.0915 (13 gage)	0.0915 (13 gage)	0.0915 (13 gage)
401 to 1,000, incl....	0.1055 (12 gage)	0.1055 (12 gage)	0.0990 (12-1/2 gage)	0.0990 (12-1/2 gage)	0.0990 (12-1/2 gage)	0.0990 (12-1/2 gage)

Table 3-19. Size of flat metal bands

Weight of contents not exceeding	Dimension of flat metal bands when different numbers of bands are used	
	2 bands	3 or more bands
<i>Pounds</i>	<i>Inch</i>	<i>Inch</i>
Up to 70, incl.....	3/8 by 0.020	3/8 to 0.020
71 to 125, incl.....	3/8 by .020	3/8 by .202
126 to 175, incl.....	1/2 by .020	1/2 by .020
176 to 250, incl.....	5/8 by .020	5/8 by .020
251 to 400, incl.....		3/4 by .020
401 to 1000, incl.....		3/4 by .023

Table 3-20. Size of type III, twist-tied flat metal strapping

Weight of contents not exceeding	Dimensions when different numbers of bands are used	
	2 straps	3 or more straps
<i>Pounds</i>	<i>Inch</i>	<i>Inch</i>
70	0.140 by 0.031	0.138 by 0.025

Style B (oversea)

Assembly of the Panels

Arrange the panels so that one through cleat and one filler cleat forms each edge of the box. Arrange the cleats to form a 3-way interlocking corner (see fig 3-18). Arrange the top and bottom to overlap the sides; then arrange the ends to overlap the top and bottom and, finally, arrange the sides to overlap the ends.

Nailing the Panels Together

Nail each through cleat to two other through cleats at the corner with nails driven at right angles to each other. Nail the panels to each other by single line nailing. Use either mechanically deformed, cement-coated, or chemically-etched nails. Space the nails in accordance with the type of load and the thickness of the cleats (table 3-16 and 3-17).

Styles A, B, I and J (Domestic)

Four styles are available for domestic use; Styles A, B, I and J, depending on the cleat arrangement. A study of figure 3-19 shows the cleat arrangement for each style. For Styles I and J the plywood along each uncleated edge is fastened to the cleat on the adjacent panel by nails passing through the plywood and into the cleat. Nails shall not be less than 1 inch longer than the thickness of the plywood through which they pass for domestic type and 1 3/8 inches for oversea types and their spacing shall not exceed 3 inches.

Application of Skids

Unless otherwise specified, boxes with items packed therein, having a gross weight in excess of 200 pounds or length and width dimensions of 48 inches by 24 inches or more, and gross weight of 100 pounds or over, shall be provided with a minimum of two skids. The skids shall be minimum of 2 1/2 inches high and 3 1/2 inches wide. When 4-way fork entry is required, skids shall be nominal 4-by-4-inch, placed lengthwise not less than 1 1/2 inches nor more than 2 1/2 inches from the container sides and cut out a minimum of 2 inches in depth and of such width as to accommodate forks and slings for handling. Each skid shall be notched sufficiently to provide clearance for strapping. The skids shall be placed parallel to, and extend the full width of the box (the shorter of the two horizontal dimensions), and shall be set not less than 2 1/2 inches nor more than 1/6 the box length from each end. The distance between skids, measured between the inside edges, shall not exceed 48 inches. Filler cleats of the same thickness as the end cleats of the bottom panel and not less than the width of the skids shall be provided between each skid and the bottom panel of the shipping container. Additional skid(s), as required, shall be positioned so as to divide the area between the end skids into units of equal lengths. When boltholes are provided in the item, additional skids if needed shall be located so as to enable the item to be bolted to the skids. The skids shall be secured to the box by nails. The nails shall be driven through the bottom panel, the filler cleats, and the skids, and shall penetrate a minimum of three-fourths the skid, thickness. The nails shall be pallet nails having mechanically deformed shanks conforming to ASTM F 1667-95. These nails shall not protrude through the bottom surface of the skid. The nails shall be arranged in two rows in a staggered pattern, with spacing between nails in each row to be not more than 6 inches. Each row of nails shall be approximately one-half inch in from the edge of the skid and the nailing pattern shall begin and end approximately 1 1/2 inches in from the end of each skid and shall not be nailed through the strap notch.

Closure

The top panel shall be positioned and nailed. The size and spacing of nails shall be shown in tables 3-16 and 3-17. Drive nails straight to prevent them from protruding.

Strapping Requirements

Strapping requirements are found in the appendix to PPP-B-601. The sizes of round wire and flat metal straps are found in table 3-18, 3-19 and 3-20. Styles A or B boxes that have modified tops will be closed with flat steel strapping. Other means are prohibited.

Styles A, B, I and J (Oversea)

Strap Styles A, B, I and J, unless otherwise specified (see figure 3-23). On Styles A and B, apply two lengthwise straps on the edge cleats over the ends, top, and bottom. On Styles I and J, apply two lengthwise straps on the edge cleats over the ends and sides. Place a girthwise strap over intermediate

cleats, when required, on the sides, top and bottom (fig 3-24). Draw strapping tightly so as to sink into the edges of the cleats. Fasten strapping to the cleats with staples spaced approximately 6 inches apart, and within 4 inches from the edge of the box over which the strap passes (except over bands on the bottom of the box and bands applied over filler cleats on the top). Staples shall be applied just prior to shipment where practicable. Strapping used for unnailed closure boxes shall not be stapled. Alternately, each lengthwise and girthwise strap may be replaced by four corner straps each 8 inches long and secured to the box with three staples on each leg pneumatically driven through the strap into the cleat. However, corner straps shall not be used on unnailed closure boxes. Exercise care in strapping domestic styles so that the straps do not pass over voids between cleats and thus become susceptible to snagging.

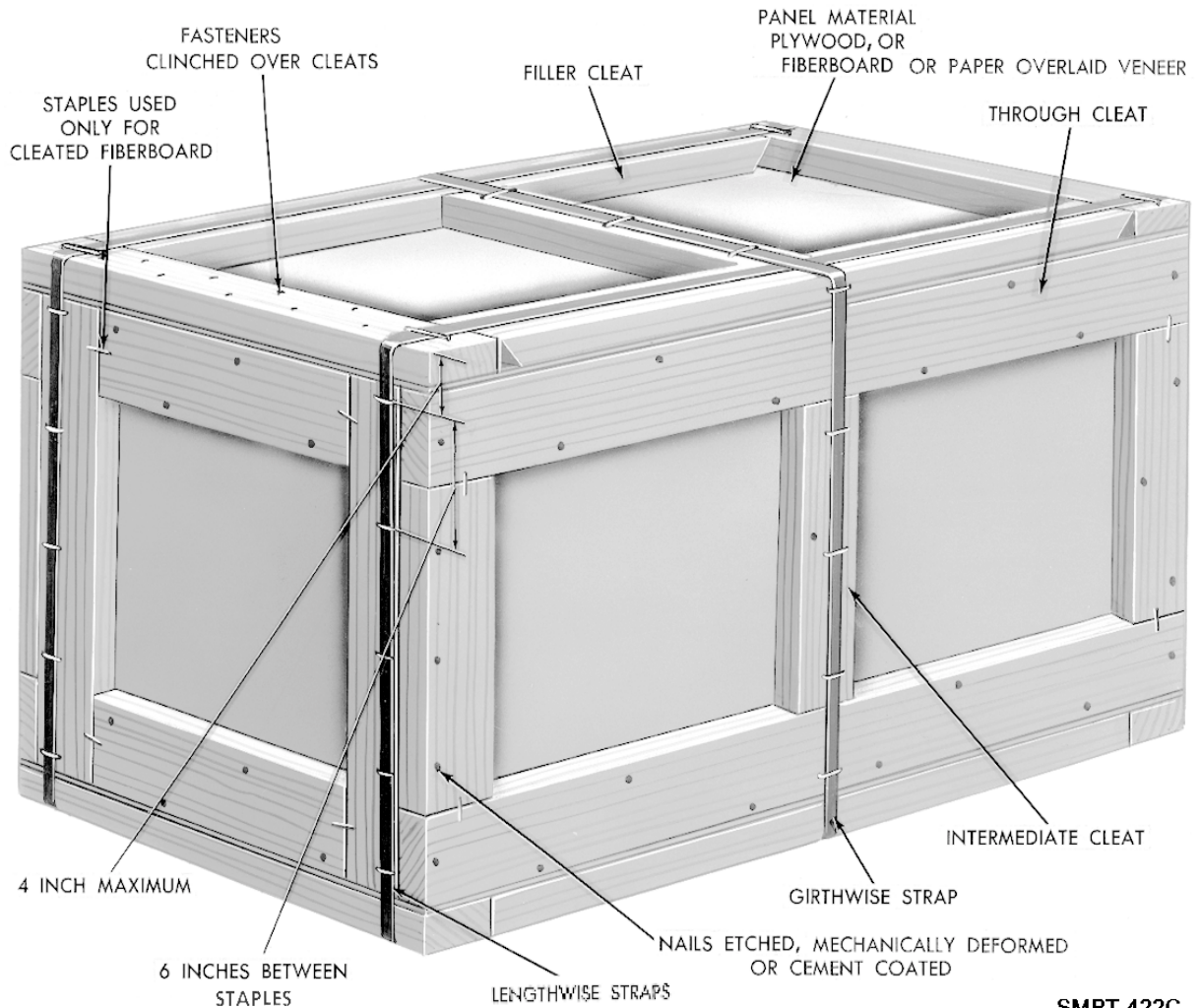


Figure 3-23. Strapping of cleated panel boxes.

Styles A, B, I and J (Domestic)

Strap domestic styles only where specified. Strap in accordance to the appendix to PPP-B-601.

Dimensions

Dimensions shall be given in the sequence of length, width and depth of the inside measurements. The first two dimensions will be the open face of the box. A tolerance of plus or minus 1/8 inch is permitted in the dimensions.

BOXES, WOOD-CLEATED PANELBOARD

Wood-cleated panelboard boxes are intended for use as containers for domestic and overseas equipment of general materials and supplies, not exceeding 500 pounds for domestic or 400 pounds for overseas shipments.

Wood-cleated, water-overlaid veneer boxes take all three types of loads to a maximum weight of 500 pounds for domestic use (class 1 boxes), and 400 pounds for oversea used (Class 2 boxes), in accordance with PPP-B-576. Styles A and B only are authorized for both domestic and oversea shipments. Tables 3-21 and 3-22 contain the requirements for the paper-overlaid veneer panelboard and the cleats for class 1 and 2 boxes, respectively, according to the weight of contents.

Skids are attached to the bottom of boxes having a gross weight of more than 200 pounds, or when the length and width dimensions are 48 inches by 24 inches or over and the gross weight is 100 pounds or over. The skids shall be a minimum of 2 1/2 inches high and 3 1/2 inches wide and may be fabricated from more than one piece of lumber to make up the required height. The skids shall be set not less than 2 1/2 inches not more than 4 inches in from each end. Filler cleats of the same thickness as the edge cleats and the same width as the skids and the bottom panel of the box.

**WOOD-CLEATED, SKIDDED, LOAD-BEARING BASE BOXES
(ASTM D6256)**

These boxes may be used for the shipment of items which can be secured to a load-bearing base. The sides, tops, and ends are of cleated panel construction. Panels may be plywood, fiberboard, or paper-overlaid veneer and comply with the applicable requirements of PPP-B-601 and PPP-B-576, respectively. Styles A, B, and C are used for Type I, domestic, and Type II, oversea shipments. The bases are fabricated as Class 1, plywood base, and Class 2, lumber base (see fig 3-25).

INTENDED USE

Boxes covered by ASTM D6256 are intended to be used for items which can be attached to a load-bearing base. It is intended that the entire load be carried on the base. The super-structure (tops, ends, and sides) provides only for superimposed loads and protection against the elements. It is not intended for the box to be lifted or moved other than by the base. The super-structure may be removed when it is not required.

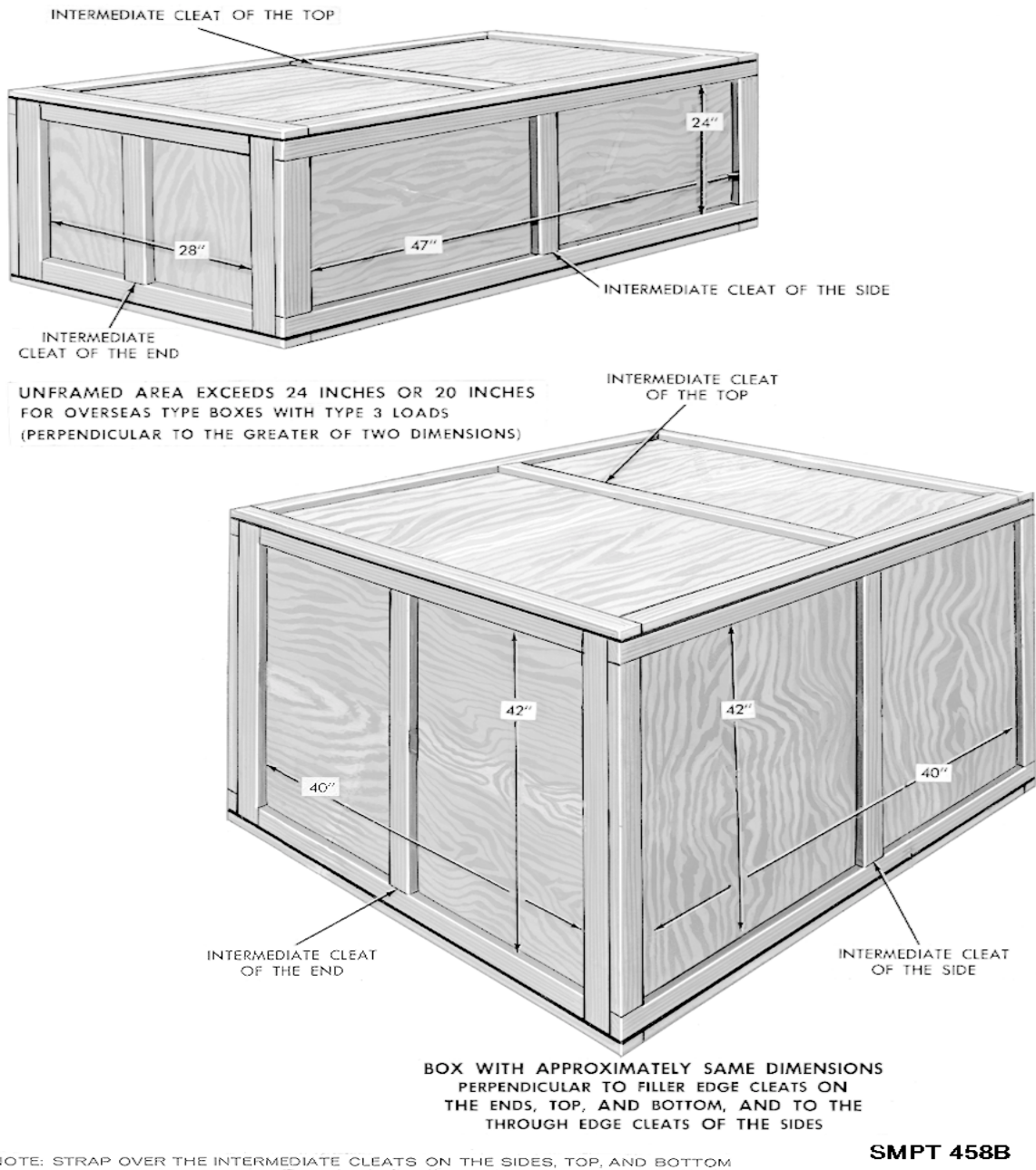
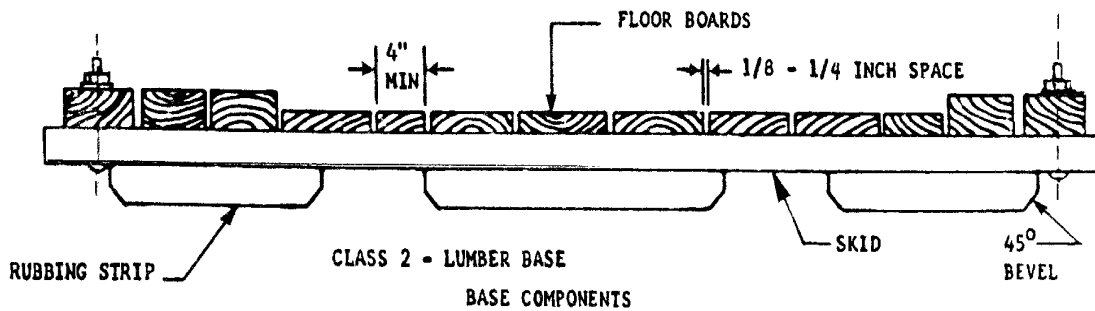
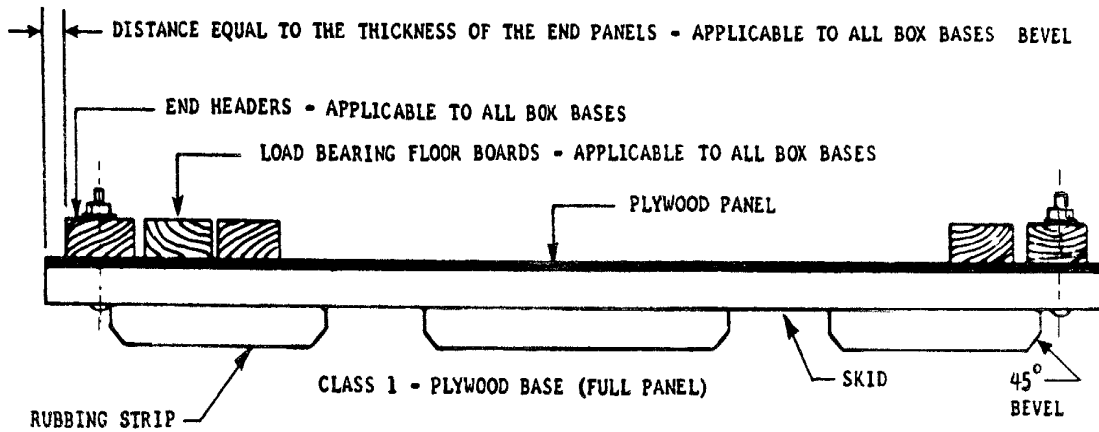
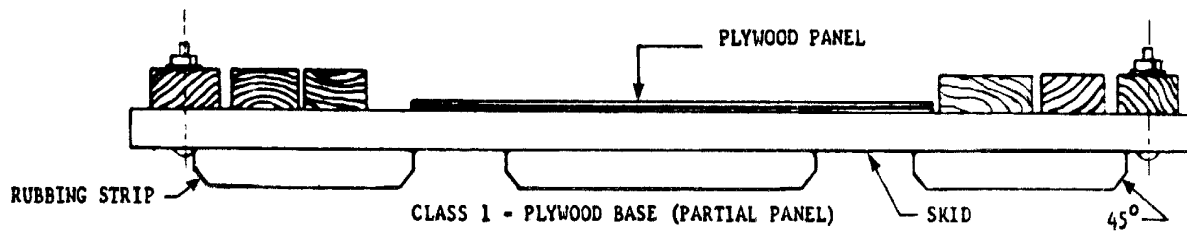


Figure 3-24. Spacing of intermediate cleats.



SMPT 461B

Figure 3-25. Classes 1 and 2 bases for wood-cleated, skidded, load-bearing base boxes, ASTM D6256.

Table 3-21. Class 1 boxes: Requirements for paper overlaid veneer panelboard and cleats

Weight contents		Size of cleats		Paper overlaid veneer panelboard	
Exceeding	Not exceeding	Minimum width	Minimum thickness	Types 1 and 2 loads	Type 3 loads
				Minimum thickness	Minimum thickness
<i>Pounds</i>	<i>Pounds</i>	<i>Inches</i>	<i>Inch</i>	<i>Inch</i>	<i>Inch</i>
0	75	1-3/8	5/8	0.070	0.090
75	150	1-3/4	5/8	0.115	0.140
150	225	1-3/4	3/4	0.115	0.140
225	300	1-3/4	3/4	0.170	0.195
300	400	1-3/4	13/16	0.225	-----

Table 3-22. Class 2 boxes: Requirements for paper overlaid veneer panelboard and cleats

Weight contents		Size of cleats		Paper overlaid veneer panelboard	
Exceeding	Not exceeding	Minimum width	Minimum thickness	Types 1 and 2 loads	Type 3 loads
				Minimum thickness	Minimum thickness
<i>Pounds</i>	<i>Pounds</i>	<i>Inches</i>	<i>Inch</i>	<i>Inch</i>	<i>Inch</i>
0	100	1-3/4	5/8	0.070	0.120
100	250	1-3/4	3/4	0.140	0.180
250	350	1-3/4	13/16	0.225	0.195

Fabrication of Panels

When panels are fabricated locally, they are made according to information contained in table 3-13 and HPMA-HP 1983. Also see PPP-B-601 construction of panels. Even filler cleat tolerance and drainage shall be in accordance with PPP-B-601. Cleat arrangement on top panels is illustrated in figure 3-26. When joists are required for the super-structure to hold superimposed loads, they are selected in accordance with table 3-23. Joist supports are required to be placed beneath each joist (see fig 3-27). The vertical and material supports shall comply with the material requirements for the cleat stock, except that the thickness shall not be less than one inch for container loads up to 1,000 pounds. For loads in excess of 1,000 pounds, the supports shall be not less than 2 inches. The vertical joist supports shall be nailed to the side panels with nails long enough to pass through the clinch of 1/8 inch for Groups II, III, and IV woods and 1/4 inch clinch for Group I woods.

Fabrication of Base Components (see fig 3-24)

Skids

Skids will be made of Group II, III, or IV lumber. The cross section and length of skids are chosen from table 3-28, based upon weight of contents and load conditions, as illustrated in figure 3-27. For boxes whose outside width exceeds 36 inches, a third skid conforming to table 3-28 is added. The third skid is placed equidistant between the outer skids. At the ends of each skid, the lower half is beveled approximately 45 degrees.

Load Bearing Members

Load bearing members will be free of defects which could materially weaken them. They are selected in accordance with table 3-25. The cross section of load bearing members for a particular load is determined either by assuming a total width of such load bearing members and determining the thickness necessary, or by assuming a thickness and determining a total width of load bearing members.

Lumber Flooring

Lumber flooring will be a minimum of 1-inch thick, and not less than 4 inches wide. Lumber is laid at right angles to the skids. The boards are separated one-eighth to one-fourth of an inch to allow for swelling and drainage. The board ends are placed flush with the outer edge of the skids.

Plywood Flooring

Unless otherwise specified, plywood used for Type I boxes shall conform to HPMA-HP 1983, Type II, Grade 3-4, PS1, standard interior. The minimum thickness shall be three-eighths of an inch. See table 3-13. It may be the full length and width of the base, or it may be a centrally located square piece with the length equal to the base width. When a full piece of plywood is used, a drainage hole one-half inch in diameter is placed in each corner of the base. Additional drainage holes are placed every three feet along the side of the base. When load bearing floorboards are placed over plywood panels, at least one drainage hole is placed on each side of the base between the load bearing floorboards.

End Headers

End headers are placed at the ends of the box. Headers are nominal 2 X 4 inches.

Rubbing Strips

When specified, rubbing strips shall be applied under each skid to facilitate forklift handling. They will provide a nominal 3-inch clearance for forklift entry.

Table 3-23. Selection of joists for wood cleated, skidded, load bearing base boxes (joists spaced 24 inches--center to center)

Nominal joist size (Inches)	Outside width of box (Inches)
None required	24
1X4	25-36
2X4	37-60

Table 3-24 . Nominal sizes and maximum lengths of skids for wood cleated,skidded, load bearing base boxes.

Weight of Contents (Pounds)	Load Condition ^{1/}	Nominal Sizes					
		2 X 4	2 X 6	2 X 8	4 X 4	4 X 6	6 X 6
Maximum Length of Skid (Feet)							
0 - 100	A	16	--	--	--	--	--
	B	16	--	--	--	--	--
	C	16	--	--	--	--	--
	D	16	--	--	--	--	--
	E	16	--	--	--	--	--
101 - 200	A	16	--	--	--	--	--
	B	16	--	--	--	--	--
	C	16	--	--	--	--	--
	D	16	--	--	--	--	--
	E	16	--	--	--	--	--
201 - 400	A	11	15	16	--	--	--
	B	13	16	--	--	--	--
	C	8	12	16	--	--	--
	D	10	15	16	--	--	--
	E	13	16	--	--	--	--
401 - 600	A	8	11	14	16	--	--
	B	9	14	16	--	--	--
	C	5	8	11	16	--	--
	D	7	10	14	16	--	--
	E	9	14	16	--	--	--
601 - 800	A	7	9	11	16	--	--
	B	7	10	14	16	--	--
	C	4	6	8	16	--	--
	D	5	8	10	16	--	--
	E	7	10	14	16	--	--
801 - 1000	A	6	8	10	16	--	--
	B	5	8	11	16	--	--
	C	3	5	7	16	--	--
	D	4	6	8	16	--	--
	E	5	8	11	16	--	--
1001 - 1200	A	6	7	8	16	--	--
	B	4	7	9	16	--	--
	C	3	4	5	13	16	--
	D	3	5	7	16	--	--
	E	4	7	9	16	--	--
1201 - 1400	A	5	7	8	14	16	--
	B	5	6	8	16	--	--
	C	0	4	5	11	16	--
	D	3	4	6	14	16	--
	E	5	6	8	16	--	--

^{1/} The load condition is determined by the manner in which the load is applied to the skids (figure 3-27)

Table 3-24 (cont). Nominal sizes and maximum lengths of skids for wood cleated,skidded, load bearing base boxes.

Weight of Contents (Pounds)	Load Condition ^{1/}	Nominal Sizes					
		2 X 4	2 X 6	2 X 8	4 X 4	4 X 6	6 X 6
		Maximum Length of Skid (Feet)					
1401 - 1600	A	5	6	7	13	16	--
	B	3	5	7	16	--	--
	C	0	3	4	18	15	16
	D	3	4	5	12	16	---
	E	3	5	7	16	--	--
1601 - 1800	A	5	6	7	12	16	--
	B	3	5	6	15	16	--
	C	0	3	4	9	14	16
	D	0	3	4	11	16	--
	E	3	5	6	15	16	--
1801 - 2000	A	4	5	6	11	15	16
	B	3	4	5	13	16	--
	C	0	0	3	8	12	16
	D	0	3	4	10	15	16
	E	3	4	5	13	16	--
2001 - 2220	A	4	5	6	10	14	16
	B	0	4	5	12	16	--
	C	0	0	3	7	11	16
	D	0	3	4	9	14	16
	E	0	4	5	12	16	--
2201 - 2400	A	4	5	6	10	13	16
	B	0	3	4	11	16	16
	C	0	0	3	7	10	16
	D	0	0	3	8	13	16
	E	0	3	4	11	16	--
2401 - 2500	A	4	5	6	9	13	16
	B	0	3	4	10	16	--
	C	0	0	3	6	10	16
	D	0	0	3	8	12	16
	E	0	3	4	10	16	--

Table 3-25. Allowable load (pounds) per inch of width of load-bearing floor members

Length between outside skids (inches)	Nominal 1-inch thick boards (lbs per inch)		Nominal 2-inch thick boards (lbs per inch)		Nominal 3-inch thick boards (lbs per inch)	
	Wood Groups		Wood Groups		Wood Groups	
	I or II	III or IV	I or II	III or IV	I or II	III or IV
12	38	46	176	211	459	551
18	26	31	118	142	306	367
24	19	23	88	106	230	276
30	15	18	70	84	183	220
36	13	16	58	70	154	185
42	11	13	52	62	131	157
48	10	12	44	53	115	138
54	9	11	39	47	102	122
60	7	8	35	42	92	110



Figure 3-26. Styles A and B cleat arrangement for wood cleated, skidded, loadbearing base boxes.

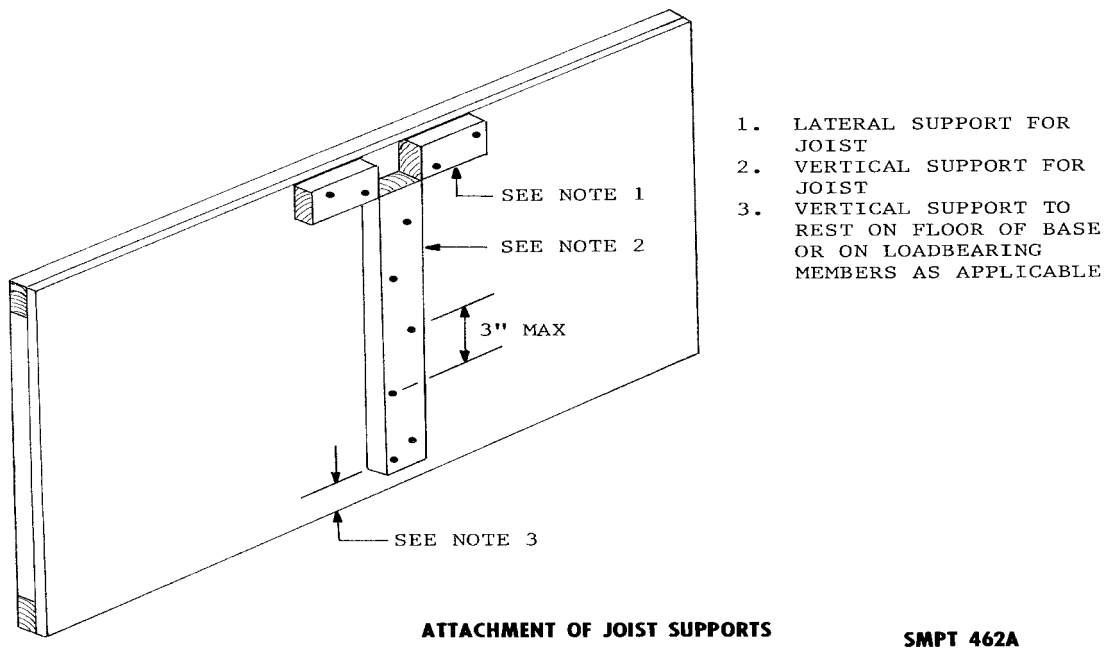


Figure 3-27. Attachment of joist supports for wood cleated, skidded, load bearing base boxes.

Assembly of the Base

Depending upon the weight of the item, load condition, size and length of skids, and whether it is a Class 1 or Class 2 base, the base parts are cut to size for fabrication. The nailing of plywood and lumber flooring to the skids is illustrated in figure 3-25.

Load bearing floor members over 2 inches thick and up to 4 inches in width are bolted to the skids with one carriage bolt at each end. Two carriage bolts are used at each end of load bearing floor members when they exceed two inches in thickness and 4 inches in width. The load bearing floor members are fastened to skids with 3/8-inch carriage bolts. Load bearing members less than 2 inches in thickness are nailed to the skids. Nails shall be as large as practicable without splitting the piece. The end headers are fastened to the skids with 3/8-inch carriage bolts.

Assembly of the Superstructure

The assembly of the cleated plywood, cleated fiberboard, and cleated paper-overlaid veneer panels into the superstructure shall comply with the applicable requirements of the specifications already described.

Assembly of the Superstructure to the Base

The end and side panels are assembled to the base with lag bolts (sometimes referred to as "lag screws"). One 3 inch lag bolt, three-eighths inch in diameter, is placed through the lower longitudinal cleat of the side panel and into the skid, at a distance not less than 2 inches from the end of the cleat. The distance between additional lag bolts shall not exceed 12 inches. In attaching the end to the header, one lag bolt is placed through the lower filler and into the end header, at a distance not less than 2 inches, not more than 3 inches from the end of the filler cleat. A minimum of two lag bolts are required through each end filler cleat.

CAUTION

Lag bolts shall not be driven with a hammer except to start them. They shall be turned in their holes the full distance. If the threads become stripped in the wood, the lag bolt is to be removed and inserted in a new hole near the old position. A washer is placed under the head of each lag bolt. Countersinking of lag bolts is not permitted.

WIREBOUND WOOD BOXES (PPP-B-585)

A wirebound wood box is a resilient engineered structure deriving both strength and economy from the substitution of steel wires for a considerable portion of wood. The sides, top, and bottom of this container are stapled to several binding wires and are fastened to a framework of cleats at each end by staples driven astride the end binding wires. The ends are nailed, stapled, or wired to the cleat framework to form the container.

Description of Box Components (fig 3-29)

Blank

A blank is the assembled parts of a wirebound wood box. The wood faceboards of the box are held together by wires which are stapled to them. Blanks are "set up" to form a box.

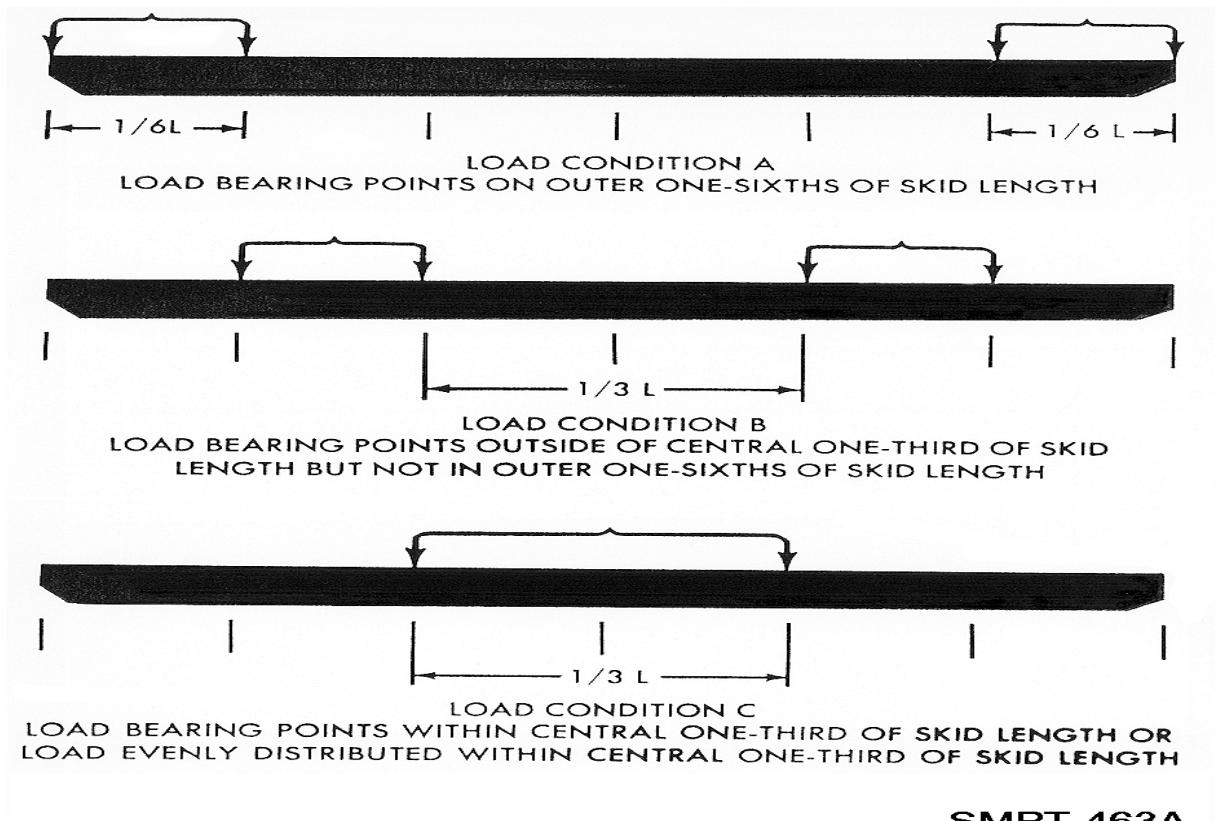


Figure 3-28. Load distributions of skids.

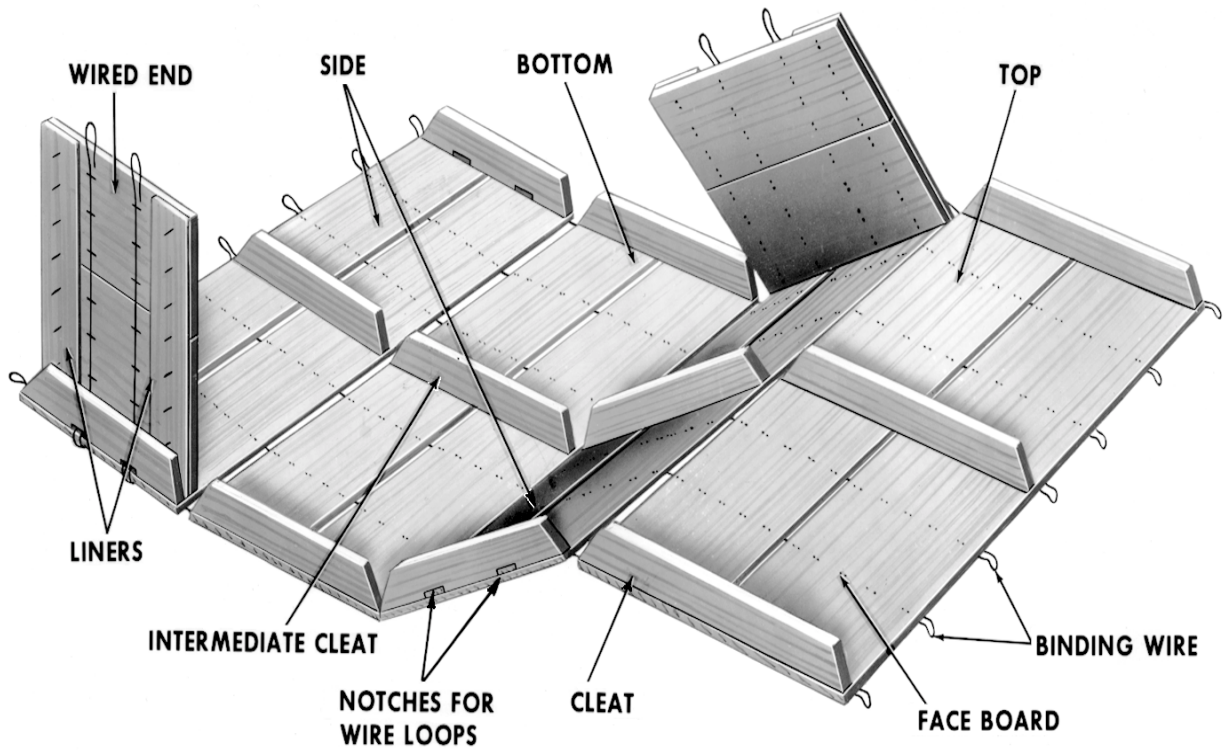


Figure 3-29. Components of wirebound wood boxes.

Cleats

Cleats form the framework to which the ends of the faceboards or slats are fastened. They are made with mitered or mortised and tenoned ends (tongued-and-grooved). Intermediate rows of cleats may be required to reinforce unsupported spans.

Faceboards

Faceboards are the thin boards that form the six faces of the box. They are made of veneer, resawn lumber, plywood, or paper-overlaid veneer. Their chief function is to hold the contents of the box in place.

Binding Wires

They hold the faces of the box together and carry most of the weight in the box.

Staples

They hold the faceboards and cleats to the binding wires.

Ends

The ends may be either plain, lined, or battened, according to the type of materials used, the weight of contents, and type of load. Only ends made from plywood are plain.

Battens

They are pieces of wood used on the ends of wirebound wood boxes to reinforce the ends, to reinforce the cleats, and to increase the strength of the box so that it may carry heavy stacking loads.

Liners

They are thinner pieces of boards stapled to the ends in order to tie all parts together and to strengthen the fastening section. The grain of the liner is placed at right angles to the grain of the end faceboard. They are stapled to either the outside or inside face of the ends. Liners for Styles 1 and 2 boxes are always vertical; liners for Style 3 boxes are always horizontal.

Skids

A wirebound box has two skids added when it carries a gross weight in excess of 200 pounds or when the gross weight exceeds 100 pounds, but the length and width are 48 inches by 24 inches or more. Additional skids are added if the distance between them exceed 48 inches. They are secured by two rows of nails in a staggered pattern. PPP-B-585 stipulates other requirements concerning the addition of skids.

Classes

Class 1 Domestic

For domestic shipments not involving sea transportation, but subject to storage, rehandling, or reshipment to domestic destinations. Weight limitation is 500 pounds.

Class 2 Normal Oversea

For off-shore and oversea shipments contemplating projected storage and commercial-type handling. Weight limitation is 400 pounds.

CLASS 3 MILITARY OVERSEA

For oversea shipments and handling in military supply systems, subject to repeated rehandling and unprotected storage, and which may also be subjected to extreme climatic conditions. Weight limitation is 300 pounds.

If required, Class 2 and 3 boxes are preserved with the same preservative treatment as PPP-B-621 and PPP-B-601 wood boxes.

STYLE OF BOXES

Three styles of wirebound wood boxes are used for domestic and oversea shipments. These styles differ primarily in the manner of closure of the binding wires. Each style can be easily recognized in figure 3-30. Style 1 has a twisted wire closure, Style 2 has a looped wire closure, and Style 3 has a looped wire closure and has the ends reinforced with wire instead of battens. Unless end battens are used, the Style 3 box is not recommended for Type 3 (difficult) loads.

ORDERING DATA

Wirebound wood boxes are engineered and manufactured commercially and are not made locally by military activities. Procurement documents should include the specification number (PPP-B-585); the inside length, width, and depth to the nearest one-sixteenth of an inch; the style of box; the class of box; the type of load; and the weight, quantity, and marking of the contents. If blocking or bracing is required, it is suggested that a drawing or a sample of the item be furnished to the box manufacturer.

CONTAINER MANUFACTURER'S IDENTIFICATION

Unless otherwise specified, each box is imprinted with the following information, which is limited to 15 square inches and placed in a lower corner of one side panel:

- Federal Specification PPP-B-585.
- Box manufacturer's name.
- Plant location.
- Maximum weight of contents...pounds.
- Class...box. For type...load. Style...Box.

BOX USAGE

Each box is manufactured to do a specific job. When used for the proper maximum weight of contents, type of load, and class of use, it will afford adequate protection to the item being shipped. It is important that the container manufacturer's identification be utilized prior to packing. The following points must be considered:

- In using the boxes, care should be exercised to select the box designed for the type of load to be shipped. A Type 2 load will not be packed in a box designed to carry a Type 1 load, and a Type 3 load will not be packed in a box designed to carry either a Type 1 or a Type 2 load.
- Type 1 and 2 loads, the inside dimensions of the box will be sufficiently exact so that the contents fit snugly into the box and give support to all its faces.
- Type 3 loads, other than bulk loads, the contents will be firmly bolted, blocked, braced, or otherwise anchored to the frame of the box in such a manner that shifting of the contents will not occur during handling of the shipment.

ECONOMY FACTORS

Wirebound wood box contains approximately one-half as much lumber as a nailed wood box of the same size which carries the same amount of contents. Wirebound wood boxes are usually available at a lower price than many other shipping containers of more rigid construction.

Style 3 boxes are resilient on all six faces. Items requiring this characteristic in the box can use a Style 3. Style 3 boxes are the most economical of the styles. The original cost of the box is less than that of the other styles. The savings of time in setting up the boxes is advantageous. Since the amount of lumber in a wirebound wood box is greatly reduced, compared to other types of wood containers, the tare weight is lower. Accordingly, the freight charges on a given size shipment are correspondingly lower. There is a saving in labor operations due to the simplicity of assembly and the ease of closure.

Styles 2 and 3 boxes can be opened and reclosed at intermediate stages of distribution much easier than other kinds of containers.

Wirebound boxes can be repaired and reused.

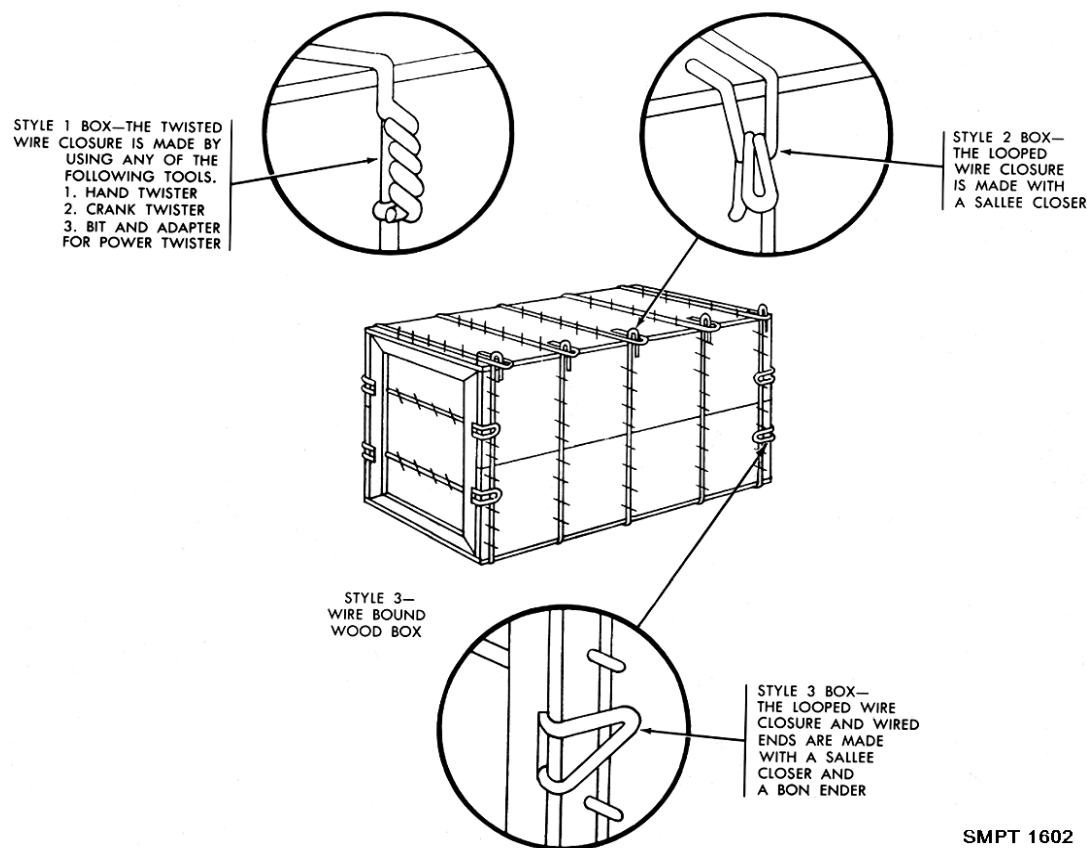


Figure 3-30. Styles of wirebound wood boxes.

SETTING UP THE BOXES

Boxes arrive from the manufacturer in a knockdown condition and are stored knockdown until the time of use. Each box is then set up prior to loading of shipment. The method of setting up depends upon the style of the box.

Setting up of Styles 1 and 2 (fig 3-31)

Lift the sides of the blank slightly before folding. Fold the box by raising the sides at right angles to the bottom. Fasten the ends to the side cleats using a steel nailing table or an end stapling machine. Ends are fastened to side cleats by either staples or cement-coated and chemically-etched nails. Unless otherwise specified, staples for Class 3 use boxes are galvanized. The length of each fastening will be not less than the thickness of the end boards plus three-quarters the thickness of the cleats or battens. The points of the fastenings will not protrude from the cleats or battens, but, if driven through, they must be clinched. The average spacing of the fastenings will not exceed 2 1/2 inches.

Drive sevenpenny cement-coated or chemically-etched cooler or sinker nails through side cleats into adjacent battens and through bottom cleat into intermediate batten. Boxes having both vertical and horizontal battens adjacent and parallel to cleats should be fastened by nailing through bottom faceboards and cleats into the battens only. The spacing of nails driven into adjacent battens will not exceed 5 inches.

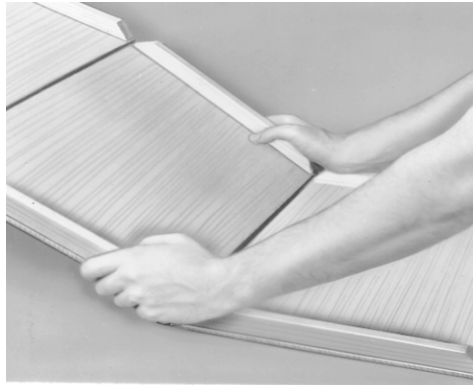
Setting up of Style 3 (fig 3-32)

Bend up looped end wires of ends using the hollowed end of a bon ender. Lift sides of the blank slightly before folding and raise sides at right angles to bottom. Pass the bent end loops through notches in the cleats. Using the tapered end of the bon ender, bend back the looped wire over and around the binding wire of the side.

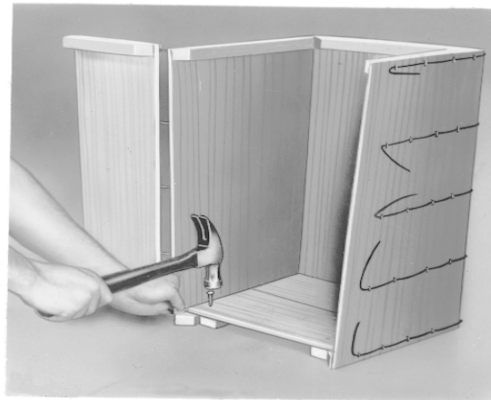
When battens are used on the ends of style 3 boxes, battens adjacent to batten cleats are nailed by driving sevenpenny cement-coated or chemically-etched cooler or sinker nails through the bottom boards, through the cleat and into the adjacent batten. Spacing of nails will not exceed 5 inches. Intermediate battens are secured by driving one sevenpenny cement-coated or chemically-etched cooler and sinker nail through the board and cleat into the end of the intermediate batten.

Strapping Requirements

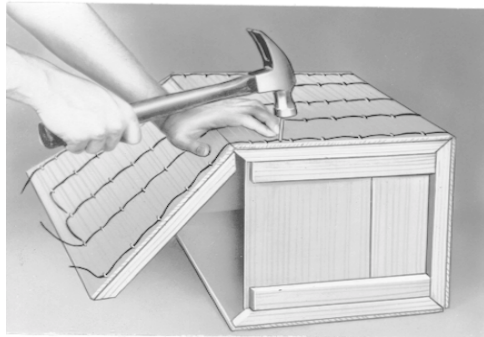
Where strapping is required, the top cleats shall be brought in contact with the side cleats and the strapping is applied before the wires at the closing edges are twisted or looped. This eliminates occasional slack which may develop when strapping is applied after closure is made. Strapping is placed as indicated in figure 3-33 wire strapping cannot be smaller than 13-gauge. Flat strapping cannot be less than 5/8 X 0.020 inch.



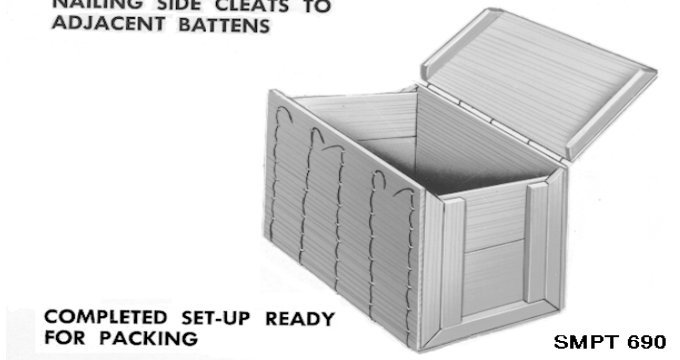
**FORM BOX BY RAISING SIDES
AT RIGHT ANGLES TO BOTTOM**



NAILING ENDS TO SIDE CLEATS



**NAILING SIDE CLEATS TO
ADJACENT BATTENS**



**COMPLETED SET-UP READY
FOR PACKING**

SMPT 690

Figure 3-31. Setting up of styles 1 and 2, wirebound wood boxes.

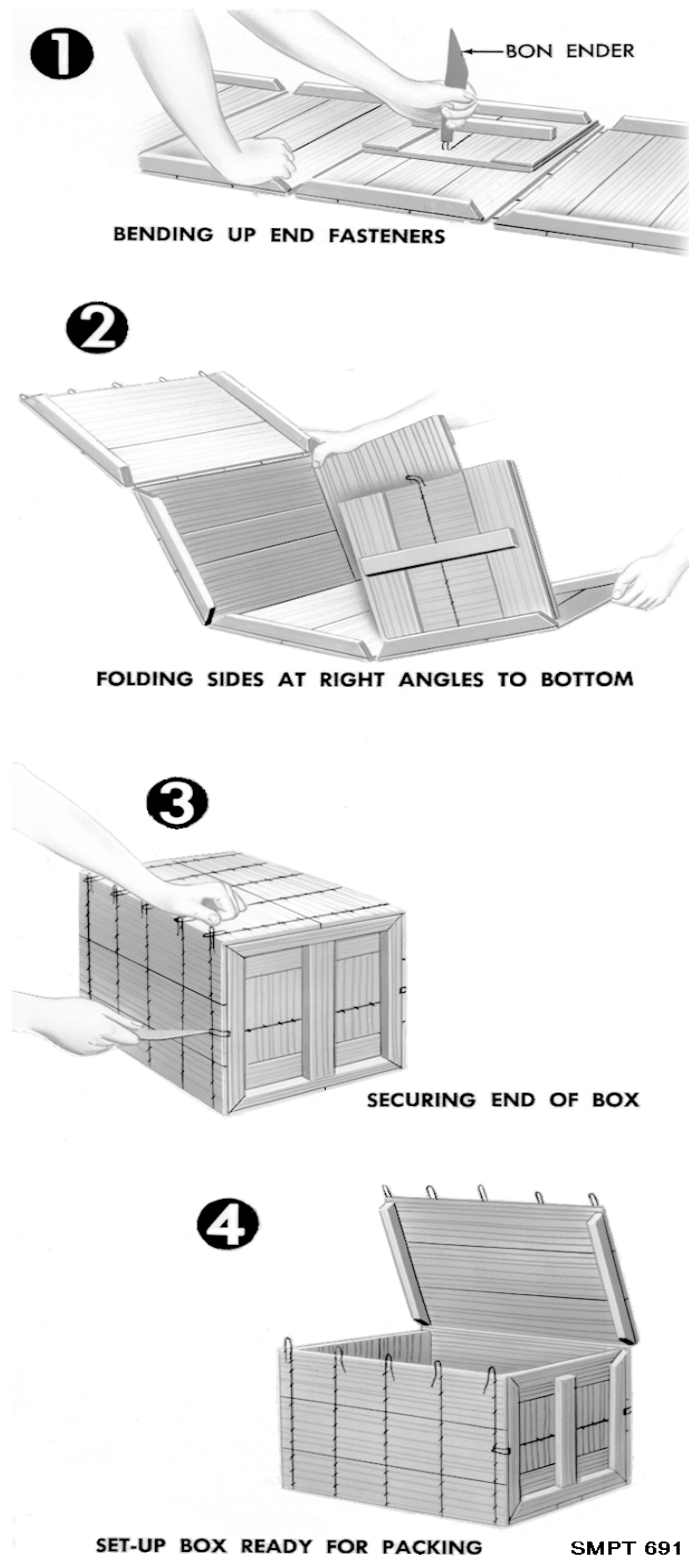


Figure 3-32. Setting up of style 3 wirebound wood box.

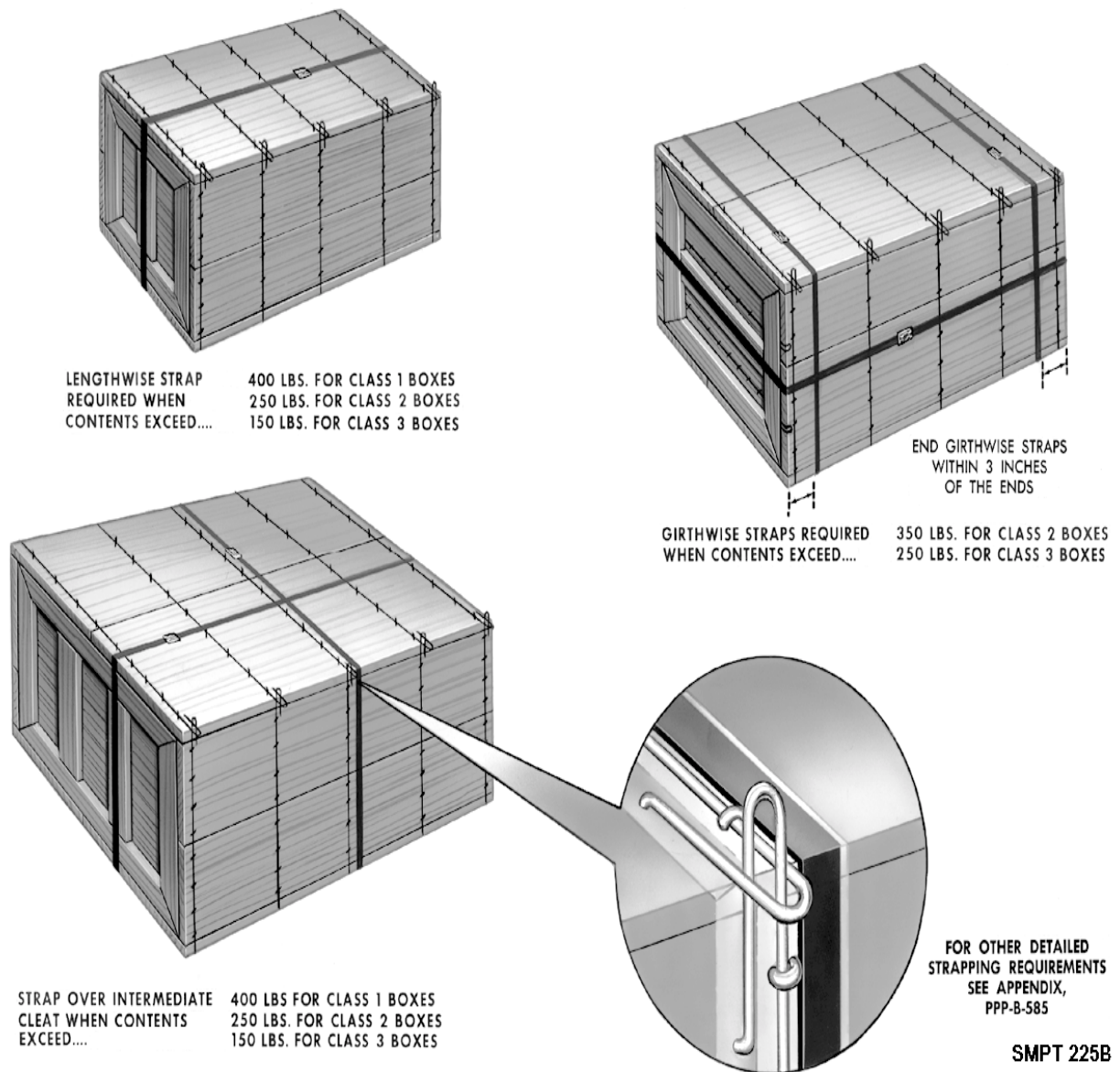


Figure 3-33. Strapping of wirebound wood boxes.

Closure of the Boxes

Closure of Style 1

Style 1 boxes are closed by using special tools (fig 3-34). When intermediate battens are used on the ends of the box, one sevenpenny cement-coated or chemically-etched sinker or cooler nail is driven through the top board and cleats and into the end of each intermediate batten. This is done prior to making the closures of the binding wires.

Closure of Styles 2 and 3

These styles are closed by using a Sallee closer. Perform the steps, as shown in figure 3-35. Insert the Sallee closer through the side loop and catch the top loop in the notch on the end of the tool. Raise the handle of the Sallee closer to slightly beyond a vertical position and push the top loop down against the side of the box. Complete closing by swinging the handle of the Sallee closer down

as far as possible. Drive a nail through the top cleat into each intermediate batten. Do not nail into the ends of the battens that are adjacent to the cleats.

Note. The applicable tools for making closures are illustrated in figures 3-34 and 3-35. Correct tools are available from box manufacturer. Do not use screw drivers, pliers, etc., because an adequate closure cannot be made and their use is time-consuming and may be a safety hazard.

PALLETS (GENERAL)

DESCRIPTION

A pallet is a portable platform on which material is placed to facilitate handling and transportation. This platform is generally a two-deck structure which permits mechanical handling and tiering of unit loads of supplies an equipment.

Types of Pallets

Pallets are classified as expendable an permanent. They are also classes as general purpose and special purpose.

Expendable Pallets

Expendable pallets are designed generally for one shipment and then discarded. Their construction is usually of wood, fiberboard, or a combination of the two. In order to be effective as one-trip pallets, they must be lightweight and low in cost. When the cost of using them is equalled or exceeded by the savings realized during a single trip, they are truly expendable pallets. Examples of expendable pallets are illustrated in figure 3-36.

Permanent Pallets

Permanent pallets are termed as general purpose and special purpose pallets.

General Purpose Pallets

The general purpose pallets are constructed of hard wood and are normally 40 inches by 48 inches in size. They fit economically into railroad and, motor vehicles, and trailers. Two general purpose pallets are the 4-way entry post pallet and the 4-way (partial) four-stringer pallet (fig 3-37).

Special Purpose Pallets

Pallets made of metal, which are suitable for certain heavy duty usage, are special purpose pallets. They are more rugged and will stand more abuse than wood pallets. There are no fasteners to work loose and cause damage to flexible containers and their contents. Pallets made of aluminum have been developed that are light in weight. The initial cost of metal pallets is high in comparison to pallets made of wood.

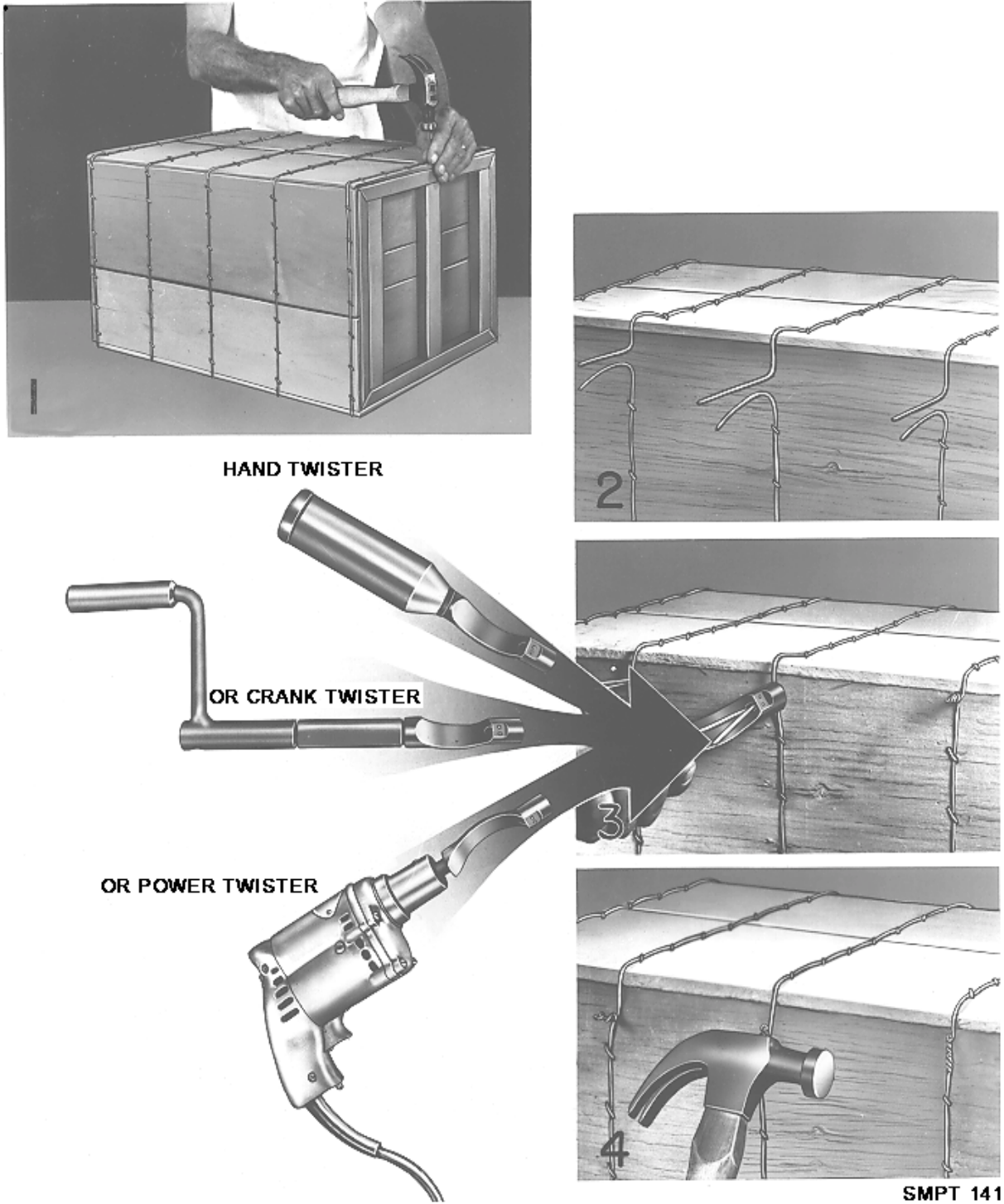


Figure 3-34. Closing of style 1 wirebound wood box with special tools.

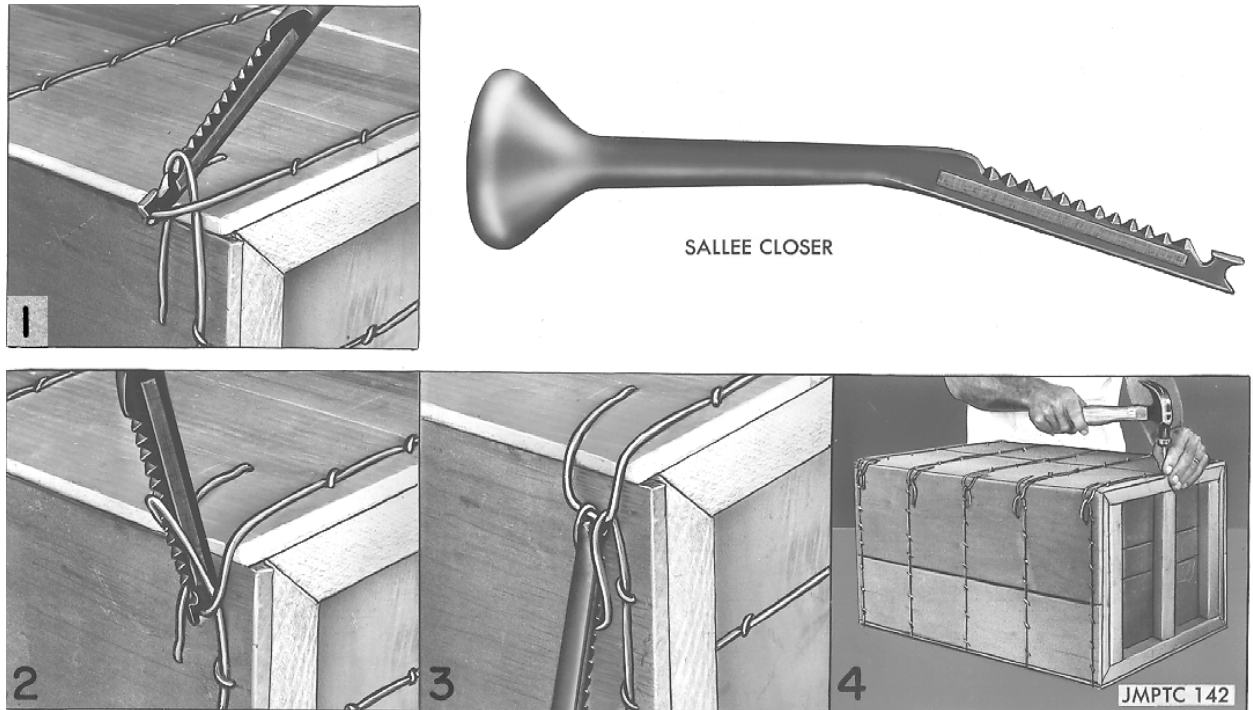


Figure 3-35. Closing of style 2 and 3 wirebound wood boxes.

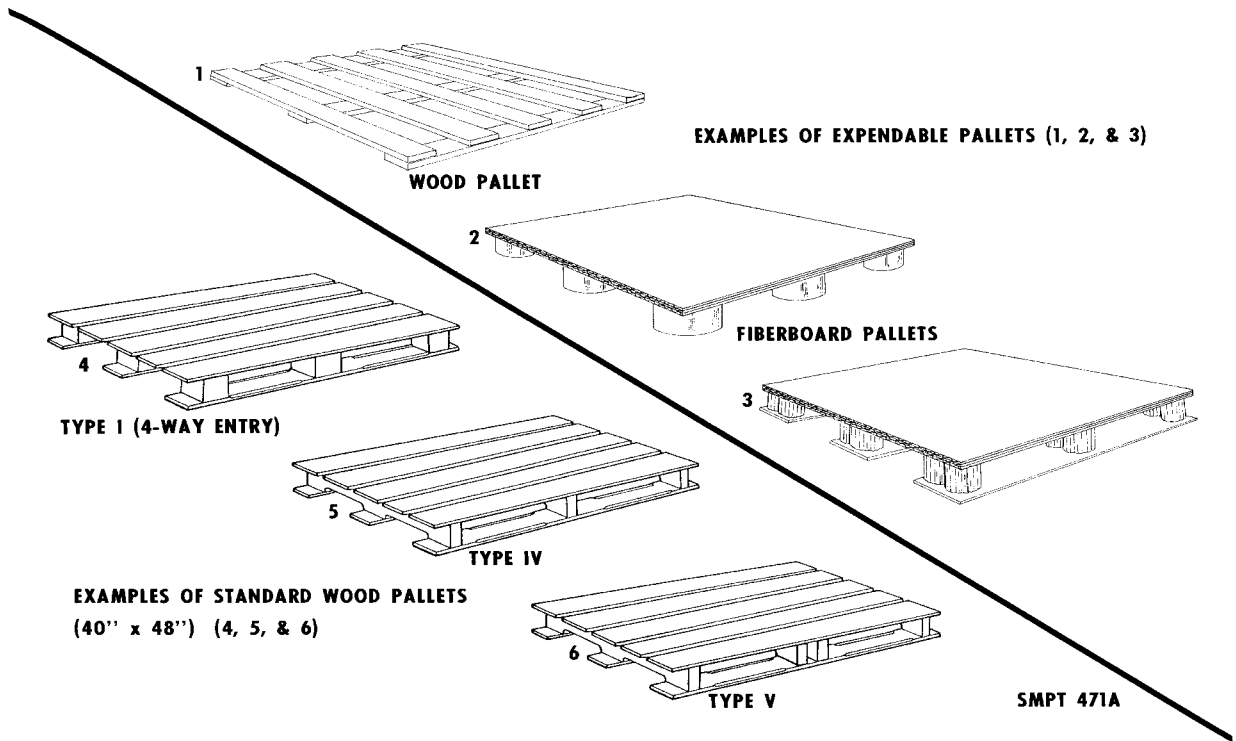


Figure 3-36. Examples of expendable pallets.

FOUR-WAY POST CONSTRUCTION PALLETS (MIL-P-15011)

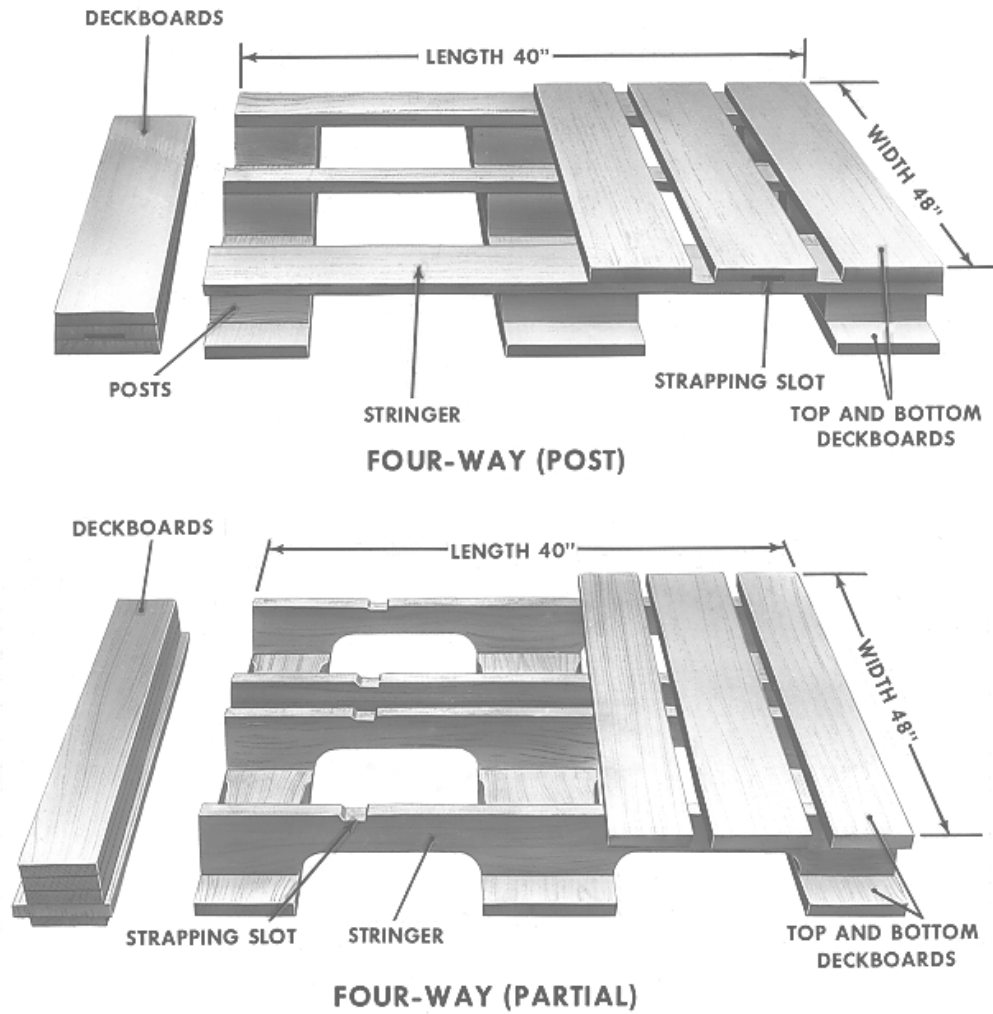
These pallets are available in two types: Type I (assembled) and Type II (unassembled). Each type is available in two classes: Class 1 (seasoned lumber, 22 percent maximum average moisture content); Class 2 (Unseasoned lumber, unspecified moisture content). There are four styles. Style 1 is the general storage pallet and is of the standard 40 inch by 48 inch size, and unless otherwise specified, is constructed of high density wood. Style 1A pallets are constructed the same as Style 1 pallets except that the size is 35 inches long by 45 1/2 inches wide. The smaller, Style A1 pallets are designed for better utilization in intermodal transporters and the fourth style, style 2 is a light-weight, air cargo pallet, 40 inches by 48 inches in size. It is constructed of the low or medium density woods with thickness less than that for Styles 1 and 1A. These pallets provide full 4-way entry to materials handling equipment. As indicated in figure 3-37 nine posts are placed on the bottom boards with drive-screw nails conforming to Type II, Style 18, of ASTM F 1667-95. Stringers extending the length (40 inches, Styles 1 and 2 and 35 inches for Style 1A and 42 inches for Style 1B) of the pallet are fastened to each row of posts. The deck boards are nailed through the stringers and into the posts. Style 1B pallets are constructed the same as Style 1 pallets except that the size is 42 inches long by 53 inches wide.

FOUR-WAY (PARTIAL) STRINGER CONSTRUCTION PALLETS (NN-P-71)

Two-way and four-way stinger pallets are available in several types and may be assembled or unassembled (fig 3-37). Each type is available in various sizes. They are used wherever two-way or partial four-way entry is required by conventional materials handling equipment. Four stringers made from 2 inch by 4 inch lumber are nailed or bolted at right angles to the bottom deck boards. The stringers are cut out to enable fork lift entry. The top deck boards are nailed to the stringers.

MAINTENANCE OF PALLETS

Wooden pallets are susceptible to damage and must be kept in constant repair. Broken or split deck boards must be replaced when their holding power is impaired. Fastenings that work loose should be carefully repaired. When nails must be replaced, snip off nail heads and drive into stringer or block. Make sure that new nails do not line up with previously occupied nail holes. It is recommended that a stock of repair parts be available for making all repairs.



JMPTC 472A

Figure 3-37. Four-way entry post and (partial)four-stringer pallets.

CHAPTER 4

BAGS AND SACKS

NEED FOR BAGS AND SACKS

While a considerable amount of the materiel furnished to the military services is shipped in fiberboard, metal, or wooden containers, there are many supplies which can be most economically shipped in bulk quantities in bags and sacks. Items such as food products, building materials, some chemicals and minerals are effectively shipped in bags and sacks. Bags and sacks possess the inherent advantages of having low tare weight ratio (that is, the ratio of the weight of the container to the weight of the contents); being flexible; providing ease in filling and handling; requiring a minimum storage space; and being constructed of low cost materials.

BAGS DEFINED

A bag is a preformed container made of flexible material, generally closed on all sides except one which forms an opening that may or may not be sealed after filling. It may be made of a single ply or multiple plies of flexible material, or a combination of two or more materials such as paper, metal foil, cellulose, and plastic films and textiles, any of which may be coated, laminated, or treated to provide the properties required for packaging, storing, and distributing the commodity.

SACKS DEFINED

A sack often used as a synonym for a bag, generally refers to heavier duty or shipping bags. No exact line of separation can be drawn between what is referred to as heavy duty bag and shipping sack. In this section, both bags and sacks are discussed and may be employed to handle the same weights and kinds of commodities. Usually, a container designed to carry over 50 pounds is considered a shipping sack.

SHIPPING BAGS AND SACKS

For shipping military supplies, there are four flexible containers that are approved for use by the DOD. These containers are: cotton mailing bags (A-A-2714); cushioned paper shipping sacks (A-A-160); burlap (A-A-1588); and shipping bags (A-A-881).

COTTON MAILING BAGS (A-A-2714)

This description covers cloth mailing bags with a drawstring closure. Cotton mailing bags are intended for packaging and mailing small miscellaneous items.

Classification

Bags shall be of the following types and sizes:

Type 1 - Regular

Type 2 - Fire Retardant

Size A - 3 inches wide X 4 inches high
Size B - 3 inches wide X 5 inches high
Size C - 4 inches wide X 9 inches high
Size D - 4-1/2 inches wide X 8 inches high
Size E - 5-1/2 inches wide X 14 inches high
Size F - 6 inches wide X 9 inches high
Size G - 6-1/2 inches wide X 10 inches high
Size H - 7-1/2 inches wide X 18 inches high
Size I - 8 inches wide X 10 inches high

CHARACTERISTICS

Components

Bags furnished under this description shall be made from components meeting the requirements of table 4-1.

Construction

All seams shall be sewn with stitch type 401, seam type EFa-1 of FED-STD-751, with 4 to 6 stitches per inch. Bottom and side seams shall have a stitching margin of not less than 1/4 inch from the edge of the bag. The top seam shall have a stitching margin of not less than 3/8 inch to allow for insertion of the drawstring. A twine drawstring shall be inserted through the hem at the top of the bag so that each end of the drawstring projects not less than 2 inches from the bag. The total length of the drawstring shall be not less than twice the overall width of the bag plus an additional 6 inches. A tag, made from cloth lined paper stock and measuring $3 \pm 1/16$ inches by $5-1/2 \pm 1/16$ inches, shall be inserted into the bottom of the bag and shall be sewn in place. When the bag is turned with the seam edges inside, the tag shall extend not less than 5 inches from the bottom of the bag. The paper side of the tag shall have a hard surface suitable for pen and ink addressing.

Dimensions

Dimensions shall be outside dimensions, expressed as overall width X overall height. The tolerance for each dimension shall be + 3/8 inches, or - 1/4 inches.

Workmanship

The bags shall be uniformly made, neatly trimmed, free from holes, stains, tears, or other defects which may impair their serviceability or appearance. The tags shall be firmly attached.

Packaging, Packing, and Marking

Packaging, packing, and marking shall be as specified in the contract or order.

Table 4-1

Component	Test	Requirement	Test Method
Fabric	Breaking Force	Warp, not less than 48 pounds. Filling, not less than 35 pounds.	ASTM D 5304
	Fabric Count	Warp yarns, not less than 40 per inch. Filling picks, not less than 40 per inch.	ASTM D 3775
	Surface Flammability (applies only to fabric for Type 2 bags.)	Average flame spread index, not more than 25.	ASTM E 162
	Specific Optical Density of Smoke (Applies only to fabric for Type 2 bags.)	Average maximum specific optical density, not more than 100.	ASTM E 662
Seam Thread	Breaking Force	Average breaking force, not less than 3.0 pounds	ASTM D 2256, Option A1
Drawstring	Breaking Force	Average breaking force, not less than 24 pounds	ASTM D 2256, Option A1

PROCUREMENT

Buyers shall specify the following:

- Type and size required;
- Preservation, packaging, packing, labeling, and marking required.
- Item Identifiers/Reference Part Number System. (For cataloging use only.)

A-A-2714 - 1 B This example describes a regular 3 inch high bag.

- Size A - 3 inches wide X 4 inches high
- Size B - 3 inches wide X 5 inches high
- Size C - 4 inches wide X 9 inches high
- Size D - 4-1/2 inches wide X 8 inches high
- Size E - 5-1/2 inches wide X 14 inches high
- Size F - 6 inches wide X 9 inches high
- Size G - 6-1/2 inches wide X 10 inches high
- Size H - 7-1/2 inches wide X 18 inches high
- Size I - 8 inches wide X 10 inches high

- Type 1 - Regular
- Type 2 - Fire Retardant

CUSHIONED PAPER SHIPPING SACKS (A-A-160, A-A-1588)

Cushioned paper shipping sacks are made of two sheets of kraft paper separated by an evenly distributed cushioning medium. They may be used for interior or exterior packaging where insulation, water resistance, or light cushioning effect is required for items weighing not more than 10 pounds.

CUSHIONED WITH POST CONSUMER RECOVERED MATERIAL (A-A-160)

CHARACTERISTICS

Construction

The walls of the sack shall consist of 2 layers of kraft paper with a cushioned medium such as macerated paper inserted between the layers. The outer layer of kraft paper shall be water resistant. The fabricated sacks shall pass

the water resistance test and the impact resistance test. The edge of the inside seam shall be located not more than 1 inch from the side of the sack.

Dimensions

Dimensions of the sacks shall be outside measurements, expressed as width by length. Dimensions shall be as specified with a tolerance of $\pm 1/4$ inch. Sack opening shall be on the short side.

Workmanship

Sacks shall be uniformly constructed and free from holes, tears, cuts, splits, or other defects which might impair their usefulness.

QUALITY ASSURANCE

Examination of the End Item For Dimensions and Workmanship

The sample unit shall be one sack. The Inspection Level shall be S-2 with an Acceptable Quality Level (AQL) of 2.5 percent defective in accordance with ANSI/ASQC Z1.4-1993.

Testing of the End Item For Water Resistance and impact resistance

The same unit shall be one sack. The Inspection Level shall be S-1 with an Acceptable Quality Level (AQL) of 2.5 percent defective in accordance with ANSI/ASQC Z1.4-1993.

Water Resistance Test

Two drops of water shall be placed on the outside of the sack and covered with a watchglass. The water shall remain on the outside of the sack without being absorbed for not less than 30 minutes.

Impact Resistance Test

Determine the cubic capacity of the sack by multiplying the three factors F1, F2, and F3, together:

$$\text{Cubic capacity} = F1 \times F2 \times F3$$

F1 = specified length

F2 = 90% of specified width

F3 = 10% of specified width

Fill a graduated cylinder or similar volumetric device to 75 percent of the cubic capacity of the sack with dry, unpopped, popcorn. Transfer the popcorn to the sack and seal the open end of the sack with packaging tape. Drop each sack six times from a height of 36 inches onto a hard, unyielding surface such as uncarpeted concrete. The sack shall be dropped once on each face and once on each side. If any popcorn spills from the sack, the sack does not pass the impact resistance test.

Examination of packaging, packing and marking

The sample unit for this examination shall be one fully prepared shipping container. The Inspection Level shall be S-2 with an Acceptable Quality Level (AQL) of 4.0 percent defective in accordance with ANSI/ASQC Z1.4-1993.

REGULATORY REQUIREMENTS

The manufacturer/contractor shall certify that the kraft paper used to make the sacks contains not less than 5 percent post consumer recovered material. The Government reserves the right to require proof of such content prior to the first delivery and thereafter as may be provided for under the provisions of the contract. Post consumer recovered material is defined as paper, paperboard and fibrous wastes from factories, retail stores, office buildings, homes, etc., which has passed through an end use as a consumer item, including: Used corrugated boxes, old newspapers, old magazines, mixed waste paper, tabulating cards, used cordage; and all paper, paperboard, or fibrous waste collected from municipal solid waste.

PACKAGING, PACKING AND MARKING

Packaging, packing, and marking shall be as specified in the contract or order.

CUSHIONED WITH CLOSED CELL PLASTIC FILM (A-A-1588)

CHARACTERISTICS

Construction

Sacks shall be fabricated from a composite material consisting of kraft paper bonded to closed cell plastic film cushioning material. The composite material shall have a thickness of not less than 0.131 inches. The sacks shall be fabricated so that the kraft paper forms the outside surface of the sack. The open end of the sack shall be provided with an adhesive sealing flap extending the entire width of the sack. The sealing flap shall have a strip of pressure sensitive adhesive, protected by a liner, extending across the entire width of the flap. The weight and test volume for each size sack shall be as specified in table 4-2. The fabricated sacks shall pass the impact resistance test and the creep test.

Table 4-2

Size	Minimum inside dimensions, inches	Test load, Weight per sack, maximum	pounds
000	3-3/4 x 6-1/4	0.44 oz. (12 g)	0.3
0	5-3/4 x 8-1/4	0.77 oz. (22 g)	0.8
1	7 x 10	0.99 oz. (28 g)	1.4
2	8-1/4 x 10	1.1 oz. (31 g)	2.0
3	8-1/4 x 12-1/4	1.4 oz. (40 g)	2.4
4	9-1/4 x 12-1/4	1.5 oz. (43 g)	3.0
5	10-1/4 x 13-3/4	1.9 oz. (54 g)	4.2
6	12-1/4 x 16-3/4	2.5 oz. (71 g)	7.2
7	14 x 17-3/4	3.0 oz. (85 g)	10.0

Dimensions

Dimensions of the sacks shall be inside measurements, exclusive of the flap, expressed as width by length. Inside dimensions for each size, excluding the flap, shall be not less than specified in table 4-2. Sack opening shall be on the short side.

Workmanship

Sacks shall be uniformly constructed and free from holes, tears, cuts, splits, or other defects which might impair their usefulness.

QUALITY ASSURANCE

Examination of the End Item For Weight, Dimensions, and Workmanship

The sample unit shall be 1 sack. The Inspection Level shall be S-2 with an Acceptable Quality Level (AQL) of 2.5 percent defective in accordance with ANSI/ASQC Z1.4-1993.

Testing of the End Item For Impact Resistance and Creep

The sample unit shall be 2 sacks, 1 for each test. The Inspection Level shall be S-1 with a Acceptable Quality Level (AQL) of 2.5 percent defective in accordance with ANSI/ASQC Z1.4-1993.

Impact resistance shall be verified using the test load for each size specified in from table 4-2. The test load for Sizes 000, 0, 1, 2, and 3 shall consist of dry, unpopped, popcorn. The test load for Sizes 4, 5, 6, and 7 shall consist of bond paper, writing paper, or paperback books. For each size sack, the test load shall weigh within ± 0.1 pound of the weight specified in table 4-2. The popcorn shall be placed in plastic bottles or vials which will fit in the sack being tested. The test load may be distributed among more than 1 bottle or vial. Cap the bottles or vials. The paper or paperback books may be wrapped in paper or plastic for ease of insertion and removal from the sack. Place the appropriate test loads into the sack selected for this test. Remove the liner from the flap, close and seal the sack. Drop each sack 6 times from a height of 36 inches onto a hard, unyielding surface such as uncarpeted concrete. The sack shall be dropped once on each face and once on each side. If any tears more than 1/2 inch long, extending from the exterior through to the interior of the sack, are present at the conclusion of the impact resistance test, the sack does not pass the impact resistance test.

Creep Test

Four test specimens, each 3" 1/8 inches square, shall be cut from each sack selected for the creep test. Two specimens shall be cut from the front face of the sack, and 2 from the rear face of the sack. The specimens shall be evenly stacked on a piece of glass approximately 3-1/2 inches square. The bottom specimen shall be placed bubble side up, the second specimen bubble side down, the third specimen bubble side up, and the top specimen bubble side down. A second 3-1/2 inch square piece of glass shall be placed on top of the stack and a weight sufficient to exert a pressure of 1.0 " 0.1 pound per square inch on the test specimens shall be placed on the top piece of glass. After 60 " 5 minutes, the vertical distance between the glass plates shall be measured at each of the 4 corners of the stack with an instrument capable of measuring to 0.001 inch. The measurements shall be taken carefully so as not to disturb the stack. The average of these 4 measurements shall be recorded as the initial stack thickness. The initial stack thickness divided by 4 shall be recorded as the thickness of the composite material. The weight shall be kept on the stack for a total of 168 " 2 hours, then the distance between the glass plates shall be measured and averaged in the same way as was done for the initial stack thickness. This measurement shall be recorded as the final stack thickness. The final stack thickness shall be not less than 80 percent of the initial stack thickness.

Examination of packaging, packing and marking. The sample unit for this examination shall be one fully prepared shipping container. The Inspection Level shall be S-2 with an Acceptable Quality Level (AQL) of 4.0 percent defective in accordance with ANSI/ASQC Z1.4-1993.

REGULATORY REQUIREMENTS

The manufacturer/contractor shall certify that the kraft paper used to make the sacks contains not less than 5 percent post consumer recovered material. The Government reserves the right to require proof of such content prior to the first delivery and thereafter as may be provided for under the provisions of the contract. Post consumer recovered material is defined as paper, paperboard and fibrous wastes from factories, retail stores, office buildings, homes, etc., which has passed through an end use as a consumer item, including: Used corrugated boxes, old newspapers, old magazines, mixed waste paper, tabulating cards, used cordage; and all paper, paperboard, or fibrous waste collected from municipal solid waste.

PACKAGING, PACKING, AND MARKING

Packaging, packing, and marking shall be as specified in the contract or order.

PROCUREMENT

Buyer shall specify:

- Size, as listed in table 4-2.
- Packaging, packing, and marking required.

BURLAP SHIPPING BAGS (A-A-881)

This description covers standard new or used burlap bags for use in domestic and overseas shipment of supplies and materials.

CHARACTERISTICS

Cloth

The bags shall be fabricated from jute burlap cloth conforming to the requirements in table 4-3.

Construction

Bags shall be furnished new or used, as specified.

The bags shall have open-mouth tops and shall have bottom and/or side seams. The minimum average number of stitches shall be 3.0 to the inch, machine sewn and of stitch type 301 or 401 of Fed. Std. No. 751. The raw edges of the bag shall be sewn with export seams, such as those in Fed. Std. No. 751, SSd-1. Seams shall have a breaking load of not less than 80 percent of the breaking load of the burlap from which the bags are made. Raw top edges of bags shall be hemmed. Salvaged edges shall be sewn with flat seams, and raw edges with export seams.

The size or capacity of the bags shall be as specified in the contract order. When specified, bags shall be suitable for subsistence items. Each bag shall be furnished with a polyethylene liner inserted. The liner shall have a Water Vapor Transmission Rate of now more than 15g per m² per day. The liner shall extend not less than 3 inches beyond the top of the burlap.

Table 4-3

	Fabric Count Minimum	Yarns per inch Maximum	Weight, per linear yard by 40 inch width (+8, -2 percent)
Warp	8	11	7.5 ounces
Filling	8	11	

Workmanship

Bags shall be clean, dry, and free of holes, tears, frayed threads, objectionable odors, or foreign matter impregnated in or adhering to the sides of the bags. The bags shall be free from other defects which may affect serviceability. If mended, there shall be no more than two mends per bag, and the maximum size of each mend shall not be more than 2 inches.

QUALITY ASSURANCE

Testing of Burlap Cloth

The burlap cloth shall be tested in accordance with the methods listed below. The sample unit shall be one roll of cloth. The Inspection Level shall be S-2 with an Acceptable Quality Level (AQL) of 2.5 percent defective in accordance with ANSI/ASQC Z1.4-1993.

TESTS

METHODS

Fabric Count

ASTM D 3775

Weight

ASTM D 3776

Breaking Load

ASTM D 1682 (Grab Test)

Testing of Polyethylene

The polyethylene shall be tested in accordance with ASTM Method F 372, Water Vapor Transmission Rate. The sample unit shall be one roll of polyethylene. The Inspection Level shall be S-2 with an Acceptable Quality Level (AQL) of 2.5 percent defective in accordance with ANSI/ASQC Z1.4-1993.

Examination of the end item for defects in workmanship, size, or capacity. The sample unit shall be one bag. The Inspection Level shall be S-2 with an Acceptable Quality Level (AQL) of 2.5 percent defective in accordance with ANSI/ASQC Z1.4-1993.

Testing of the End Item For Seam Strength

The sample unit shall be one bag. The Inspection Level shall be S-1 with an Acceptable Quality Level (AQL) of 2.5 percent defective in accordance with ANSI/ASQC Z1.4-1993. Each seam of the sample unit shall be tested in accordance with ASTM Standard Test Method D 1682, Grab Test. The test specimens shall be cut so that the seam to be tested is in the middle of the specimen, parallel to the 4 inch sides. One determination shall be made on each seam of the sample unit. Breaks in the fabric outside the seam area, including jaw breaks, are acceptable provided they yield breaking loads in excess of 80 percent of the breaking load of the burlap. Any seam which has a breaking load less than 80 percent of the breaking load of the burlap from which the bags are made is a defect.

Examination of Packaging, Packing and Marking

The sample unit for this examination shall be one fully prepared shipping container. The Inspection Level shall be S-2 with an Acceptable Quality Level (AQL) of 4.0 percent defective in accordance with ANSI/ASQC Z1.4-1993.

REGULATORY REQUIREMENTS

The manufacturer/contractor is encouraged to use recovered material in accordance with Public Law 94-580 to the maximum extent practicable.

PACKAGING, PACKING AND MARKING

Packaging, packing, and marking shall be as specified in the contract or order.

CHAPTER 5

PAILS AND DRUMS

DESCRIPTION, CLASSIFICATION, AND SELECTION FACTORS

DESCRIPTION

Pails

Pails are cylindrical containers made of metal or plastic, with or without a bail handle. They have a capacity of 1 to 12 gallons. Metal pails are constructed of 20 gage or heavier metal. The sides and bottoms of the plastic pails are integral units having a minimum thickness of 0.045 inches and designed so they can be easily stacked. Pails may have fixed heads employing pour spouts of various designs or have full removable heads.

Drums

Drums are cylindrical, straight-walled containers made of metal plastic fiber or plywood, or a combination of these materials. Drums may be provided with rolling hoops pressed or expanded from the body of the drum, or I bars welded to the body. Drums have fixed or removable heads.

Note. Cans are lightweight containers made of metal, paperboard, pulpboard, or a combination of metal and paperboard or pulpboard. Since cans usually are associated with unit packaging, information concerning them is found in FM 38-700.

CLASSIFICATION

Pails and drums are classified as to usage, that is, interior or exterior containers, and reusable and nonreusable containers. They are also classified as to composition--metal and nonmetal.

Interior and Exterior Containers

Interior

Interior containers are covered in FM 38-700.

Exterior

These containers consist of pails, reusable type metal containers, and drums. Exterior containers are designed to withstand rough usage. They may be palletized for convenience in handling.

Reusable And Nonreusable Containers

Reusable

Certain metal containers and drums are designed for reuse. The reusable type is very convenient for the return shipment of repairable items. This feature is particularly advantageous in cases where repairable instruments or accessories can be packed for shipment to the maintenance overhaul activity in the container in which the replacement item was received.

Multiple trip pails and drums may, under certain conditions, be refilled and reused for the shipment of liquid, powdered or granular commodities.

Nonreusable

Single-trip containers usually are discarded after their first use. One type, the strippable drum, is filled with a hot liquid which solidifies after cooling. At destination, the drum is torn away from the enclosed product. Other single-trip containers, designed of light gage metal, are discarded after the first trip because of Department of Transportation (DOT) Regulations, or because the general physical condition of the container would not warrant another trip.

Metal and Nonmetal Containers

Pails and drums are made from metal, although some may be made from fiberboard. The most common metal used for drums is mild steel. Some drums, however, are made of aluminum, nickel, stainless steel, various alloys, or plastics.

USE AND SELECTION FACTORS

Use

A wide range of items and commodities are adaptable for shipping in pails and drums. Liquids, semiliquids, semisolids, granular, flaked, and powdered materials, and solids may be shipped in specified types of these containers. Fragile items and precision instruments may be given the high degree of protection they require by the use of cans or drums. Hazardous materials, such as corrosive liquids, flammable solids, flammable liquids, and acids which cannot be shipped in any other type of container may be shipped in approved types of pails and drums.

Selection

When selecting a pail or drum, it must be remembered that these containers are structurally rigid in design and are dustproof. They may also be waterproof or water-vaporproof. They are easy to mark and afford excellent physical protection of contents during shipment and storage. Pails and drums may be less susceptible to pilferage than some other types of containers. Care must be taken when selecting containers. This is particularly true when selecting a container for shipment of dangerous items; it is also true when selecting the correct container for other items. For example, a square item in a cylindrical container takes about 1-1/2 times the cube required for the same item when packed in a square container. In addition to the loss of valuable cube, excess dunnage is required to fill the voids when a container of the wrong shape is used.

Note. Containers used for shipments of hazardous materials can not be made in accordance with the Department of Transportation (DOT) Specifications after 1 October 1994 and may not be used for shipment after 1 October 1996.

At that time, all containers for Hazardous Materials must be made in accordance with the United Nations Specifications. However, packages filled prior to October 1, 1991, conforming to old requirements, and marked with "INHALATION HAZARD" as appropriate, may be offered for transportation and transported until 1 October 2001.

METAL SHIPPING AND STORAGE DRUMS (MIL-D-6054)

DESCRIPTION

These reusable steel shipping and storage drums are fabricated of 18 to 22 gage steel and incorporate a full removable (recessed or dome style) cover. Bolted-ring or lever lock closures are used to seal the cover onto the drum body (fig 5-1). Gaskets for the covers may be tubular or solid. The covers, gaskets and locking rings are interchangeable within each diameter group. Rolling hoops, which increase the strength, rigidity, and ease of handling, also provide the means of anchoring internal dunnage through the use of split expanding steel rings which fit into the grooves (fig 5-2). When properly sealed, the drums provide a highly effective water-vaporproof container, thus affording a degree of protection suitable for Method 40 and Method 50 preservation.

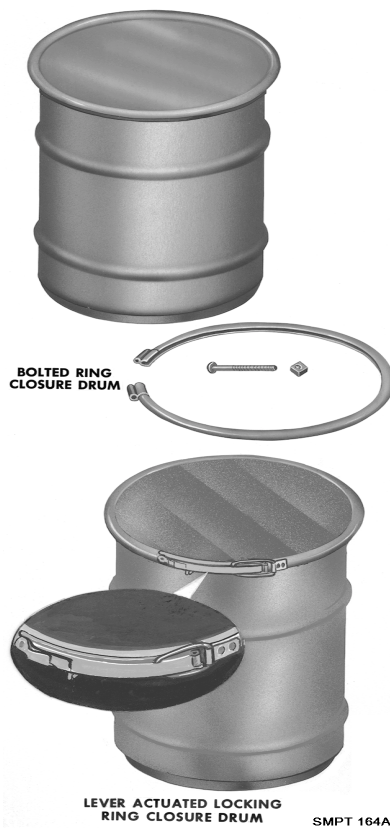


Figure 5-1. Bolted ring and lever actuated type closures (MIL-D-6054).

CLASSIFICATION

The drums are available in various capacities ranging from 3 to 80 gallons, and from 40 to 250 pounds gross weight. The drums are available with inside diameters ranging from 10.5 inches to 30 inches, and inside usable heights ranging from 8.08 to 41.12 inches. The capacities and dimensions, which are available in different combinations, are specified in Military Standards MS27683 and MS27684.

USE

These metal drums are intended to be used for storage and shipment of military material. Drums are required by test to withstand internal pressure of 15.0 pounds per square inch (psi), which will allow them to be used for packing of hazardous materials for transportation by military aircraft. These drums are also used as overpacks for shipments by air of containers which will not meet 15 psi. All size drums are suitable for all methods of preservation where a rigid container is specified. The use of drums are affected by the following factors:

Size and Capacity

There is no specified rule for the selection of a container for a particular item. It is obvious, however, that a container will be selected which will be adequate to contain the item and its blocking and cushioning, yet allow sufficient clearance between the item and the container, or between the blocking and the container walls, to prevent damage to the item when the drum is handled roughly. The container must not be too large, as this will involve the use of extra space and weight. This is a disadvantage when a large number of such drums are to be shipped or stored.



Figure 5-2. Internal locking rings in position (MIL-D-6054).

Internal Locking Rings

The split steel locking ring is designed to fit snugly within the rolling hoop of a metal container and provide a circular flange support for interior blocking (fig 5-3). Care must be used in the design of the interior blocking or other fittings to prevent displacement of the locking ring when loaded. Without some safety device, the locking ring may be loosened by rough handling of the container due to the load imposed on the ring. Figure 5-3 illustrates a safety ring made of plywood. If the item being packed precludes the use of a safety ring, the same function may be performed by using three blocks equally spaced around the internal locking ring and secured to the dunnage by screws. This permits the removal of the blocks for unpacking.

Cup-Type Inserts

The cup-type metal insert was developed primarily as a mount for generators and starters for metal container packing, but it may be adapted to other items. Figure 5-4 shows the metal cup, with plywood fastened to the two ends to aid in blocking while figure 5-5 shows the cup in position, anchored between the locking ring and the container cover. The numerous bolt holes through the cup allow it to be bolted to various items as required.

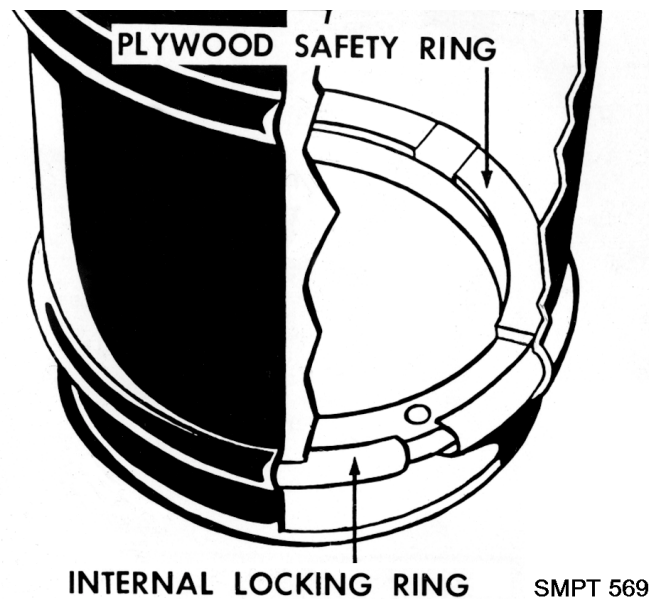
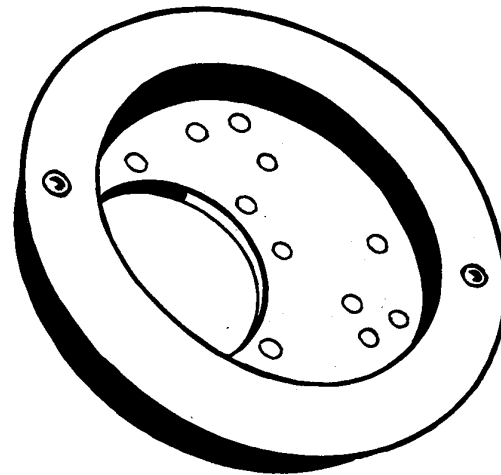


Figure 5-3. Use of internal locking ring (MIL-D-6054).



JMPTC 570

Figure 5-4. Cup-type metal insert (MIL-D-6054).

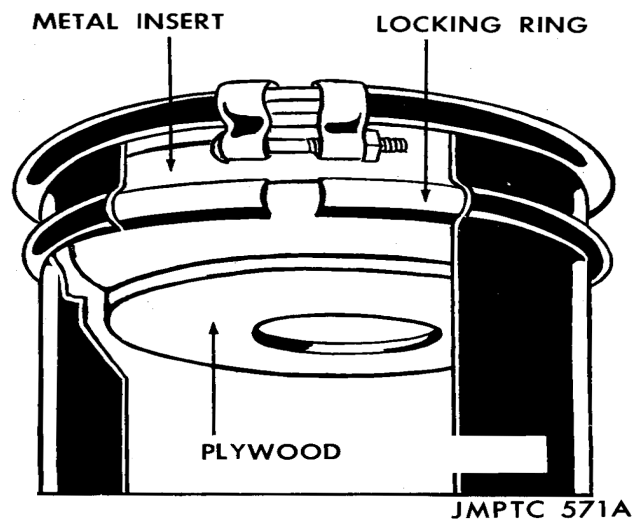


Figure 5-5. Cup-type insert locked in place (MIL-D-6054).

Crate-Type Inserts

The crate-type metal insert is shown in figure 5-6. In use, the item being packed is bolted to two adjacent side members. Plywood disks on the ends of the insert provide some cushioning. The base of the item packed will be insulated from the insert with barrier material conforming to MIL-B-121, Grade A, to prevent the possibility of corrosion from reaction of two dissimilar metals. The maximum weight of the packed item should not exceed 25 pounds for the 10-1/2 inch diameter insert, or 30 pounds for the 13 13/16 inch insert.



Figure 5-6. Item installed in crate-type insert (MIL-D-6054).

Closure

There are two styles of closure for these drums. They are the bolted ring closure and the lever activated locking closure. Closures are made in one of the following manners:

- Bolted-ring closure. The closure may be made in two ways. A device may be used which encircles the locking ring and applies pressure uniformly around the circumference of the ring. The closure is effected by tightening the bolt and nut after uniform pressure is applied at all points around the ring. Care should be taken that the gasket is properly seated in the groove of the cover prior to closure. Alternately, closure may be made by tightening the closure bolt (fig 5-7). The locking ring is tapped at various points about the closure ring while the closure bolt is being tightened. The tightening is continued until at least a minimum torque of 6 foot-pounds plus or minus one-half is applied. In lieu of the specified torque indicating device, closure of an exterior metal container having a slotted-head bolt may be accomplished by using a common screwdriver having an overall length of approximately 17 inches. If this procedure is followed, a spot check of torque with a torque indicating device should be made to assure adequate tensioning. Drums used for shipping commodities by Parcel Post will have the bolt end and protruding edges of the closure ring wrapped, taped, cushioned or otherwise securely covered to prevent damage to postal employees, mail bags, and other containers during shipment. Containers shall be overpacked in fiberboard boxes when this extra precaution is considered necessary. When overpacked, containers shall be secured within the fiberboard box with fiberboard or other suitable dunnage.



Figure 5-7. Tapping locking ring while tightening bolt to insure an effective seal (MIL-D-6054).

- Lever actuated locking closure. When specified in the contract or purchase order a lever actuated type locking ring may be used instead of the nut and bolt type locking ring. Use may be made of a device which encircles the locking ring and applies pressure uniformly about the circumference of the locking ring. The closure is then affected by closing the locking lever and then the wire and lead seal lever which locks the locking lever in position. When the encircling device is not available for use, tension is applied by the locking lever and the ring is tapped repeatedly around the circumference until the ring is seated and the lever is in a locking position. The lever is then locked into place by the wire and lead seal lever lock.

Sealing

Sealing of the container is effected by means of a wire and metal seal which is applied after the closure is complete. Drill 3/32 inch diameter holes in each locking ring lug if they are not already predrilled. The sealing wire is inserted through the holes and the loose ends are twisted together tightly, after which the seal is crimped over the twisted ends of the wire.

Repair and Reuse

The components of the metal shipping and storage drums are repaired and reused as follows:

- Containers, cover, ring, and gasket. Due to the welded construction of an exterior type metal container, dents are considered repairable even though a seam or joint is involved. Dents are removed, painted surfaces retouched, and the container reused or returned to stock. If the container is distorted beyond practical repair, or has a dented or otherwise damaged sealing lip, it is unfit for further use and should be handled accordingly.
- Metal inserts and dunnage. It is not normally considered advisable to repair metal inserts or dunnage, due to the fact that once distorted or deformed, the metal insert would probably be weaker if bent back into the original shape, and thus be incapable of affording the necessary protection. If bent back and reinforced, the spring rate of the material might be greatly changed, thus transmitting any shock directly to the part to be packed and causing damage. However, in an emergency they may be repaired under competent engineering supervision. Immediately upon removal of an item from a metal insert type mount, the interior locking rings and metal inserts must be returned to stock, unless required for immediate reuse. All inserts and interior locking rings are stocked and handled as separate items, and never as component parts of the container assembly.

METAL DRUMS (STANDARD) (MISCELLANEOUS)

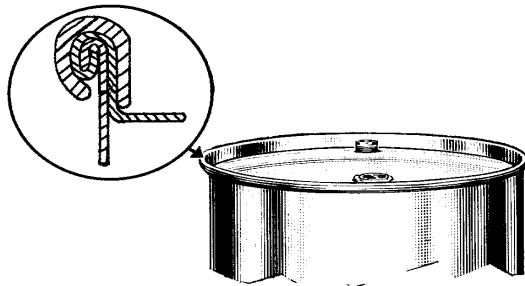
DESCRIPTION

Metal drums are cylindrical, single-wall shipping containers with a capacity which usually ranges from 12 to 110 gallons, 55 gallons being the most common capacity. Metal drums are equipped with rolling hoops which provide additional strength to the side wall and provide for ease of handling. The rolling hoops may be parallel to each other or be offset to facilitate closer nesting for palletization and carloading. Metal drums may have full removable heads or tight heads (fixed) (fig 5-8). A drum with a tight head is

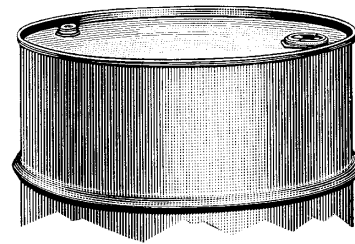
provided with a 2 inch diameter bung and 3/4 inch diameter vent hole for filling and emptying. These openings may be on the drum head or in the drum body. Drums may be unlined or lined with lacquer, varnish, enamel and plastics, rubber, lead, or aluminum.

CLASSIFICATION

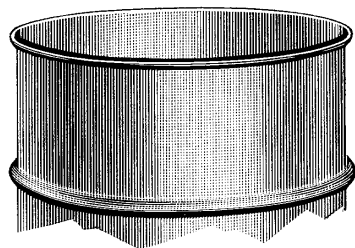
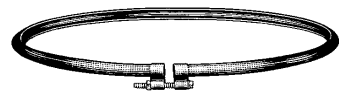
The DOD uses many kinds of drums for the shipment of various materials. Listed in table 5-1 is the Federal specification number and title (PPP-D-729) and the DOT specification number and title. Figure 5-8 shows the type of drum classified in Federal Specification PPP-D-729 and the corresponding DOT-5B. DOT designates the DOT 17E and DOT-37A drums as single-trip containers.



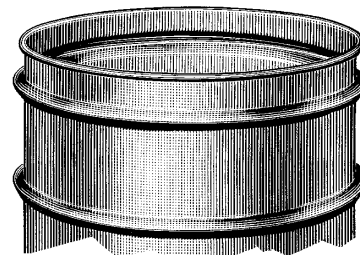
TIGHT HEAD WITH CHIME REINFORCEMENT
PPP-D-729, TYPE I DOT-5B



TIGHT HEAD WITHOUT CHIME REINFORCEMENT
PPP-D-729, TYPE II DOT 17E



FULL REMOVABLE COVER WITH BOLTED TYPE LOCKING RING
PPP-D-729, TYPE III
UFC RULE 40 NMFC RULE 260



FULL REMOVABLE COVER WITH BOLTED TYPE LOCKING RING (DROP FORGED LUG)
PPP-D-729, TYPE IV DOT 17H

SMPT 2287C

Figure 5-8. Types of drum closures and typical markings for domestic drums (PPP-D-729).

Table 5-1. Specifications and Titles of Metal Drums.

Federal specification number and title	DOT specification, number and title
PPP-D-729 drum, metal, 55 gallon (for shipment of noncorrosive materials) Type I..... (Class A-Closehead, Class B-Openhead)	DOT-5B Steel barrels or drums. Removable head containers which will pass all required tests are authorized.
Type II.....	DOT-17E Steel drums, single trip container. Removable head containers not authorized.
Type IV.....	DOT-17H Steel drums, single trip container. Removable head required.
Type V.....	DOT 5A - Straight side, unlined steel for acid and corrosive liquids.
Type VI.....	DOT 5C - Straight side, corrosion-resistant steel for acid and corrosive liquids.
Type VII.....	DOT 5D - Closehead straight side, lined steel for acid and corrosive liquids.

USE

The tight (fixed) head drums are primarily used for the shipment of liquids. Emptying may be through either the filler or vent hole, although the filler hole is most commonly utilized. A spout may be affixed to the threaded portion of the hole to facilitate emptying. A pump, either hand or hydraulically operated, may be utilized in the hole. Greases, dry powdered, flaked or granular materials, etc., may be shipped in a full removable head drum. The full removable head drum provides the easiest access to the contents.

REUSE

Most metal drums are initially filled at the manufacturer's plant and are reusable except for single-trip containers. When empty, the drums may be returned to destination for refilling. If refilling is done by the initial user, care should be taken not to reuse drums which have been used to ship hazardous materials, until such drums are cleaned and tested in accordance with UN recommendations. Failure to do so may create a serious health hazard. When filling drums with dangerous materials, only UN recommended type drums may be used for that commodity. The drum specification number, the name, initial, or symbol of the manufacturer; the letters "US" to indicate that the drum is the property of the Government; the letters "STC" if the drum is a single-trip container; and a numerical indication of the thinnest gage of metal used in the construction, the capacity of the drum in gallons, and the year of manufacture are embossed on the bottom of the drum (fig 5-8). For example, 18-55-74 means that drum is 18 gage metal, 55-gallon capacity, and was made in 1974. When filling the drums, the contents may not exceed the marked capacity minus 2 percent for outage.

FIBER DRUMS (PPP-D-723)

DESCRIPTION

Fiber drums are cylindrical shipping containers with bodies made of fiberboard, either lapped or parallel wound (convolutely) in the form of a hollow cylinder. They may be either single unit or telescopic body type. The heads are of metal, wood, plywood, or fiberboard. There are many characteristics of fiber drums which give them advantages over other types of containers. Included among these are cleanliness, durability, low uniform tare weight, retard temperature fluctuation, easy opening and closing, water and moisture resistance, stackability, easy handling, product protection and wide range of diameters and heights. Fiber drums are easily opened and reclosed.

CLASSIFICATION

Fiber drums are available in the types, grades, and classes shown in table 5-2.

USE

The intended uses are shown in table 5-2. The other factors covered by this paragraph must also be observed.

Domestic Type (Type I)

Fiberboard drums covered by this specification are intended for use as domestic shipping containers. Grade A drums are for dry or solid materials. Class 1 regular construction should normally be used; class 2 foil laminated should be used for highly hygroscopic materials needing a barrier, such as desiccants. Use of grade B drums should be limited to semisolid materials having a consistency similar to asphalt, lubricating grease, petrolatum, refractory cement, caulking compounds, roof coatings, adhesives, textile sizing, and food products such as jellies and fondants. The consistency of asphalt materials and lubricating greases should not exceed 350 units when measured in accordance with method 311.6 of FED-STD-791 (ASTM D 217). Class 2 is normally used when high moisture barrier is required or when the type I, grade A, class 2 is supplemental by the aluminum liners it may be used to deter electrostatic charges and prevent explosion. Grade C drums are for hot-poured materials that solidify on cooling and should be limited to materials poured at temperature not exceeding 400°F. Grade E drums are for nonregulated liquids or articles in liquids.

Type I, Grade D

This is also intended for normal overseas shipment. When substituted for type II drums, the drums shall be marked type II, overseas type (nonweather resistant).

Type II Overseas (Nonweather Resistant)

Fiberboard drums covered by this specification are intended for use for normal overseas shipment where numerous handling and storage at destination are not anticipated.

Type III Overseas (Weather Resistant)

Fiberboard drums covered by this specification are intended for unprotected weather exposure usage for added protection in high humidity or outdoor storage environment.

Exceptional Requirement

Exceptional commodities, especially dangerous articles (hazardous material), may require better material and construction requirements than are covered by this specification.

Compliance Marking

In addition and adjacent to the drum manufacturer's markings required by Uniform Freight Classification, National Motor Freight Classification or DOT rules or regulations, each drum is stamped or printed in black capital letters not less than 3/16 inch in height with information concerning the type, class, grade, specification number, etc. For example, the information for the Type I drum is shown below:

Type I
(DOMESTIC TYPE)
COMPLIES WITH FED. SPEC. PPP-D-723J
FOR DOMESTIC SHIPMENT _____
GRADE _____ CLASS _____
MAX. WT. OF CONTENTS _____ LBS.
MAX. CAPACITY OF CONTENTS _____ GAL.

In addition, Grade D drums shall have stenciled or printed on the cover and side wall in letters not less than 3/4 inch in height, the following precautionary markings:

STAND ON END
KEEP COOL AND DRY

Only contents of the type, grade, and class as indicated in the compliance markings are to be placed in these drums. The weight and capacity must also conform to these requirements.

Table 5-2. PPP-D-723 Fiber drums

Types, grades, and classes. Fiber drums covered by this specification shall be of the following types, grades, and classes, as specified.	
Type I Type II Type III	- Domestic (nonweather resistant) - Overseas (nonweather resistant) - Overseas (weather resistant)
Grade A Grade B Grade C Grade D Grade E	- For dry and solid material (applicable to all types) - For semiliquid material (applicable to all types) - For hot poured materials that solidify on cooling (applicable to types I and II only) - For rolled or cylindrical items (applicable to types I and II only) - For liquids or articles in liquid - nonregulated (applicable to all types)
Class 1 Class 2 Class 3 Class 4 Class 5	- Regular construction (applicable to only types I and III grade A drums) - Foil laminated construction (applicable to only types I and III grade A drums) - Integral plastic lining (applicable to only grade E drums) - Semi-rigid plastic component (open head loose liner applicable to only grade E drums) - Molded rigid one-piece plastic component (closed head liner) applicable to only grade E drums

Closure

The closure of fiber drums must be such that they may be opened and reclosed by hand or simple tools. These are three types of closures which are commonly used. They are the friction-type or telescopic slip on covers, which are secured with pressure sensitive tape, lever-activated locking bands, and the metal clip or lug closure (fig 5-9).



Figure 5-9. Types of fiber drum closures (PPP-D-723).

CHAPTER 6

CRATES

INTRODUCTION TO CRATES

NOMENCLATURE AND RELATED TERMS

Crates are rigid containers constructed of structural members fastened together to protect the contents. Crate design involves numerous names and terms which must be defined if the construction of crates is to be explained without confusion. When the names of the separate components are known, although they differ in various specifications and drawings, their functions and relationship to each other are more easily understood. In order that both general and detail design requirements may be clearly understood, reference to items described in ASTM D 996 and below is recommended.

Nomenclature

Baffle

A piece of plywood, wood, or metal placed over ventilation holes to deflect air or water entering the crate.

Bottom Sheathing

Boards nailed to the bottom surface of the frame members of a sill base. Also known as flooring.

Bridging

Members of the same depth as joists or sills placed at right angles to the intermediate longitudinal or crosswise sills or headers to prevent lateral turning or buckling of the joists or sills.

Cleats

Auxiliary reinforcements for plywood panels placed between vertical struts to strengthen the panel.

Covered Crate

A crate with open-type frame with an outside covering of plywood or paper-overlaid veneer.

Crate Base

The bottom load bearing unit of a crate.

Crate Covering

A lightweight material fastened to the frame of an open crate to give more positive weatherproofing than is offered by an open crate and shroud.

Diagonals

Frame members positioned between parallel frame members and placed at angles of nearly 45° to the latter.

Diagonal Floorboards

Usually 1-inch boards, cut at 45° angle to the skids and placed between the forklift areas.

End Frame Members

Members of the top panel of an open crate, placed crosswise at each end of the top.

End Sills

Members forming the ends of a sill frame.

Filler Strips

Boards placed across the ends of thin, nonload bearing floorboards which fill the space below the lower frame member of the sides.

Floor Members

Boards and timbers nailed or bolted to the top of the skids forming a platform for the contents and a bottom closure for the crates.

Forklift Area

Area extending 42 inches in from each end of the crate, usually floored with 2-inch boards.

Frame Members

Those wood members which form the fundamental structure of the crate.

Gusset Plate

A square piece, usually plywood, placed at the junction of the diagonals for reinforcement.

Hanger, Metal

Metal strapping formed in a manner to support intermediate sills on a sill-type crate or joists of the top.

Headers or End Cross Members (Open Crate)

Cross members attached at the end of the skids which hold the skids together. Also longitudinal members at each end of top joists.

Horizontal Braces

Members positioned between struts and parallel to upper and lower frame members of the sides or ends.

Horizontal Top Bracing Joist Support

Horizontal member attached to the frame members in which the top joists rest.

Intermediate Crosswise Sills

Full length members located between the end sills and parallel to them.

Intermediate Frame Members

Members of the top panel of an open crate located between and parallel to the side frames of the top.

Intermediate Longitudinal Sills

Full length members located between the side sills and parallel to them.

Intermediate Skids

Full length beams located between and parallel to the skids.

Joists

Members extending across the crate that support the top and prevent crushing when grab hooks are used.

Joists Supports

Members, usually 2 x 4, nailed to the frame under each joist and extending to the floor.

Kick Blocks

Short members attached at the junction of the corner post and upper or lower edge member. They are used on end panels having no braces or those with a single diagonal brace.

Lag Bolt Reinforcing Strap

Galvanized strapping drilled to take lag bolts and nailed to the inner face of the sheathing at the center line of the skid and header.

Load Bearing Floor Members

Heavier or reinforced floorboards used to hold the concentrated weight of the crate load.

Lower Frame Member

Horizontal frame member at the lower edge of the side and end panels. Formerly called lower edge member.

Open Crate

A crate formed of frame members only, without exterior sheathing attached.

Reinforced Straps

Metal strapping applied at the corners or base corners to reinforce and fasten the panels together.

Rubbing Strips

Boards nailed to the underside of skids or bottom sheathing.

Sheathed Crate

A crate in which the frame members are completely covered with sheathing.

Sheathing

Material such as plywood, lumber, or fiberboard nailed to the frame of a crate across all openings to add strength to the crate, or to prevent loss of contents, pilferage, or entry of dirt, water, etc., into the crate.

Side Frame Members

Members of the top panel of an open crate, placed lengthwise of each side of the top.

Side Sills

The members forming the sides of a sill base crate.

Sills

The continuous frame members of a sill base.

Sill Base

A crate which has its frame members (sills) built on the inside of the crate to which the bottom sheathing is attached.

Sill Bridging

Members of the same depth as the sills placed at right angles to the intermediate lengthwise or crosswise sills of a sill base to prevent twisting or buckling.

Skids

The outside longer beams of a skid base which support the weight of the crate and contents.

Skid Base

A crate base which has its longer beams on the outside.

Sleeper

Reinforcing members secured to the underside of the floorboards, at right angles to the floorboards to provide secure anchorage for the item.

Spacers

Members which position the ends of joist or sills.

Spreaders

Members placed at right angles to the floorboards, between the item and the floorboards, to distribute the load over a wider area.

Sling Notches

Open spaces between the ends of the rubbing strips and the ends of the crate, or cutaway sections at the ends of the skids.

Struts

Vertical frame members between the upper and lower frame members.

Top Joist Spacers

Short members nailed between the top joists, to the inside face of the upper frame members, which act as end bridging.

Top Sheathing

Board or plywood forming the closure of the top.

Upper Frame Member or Upper Edge Member

Horizontal frame member at the upper edge of the side and end panels.

Related Terms

Actual Size Lumber

The true dimension of a piece of lumber as measured with a scale.

Center of Balance

The point along the length of a crate at which it would balance on a fulcrum, placed at right angles to the skids or sills.

End Grain Nailing

Nails driven parallel to the grain of the wood.

Gross Weight

Total weight of the crate and its contents when ready for shipment.

Holddowns

Devices constructed of wood or metal, used to secure the item to the base of the crate.

Liner

Waterproof barrier material placed between the frame and the sheathing.

Net Weight

The weight of the item alone, excluding dunnage, wrappings, or containers.

Nominal Size Lumber

Dimension of lumber before it is dressed.

Overdriving

Driving nails into wood so that the heads sink below the surface of the wood.

Side Grain Nailing

Nails driven at right angles to the grain of the wood.

Tare Weight

The weight of the crate, including dunnage, holddowns, and packing materials.

Underdriving

Driving nails into wood so that the heads protrude above the surface of the wood.

CLASSIFICATION OF CRATES

Crates are grouped into several categories. They may be open or sheathed (fig 6-1). Crates may be nondemountable, single trip crates of nailed construction, or bolted, reusable, demountable crates. Crates may be designed for domestic use only, or for both domestic and oversea shipments. Some crates are designed for general use and others are constructed in accordance with a specification for a particular item. Of course, the classification of a crate may include a combination of several of the above factors.

Open Crates

An open crate is a container formed of frame members only, without exterior sheathing attached. When plywood or paper-overlaid veneer is used to provide additional weather protection, they may be called covered crates as opposed to sheathed crates. The open crates discussed in this section are the most widely used (fig 6-2, 6-3, and 6-4).

Small Open Crates

Small open crates may be subdivided into the following categories:

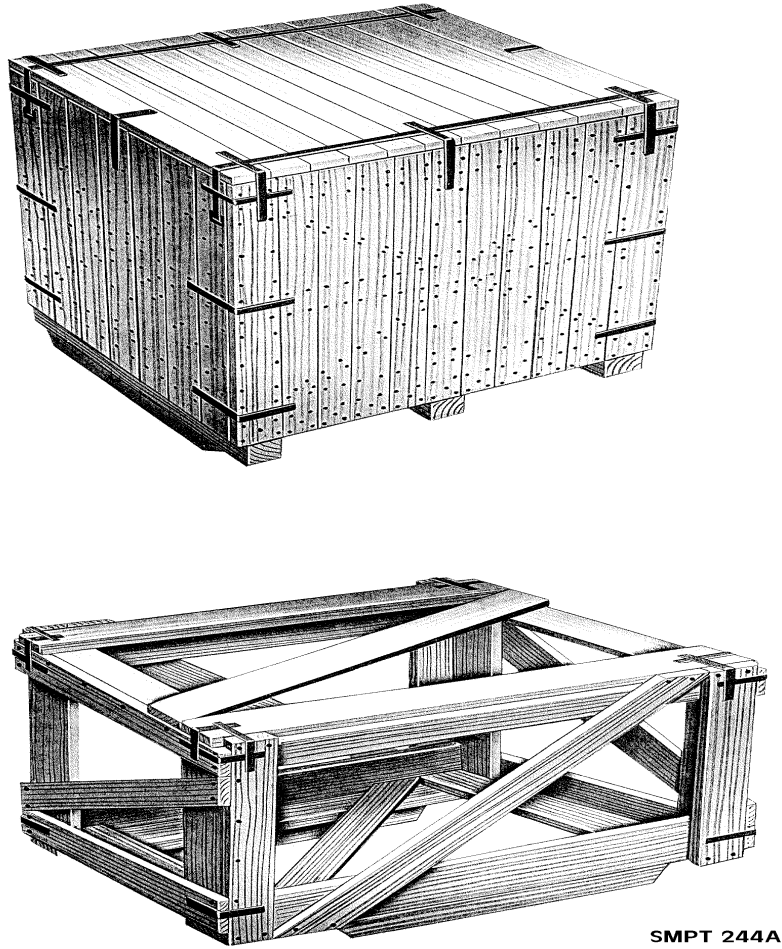


Figure 6-1. Open and sheathed crates.

Shallow Crates

These crates are normally not more than 12 feet in length, 4 feet in width, and 2 feet in height, as illustrated in figure 6-2. The net weight of contents should not exceed 1,000 pounds. However, there are exceptions to these requirements which are explained in the footnote of table 6-3.

Lightweight Crates

These crates are designed for net weight of contents not exceeding 250 pounds. The size is limited to 4 feet in length, 3 feet in width, and 3 feet in height (fig 6-2 and 6-3).

Medium Weight Crates

Crates in this classification are normally designed for a net weight of contents not exceeding 1,000 pounds. The size is limited to 6 feet in length, 4 feet in height, and 4 feet in width (fig 6-2).

Heavy Weight Crates

These crates are normally designed for a net weight not exceeding 4,000 pounds. The size is limited to 32 feet in length, 6 feet in width, and 10 feet in height (fig 6-2, and 6-3, Type V).

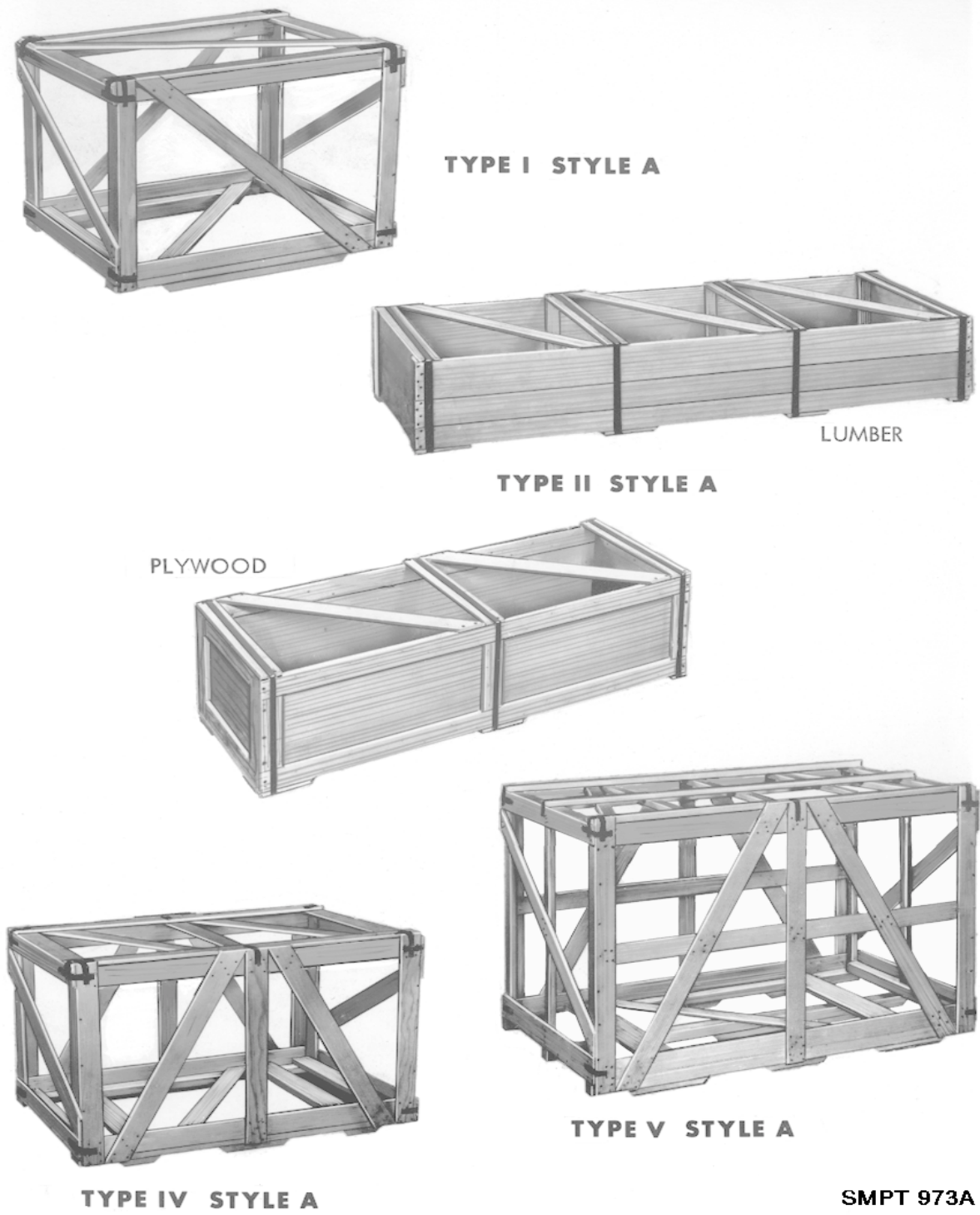


Figure 6-2. Styles of open crates (MIL-C-52950).

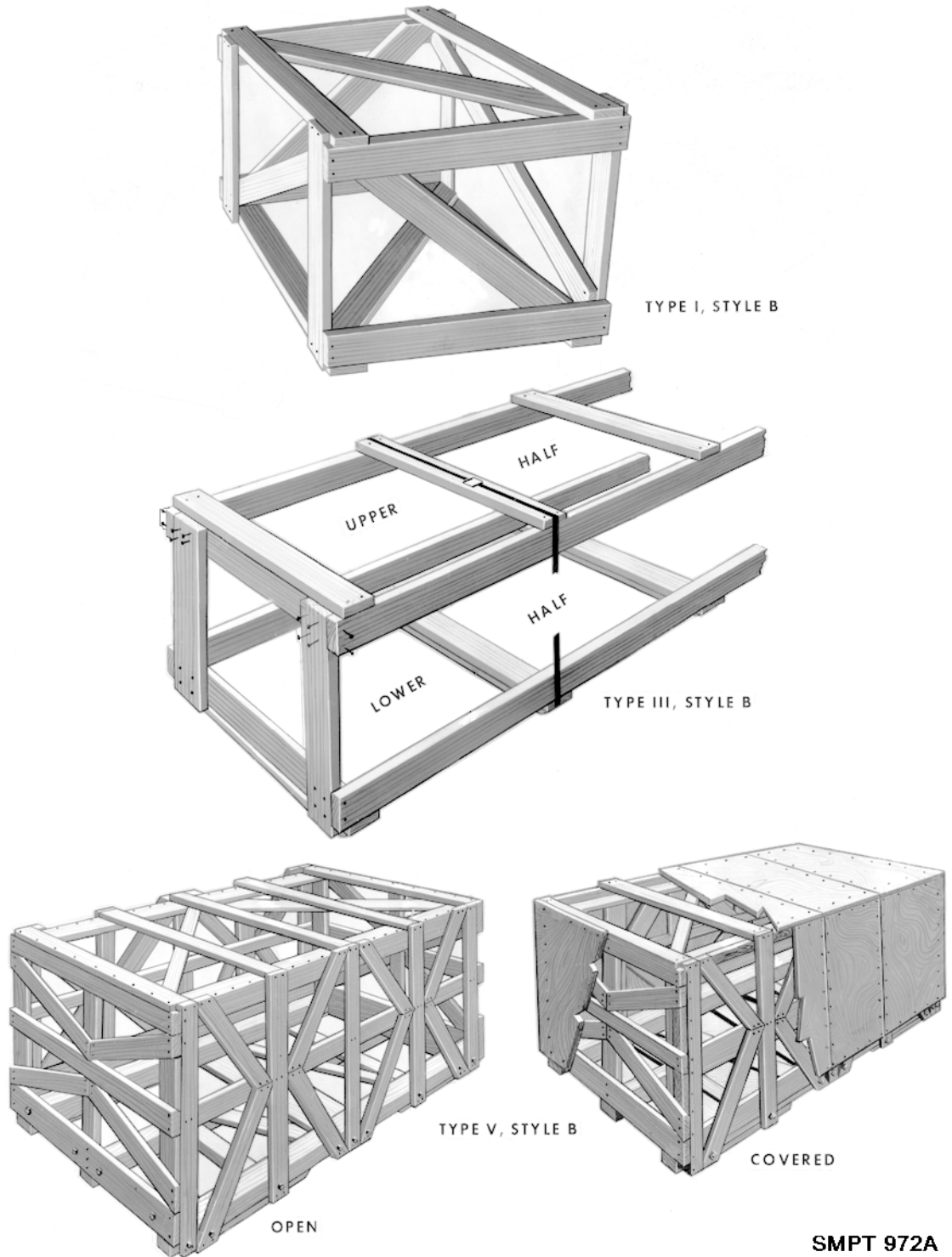


Figure 6-3. Styles of open crates (MIL-C-52950).

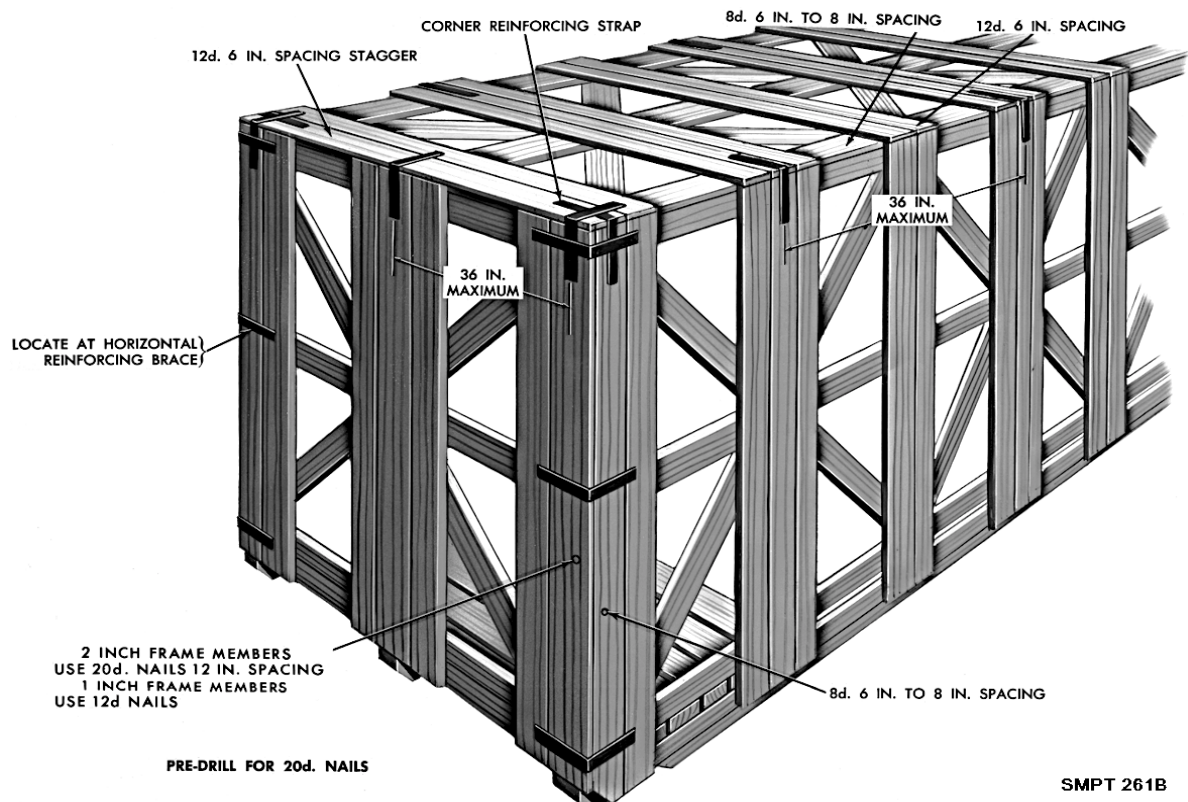


Figure 6-4. Assembly of open nailed crate (MIL-C-3774).

Large Open Crates

For military use, there are two kinds.

Nailed Crates

These crates are designed for a net weight ranging up to 12,000 pounds. The maximum size limit is not to exceed 16 feet in length, 8 feet in width, and 8 feet in height (fig 6-4).

Bolted Crates

These crates are designed for reuse with net weight ranging up to 16,000 pounds. These crates are designed with a size limit not to exceed 40 feet in length, 8 feet in width, and 16 feet in height (fig 6-5).

Sheathed crates

A sheathed crate is similar to an open crate except that the frame members are completely covered with sheathing material, such as lumber or plywood, fastened to the frame. This adds strength to the crate, prevents loss of contents, reduces pilferage, and prevents the direct entry of dirt, water, etc. The main difference between a nailed wood box and a sheathed crate is that the top, bottom, and side faceboards of a nailed wood box provides the main structural strength, whereas in a crate, the frame members sustain the load and provide the strength. Many sheathed crate designs exist in our military system; however, the designs selected for this section are considered to be the most widely and generally used (fig 6-6).

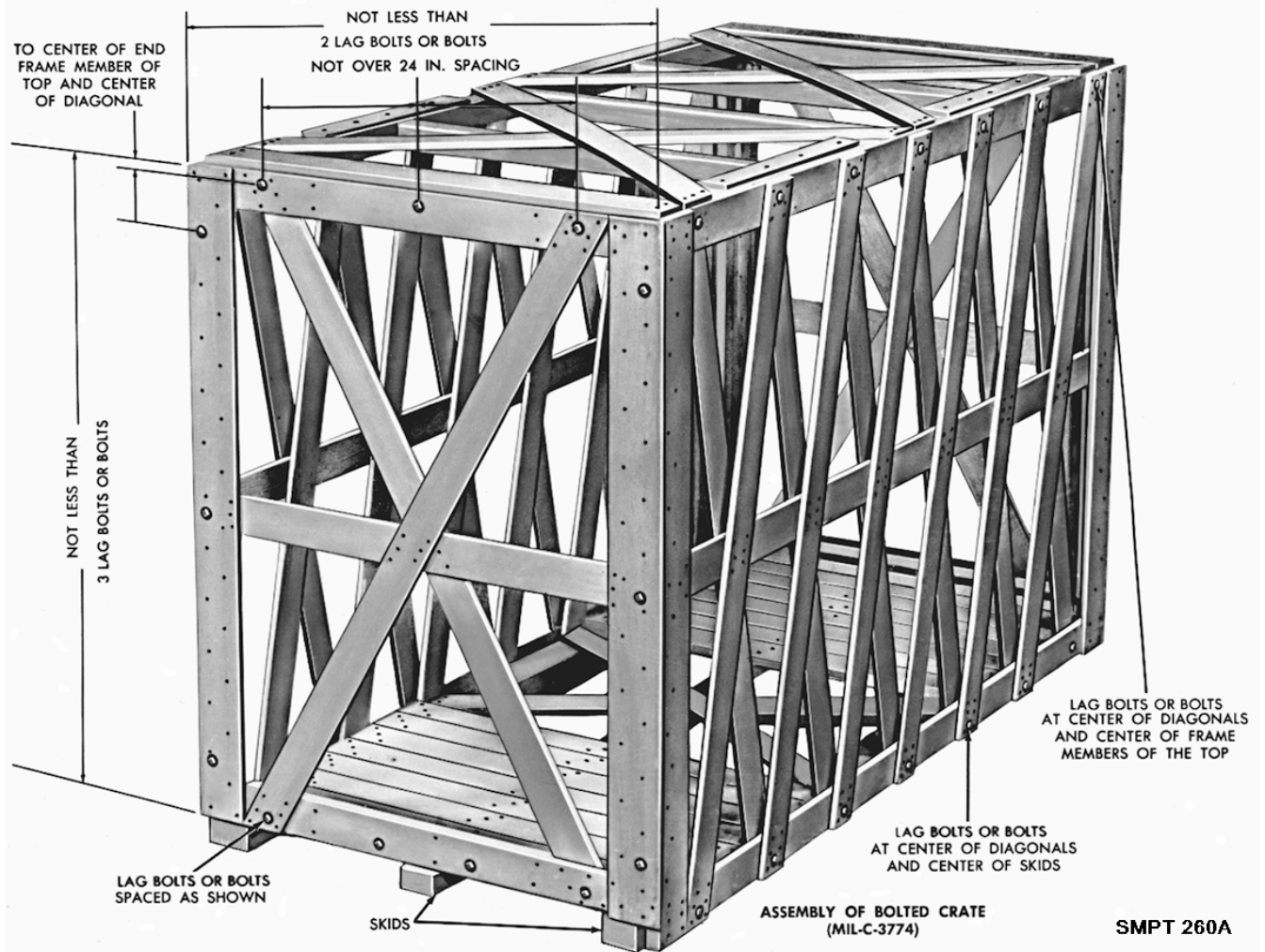


Figure 6-5. Assembly of open bolted crate (MIL-C-3774).

Sheathed Nailed Crates

These crates are not designed for reuse and are constructed in the same manner as bolted crates with minor exceptions. The crates should not exceed 30 feet in length, 9 feet in width, and 10 feet in height. The net weight of contents may range up to 30,000 pounds. These limitations may be exceeded, however, when the size and weight of the item require a larger crate.

Sheathed Bolted Crates

All bolted crates are designed for reuse. The size and weight limitations are the same as for the nailed crates.

Special Use Crates

Crates in this classification are of special design for specific items. These crates may be fabricated of metal or wood, either open, sheathed, nailed, or bolted. Crate dimensions and weight will vary depending upon the size, weight, and characteristics of the contents. Examples of special crates are illustrated in figure 6-7. The slotted angle crate (ASTM D6255) is an example of special metal crate which may be either open (Type I) or sheathed (Type II with either plywood, paper-overlaid veneer, or fiberboard. It may be fabricated without skids (Style A), or with skid blocks or skids with rubbing

strips (Style B). Both the open and sheathed Style A slotted angle crates are restricted to items not to exceed 200 pounds, with dimensions not to exceed 80 inches in length, 30 inches in width, and 48 inches in height, except when a specific design has been approved by the contracting activity. Both the open and the sheathed Style B carry up to 3,000 pounds and are limited to not over 30 feet in length, 4 feet in width, and 7 feet in height.

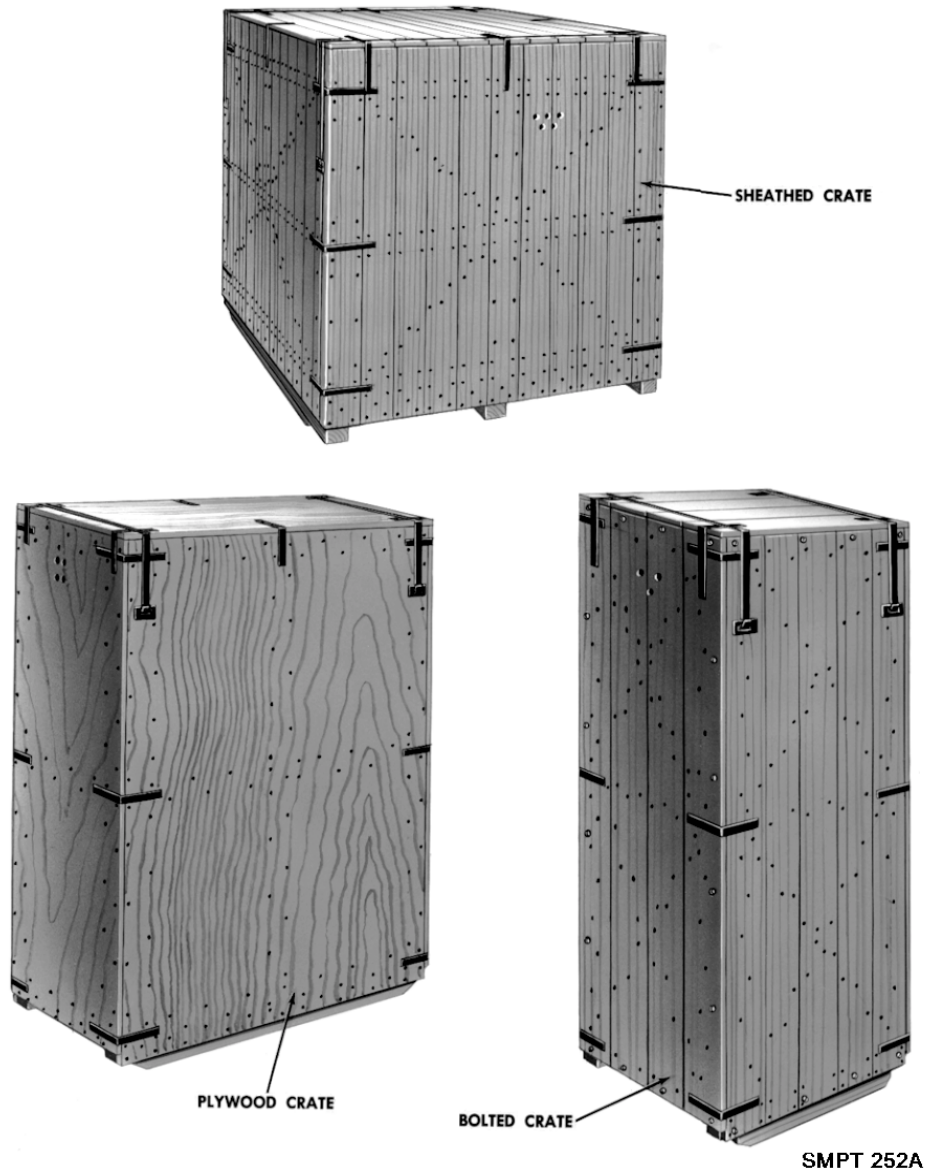
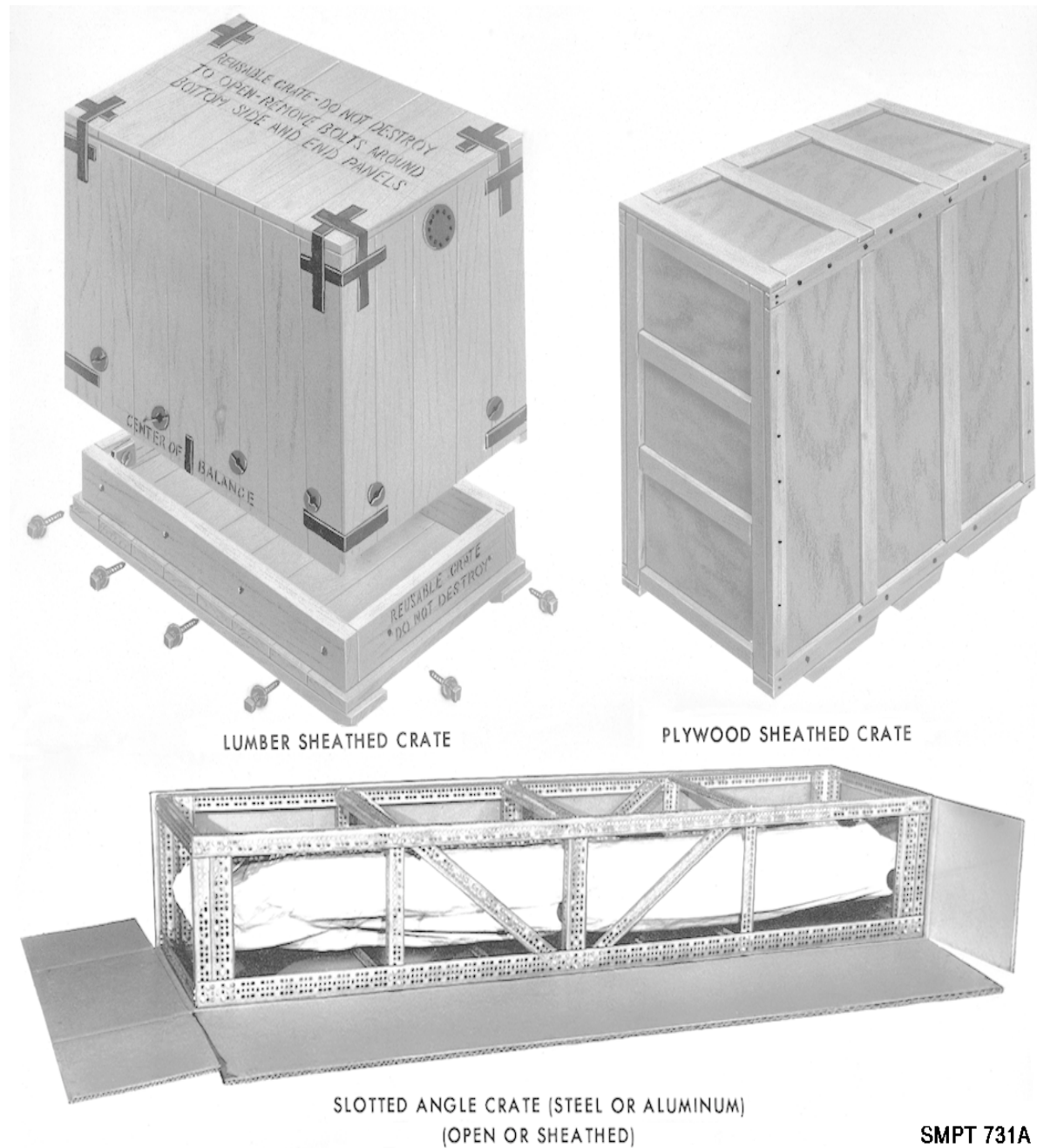


Figure 6-6. Sheathed crates.



SMPT 731A

Figure 6-7. Special use crates.

Criteria for Crate Design

Crates are selected instead of boxes for several reasons. The item may be too large to be shipped in a box. The weight of the item may exceed the weight limitations of a box specification. The item may not require complete enclosure for protection, yet it may require crating to facilitate storage and handling. Crates provide better facilities for clearances, blocking, bracing, and anchoring of the item. To select the proper crate for the item or items to be packed, it is necessary to consider certain basic factors that may influence the selection.

Size and Weight

Basically, it is desirable to design a crate not to exceed 30 feet in length, 9 feet in width, and 10 feet in height, with a weight limitation not to exceed 11,200 pounds. This maximum size and weight is indicated because the length of 30 feet will permit lowering the crate through the average ship's hatch without excessive tilting. The 9-foot width and 10-foot height is designed for the average width and clearance limits for transporting by rail on a standard flat car. Taking the weight factor into consideration will permit ease of handling by the average ship's hoisting facilities.

Degree of Disassembly

When determining the size, weight, shape, and strength, considerations should be given to partial disassembly of the item or its components to reduce the overall size of the crate. However, do not disassemble the item to the point where special tools or personnel are needed to reassemble it.

Weight Distribution

In designing crates over 5 feet in length, weight distribution becomes an important factor. Whenever possible, the center of gravity of the contents should coincide with the geometrical center (center of balance) of the loaded crate.

Anchoring of the Contents

A thorough study of the contents should be made in order to insure that provisions are made for anchoring the contents within the crate to prevent damage during handling and shipment. When necessary, use cushioning and padding at points on the item where blocking, bracing, or strapping is used to prevent movement. Bolts, steel strapping, iron bands, rods and lumber holddowns are acceptable methods for anchoring and supporting the contents (fig 6-8). Some items are designed with packing and shipping in mind and are provided with holddown features. If the item does not have these characteristics, utilize the stronger areas of the item for anchoring.

Clearance

Normally, a minimum of one-inch clearance is required between the contents and the nearest framing member of the sides, ends, and top. This clearance allows for the distortion and vibration to which the crate may be subjected during rough handling and transit. Items that are fragile in nature, or items within floating bag barriers (submethods 53 and 43) require from 2 to 4 inches of clearance. Additional clearance may be required for shock mounted items. Through careful design, it is often possible to allow protruding points of the item to extend between the joists, or the joists may be spaced, within specified limits, to accommodate these protrusions.

Types of Bases

The selection of a skid or a sill base will depend on the physical characteristics of the item to be crated.

Sill Bases

Sill bases (fig 6-9) are designed for items that can be supported above their lowest point. Examples are transmission housing engines and vehicles with brake drums projecting below the frame or axles.

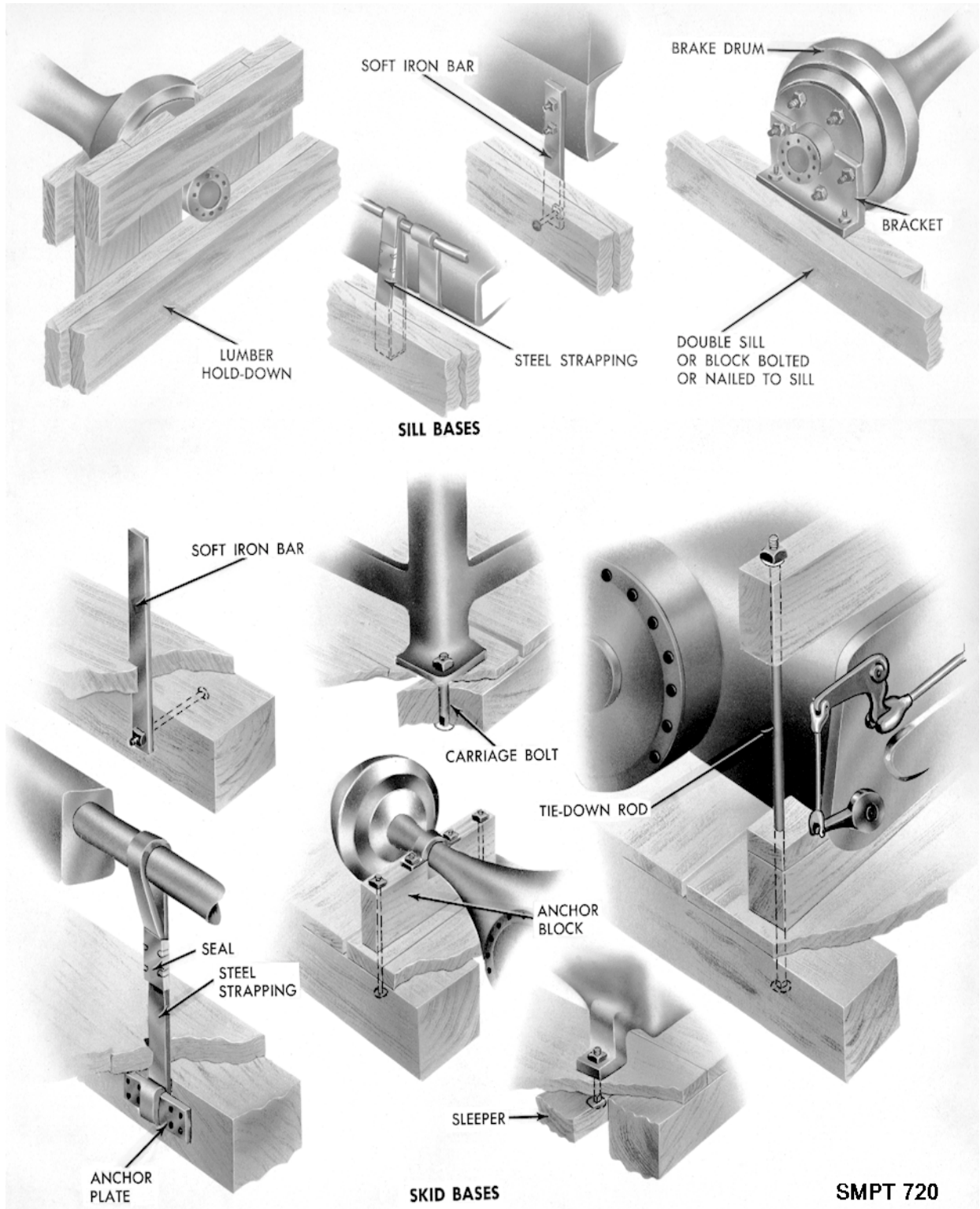


Figure 6-8. Methods of anchoring contents in crates.

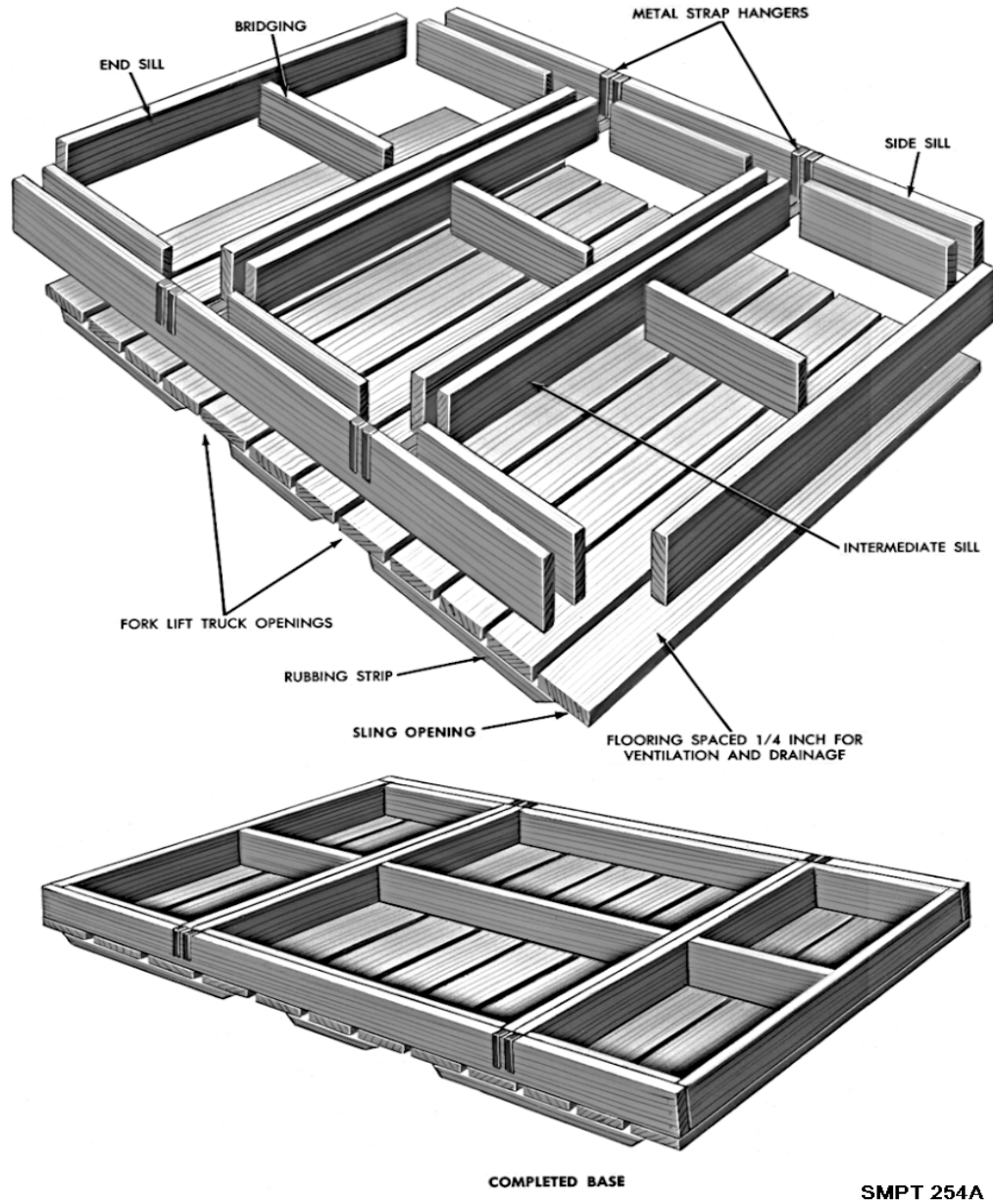


Figure 6-9. Sill base.

Skid Bases

Skid bases are designed to accommodate loads that can be supported on their lowest portion, or items that are made to rest flat on their bases. Skid-type bases are preferred in most cases; however, when the item must be supported above its lowest point, the use of a sill base will reduce the overall height of the crate. Savings in height should be more than 6 inches before substituting a sill base for a skid base (fig 6-10).

Engineering Factors in Crate Design

A crate is an engineered container. The use of sound engineering principles and actual tests of crates with contents has resulted in the following design requirements.

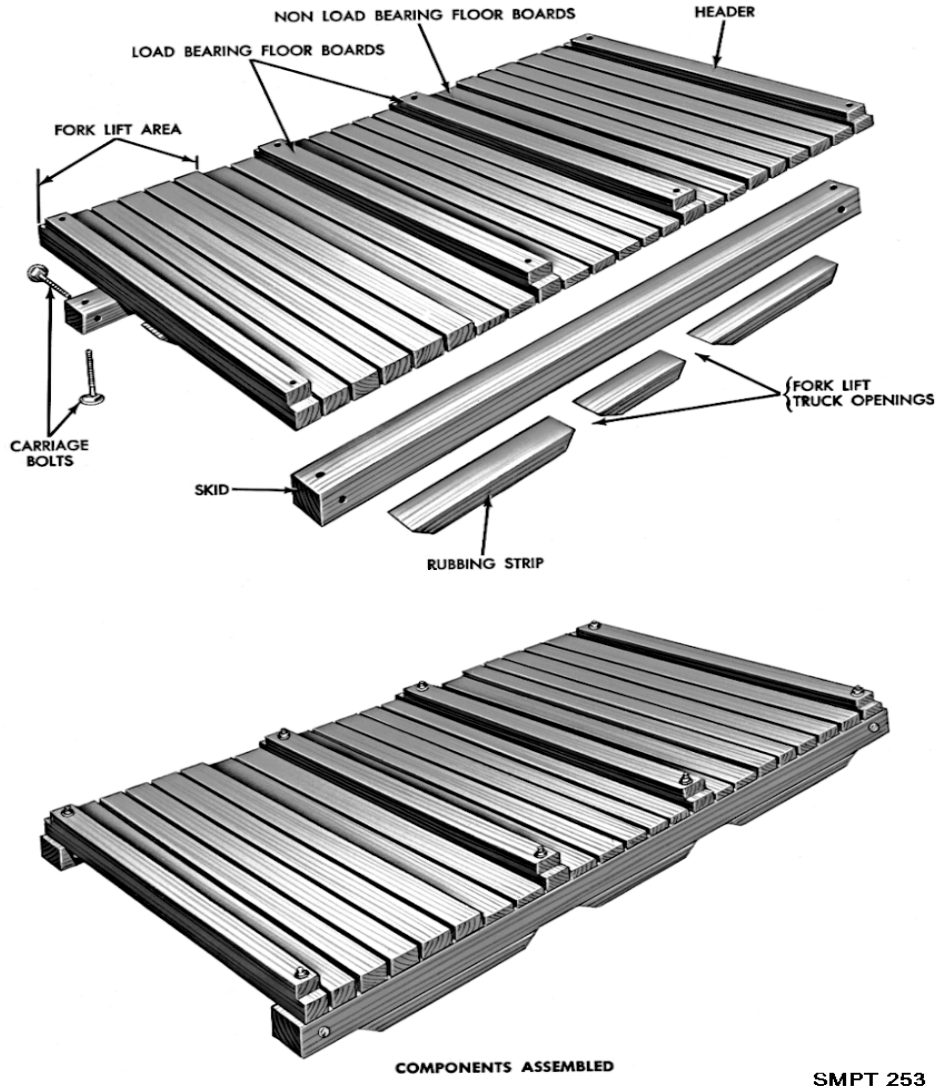


Figure 6-10. Skid base.

Tops

The top of a sheathed crate is designed to carry a uniform, well-distributed, superimposed load of 50 pounds per square foot. Top loading plus the span or width of the crate will determine the kind of top and the size of joist required to transfer the load to the sides.

Sides and Ends

For crate design, the side and end panels of sheathed crates are considered as trusses. The selection and size of members for the sides and ends are calculated on the bases of the span, height, and the amount of stress each member can withstand. These crate design factors are for sides having top loads, with dunnage, in the amount of 200 pounds per square foot, for net loads to 10,000 pounds. In addition, they may be designed for 400 pounds per square foot, for net loads over 10,000 pounds.

Bases

The base is treated as a unit and is designed to support the contents. In the engineering analysis, the skids of the base are considered as part of the lower frame members of the sides. The lower frame members and skids act together when the crate is lifted as a unit. This analysis allows the reduction of skid sizes, thereby saving materials and cube, but does not allow the handling of a loaded crate without the sides and ends in place. Skid sizes should be increased if it becomes necessary to raise or move the loaded crate without the sides and ends in place.

Load Factors and Handling and Storage Hazards

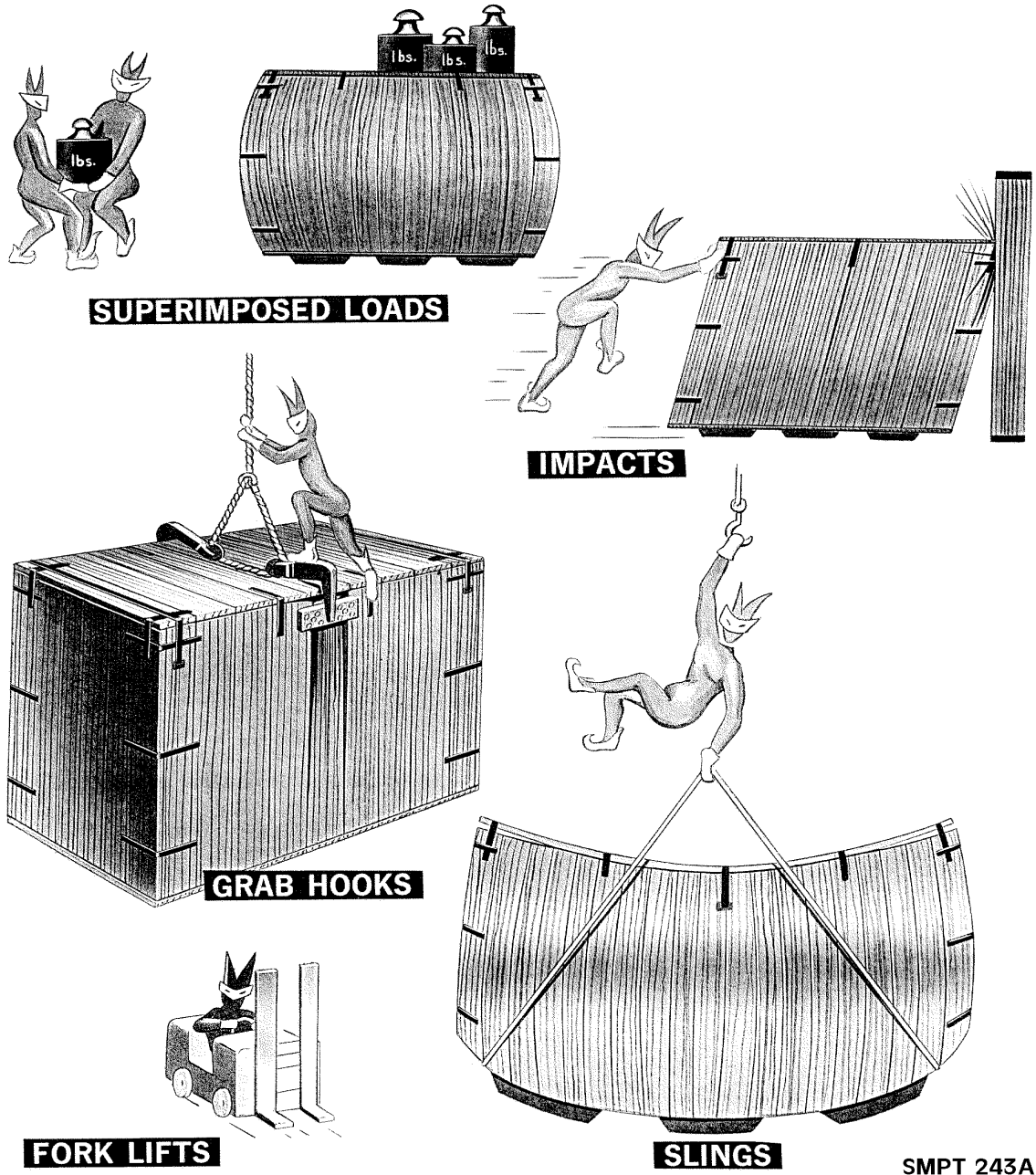
In addition to the external forces of superimposed loads and those imposed by the weight of the contents, crates are subjected to other hazards during handling and shipping. Crates are designed to be handled by forklift trucks, slings, and grabhooks (fig 6-11). In order to prevent crushing, the grabhook areas should be reinforced with additional material. For handling with forklift trucks, provisions are made to enter from the sides and ends without damaging the floorboards and contents. Forklift entry from the ends places stress on the headers, load bearing floorboards, and forklift members. Therefore, these members should be well secured with nails or bolts (fig 6-9 and 6-10).

Modes of Transportation

Crates may be shipped by rail, truck, plane, or ship. Some of the hazards involved in shipment are shock stresses and impact stresses resulting from sudden stops and starts. Vibration is also a shipping hazard. Crates shipped on open cars shall always be fastened securely to prevent any movement. In closed cars, there are several preferred methods of loading, some of which allow movement under controlled conditions. The preferred methods are the snubbed load, the floating load, and the rigid braced load. The method selected depends upon the fragility, size and shape of the item, and the center of gravity of the loaded crate. The snubbed load utilizes antiskid plates, while the floating load depends entirely upon the friction between the crate and the car floor. These loads are designed for items with a low center of gravity. The rigid braced loads utilize lumber and metal straps. This material should be applied in such a manner as to eliminate all movement. Shiploading involves stacking load stresses. Dunnage should be placed on top of crates, which have been designed to carry such loads.

Exposure and Storage

Sheathed crates will provide for long-term protection in exposed storage conditions. Open crates are designed for items that require very little protection from the elements. Sites selected for outside storage should be well drained in order to prevent water and moisture from entering the crate. Well constructed tops, proper drainage, and ventilation should prevent damage to the contents when stored under adverse conditions. Stacking stresses of superimposed loads are of major importance in storage. Open crates are designed to withstand superimposed loads in storage with additional dunnage placed on the top, transferring the load to the sides.



SMPT 243A

Figure 6-11. Resistance to forces.

CRATE MATERIALS

LUMBER

Lumber used in crate construction must meet the same rigid requirements as for other wooden containers. Lumber used in crate construction shall be free of defects that would materially weaken the container. Knots and divergence of grain (cross-grain) are probably the most common defects in lumber used for framing members, and will affect the strength of these members more than the sheathing boards. Knots or knot clusters that exceed one-fourth the

width of a structural member or that exceed one-third the width of a sheathing board, are prohibited.

Moisture content of lumber is an important factor and shall be not less than 12 percent nor more than 19 percent of its oven dry weight. Otherwise, shrinkage may occur and nail holding power may be reduced.

Divergence of grain (cross-grain) more than 1 inch in 10 inches in the length of a piece is prohibited.

The width and thickness of lumber used in fabricating crates are always minimum from a design standpoint. When nominal sizes are given in a crate specification, the actual minimum sizes will be as indicated in table 6-1.

Note. All lumber dimensions referenced in this section are nominal. Actual dimensions are so indicated when actual sizes are required.

Table 6-1. Minimum Thickness and Width of Lumber

Thickness in inches (smaller dimension)		Width in inches (larger dimensions)	
Nominal size	Minimum (actual)	Nominal size	Minimum (actual)
1	3/4	2	1-1/2
		3	2-1/2
2	1-1/2	4	3-1/2
3	2-1/2	5	4-1/2
4	3-1/2	6	5-1/2
5	4-1/2	8	7-1/2
6	5-1/2	10	9-1/2
7	6-1/2	12	11-1/2

Plywood (A-A-55057)

Plywood is used in crate construction for sheathing, for nonload bearing flooring, for tops, and gusset plates. While plywood is usually more expensive than lumber, it required no diagonals or crate liner material when used as sheathing, and a lighter, more economical crate may result from its use. Tests have shown that plywood is actually stronger than lumber, the dimensions being the same. When using plywood, select the standard size sheet stock that conforms closest to the crate dimensions, otherwise waste of material will result. The type of plywood selected will be on the basis of its intended use. Where prolonged exposure to the elements or attack by micro-organisms (mold, fungi, etc.) is expected, materials, must be selected that will withstand the extreme conditions.

Nails (ASTM F 1667-95)

Nails are used in the fabrication of the components for both nailed and bolted crates. They are also used in the assembly of nailed crates. The preferred types of nails used for crate assembly are the sinker, corker, or common. If these nails are not available, coolers or standard box nails may be used. Nails used for fastening plywood should be 14-gage with heads no less than 7/32-inch diameter.

Staples (ASTM F 1667-95)

Staples are sometimes used to fasten plywood sheathing to the framing members. When used for this purpose, staples should be made of 16-gage wire with a crown not less than one-half inch.

Bolts, Nuts, and Washers

Many types of bolts are used in crate construction. The most common types used are standard steel carriage, step, and machine bolts (fig 6-12). Bolt holes should be drilled the same size as the shank of the bolt. Plain washers should be used under the heads of the machine bolts and under all nuts. Special holding plates have been designed for use under the heads of square shank bolts to prevent turning. The use of plates is not mandatory. Counter-sinking of bolt heads is prohibited. The bolt threads projecting beyond the nut after tightening should be painted with hard drying preservative, unthinned paint or other similar material to prevent loosening.

Lag Bolts

Lag bolts are sometimes referred to as "lag screws". There are three types of lag bolts, Gimlet Point; Cone Point; and Cone Point, Fetter Drive (fig 6-12). There are two different types of heads, Hex head and Square head. Lag bolts are used to assemble the sides, ends, and tops of demountable crates. These bolts are prohibited for use as holddowns or to tie the headers and the floorboards to the skids. When using lag bolts for assembly, drill the lead hole to the same diameter as the shank, although the threaded portion may be larger than the shank. The size of the lead hole for the threaded portion will depend upon the group of wood used. When using lag bolts in soft woods, make smaller lead holes. Use plain washers under the heads and tighten firmly against the washer (table 6-2).

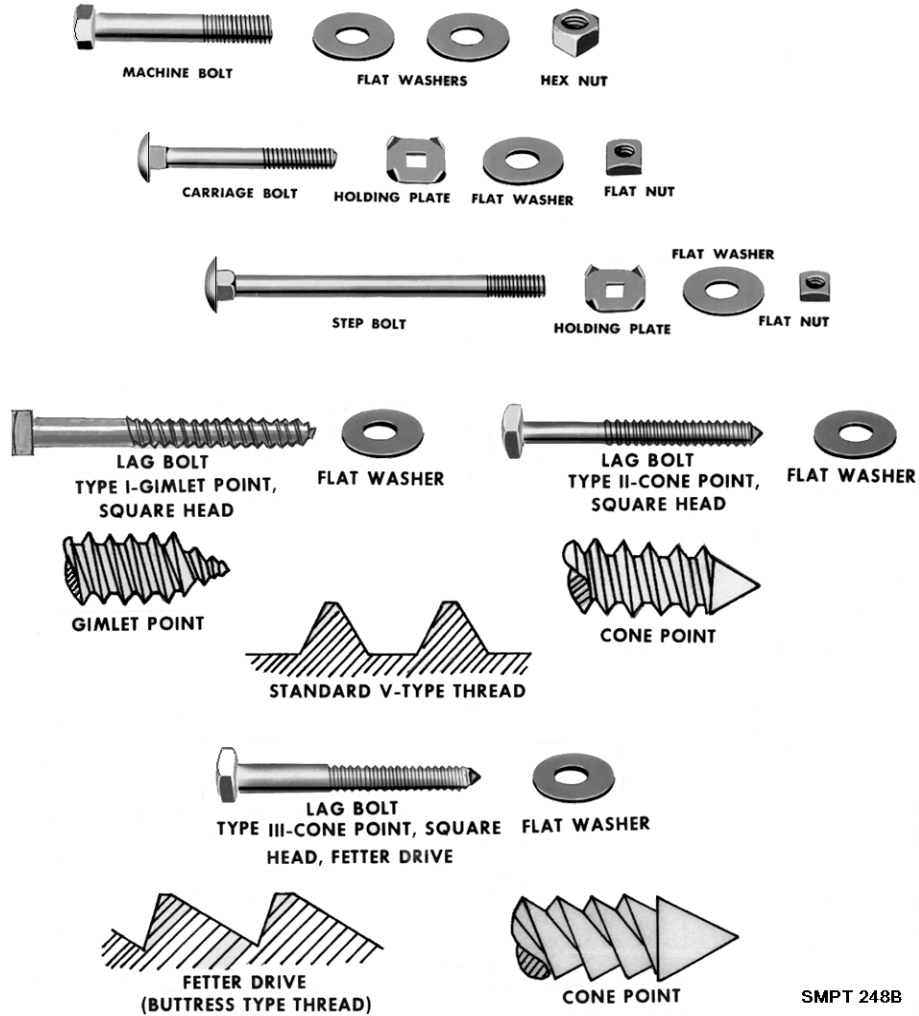
Note. Lag bolts should never be driven with a hammer. When power wrench is used, care must be taken that the bolts are not overdriven.

Nut Sleeve Assembly

A nut sleeve assembly, as illustrated in figure 6-13, may be used as an alternate for lag bolts in demountable crates. These bolts must be the same size as the fasteners they replace and are spaced the same distance apart.

Metal Strapping (ASTM D 3953 and ASTM D 4169)

Metal strapping is used for reinforcing crate corners, sill bases, securing tops, as lag bolts reinforcing straps for demountable crates, and for strengthening sill and load bearing headers for sill-type bases. It is also used to reinforce crate corners and the tops of open crates. Metal straps used for this purpose shall be Class 1 Type I or II, and not less than 3/4 x 0.028-inch (fig 6-14).



SMPT 248B

Figure 6-12. Bolts, screws, and accessories.

Table 6-2. Application of Lag bolts

Diameter of threaded portion of lag bolts	Diameter of lead hole	
	Groups I, II and III wood	Group IV wood
<i>Inch</i>	<i>Inch</i>	<i>Inch</i>
1/4.....	3/16	3/16
5/16.....	1/4	1/4
3/8.....	1/4	5/16
1/2.....	3/8	7/16
5/8.....	3/8	1/2
3/4.....	1/2	5/8

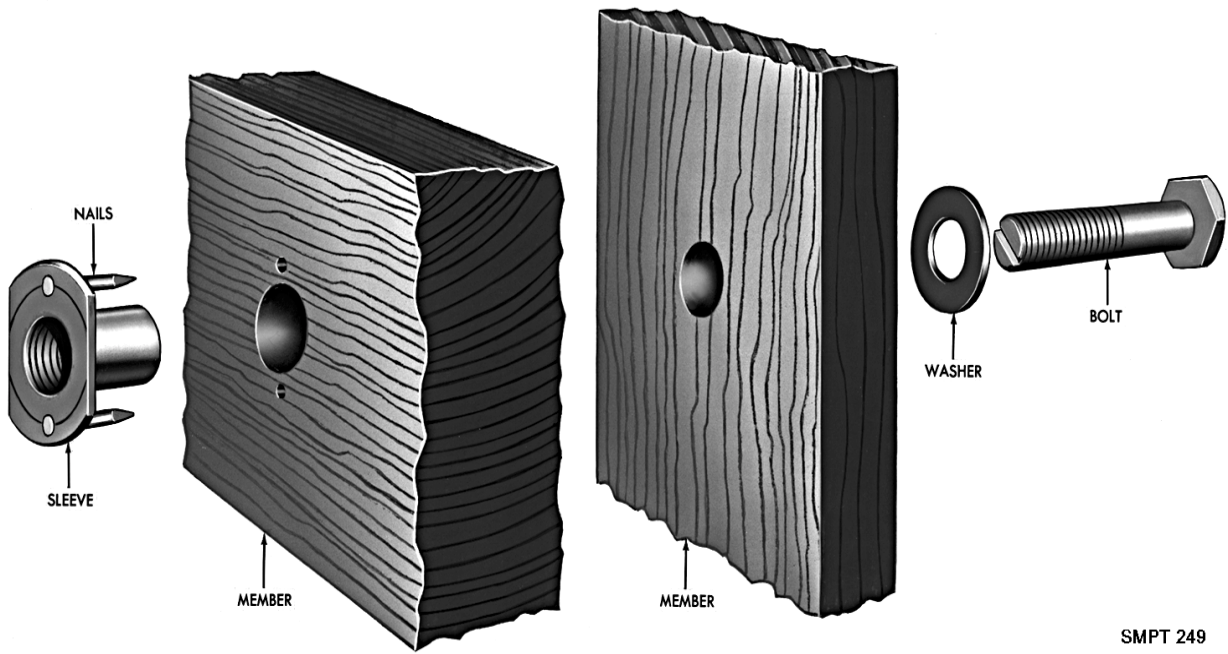


Figure 6-13. Nut sleeve assembly.

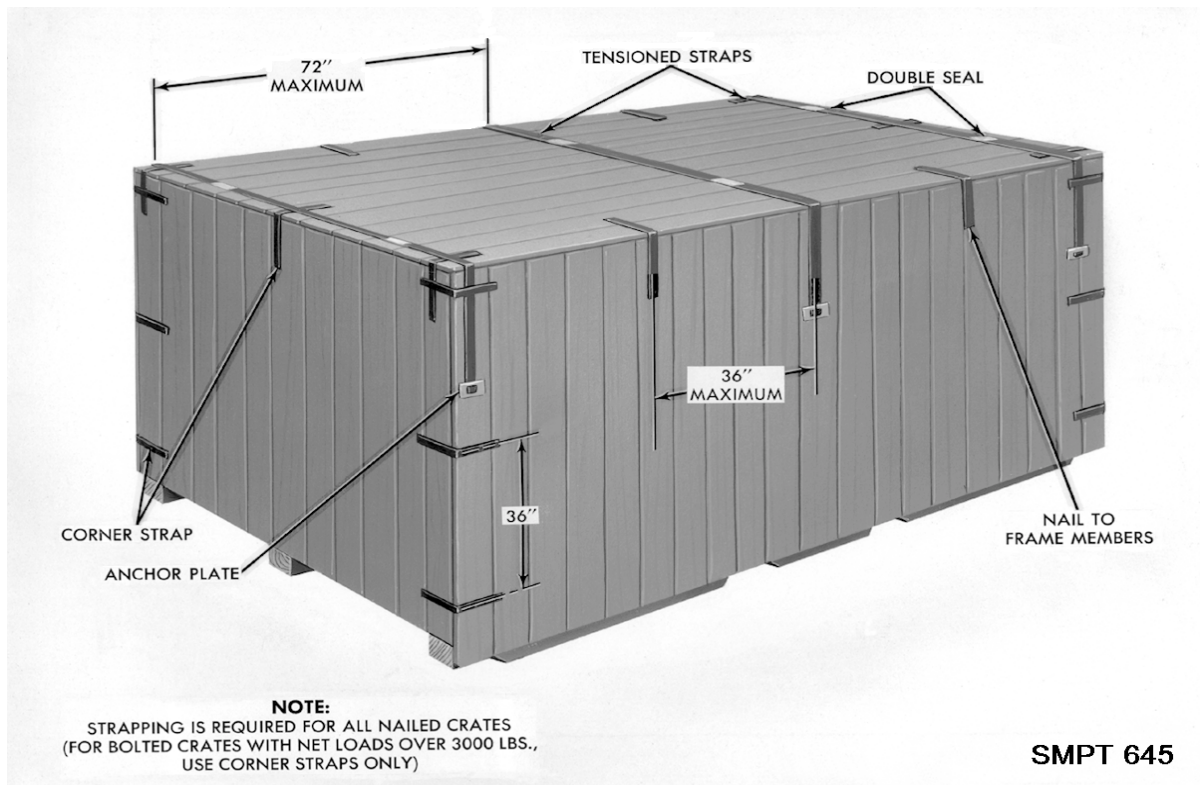


Figure 6-14. Tension and corner strapping.

Corner Straps

Metal strapping used for reinforcing tops, corners, and sill-type bases is usually annealed and predrilled for ease of application. This type of strapping is used on all nailed crates and on bolted crates with net loads over 3,000 pounds. The legs of the corner straps are usually 8 inches in length. They are nailed to the frame members with a minimum of three galvanized roofing nails, 1 1/4 to 1 1/2 inches long. The straps are spaced no more than 36 inches apart.

Tension Straps

Tension straps are used to secure the top to the sides of the crate by anchor plates, which are nailed to the frame members. The straps are drawn tight with a tensioning device and held in tension with two seals. Tension straps are spaced no more than 6 feet apart.

Lag Bolt Reinforcing Straps

This strap is fabricated from galvanized steel and is used on the side and end panels of many demountable crates to prevent the lag screws from tearing through the sheathing as the crate is lifted. The strapping material is prepunched or predrilled. Lag bolts 3/8 inch in length require 1 1/4 X 0.035 inch straps. For 1/2 inch and 5/8 inch lag screws, 2 X 0.050 inch straps are needed. Nail these straps to the lower inner face of the sheathing between the lower edge of the bottom frame member and the bottom of the sheathing. Locate them to coincide with the center of the skids and headers. Use clout or similar nails to secure the strapping. Space the nails a maximum of 2 inches on center and clinch at least three-fourths of an inch (fig 6-15).

Metal Hanger

Metal hangers are used for reinforcing joists of tops, load bearing headers, and intermediate sills on sill-type bases. Hangers are fabricated from steel straps 1 1/4 X 0.035-inch. The strapping material is prepunched or predrilled. When used to reinforce load bearing headers or intermediate sills, eightpenny nails are used to secure straps in place, followed by driving from two to four twentypenny nails into the end-grain of the holding member (fig 6-16).

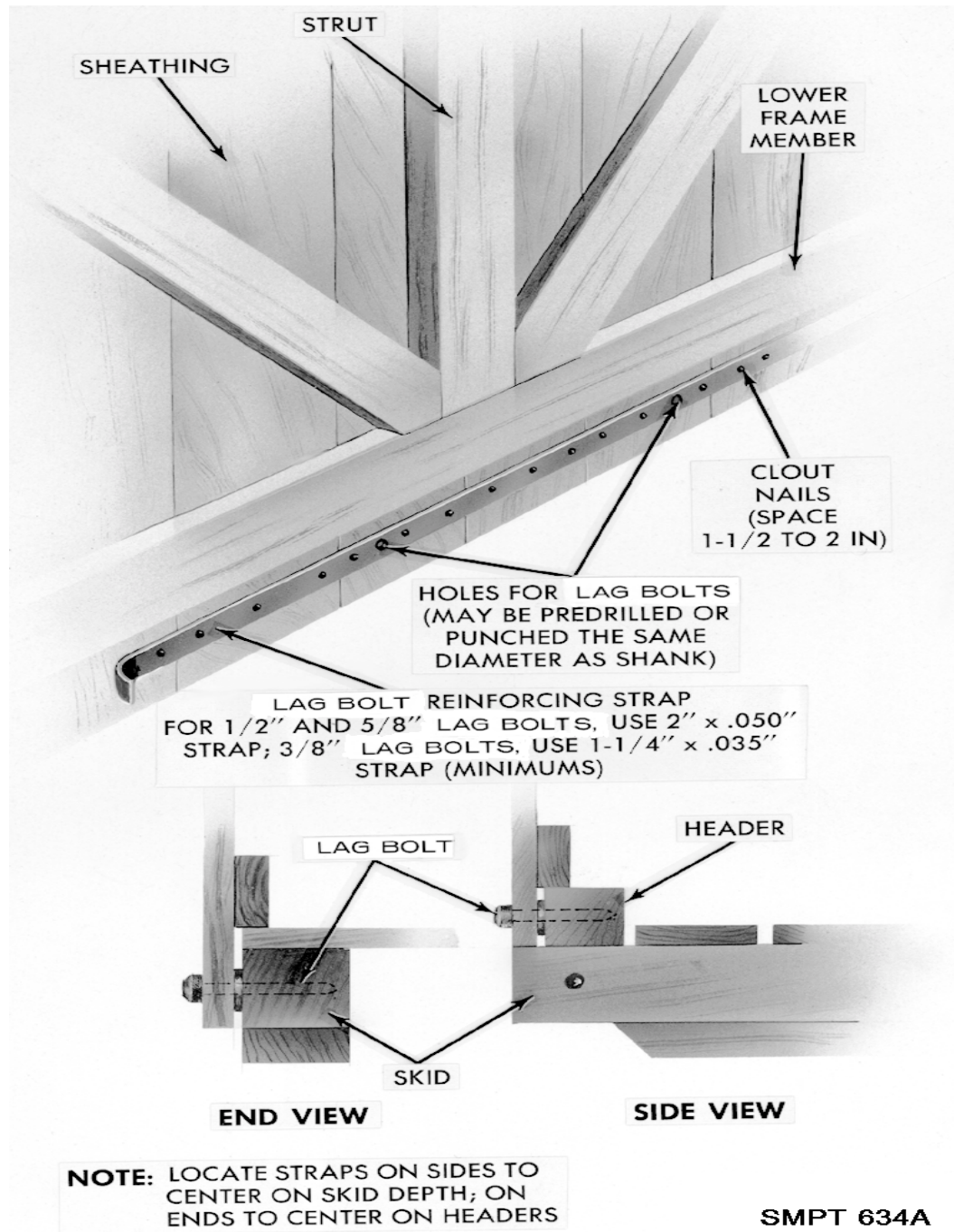


Figure 6-15. Lag bolt reinforcing strap.

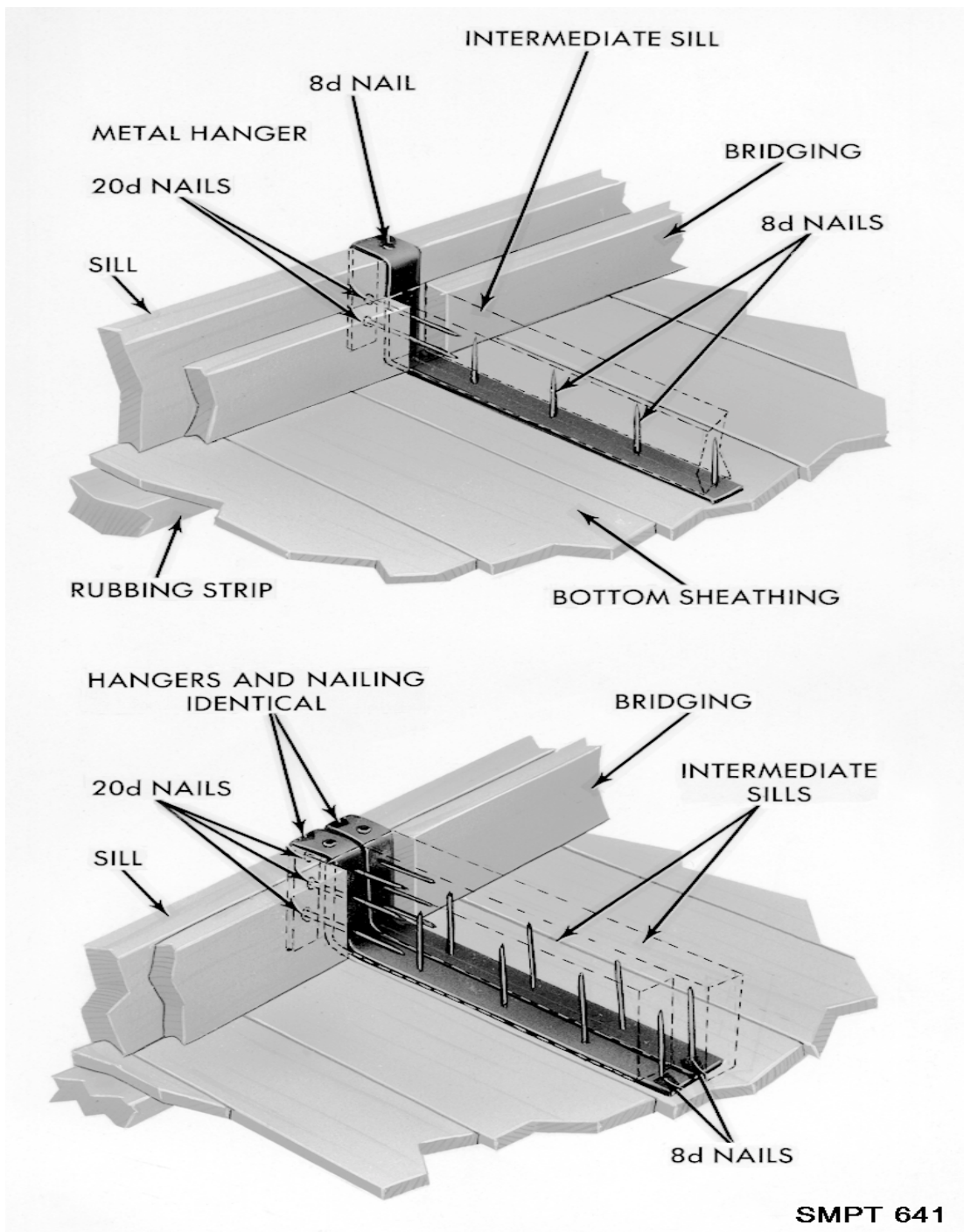


Figure 6-16. Use of metal hangers.

Sill Base Straps

In addition to the straps applied to other areas of the crate, sill bases must be reinforced with 3/4 X 0.028-inch metal straps (fig 6-17). Use a minimum of three galvanized roofing nails 1 1/4 to 1 1/2-inch long in each leg of the strap. Locate all nails to penetrate a framing member.

Waterproof Liners and Shrouds (PPP-B-1055)

This waterproof barrier material is made by laminating layers of kraft paper with asphalt. Seven different classes of materials may be used for crate liners. The most common classes used are E-1, E-2, and C-2. This material, when used as a liner, is placed horizontally between the sheathing and the frame members of the sides and ends. If more than one width of material is required, use a minimum of 4-inch shingle lap for proper drainage. The barrier should cover the entire framed area (fig 6-18) and 6-19). When vertical joints are required, the 4 inch lap will be located at a vertical member. Liners are not required for plywood sheathed crates. Interior shrouds, large bags, or envelopes fabricated from waterproof barrier material are used in open crates to cover items which require additional protection. All sharp projections of the item should be cushioned or padded to prevent puncturing the material. The class of material to use is optional, although the most common class is E-2. All joints in the material are made by using MMM-A-260 adhesive. Shrouds should hang free of the item to provide proper ventilation and should extend to within 6 inches of the bottom of crate. Material conforming to Specification L-P-378 may also be used for interior shrouds. This material is constructed of polyethylene and does not contain asphalt (fig 6-18 and 6-19).

Roofing Felt

Roofing felt is used in the construction of tops for sheathed crates. This material should have a smooth uncoated surface with a minimum weight of 45 pounds per square (a square is an area of 10 feet by 10 feet, or 100 square feet). The material is placed between the outer lumber sheathing and inner plywood sheathing of the top as illustrated in figure 6-60. When a joint is required, overlap the felt 4 inches and seal with a non-hardening caulk or mastic compound. As an alternative, polyethylene film, not less than 4 mils thick, may be used in place of roofing felt.

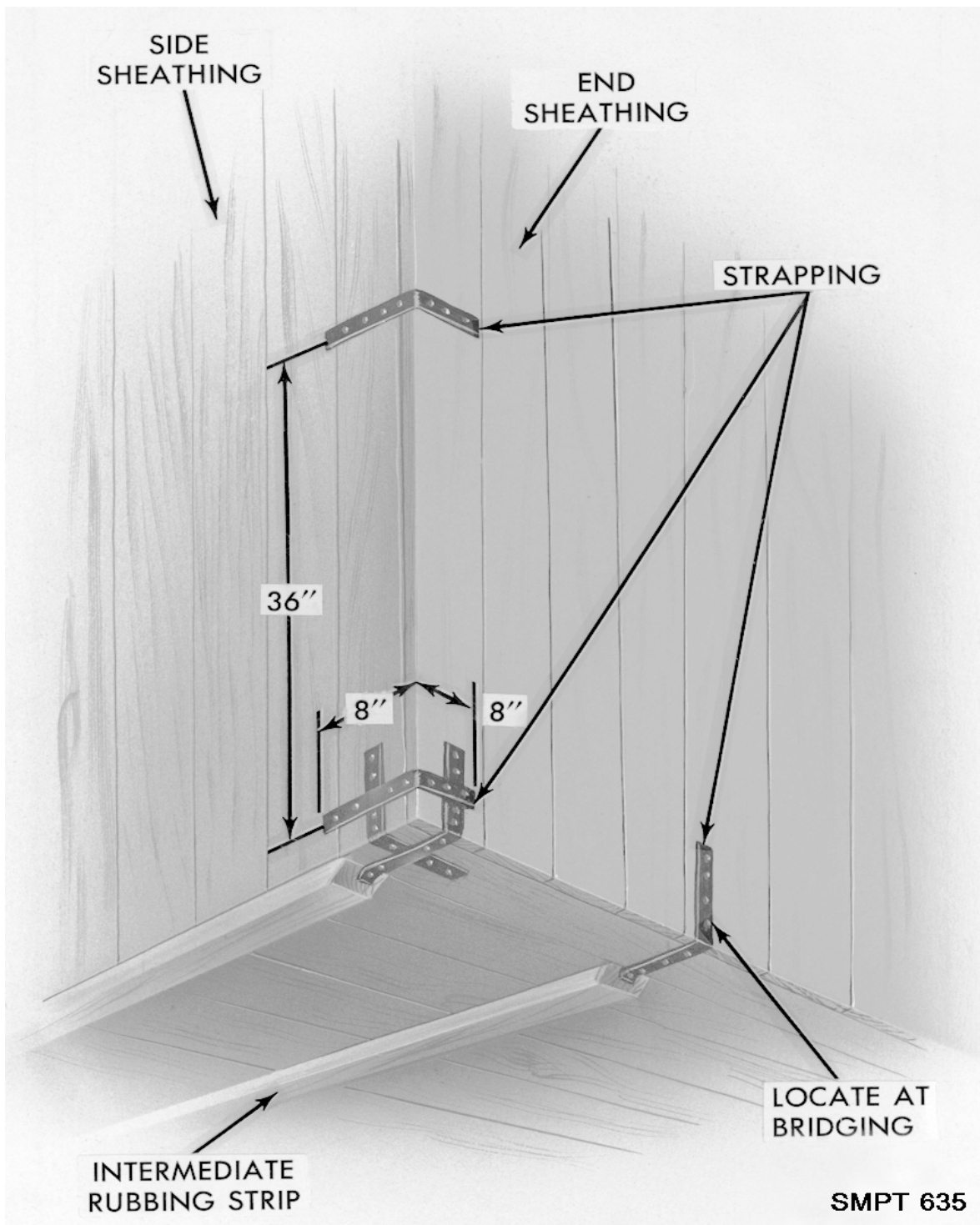


Figure 6-17. Application of strapping (sill base).

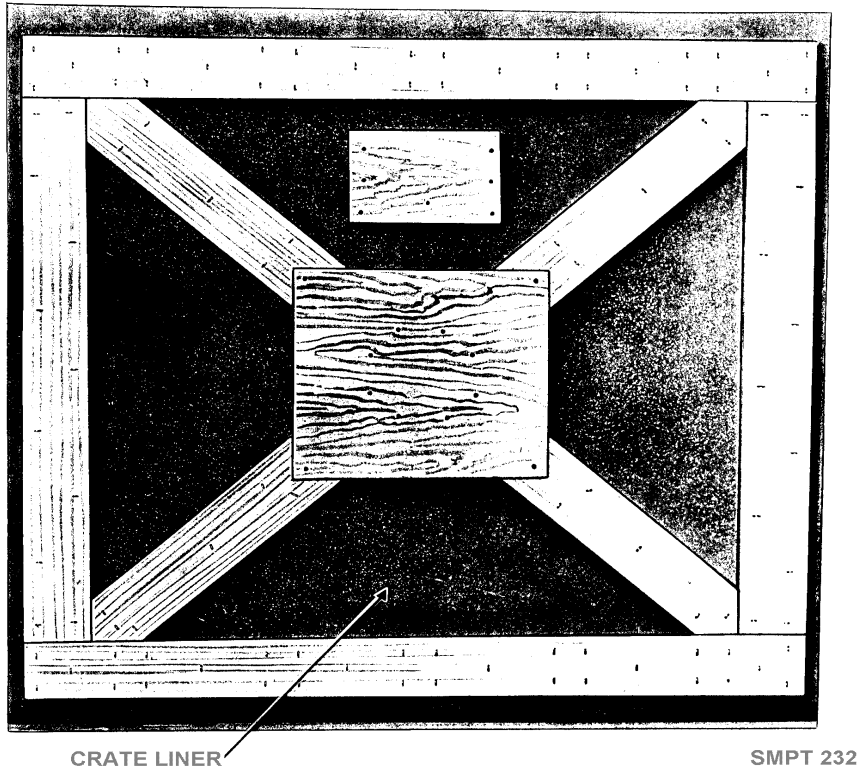


Figure 6-18. Crate liner.

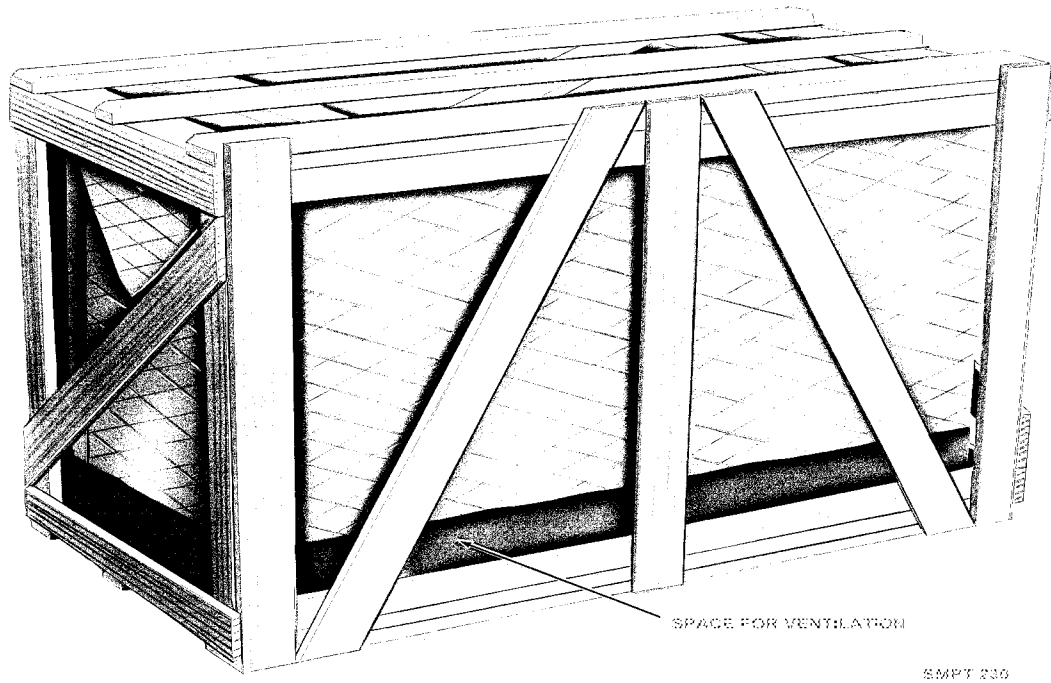


Figure 6-19. Interior shroud.

Screens and Ventilators

Screens are fabricated from heavy rust-resisting wire of 1/4 or 3/8 inch mesh and used over ventilating and drainage holes to prevent entry of birds, insects, rodents, or other animals. Ventilators fabricated from metal are sometimes used over ventilating holes. Some of the most common methods are illustrated in figure 6-49.

Inspection Doors

When inspection doors are required, they are made without cutting into the framing members. Doors are fabricated from the same material as the sheathing. Hinge at the top and fasten with lag bolts or wood screws at the sides and bottom (fig 6-20). Make cleats and stops from 1-inch material. Drill holes through the door and adjacent frame member to provide for a seal wire and lead seal bearing the inspector's stamp. The size and location of the doors will vary with the nature of the item.

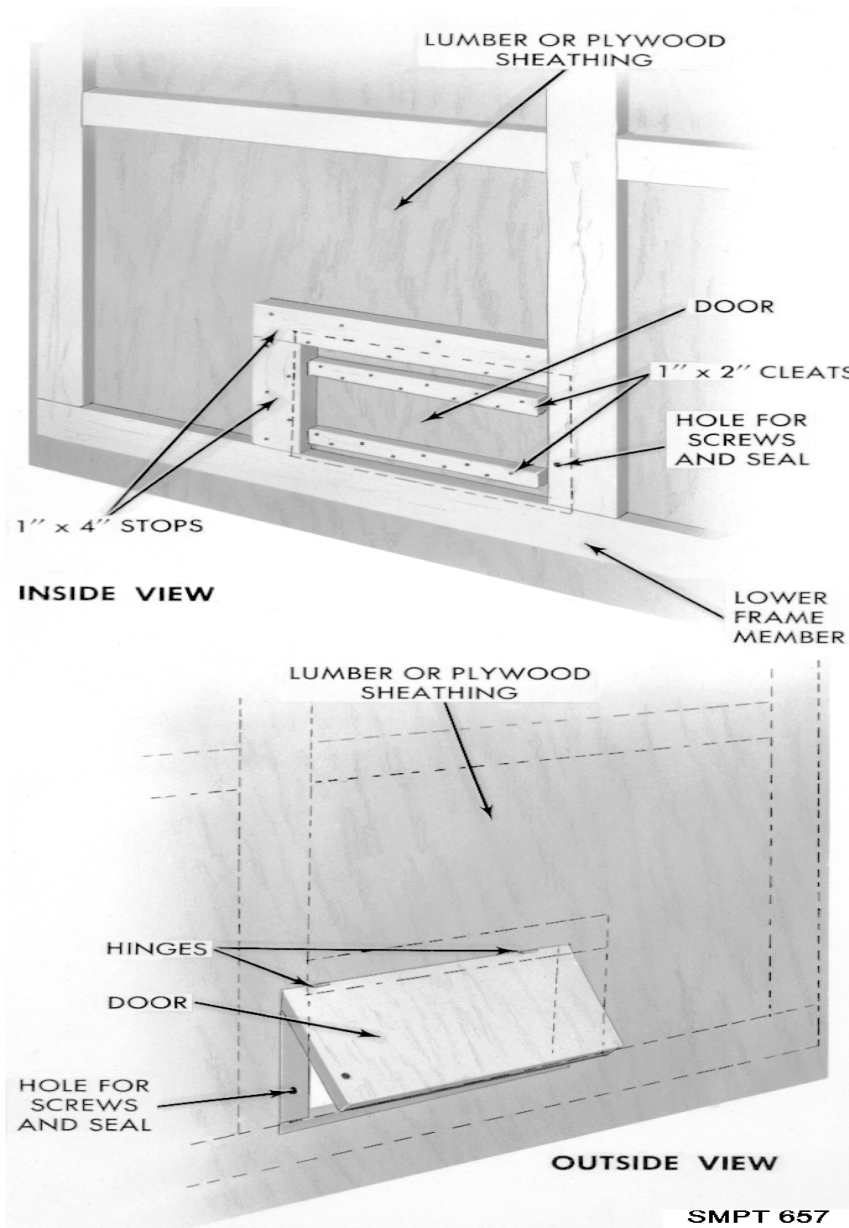


Figure 6-20. Crate inspection door.

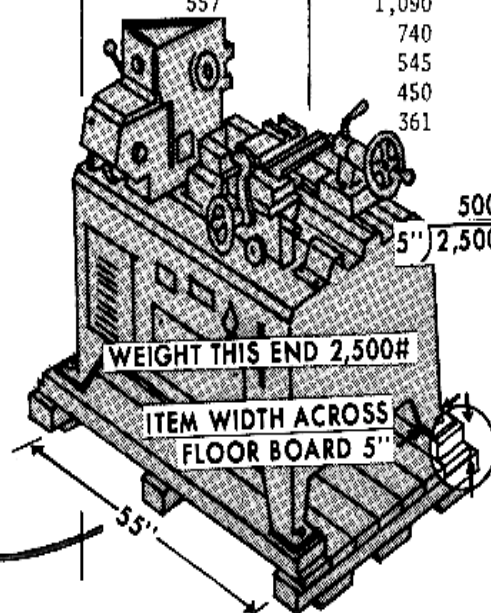
WOOD CRATES, OPEN AND COVERED, MIL-C-52950 (GENERAL)

CRATE DESIGN

Open wood crates described in this section are designed for general use and are employed for both domestic and oversea shipments. Only items which are not readily damaged from outside forces and which require limited protection should be shipped in open crates. Usually, items which are designed for outdoor use or of rugged construction are shipped in open crates. When there are a variety of items to be shipped, each crate will be designed for each item with the necessary clearance for blocking, bracing, and cushioning (fig 6-21).

**ALLOWABLE LOAD PER INCH OF FLOORBOARD
WIDTH OF GROUPS I AND II WOODS (MIL-C-52590)**

LENGTH BETWEEN SKIDS (IN.)	THICKNESS OF LOAD BEARING FLOORBOARDS (IN.)				
	1"	3"	4"	6"	8"
	pound	pounds	pounds	pounds	pounds
12	50	557	1,090	2,690	4,680
18	34		740	1,790	3,140
24	25		545	1,350	2,330
30	20		450	1,150	1,870
36	17		361	895	1,560
42	15			767	1,335
48	12			671	1,170
54	11			596	1,039
60	10			537	936
66	9			488	850



¹If group IV woods are used, the above allowable loads may be increased by 20 percent.
²Wood thicknesses shown are actual nominal thicknesses.

JMPTC 2983

Figure 6-21. Use of table to determine thickness of load bearing floorboards.

Classification

Crates fabricated or procured under MIL-C-52950 on the basis of weight, size, and construction features, as indicated in table 6-3.

Wood Requirements

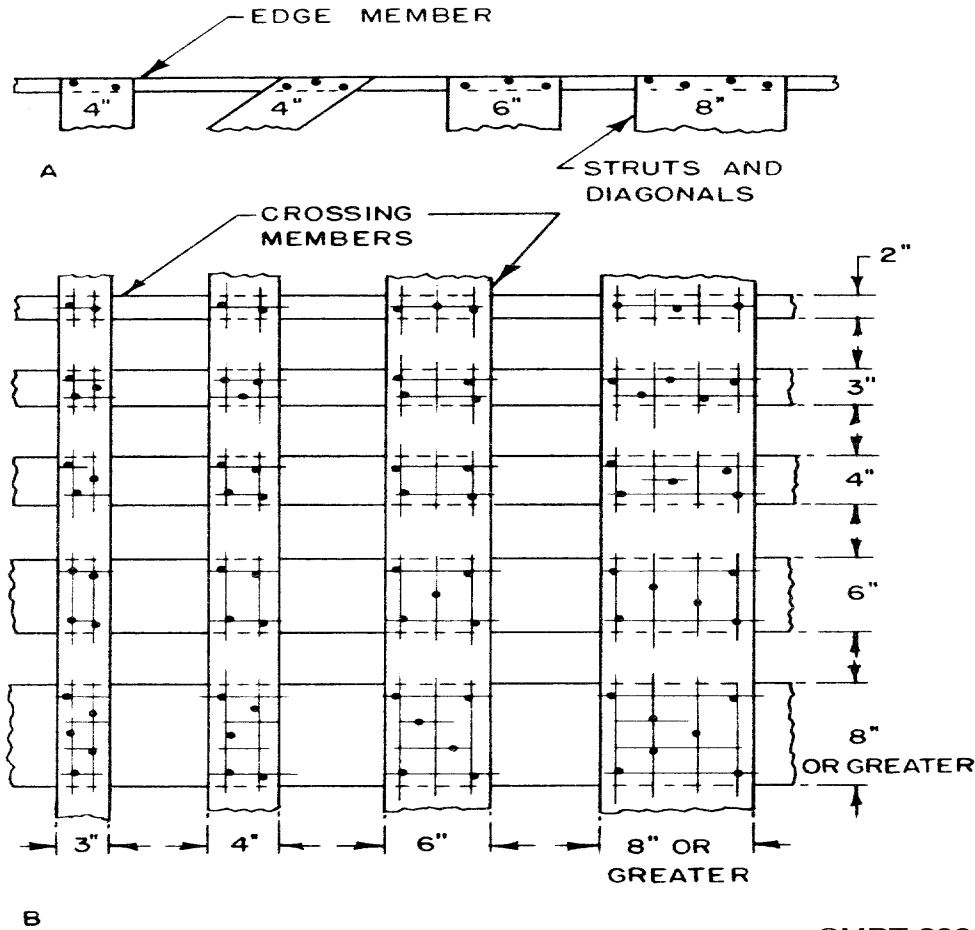
The divergence of grain (cross-grain) should not exceed one inch in ten inches of length. Plywood, when used, will conform to A-A-55057.

Nails and Nailing

Nails used shall be sinkers, coolers, corkers, or common. For fastening covering materials to members, nails shall be not less than 1 inch long but shall not exceed the sum of the thickness of the covering material and member. Nails sizes specified for the fabrication of the various crates are based on Groups I and II woods.

When group III or IV woods are used, nail sizes may be onepenny size smaller than those specified. The patterns to be used for the nailing of two flat pieces of lumber shall conform to the details shown in figure 6-22. Unless otherwise specified herein, the following requirements shall determine size, placement, and quantity of nails.

- All adjacent crate members shall be securely fastened to each other, either directly or by means of the covering.
- All nails that are not to be clinched shall be cement coated or mechanically deformed (spiral or round threaded).
- Nails shall be driven through thinner member into the thicker member wherever possible.
- When the flat faces of pieces of lumber are nailed together and the combined thickness is 3 inches or less (except for top joints and covering material), nails shall be long enough to pass through both thicknesses and shall be clinched not less than 1/4 inch nor more than 3/8 inch.
- When the flat faces of lumber are nailed together and the combined thickness is more than 3 inches or when the flat face of one or more pieces is nailed to the edge or end face of another, nails shall not be clinched. The portion of the nail in the thicker piece shall not be less than 2 times the length of the nail in the thinner pieces for tenpenny nails and smaller, and not less than 1 1/2 inches for twelvepenny nails and larger.
 - o When splitting occurs with the use of diamond point nails, the nails shall be slightly blunted. When blunting does not prevent the splitting, holes slightly smaller than the diameter of the nail shall be drilled for each nail.
 - o Nails shall be driven so that neither the head nor the point projects above the surface of the wood. Occasional overdriving will be permitted, but nails shall not be over-driven more than one-eighth the thickness of the piece holding the head.



SMPT 2985

Figure 6-22. Nailing patterns. (All widths nominal). Similar patterns shall be used when boards cross at angles other than 90°.

Table 6-3. Classification of MIL-C-52950 Crates

Type	Style A - Heavy Duty				Style B - Light Duty			
	Maximum net load	Maximum Inside Dimensions			Maximum net load	Maximum Inside Dimensions		
		Length	Width	Height		Length	Width	Height
	(pounds)	(feet)	(feet)	(feet)	(pounds)	(feet)	(feet)	(feet)
I	250	4	3	3	200	4	3	3
II ¹	1000	12	4	2	NO STYLE B			
III	NO STYLE A				No load or size restriction except as limited by handling methods.			
IV	1000	6	4	4	NO STYLE B			
V ²	2500	12	6	6	4000	32	6	10

¹Items such as ladders, tubing, and extrusions weighing less than 200 pounds and not exceeding 20 feet long, 3 feet wide, and 2 feet high may be packed in Type II crates.

²Type V, Styles A and B crates shall be further classified as being nondemountable or demountable. Type V, Style B crates may be open or covered.

- o Nails shall be positioned not less than the thickness of the piece from the side end nor less than one-half the thickness of the piece from the edge of the lumber whenever possible. Nails driven into the side edge of the lumber shall be centered on the side edge.
- o When two members having parallel grain are attached, the number of rows of nails shall be determined by the nominal width of the surfaces in contact, one row for widths up to and including 2 inches, two rows for widths greater than 2 inches but not greater than 6 inches, and three rows for widths over 6 inches.
- o When plywood is nailed to cleats, nails shall be spaced not more than 4 inches apart on centers placed in staggered rows which are less than 1 3/4 inches apart or less than 3/4 inches from the edge of the cleat.

Staples

The crown of the staples used for fastening covering materials for frame members shall be not less than 3/8 inch. The length of the staples shall not exceed the sum of the thicknesses of the covering materials and the frame member; however, staples shall be not less than 1 inch in length.

Bolt application

Holes shall be prebored to receive carriage bolts and shall be the exact diameter of the bolt. The lead holes for lag bolts shall be the same diameter as the shank, even though the threaded portion may have a greater diameter than the shank.

Splices

Splices and butt joints made in frame members and skids of long crates shall be as shown in figure 6-23.

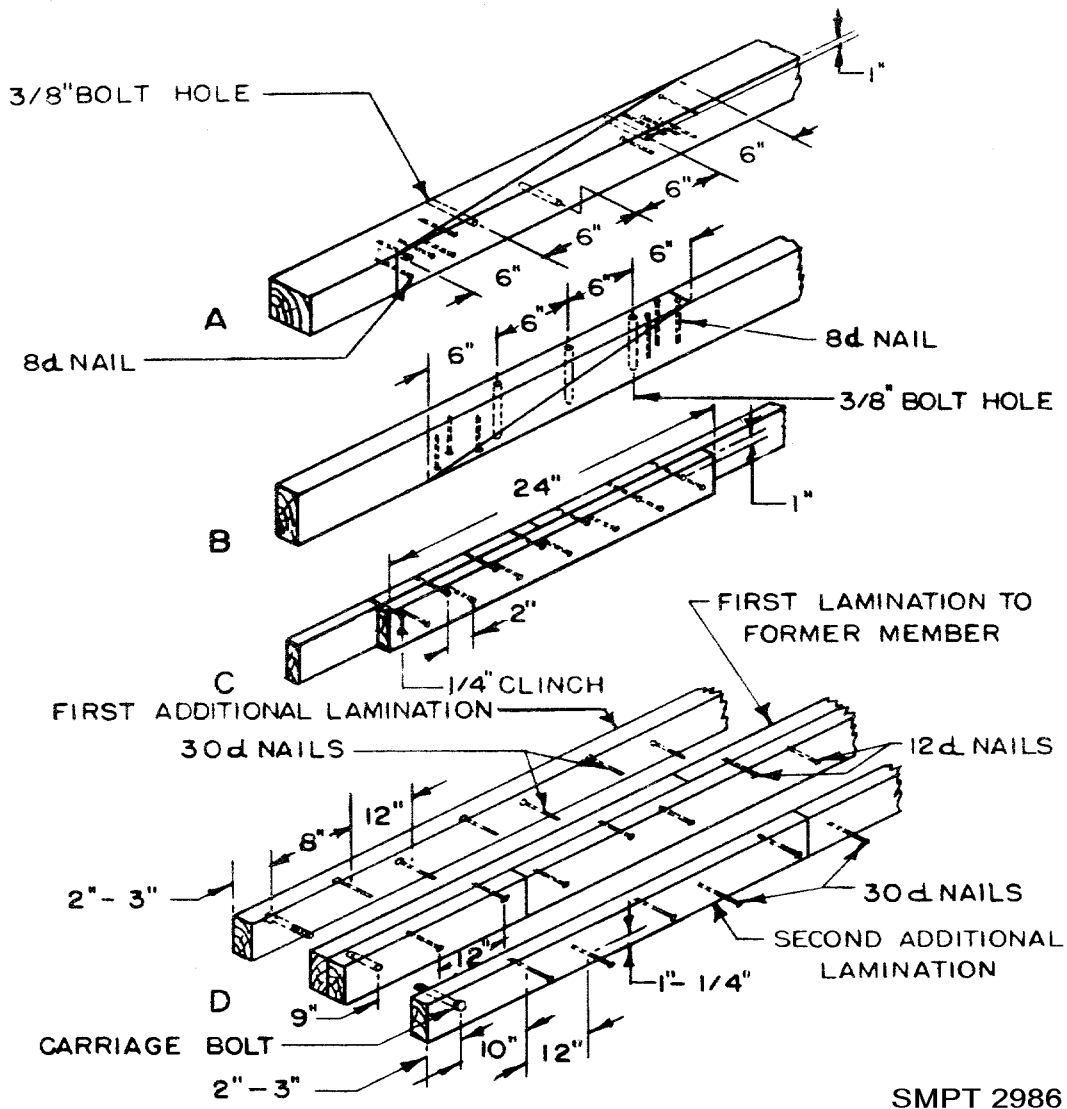


Figure 6-23. Splicing of members: A, splice of 4 x 4 inch or 4 X 6 inch skids; B, splice of 2 inch member; C, splice of 1 inch member; D, lamination of skid.

TYPE I, STYLE A - HEAVY DUTY CRATE (MIL-C-52950)

DESIGN REQUIREMENTS

Load and Size Limitations

Limitations shall be as specified in table 6-3.

Style A crates shall be used only for items forming a Type I load and weighing not more than 250 pounds.

Base

Skids

The skids shall be 2 by 4 inch lumber.

Diagonals

Diagonals shall be 1 by 4 inches in size.

End Floor Members

End floor members shall be the same thickness and width as the skids except when used as loadbearing members; their size shall be as specified in table 6-4. End floor members shall be bolted to each skid with 3/8-inch diameter carriage bolts.

Rubbing Strips

Single piece rubbing strips used on each skid shall be a minimum 3 by 4 inches in size and beveled at each end at an angle of 45 degrees for at least one-half their thickness. The length shall be less than the skid length to allow open space at each end for sling and fork lift handling. The open space shall be not less than 4 inches and not more than 10 inches long. On crates over 36 inches long, the rubbing strip length shall be adjusted to provide a distance of not more than 28 inches between end openings.

Side, End and Top Panels

All members of the side, end and top panels shall be 1 by 4 inch lumber. Nailing patterns shall be as specified in figure 6-22.

ASSEMBLY

Assembly of the crates shall be as shown in figure 6-24 and as specified herein. The sides shall be fastened to the base by nailing the extensions of the vertical struts and diagonals to the skids with eightpenny nails. The ends shall be fastened to the base by nailing the lower edge member of the panels to the end floor member with eightpenny nails spaced 6 to 8 inches apart. The sides shall be fastened to the ends by nailing the end vertical struts of the sides to the vertical struts of the ends with eightpenny nails spaced 8 to 10 inches apart. The sides shall be fastened to the top nailing the extensions of the diagonals and vertical struts of the sides to the longitudinal members of the top with eightpenny nails. The top shall be fastened to the ends by nailing the extensions of the longitudinal and diagonal members of the top to the upper edge member of the ends with eightpenny sinker nails. The upper edge members of the ends shall be nailed to the edge lateral members of the top with eightpenny sinker nails spaced 8 to 10 inches apart.

TYPE I, STYLE B--LIGHT DUTY CRATE (MIL-C-52950)

DESIGN REQUIREMENTS

Load and Size Limitations

Limitations shall be as specified in table 6-3.

Style B crates shall be used only for items forming a type I load and weighing not more than 200 pounds.

Frame Member Size

All frame members shall be 1 by 3 inches in size for net loads up to 100 pounds by 1 by 4 inches in size for loads between 100 to 200 pounds.

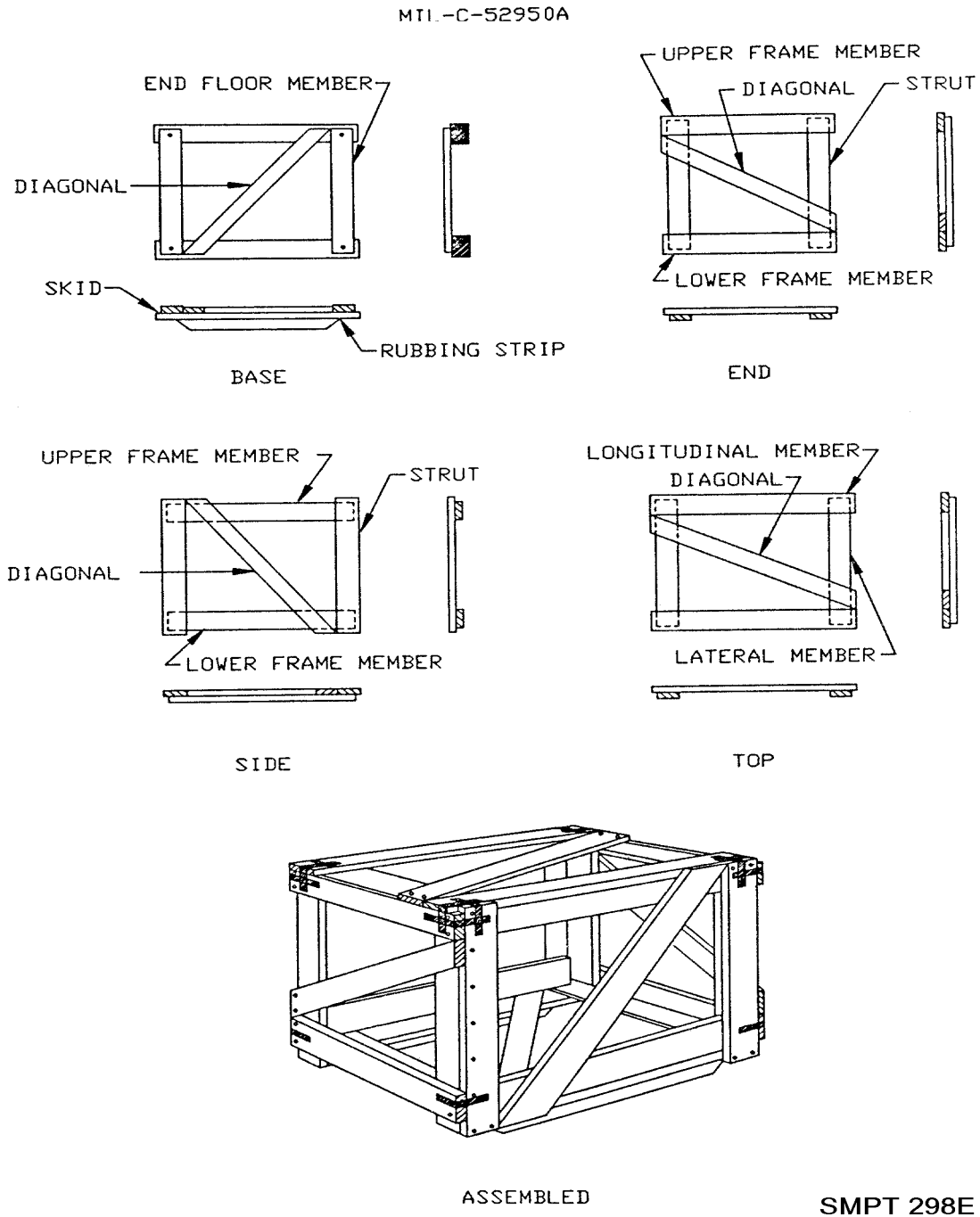


Figure 6-24. Type I, style A crate assembly (MIL-C-52950).

Assembly

Assembly of the crates shall be as shown in figure 6-25. Diagonals, struts, cross members, and longitudinal members shall be nailed together in patterns as shown in figure 6-22 with sixpenny nails.

MIL-C-52950A

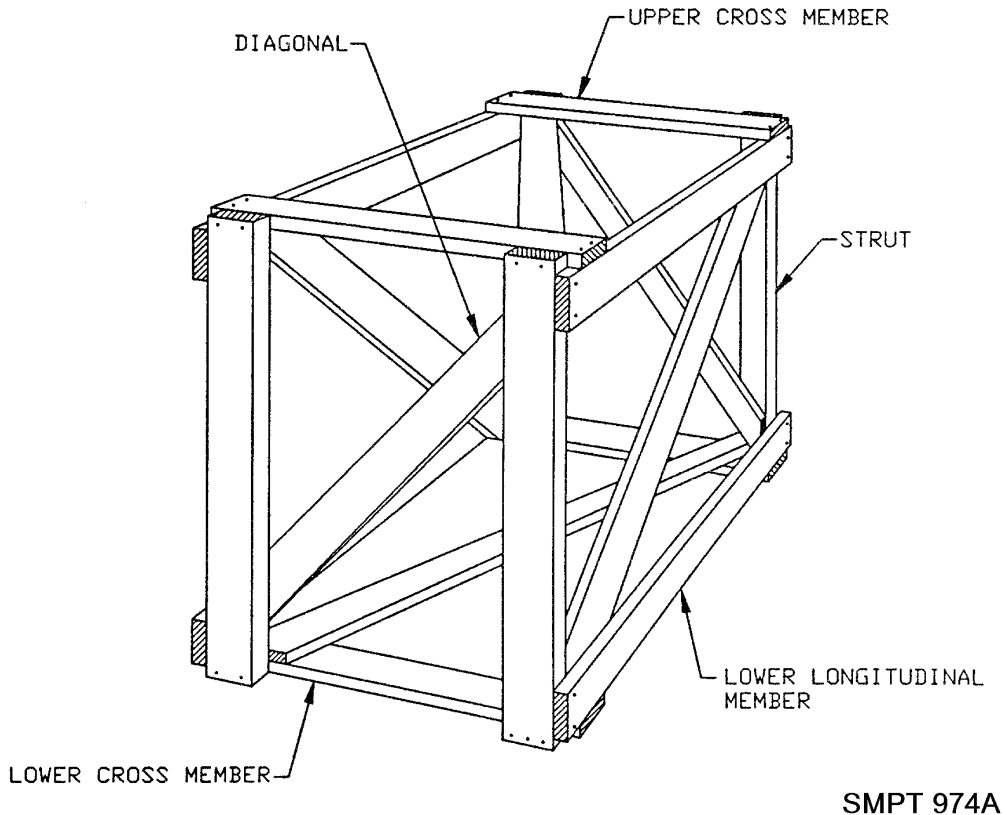


Figure 6-25. Type I, style B crate assembly (MIL-C-52950).

TYPE II, STYLE A--HEAVY DUTY CRATE (MIL-C-52950)

DESIGN REQUIREMENTS

Load and Size Limitations

Limitations shall be as specified in table 6-3.

Ends

The ends shall be of lumber or cleated-plywood as shown in figure 6-26. The cleats shall be fastened to the end boards or to the plywood with two rows of nails spaced 4 inches apart in each row, staggered and clinched. The minimum thickness of the end boards and plywood and the size of the end cleats shall be as shown in table 6-5. Additional vertical filler cleats shall be used in the ends when the unsupported span between outside cleats is greater than 3 feet.

Sides

The sides of the crates shall be of lumber or cleated-plywood as shown in figure 6-26.

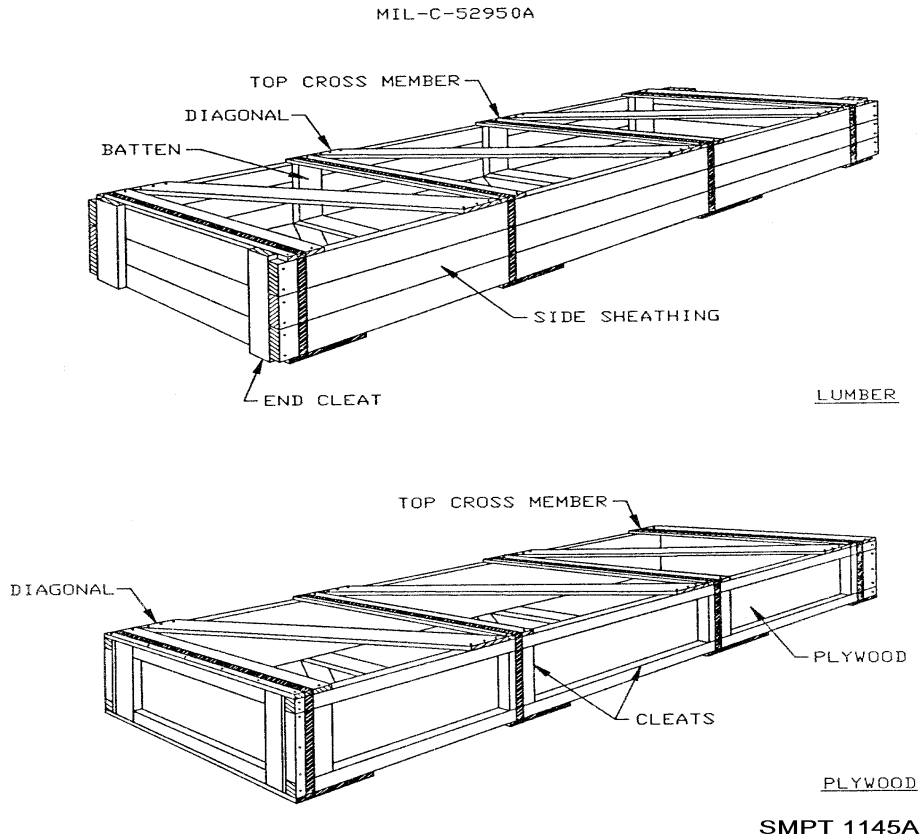


Figure 6-26. Type II, style A crate assembly (MIL-C-52950).

Table 6-4. Allowable Load Per Inch of Load-bearing Floorboard Width of Groups I and II Woods

Distance between skids	Nominal Thickness of Floorboards (inches)					
	1	2	3	4	6	8
12	50	200	557	1090	2690	4680
18	34	134	370	740	1790	3140
24	25	100	280	545	1350	2330
30	20	80	222	450	1150	1870
36	17	66	185	361	895	1560
42	15	57	158	311	767	1335
48	12	50	139	272	671	1170
54	11	45	124	242	596	1039
60	10	40	111	218	537	936
66	9	37	104	198	488	850

NOTE: When Group IV woods are used, the above allowable loads may be increased by 20 percent.

Table 6-5. Thickness of Ends

Maximum Net Load	Plywood	Lumber	Size of end cleats
<i>(pounds)</i>	<i>(inch)</i>	<i>(inches)</i>	<i>(inches)</i>
100	¼	¾	¾ by 2-¾
250	3/8	¾	¾ by 3-1/2
500	½	1-1/16	1-1/16 by 3-1/2
1000	½	1-5/16	1-1/2 by 3-1/2

Table 6-6. Thickness of Sides

Maximum Net Load	Plywood	Lumber	Size of Cleats for Plywood Sides
<i>(pounds)</i>	<i>(inch)</i>	<i>(inches)</i>	<i>(inches)</i>
100	1/4	¾	¾ by 2-¾
250	3/8	¾	¾ by 2-¾
500	1/2	1-1/16	7/8 by 3-1/2
1000	1/2	1-5/16	7/8 by 3-1/2

When lumber is used, the sides shall be constructed of not more than 3 pieces for heights of 1 foot 3 inches or more, not more than 2 pieces for heights between 7 1/2 inches and 1 foot 3 inches, and one piece for heights 7 1/2 inches or less.

The minimum thickness of lumber and plywood, and the minimum size of cleats for plywood sides shall be as shown in table 6-6.

When lumber sides are composed of two or more pieces, cleats that are the same thickness and width as the top and bottom crossmembers shall extend the full depth of the side and shall be fastened to the inside surfaces of the sides as shown in figure 6-26. The cleats on the sides shall be placed to coincide with the crossmembers of the top, and spacing shall be no greater than 3 feet. Cleats shall be fastened to the side boards or plywood with two rows of nails spaced 4 inches apart in each row, staggered, and clinched. When the overall length of the crate exceeds 14 feet, pieces of lumber used in the construction of the sides shall be either the required full length or shall be made up of two pieces which together make up the full length. The joint of such pieces shall abut on a full depth cleat, and both pieces shall be nailed to the bottom.

When plywood is used, the sides shall be constructed on one-piece material for width requirements. Butt jointing of plywood at an intermediate cleat location will be permitted when two lengths of plywood are required for crates in excess of 8 feet in length.

Crates may be one of the following combinations of sides and end panels, as specified:

- Lumber ends and sides.
- Cleated-plywood ends and sides.
- Lumber ends and cleat-plywood sides.

Top and Bottom Members

The top and bottom members shall be 1 X 4-inch lumber for all crates up to and including 2 feet 6 inches in width and 1 X 6 inch lumber for crates more than 2 feet 6 inches in width. The angle between diagonals and side shall be between 300 and 600, but crossmembers shall be placed not more than 3 feet apart in line with battens or cleats of the sides. The crossmembers of the top and bottom shall be directly opposite each other and the bottom diagonals shall be in reverse direction with the top diagonals as shown in figure 6-26.

Exterior Side Cleats

When specified, for gross weights exceeding 200 pounds, exterior side cleats shall be used to facilitate fork lift handling of crates on their sides. On lumber sides, the exterior cleats shall replace the interior side battens. On plywood sides, filler pieces shall be used under the exterior side cleats; filler pieces shall pass between the horizontal cleats and shall be the same width as exterior side cleats. Spacing of cleats shall be as shown in figure 6-27. Size of exterior side cleats shall be 3 X 4 inches. Exterior side cleats shall be secured to the side sheathing with nails as specified for battens. Short one-panel crates with lumber ends shall have end cleats a nominal 3 inches thick in lieu of exterior side cleats.

ASSEMBLY

Sides to Ends

The sides shall be nailed with sinker or corker nails to the ends as specified in table 6-7.

Top and Bottom Members to Sides

The top and bottom crossmembers and diagonals shall be nailed to the cleats of the sides or to the lumber sides with eightpenny sinker nails when the side cleats or sides are less than 1 inch in thickness and ninepenny sinker nails when side members are 1 inch or more in thickness. The end top and bottom crossmembers shall also be nailed to the end sheathing or cleats if the ends are lumber or plywood, respectively. The nailing patterns, location of nails, and nailing procedures shall be as shown in figures 6-22 and 6-26.

TYPE III, STYLE B--LIGHT DUTY CRATE (MIL-C-52950)

DESIGN REQUIREMENTS

Style B

Style B crates shall be as shown in figure 6-28. There shall be no size or load restrictions for this crate except as limited by handling methods. The size and spacing of members shall be as specified in table 6-8. Vertical end cleats shall be long enough to permit full nailing to the upper horizontal end cleats when the crate is assembled.

Nailing

The upper and lower halves of the crate shall be fabricated with sixpenny nails; the vertical end cleats shall be fastened to the lower half with clinched nails to the lower horizontal end cleats. Two nails shall be used in each end of 3 and 4 inch wide longitudinal members and three nails shall be used in 6 inch wide longitudinal members.

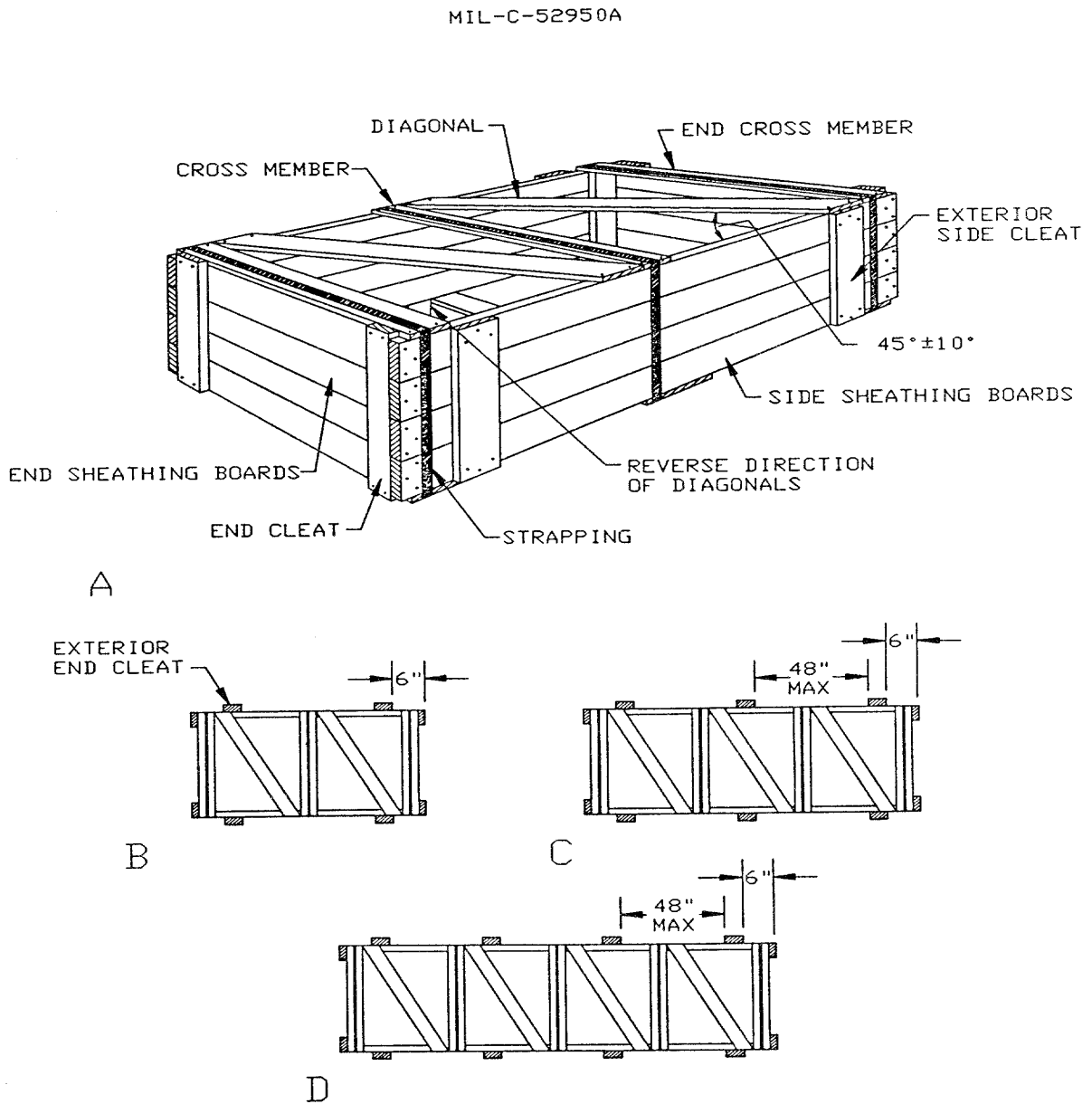


Figure 6-27. Type II, crate with exterior side cleats. (A- complete crate, B- two panel, C- three panel, and D- four panel.

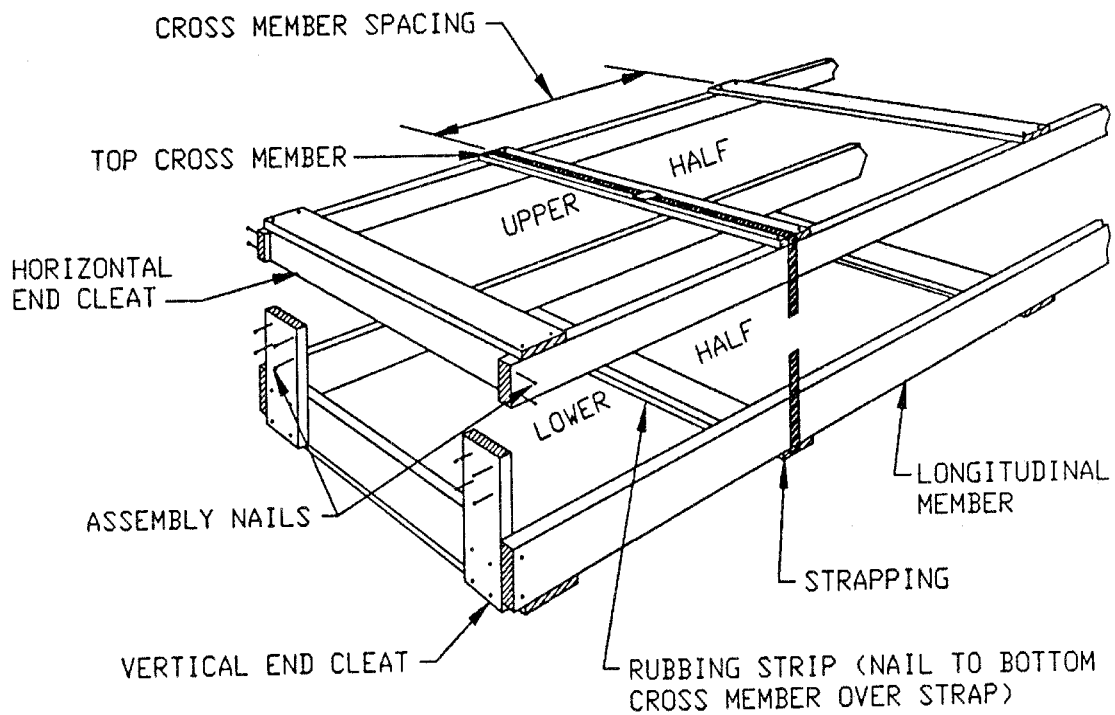
Rubbing Strips

Beveled rubbing strips, of sizes shown in table 6-8, shall be attached to the undersurface of each lower crossmember to facilitate fork truck handling. Rubbing strips shall be fastened to the crossmembers with sixteenpenny nails placed in two rows and spaced 5 inches apart applied to each row and clinched. Rubbing strips shall be applied at time of crate packing after strapping has been secured to crossmembers.

Assembly

Assembly of the crates shall be as shown in figure 6-28. After items have been nested in the lower half of the crate, the upper half shall be positioned and strapping shall be applied. The upper ends of the vertical end cleats shall be nailed to the upper horizontal end cleats with fourpenny nails. The upper longitudinal members of the sides shall be nailed to the vertical end cleats with eightpenny nails.

MIL-C-52950A



SMPT 976A

Figure 6-28. Type III, style B crate assembly (MIL-C-52950).

Table 6-7. Nailing Schedule for Assembly to Type II, Style A Crates

Cleated-Plywood Sides to Plywood or Lumber Ends ¹			Lumber Sides to Lumber Ends ¹		
Plywood thickness	Nail size	Nail spacing	Thickness of sides	Nail size	Nails spacing
1/4	8	3	3/4	8	2-1/2
3/8	10	3-1/4	1-1/16	10	2-3/4
1/2	12	3-1/2	1-5/16	12	3

NOTE: 1/ Nails shall be staggered when ends are lumber.

TYPE IV, STYLE A - HEAVY DUTY CRATE (MIL-C-52950)

DESIGN REQUIREMENTS

Load and Size Requirements

The limitations shall be as specified in table 6-3.

Base

Skids shall be 2 X 4 inch lumber for loads through 500 pounds and 2 X 6 inch lumber for over 500 pounds.

The size of the load-bearing floor member shall be as specified in table 6-4. Floorboards over 2 inches in nominal thickness shall be bolted to the skids with 3/8-inch diameter carriage bolts. Diagonals shall be 1 X 6 inches.

The placement of end floor members and rubbing strips shall be as shown in figure 6-29. On crates over 5 feet long, the rubbing strips shall be in three pieces, with the center piece 16 inches long, the fork openings 12 inches long, and the end pieces of a length which will allow end sling openings of 4 inches.

Side, End, and Top Panels

All the members of the side, end and top panels shall be 1 X 6 inch lumber. Three vertical struts shall be used in the side panels when the length of the crate is greater than 4 feet or greater than 1 1/2 times the height. The lateral members of the top panel shall coincide with the vertical struts of the side panels and shall be equal in number. Nailing patterns shall be as shown in figure 6-22.

Assembly

Assembly of the crates shall be as shown in figure 6-29. The longitudinal members of the top shall bear on the upper frame members of the sides and the end lateral members of the top shall be adjacent to the upper member of the ends.

TYPE V, STYLE A - HEAVY DUTY (MIL-C-52950)

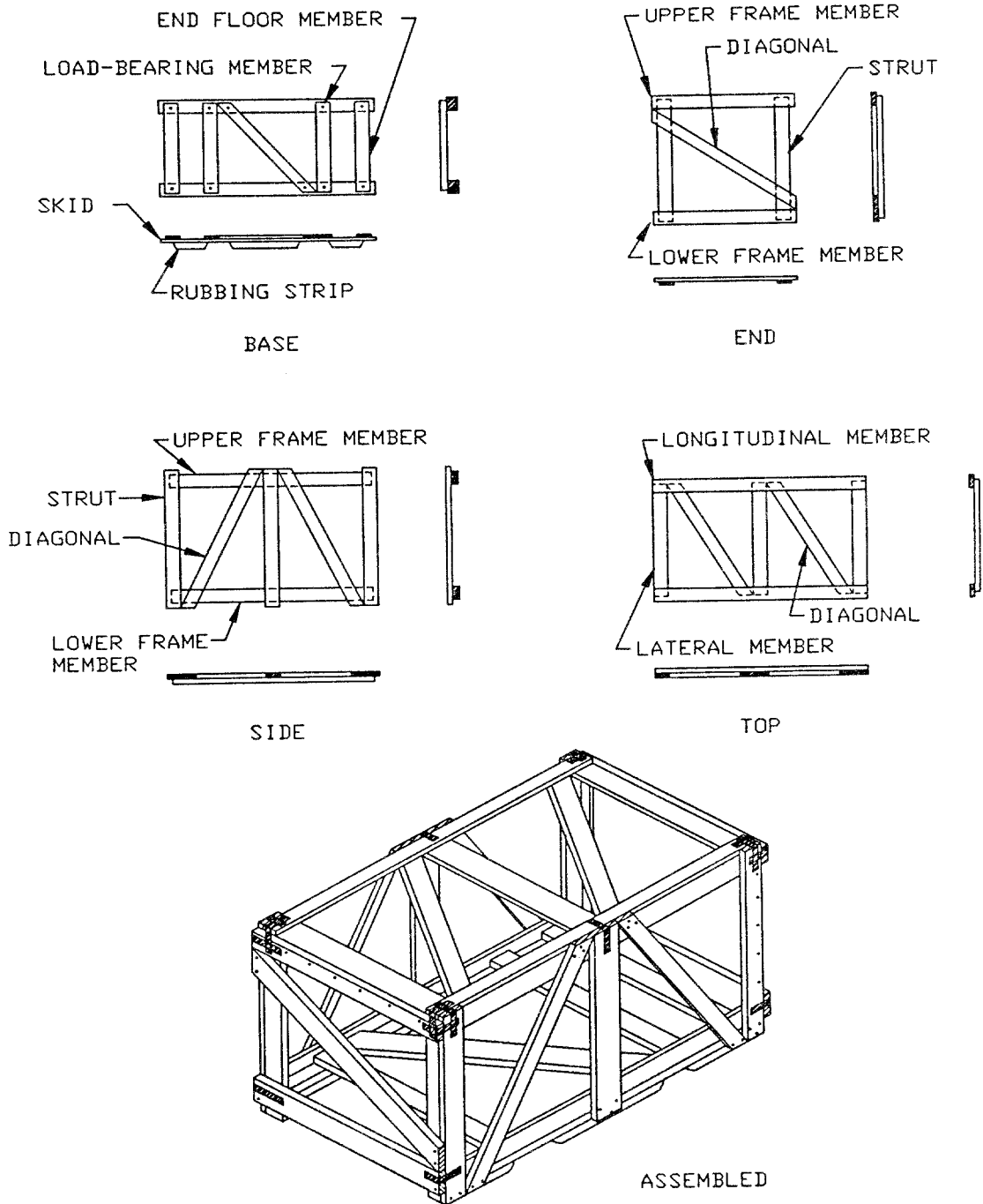
DESIGN REQUIREMENTS

Load and Size Limitations

The limitations shall be as specified in table 6-3.

Nailing shall be as shown in figure 6-22.

MIL-C-52950A



SMPT 297F

Figure 6-29. Type IV, style A crate assembly (MIL-C-52950).

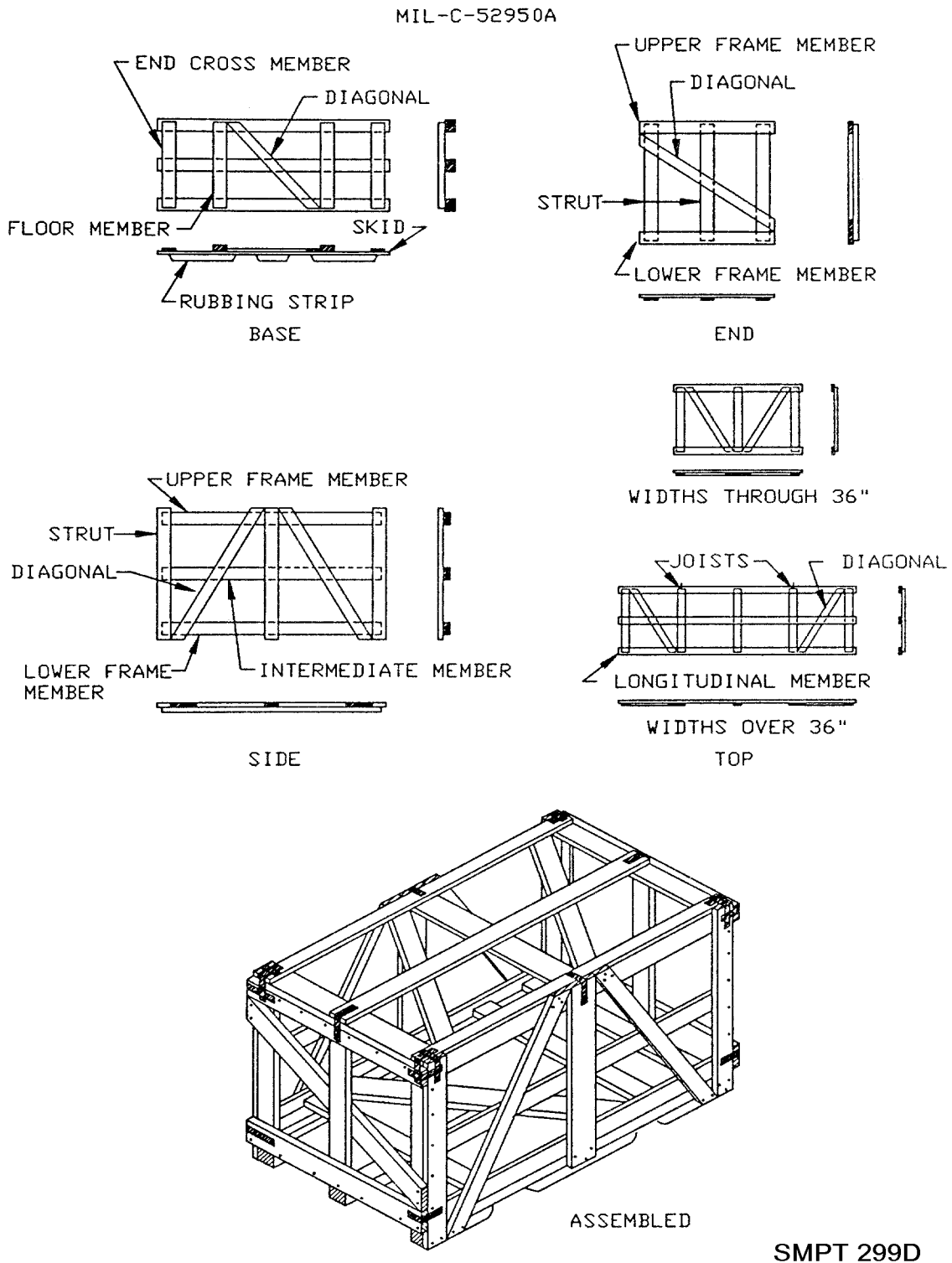


Figure 6-30. Type V, style A crate assembly (MIL-C-52950).

Base

Skids

The skids shall consist of 4 X 4 inch lumber. An intermediate 4 X 4 inch skid shall be used when the distance between the outer skids is greater than 36 inches.

Load-bearing Floor Members

The size of the load-bearing floor members shall be as specified in table 6-4. Floorboards over 2 inches in nominal thickness shall be bolted to each outside skid with 3/8 inch carriage bolts.

Diagonals

The diagonals shall be 1 X 6 inch lumber and the angle between the skid and the diagonal shall be between 30 degrees and 60 degrees, except that when the angle of a single diagonal is less than 30 degrees, two diagonals and a 1 X 6 inch center crossmember shall be used.

Crossmembers

End crossmembers shall be 2 X 6 inch lumber for crates not greater than 4 feet in width and 4 X 4 inch lumber for crates over 4 feet in width. End crossmembers shall be bolted to each skid with 3/8-inch diameter carriage bolts.

Rubbing Strips

Rubbing strips shall be as described previously.

Ends

Vertical struts shall be 2 X 4 inch lumber. An intermediate strut shall be used when the width of the crate is greater than 3 feet. All struts shall coincide with the skids and shall bear upon the end crossmembers of the base. The upper and lower frame members of the ends shall be 1 X 6 inch lumber except the a 1 X 8 inch lower member shall be used when the end crossmembers of the base are 4 X 4 inches. The diagonals of the ends shall be 1- X 6-inch lumber.

Sides

All side framing members, struts, and diagonals shall be 1 X 6 inch lumber. Intermediate struts shall be placed so that diagonals form an angle of between 30 and 60 degrees with the lower frame member. Struts shall have a maximum spacing of 42 inches. A horizontal intermediate frame member is required when the height of the side exceeds 4 feet. Diagonals shall be used between each two adjacent struts.

Top

All members of the top shall be 2 X 4 inch lumber. The longitudinal members shall coincide with the vertical struts of the ends. An intermediate longitudinal member is required when the width of the crate is greater than 3 feet and shall coincide with the intermediate struts of the ends. The joists shall be placed flat. Joists shall coincide with each strut of the side but shall be spaced not more than 40 inches apart for crates up to 3 feet wide and not more than 30 inches apart for crates more than 3 feet wide. The diagonals shall be nailed to the longitudinal members. When more than three joists are used, only each end panel of the top assembly shall be braced as shown in figure 6-30.

Non-demountable Crate Assembly

The assembly shall be reinforced by the application of metal straps as shown in figure 6-30.

Sides to Base

The sides shall be fastened to the base by nailing the overlap of the vertical struts and diagonals to the skids with twelvepenny nails. The nailing patterns shall follow those shown in figure 6-22.

Ends to Base

The ends shall be fastened to the base by nailing the lower frame member of the end panels to the end crossmembers of the base with twelvepenny sinker nails spaced 6 to 8 inches apart.

Sides to Ends and Ends to Sides

The edge struts of the sides shall be fastened to the edge struts of the ends with eightpenny sinker nails spaced 8 to 10 inches apart. The extensions of the upper and lower frame members and the diagonals of the end shall be nailed to the edge struts of the side with eightpenny sinker nails as shown in figure 6-22.

Top to Sides and Ends

The top shall be fastened to the sides and ends by nailing the upper frame members of the ends and the extensions of the vertical struts and diagonals of the sides to the adjacent edge members of the top with eightpenny sinker nails as shown in figure 6-22.

Demountable Crate Assembly

All demountable crates shall be assembled with lag bolts. Lead holes shall be used for all lag bolts. When specified as an alternate, the top, side, and end panels may be nailed to each other and the unit may be fastened to the skids and end crossmembers of the base by means of lag bolts for demountable crates.

Sides to Base

Lag bolts, 3/4 by 3 1/2 inches, shall be used to fasten the sides to the skids. Diagonals shall be arranged to provide the maximum number of fastening points to the base near the center of the skids. The minimum number of lag bolts shall correspond to the following tabulation. Not less than one edge bolt shall be placed in each strut and diagonal.

Gross Load (crate and contents) (pounds)	Minimum Number of 3/8-inch Lag bolts for each side of crate
1000	4
2000	5
3000	8

Ends to Base, sides to Ends, and Ends to Top

Lag bolts, 5/16 by 3 inches, spaced 12 to 14 inches apart, shall be used to fasten: the lower edge members of the ends to the end crossmembers of the base; the end vertical struts of the sides to the edge struts of the ends; and the upper edge members of the end to the edge joists of the top.

Sides to Top

One 5/16 by 3-inch lag bolt shall be used to fasten each strut and diagonal of the sides to the edge longitudinal member of the top.

TYPE V, STYLE B--LIGHT DUTY CRATE (MIL-C-52950)

DESIGN REQUIREMENTS

Load and size Limitations

The limitations shall be as specified in table 6-3. They shall be open, or covered, and demountable or non-demountable as specified. Nailing shall be as shown in figure 6-22, and as specified herein.

Base

Skids

Skid sizes shall conform to the following:

Net load (pounds)	Skid Size (Nominal)	
	2 Skids (inches)	3 Skids (inches)
Up to 500	2 X 4 (flat)	2 X 4 (flat)
501 to 2000	3 X 4 (flat)	3 X 4 (flat)
2001 to 3000	4 X 4	3 X 4 (flat)
3001 to 4000	4 X 4	4 X 4

Crates Over 42 Inches Wide Shall Have Three Skids

Splices shall be located no further from the ends than one-third of the length of the skids, and splice locations shall be alternated in adjacent skids. All 4 X 4 members may also consist of two 2 X 4's placed on edge and laminated in accordance with figure 6-23.

Rubbing Strips

Rubbing strips shall be a minimum of 3 X 4 inches in size. The strips shall be positioned as shown in figure 6-31. They shall be nailed to the skids with two rows of nails spaced 1 foot apart in each row in a staggered pattern; nail sizes shall be sixteenpenny when skids are 2 X 4 inches and twentypenny for 3 X 4 and 4 X 4 inch skids.

End Headers

Two headers spaced 2 feet apart shall be bolted to each end of the skids as shown in figure 6-31 with 3/8-inch diameter carriage bolts. The end headers shall be the same cross section as the skids. When crate ends have 2 X 4 inch struts, bolts in the outer headers shall be placed to clear the struts.

Load-bearing Floorboards

When concentrated loads occur, load-bearing floorboards shall be used to transfer the load to skids. The sizes shall be as specified in table 6-4. When end headers are used as load-bearing member, the end header size shall be chosen from the load-bearing floorboard width specified in table 6-4. Floorboards 2 inches or less in thickness shall be nailed to each skid in patterns as shown in figure 6-22 and floorboards over 2 inches thick shall be bolted to each skid with 3/8-inch diameter carriage bolts. Two bolts shall be used for floorboards over 6 inches wide.

Diagonals and Floorboards

Diagonals shall be used between headers and load-bearing floorboards or other crossmembers and shall be placed at an angle as close to 45 degrees as possible. Diagonals and floorboards other than load-bearing floorboards shall be 1- by 4-inch members for net loads up to 500 pounds and outside widths not exceeding 3 feet, and shall be 1- by 6-inch members for all other conditions.

Sides

Sides shall be as shown in figures 6-32, 6-33, and 6-34. Single-panel sides shall be used for heights over 6 feet. An intermediate longitudinal member shall be added for heights over 4 feet. Double-panel sides shall be used for heights over 6 feet and through 8 feet. Triple-panel sides shall be used for heights over 8 feet. Longitudinal members shall be in single pieces for lengths not exceeding 16 feet, and may be spliced as shown in figure 6-24 for lengths greater than 16 feet. Splice locations shall be alternated. Member sizes and spacing shall be as specified in table 6-9.

Ends

Ends shall be as shown in figures 6-35 and 6-36. All members shall be 1 by 4 inches in size for net loads up to 500 pounds, and 1 by 6 inches for net loads over 500 pounds, with the following exceptions.

Struts shall be 2 by 4 inches in size when the crate height is over 5 feet.

The lower frame member shall be 1 by 6 inches in size when the end headers of the base are 2-inch thick members and 1 by 8 inches in size when larger end headers are used.

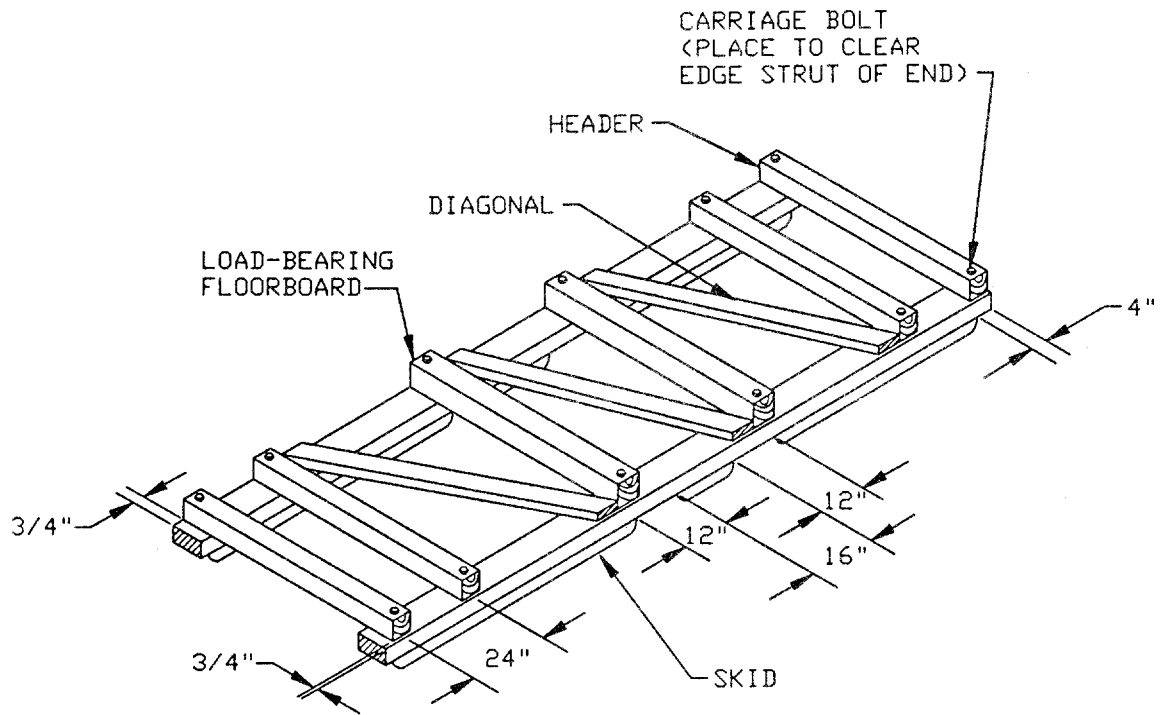
Top

The top shall be as shown in figure 6-37. The spacing of the crossmembers shall be the same as the spacing of the side struts. Diagonals shall be nailed to the inner faces of the crossmembers. The longitudinal members shall be 1 by 4 inches in size for loads up to 500 pounds and widths to 4 feet, and 1 by 6 inches for all other conditions. Crossmembers and diagonals shall be 1 by 4 inches for loads to 1,000 pounds and widths to 4 feet, and 1 by 6 inches for all other conditions. Splicing of longitudinal members shall be as shown in figure 6-23.

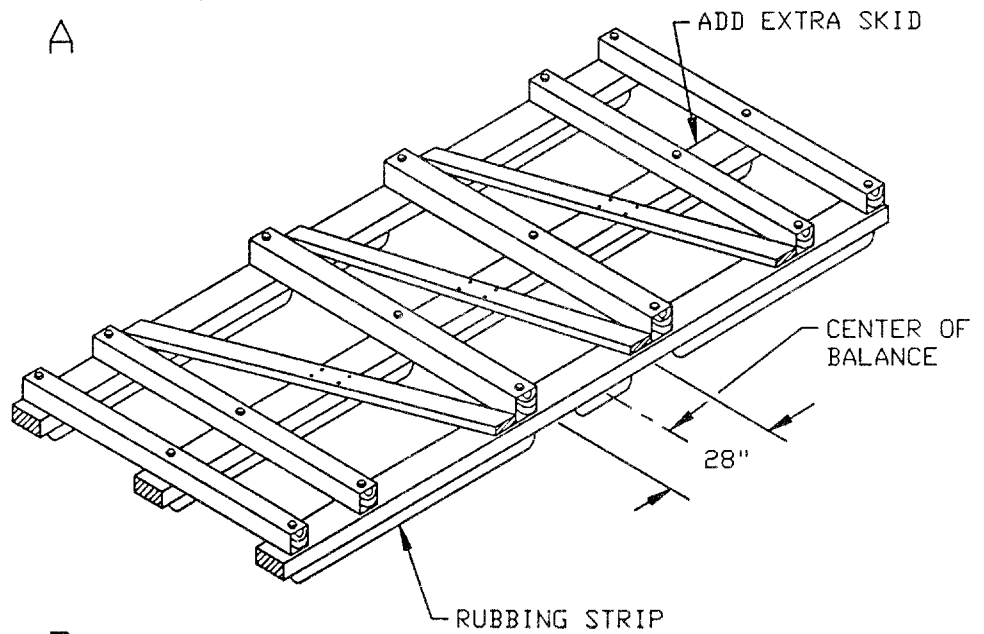
Top Reinforcing Joists

When the gross weight of the crate is over 500 pounds or the inside width is over 3 feet 6 inches, a 2- by 4-inch top-reinforcing joist shall be nailed to the top at the loaded center of balance as shown in figure 6-37 to prevent the top of the crate from being crushed when the crate is lifted with a single set of grabhooks. The joist shall be placed flat and the ends shall contact the inner face of the upper longitudinal members of the side when the crate is assembled. The joist shall be fastened to the longitudinal and diagonal members of the top with sevenpenny nails placed as shown in figure 6-22 and to the upper longitudinal members of the sides with two tenpenny nails in each end.

MIL-C-52950A



A

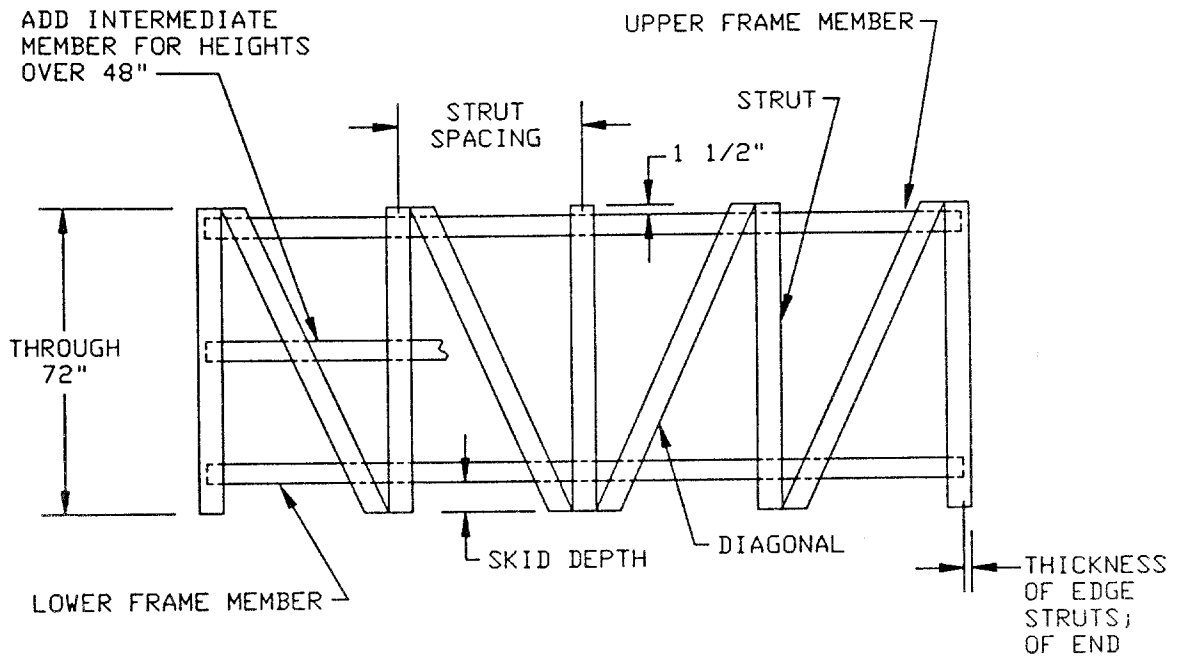


B

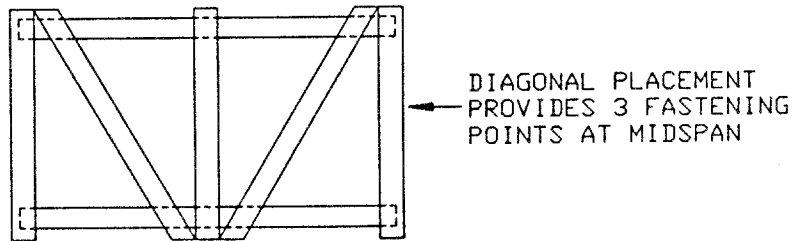
SMPT 1111C

Figure 6-31. Bases for Type V, style B crates (MIL-C-52950).

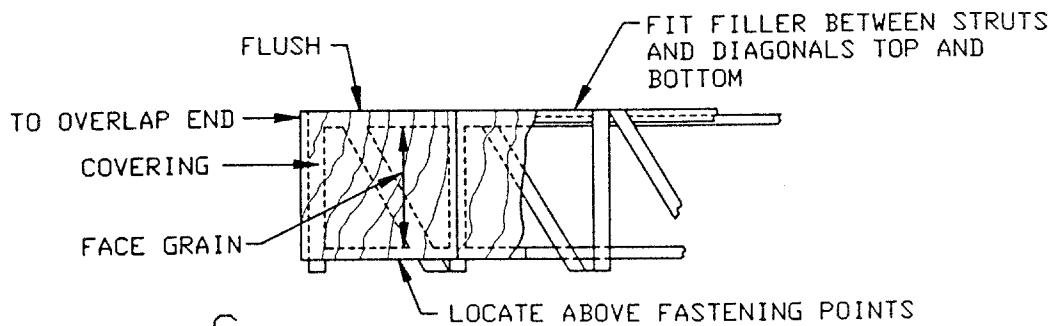
MIL-C-52950A



A



B

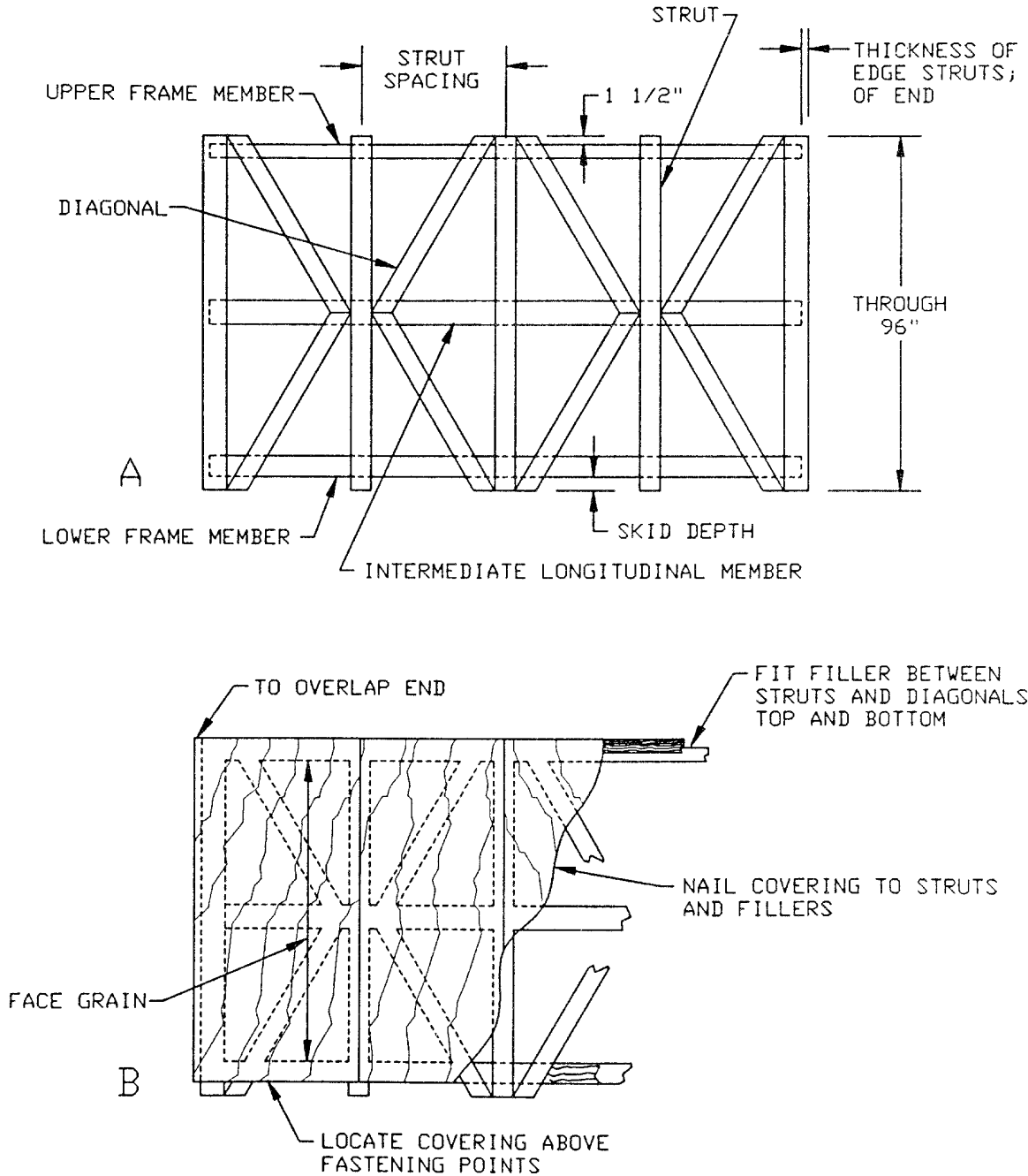


C

SMPT 1112A

Figure 6-32. Simple panel sides for Type V, style B crates (MIL-C-52950): A, side of long crate; B, side of short crate; C, covered side.

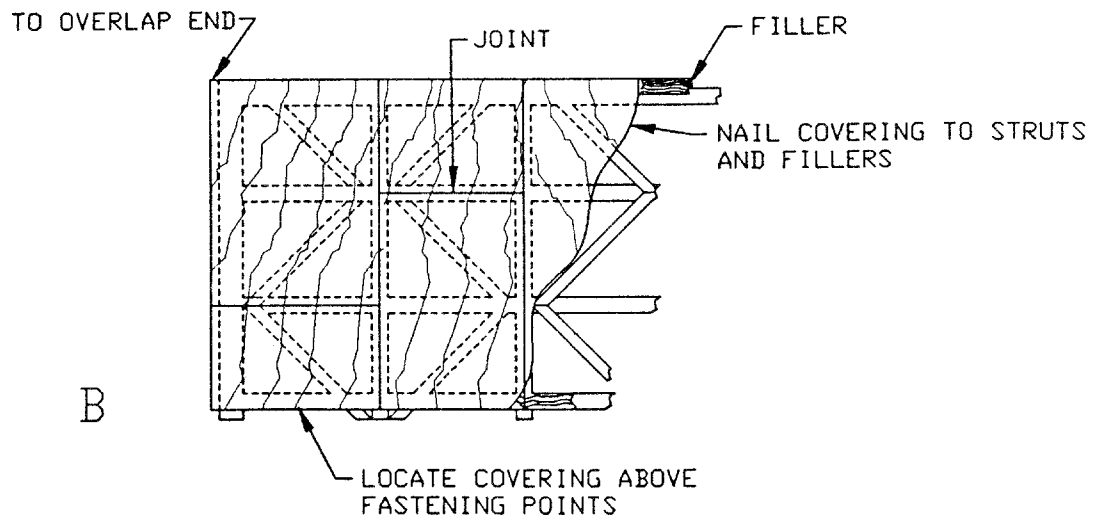
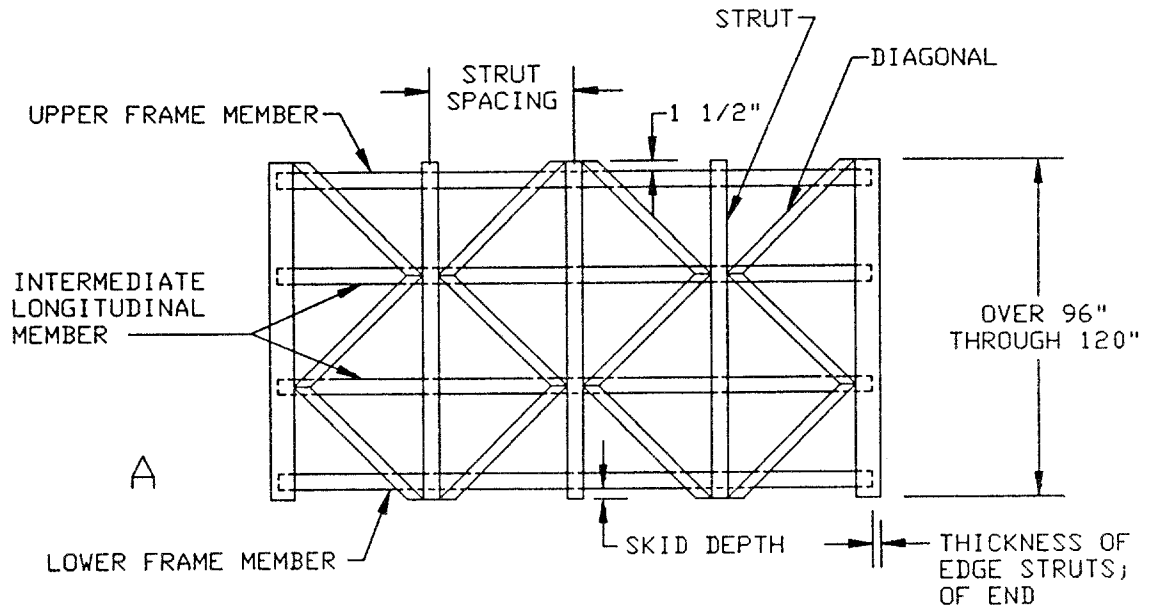
MIL-C-52950A



SMPT 1113B

Figure 6-33. Double panel sides for Type V, style B crates for heights up to 96 inches (MIL-C-52950): A, open side; B, covered side.

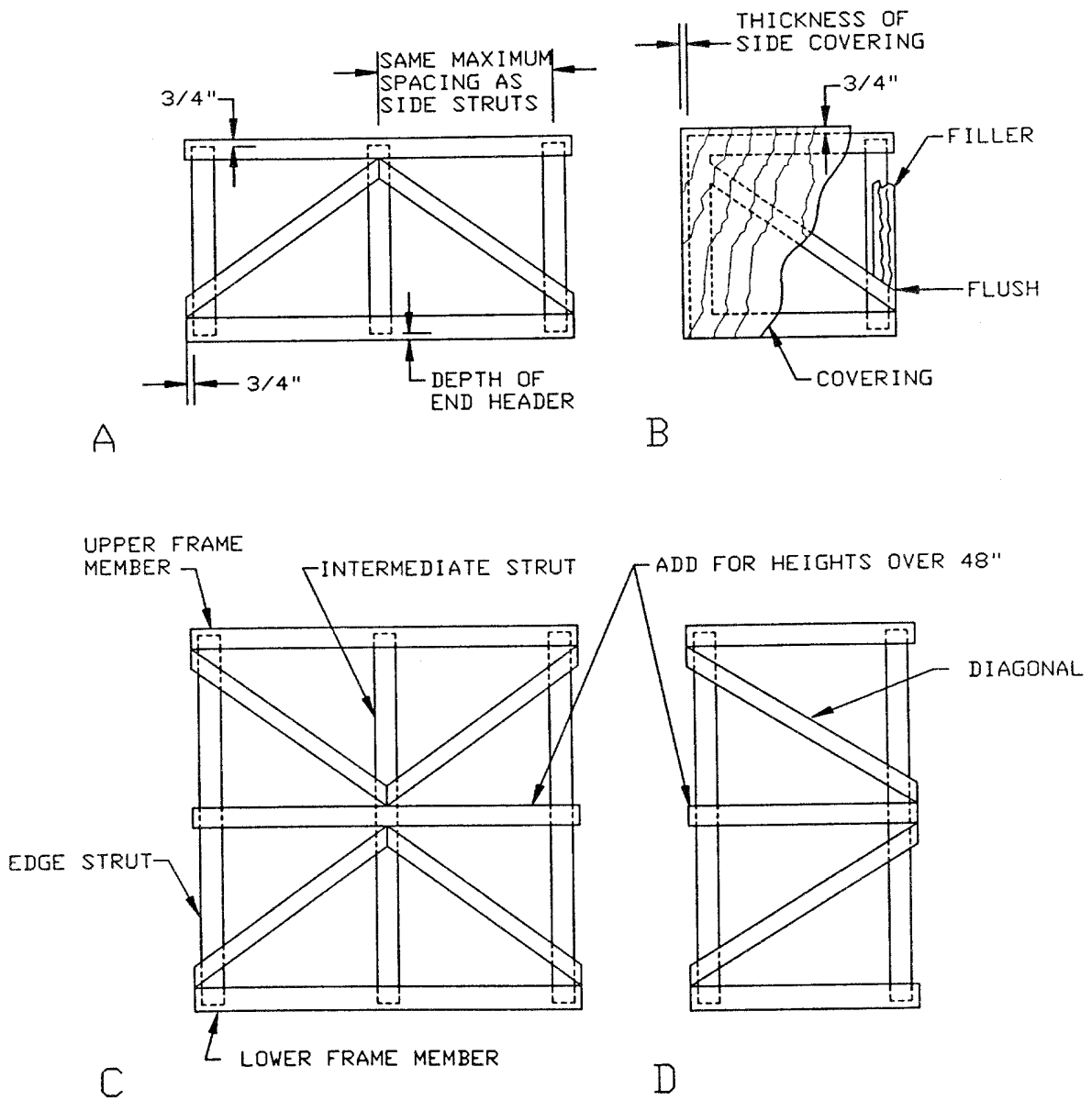
MIL-C-52950A



SMPT 1114B

Figure 6-34. Triple panel sides for Type V, style B crates for heights over 96 inches (MIL-C-52950): A, open side; B, covered side.

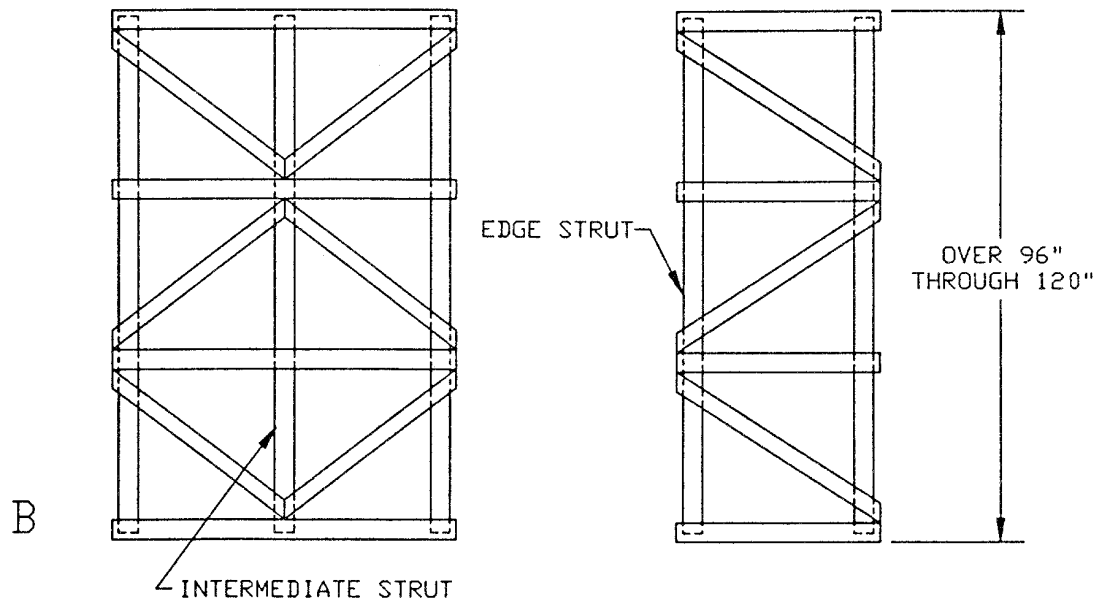
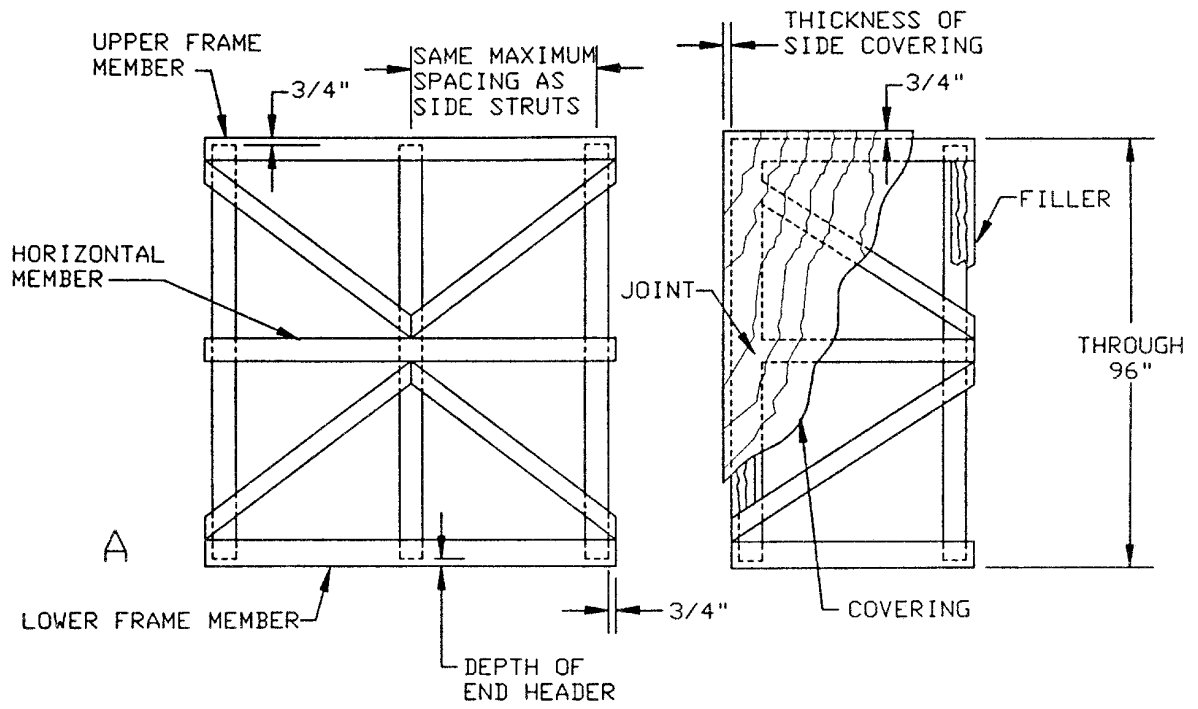
MIL-C-52950A



SMPT 1115A

Figure 6-35. Ends for Type V, style B crates (MIL-C-52950): A, two panel horizontal; B, single panel covered; C, four panel; D, two panel vertical.

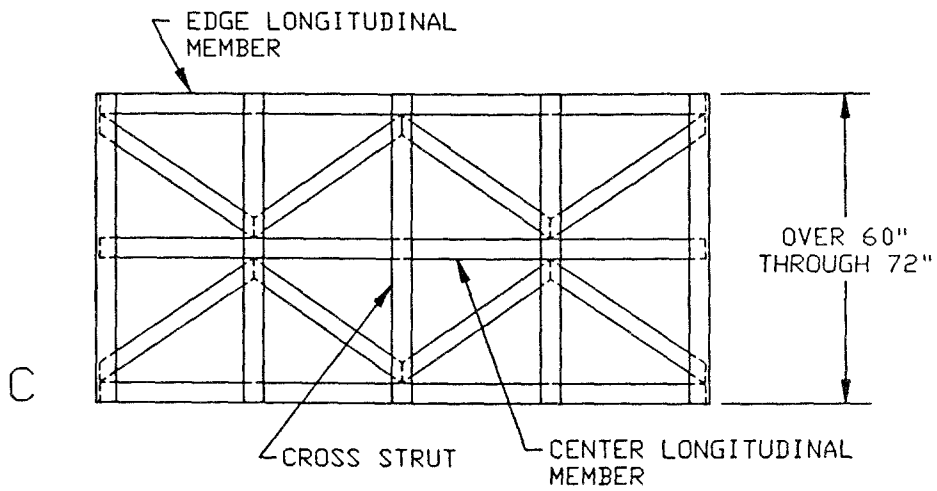
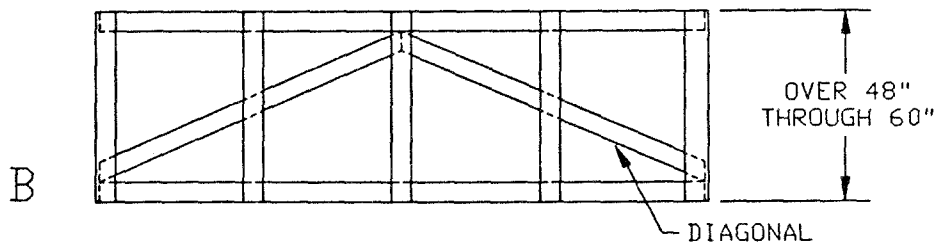
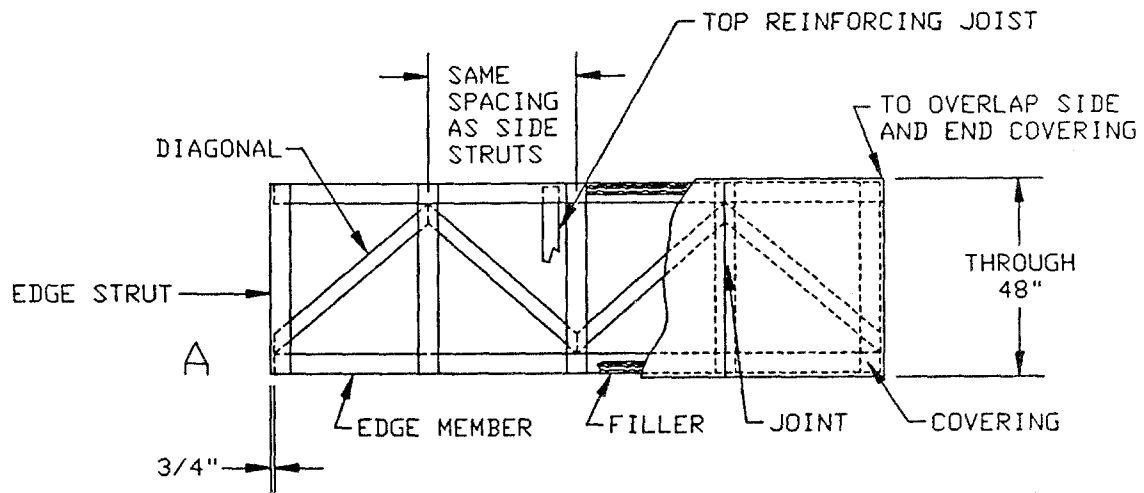
MIL-C-52950A



SMPT 1116A

Figure 6-36. Ends for Type V, style B crates (MIL-C-52950): A, wide and narrow double-panel ends; B, wide and narrow triple-panel ends.

MIL-C-52950A



SMPT 1117A

Figure 6-37. Tops for type V, style B crates (MIL-C-52950): A, narrow top; B, medium top; C, wide top.

Assembly

Unless demountability is specified, the crate shall be assembled by nailing. When demountability is specified, the sides, ends, and top as a unit shall be secured to the base with lag bolts. Eightpenny nails, spaced 8 to 10 inches apart, shall be used to fasten:

- the edge struts of the sides to the sides to the edge struts of the ends;
- the longitudinal members of the top to the upper frame members of the sides;
- the end crossmembers of the top to the upper frame members of the ends; and,
- the lower frame members of the ends to the end header of the base.

Eightpenny nails as shown in figure 6-22 nailing patterns shall be used to fasten:

- the upper ends of the side struts and diagonals to the longitudinal members of the top; and
- the ends of upper and lower frame members, horizontal members, and diagonals of the ends to the edge struts of the sides.

The bottom ends of struts and diagonals of the sides shall be secured to the skids with eightpenny nails as follows: A minimum of three nails shall be used for each 3 and 4 inch wide member, four nails for each 6 inch wide member, and five nails for each 8 inch and wider member. Nails shall be staggered and shall be placed in two rows whenever possible. For demountable crates, each strut and diagonal of the sides shall be fastened to the skids with a minimum of one lag bolt. The size of lag bolts and the total number required shall be not less than that specified in table 6-10. When more than one lag bolt is required in each strut or diagonal, the additional lag bolts shall be placed in the wider members, near the load-bearing points, and in a staggered pattern when possible. One-half the total number of lag bolts required shall be used for each side. For demountable crates, the lower frame members of the ends shall be fastened to the end headers of the base with 5/16 X 3 inch lag bolts, spaced 12 inches apart.

Covered Crates

The structural framework of the covered crates shall be as shown in figure 6-32 and 6-33. The covered crates shall also be as shown in figures 6-32 through 6-38. Unless otherwise specified, the covering shall consist of plywood or paper-overlaid veneer with a minimum thickness of 1/8 inch. When joints are required in the covering they shall butt over the centerline of struts or crossmembers. Covering shall be fastened with two rows of nails or staples, spaced 8 inches apart in each row, staggered, and clinched. Filler pieces between struts, diagonals, and crossmembers of sides, ends, and top shall be fastened with two rows of nails, spaced 10 inches apart in each row, staggered, and clinched. Filler pieces shall be the same thickness as adjacent panel framing members.

Sides

Four-inch wide filler pieces shall be fastened to the upper and lower frame members between the struts and diagonals. Filler shall extend beyond the edge of the upper frame member so as to be flush with the ends of the struts and diagonals. The lower edges of the fillers shall be flush with the bottom edge of the lower frame member.

Ends

Three-inch wide filler pieces shall be nailed to the edge struts as shown in figures 6-35 and 6-36. When specified, end ventilation shall be provided in accordance with MIL-C-104.

Tops

Two-inch wide filler pieces shall be fastened to the longitudinal members. The covering of the top shall be extended to overlap the covering of the sides and ends. During nailing, a 4-inch wide strip of waterproof barrier material conforming to PPP-B-1055, class suitable for crate liners, shall be placed under each covering joint. The strip shall extend across the full width of the top.

Covered Crate Assembly

The assembly of covered Type V, style B crates shall be as shown in figure 6-38. Ninepenny nails, spaced 8 to 10 inches apart, shall be used through the covering to fasten the edge struts of the sides to the edge struts of the ends; the struts, diagonals, and fillers of the sides to the edge longitudinal members of the top; the end crossmembers of the top to the upper frame members of the ends; the upper, lower, and horizontal members, diagonals, and fillers of the ends to the edge struts of the sides; the lower frame members of the ends to the end headers of the base; and, the struts, diagonals, and fillers at the lower edge of the sides to the skids of the base. The covering of the top shall be nailed to the filler of the sides with fourpenny nails spaced 4 to 6 inches apart. When demountability is specified, the sides and ends shall be fastened to the base with lag bolts.

ASSEMBLY INSTRUCTIONS (MIL-C-52950)

When specified, the contractor shall furnish applicable assembly instructions.

Tolerances

A tolerance of plus or minus 1/8 inch is allowable on the overall length and width of individual crate panels. Out-of-square deviations of individual panels shall be not more than 3/16 inch (3/8 inch different in diagonals).

Workmanship

Crate panels shall be clean and free of splinters and protruding nail points. Crate panels be square and free of cracks, splits, or other damage which would prevent easy and correct assembly.

Table 6-8. Member Sizes and Spacing for Type III, Style B Crates

Member	Member Size			Member spacing				
	Depth of Crate			Width of Crate		Length of Crate		
	0-8 inches <i>(inches)</i>	Over 8 to 12 inches <i>(inches)</i>	Over 12 inches <i>(inches)</i>	0 to 24 inches <i>(inches)</i>	over 24 inches <i>(inches)</i>	0 to 10 feet <i>(feet)</i>	Over 10 to 20 feet <i>(feet- inches)</i>	Over 20 feet <i>(feet)</i>
Longitudinal members	1 X 3	1 X 4	1 X 6					
Vertical end cleats	1 X 3	1 X 4	1 X 6					
Horizontal end cleats	1 X 3	1 X 4	1 X 6					
Top and bottom crossmembers				1 X 4	1 X 6	2	2-6	3
Rubbing strips				3 X 4	3 X 6			

Table 6-9. Frame Member Sizes for sides of Type V, Style B Crates

Limits of Dimensions and Net Loads				Member Sizes (nominal)				
Length	Net Load	Max. Strut. Spacing (on center)		Longitudinals				
		Single Panel	Double & Triple Panel	Upper	Lower	Intermediate	Struts	Diagonals
<i>(foot)</i>	<i>(pound)</i>	<i>(inch)</i>	<i>(inch)</i>	<i>(inch)</i>	<i>(inch)</i>	<i>(inch)</i>	<i>(inch)</i>	<i>(inch)</i>
12	300	42	42	1 x 4	1 x 3	1 x 3	1 x 3 ¹	1 x 4
32	500	48	54	1 x 6	1 X 4	1 X 4	1 x 4 ¹	1 X 4
28	1000	42	54	1 x 6	1 x 4	1 x 4	1 x 4 ¹	1 x 4
24	2000	36	48	1 x 6	1 x 6	1 x 6	1 x 6	1 x 6
20	3000	36	48	1 x 8	1 x 6	1 x 6	1 x 6 ²	1 x 6
16	4000	36	42	1 x 8	1 x 8	1 x 8	1 x 8	1 x 8

¹ For edge struts use 1 x 4 except that 1 x 6 members shall be used when edge struts of ends are 2 x 4 inches in size.

² For edge struts use 1 X 8 members.

Table 6-10. Number and size of Lag Bolts Required to Assemble the Base (Demountable Base) of Type V, Style B Crates

Total Minimum Number of Lag Bolts			
Size of Both for Each Skid Size			
Gross Weight (Crate and Contents)	5/16 X 3 inch bolt for 2X3 or 2 X 4-nch skid (flat)	3/8 X 3 inch bolt for 3 X 3 inch skid	1/2 X 3-1/2- inch lag bolt for 4 X 4-inch or two 2 X 4-inch skids (on edge and laminated)
<i>pounds</i>			
1000	8	8	6
2000	14	10	10
3000	18	16	12
4000	24	20	14
5000	30	26	18

Table 6-11. Classification of MIL-C-3774 Crates

Assembly	Maximum net load (lb)	Maximum dimensions		
		Length	Width	Height
Type I, Nailed ¹	12,000	16	8	8
Type II, Bolted ²	16,000	40	8	16

¹ Nailed assembly - nondemountable.

² Bolted assembly - demountable.

OPEN WOOD CRATES, MIL-C-3774 (GENERAL)

CRATE DESIGN

The open crates covered by MIL-C-3774 consist of framing members partially sheathed in specified areas. This sheathing is applied to protect the enclosed item and acts as a reinforcement to the sides, ends, and top of the crate. These crates are designed to carry large or heavy items. A minimum of 1-inch clearance is required between the item and the nearest framing member of the sides, ends, and top.

Classification

Crates designed under this specification may be either bolted or nailed (table 6-11).

Open Bolted Crates (Demountable)

These crates are designed to withstand a superimposed load of 200 pounds per square foot on the top, including dunnage. These crates may be used as reusable containers.

Open Nailed Crates (Nondemountable)

Crates designed under this classification are considered to be "one trip" containers. This type may be constructed with a skid-or sill-type base.

Lumber Requirements

Lumber

Lumber used in crate construction must meet the same rigid requirements as for other wooden containers. Lumber used in crate construction shall be free of defects that would materially weaken the container.

Plywood

Requirements for plywood are stated in A-A-55057.

Fasteners

Nails, strapping, bolts, etc., are commonly used.

OPEN BOLTED CRATES (MIL-C-3774)

DESIGN REQUIREMENTS

Demountable crates are designed and constructed so that the major components may be readily assembled or disassembled without damage to the component parts. This is accomplished through the use of lag bolts or bolts (fig 6-5).

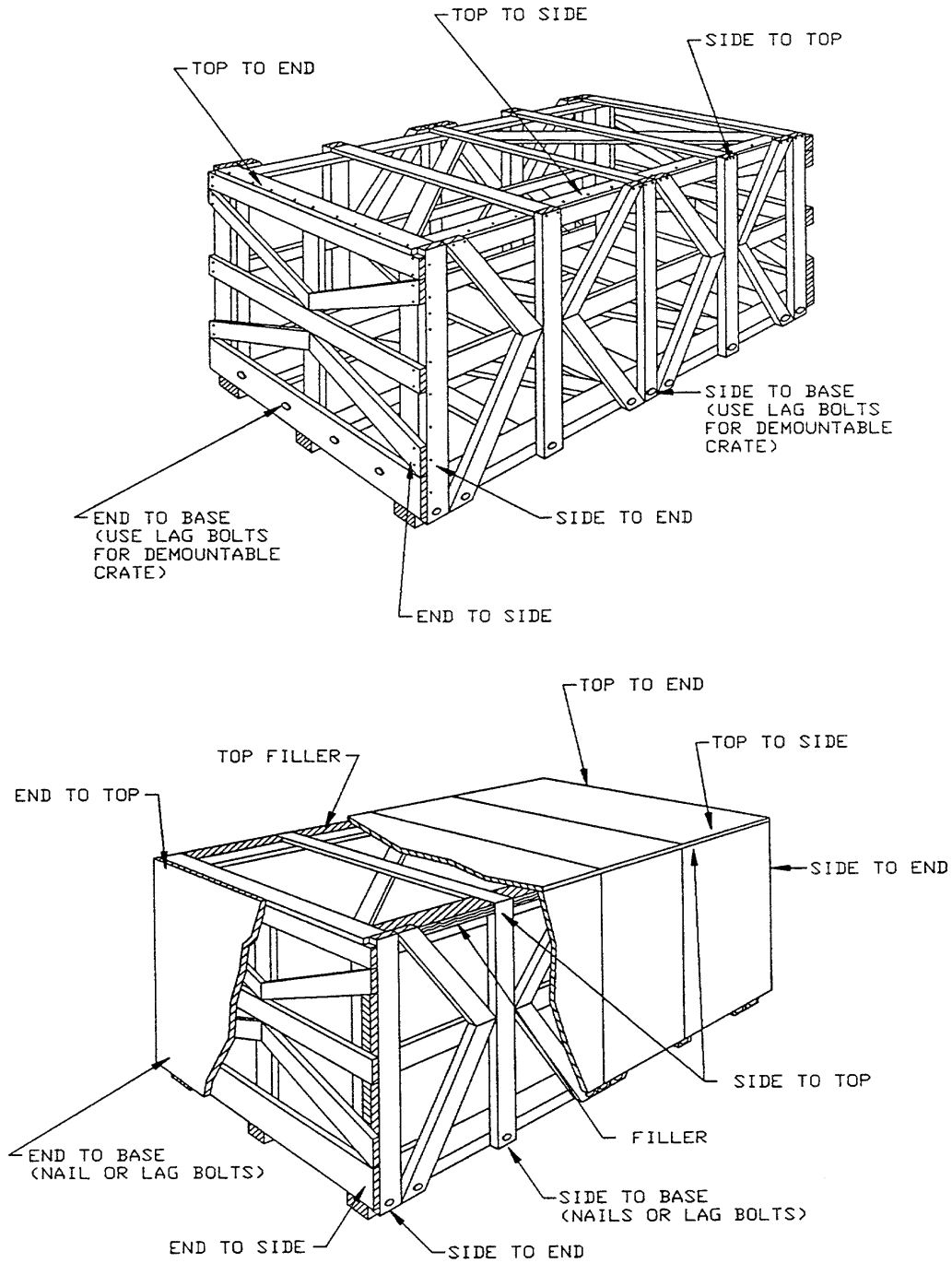
Fabrication of Open Bolted Crates

Skid base

Skids

The size of the skids is based upon the net load and the outside length of the crate, as stated in table 6-12. The number of skids are dictated by the item being packed. However, the clear distance between any adjacent skid is limited to 48 inches center to center (fig 6-39).

MIL-C-52950A



SMPT 2984A

Figure 6-38. Type V, style B crate (MIL-C-52950), open and covered.

To prevent splitting, place one carriage bolt crosswise to two to three inches back from each end of the skid (fig 6-39). When necessary, splice and laminate skids according to the details shown on figure 6-55.

Rubbing Strip

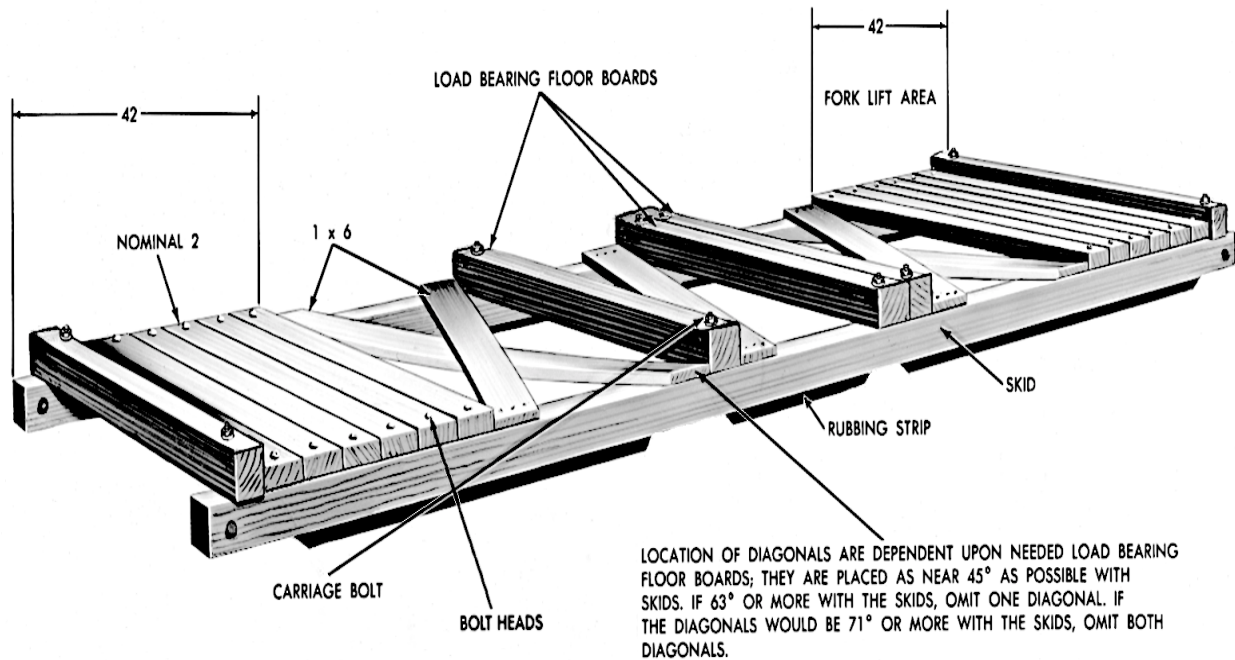
Rubbing strips are required on all 4 X 4-inch skids and must be at least 2 inch material, approximately as wide as the skid. Bevel these members at a 45° angle and set back approximately 8 inches from the ends of the skids. Bevel the inner ends of the notches at a 45° angle. These areas will serve as sling points and for forklift entries.

Headers

The sizes of end headers and bolts are outlined as follows:

Skid size (inches)	Header size (inches)	Bolt diameter (inches)
2 X 4	2 X 4	3/8
3 X 3	3 X 3	3/8
4 X 4	4 X 4	1/2
4 X 6 (in edge)	4 X 4	1/2

Extend headers beyond the outside faces of the outer skids three-fourths of an inch to support the lower frame members of the sides.



NOTE: ALL DIMENSIONS ARE IN INCHES.

SMPT 262B

Figure 6-39. Skid base for bolted crate (MIL-C-3774).

Load Bearing Floorboards

Place load bearing floorboards where the concentrated loads. Determine the size of load bearing floorboards from table 6-4. The end floorboards of 2 inch flooring may be considered as load-bearing within limits of their within limits of their assigned values. The load-bearing members shall be placed with the ends flush with the outside faces of the skids, as shown in figure 6-39, and bolted to each skid with carriage bolts. One bolts shall be used at each skid crossing for widths not exceeding 4 inches and two bolts, for greater widths. Size of carriage bolts shall be the same as those used in the end headers.

Forklift Area

The forklift area extends over the area of 42 inches in from the ends of the skids and may consist of the following:

- o Forklift headers spaced 20 to 40 inches in from each end header.
- o 2-inch-thick boards extending 42 inches in from each end.
- o Plywood for narrow crates.

Diagonals

1 X 6-inch diagonals are used between forklift areas and loadbearing members. The diagonals are nailed to the skids and to each other where they intersect.

Sides

The sides consist of upper, lower, and intermediate members, vertical struts, diagonals, and corner sheathing.

Side Panels

The design of the side panel is illustrated in figure 6-40. The number of diagonals will depend upon the size of the crate.

Member Selection

The sizes of the upper, lower, and intermediate longitudinal members are based upon the gross weight and length of the crate as stated in table 6-13.

Table 6-12. Skid Sizes of Bolted MIL-C-3774 Crates

Maximum Net Load	Maximum length of crate	Size of skids
<i>Pounds</i>	<i>Feet</i>	<i>Inches</i>
2,000	12	3 x 4
4,000	¹ 40	4 x 4
5,000	20	4 x 4
10,000	16	4 x 4
5,000	32	4 x 6 (on edge)
16,000	20	4 x 4 (on edge)

¹ For lengths over 32 feet, crate heights shall be no less than 8 feet.

Table 6-13. Frame-member Sizes (Sides of Bolted Crates)

Limits		Size of members		
Length	Net load	Upper frame members	Lower frame members	Horizontal brace
<i>Feet</i>	<i>Pounds</i>	<i>Inches</i>	<i>Inches</i>	<i>Inches</i>
2 1/2	500	3 5/8 x 4	3 5/8 x 4	3 5/8 x 4
10	2,000	1 x 4	1 x 4	1 x 4
16	4,000	1 x 6	1 x 6	1 x 6
12	8,000	1 x 6	1 x 6	1 x 6
40	4,000	2 x 4	2 x 6	2 x 4
16	10,000	2 x 4	2 x 6	2 x 4
20	10,000	2 x 6	2 x 8	2 x 4
20	16,000	2 x 8	2 x 10	2 x 8

- NOTES: 1/ For crates of 48 inches and over
 2/ Size limits of crates. In addition to the 12 foot length and 500 pound gross weight limit, this crate having 5/8 inch members shall be limited to 4 foot widths and 6 foot heights maximum.
 3/ Actual thickness of members equals 5/8 inch.
 4/ Crates over 32 feet in length shall be not less than 8 feet in height. Open bolted crates cannot be fabricated in lengths over 32 feet if the height is less than 8 feet. Long crates less than 8 feet high shall be fabricated in accordance with the requirements of MIL-C-104.

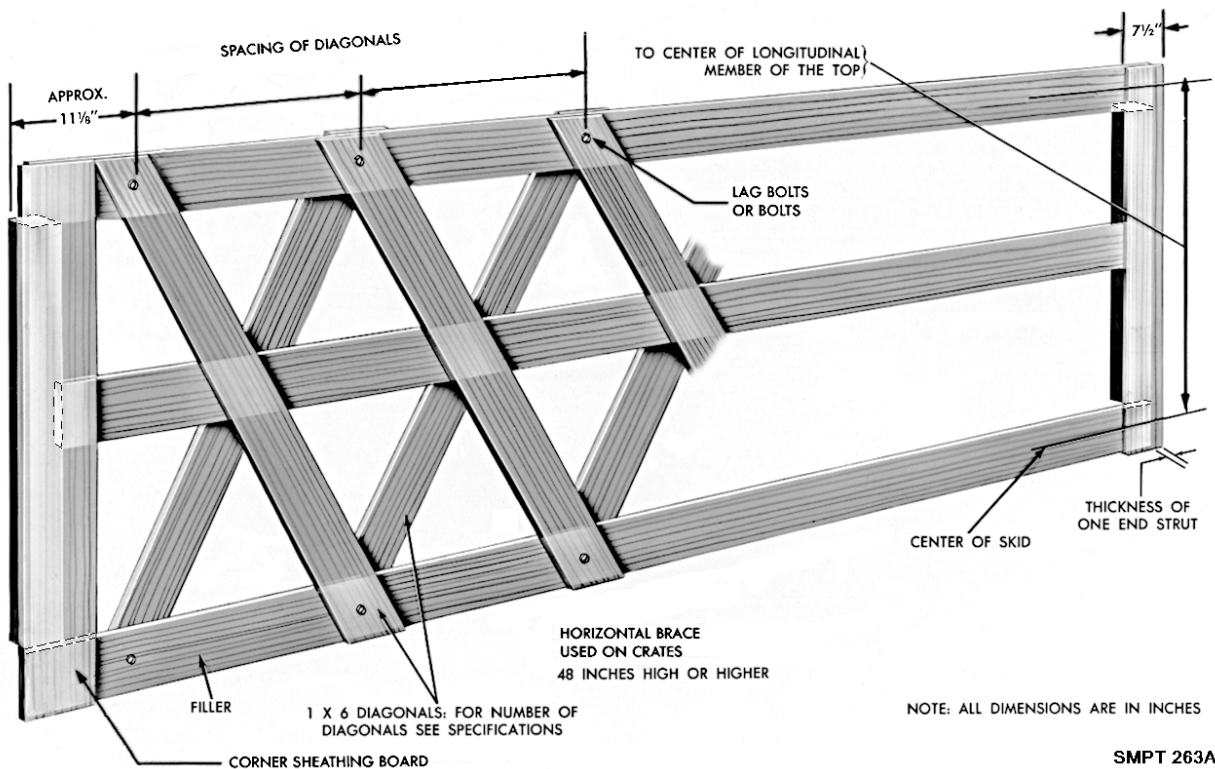


Figure 6-40. Side for bolted crate (MIL-C-3774).

Diagonals

Use 5/8 X 6 inch diagonals for crates not exceeding 12 feet in length, 4 feet in width and 6 feet in height, with a maximum net load of 500 pounds. Use 1 X 8 inch for crates exceeding 32 feet in length and 12 feet in height. Use 1 X 6-inch for all other conditions. See table 6-14 for the spacing of the diagonals. One-half of the diagonals shall be nailed to the outside of the longitudinal frame members and the other half shall be nailed to the inside of the same members, sloped in the opposite direction. The points of fastening of the diagonals, except at the end ones, to the longitudinal members shall be the same for inside and outside diagonals to permit the same lag bolts or bolts to pass through both diagonals. At the ends of the upper and lower frame members where no diagonal is present on the inside surface of the member, a filler block 12 inches long, the same thickness as one diagonal and the same width as the frame member, shall be used to provide continuous bearing. The number of diagonals is determined by the spacing of the diagonals.

Both inner and outer diagonals shall be nailed to each 2-inch horizontal member with sevenpenny nails in patterns as shown on figure 6-50.

The outer diagonals shall be nailed to each 1-inch horizontal member with six nails, three driven from each side, and clinched.

The inner diagonals shall be nailed to each horizontal member with sevenpenny nails as shown on figure 6-40. When 5/8-inch frame members are used, the nail sizes shall be reduced as required.

Vertical Struts or Corner Posts

Fabricate these members from not less than 3 X 3-inch material. These pieces must be continuous from the upper longitudinal frame member of the side to both the lower longitudinal frame member of the side and the end floorboard member. Notch the members when the top of the end floorboard does not come even with the top of the lower longitudinal member of the side. Corner posts or vertical struts are designed to receive the lag bolts from the ends of the crate.

Corner Sheathing

Locate this material on the outside at each corner of the crate. Boards used at each end of the sides must be at least 1 X 8-inch pieces, except when diagonals and are 5/8-inch-thick, the sheathing is 5/8 X 8-inch material. Nail sheathing boards to the vertical struts and corner posts with two rows (staggered pattern) of ninepenny nails. Space 8 inches apart within each row. Nail sheathing boards to 2-inch longitudinal members with clinched eightpenny nails, five at each joint. Secure to 1-inch longitudinal members with clinched nails. Use pattern shown in figure 6-50.

Ends

The ends consist of the upper, lower and intermediate longitudinal members which are the same size as the corresponding members of the sides (fig 6-41). Intermediate longitudinal members are required only when crates are 48 inches high or higher. Vertical struts of the ends are one continuous piece. All diagonal members of the ends are not less than 1 X 6-inch material. An X frame pattern is required when the width of the crate is not more than 1 1/2 times the height. When this limit is exceeded, a two-X frame pattern is required.

Partial Sheathing (Corner)

The outside vertical sheathing boards are not less than 1 X 6 inch for net loads up to 3,000 pounds, and not less than 1 X 8 inch boards for net loads over 3,000 pounds. Nail the corner board to the struts with two rows of sixpenny nails (staggered pattern). Space them 8 inches apart in each row and clinch.

Top Panels (fig 6-42)

Determine the number of panels to use by the length and width of the crate. Place the diagonal frame members as near to 45° angles as possible.

Frame Members

Use 2 X 4-inch (one edge) or 3 X 3 inch members for contents up to 4,000 pounds. Over 4,000 pounds, use 4 X 4 inch pieces. Nail 2-inch crosswise end members with twelvepenny nails, three at each joint. Nail through the side grain of the edge member into the end grain of the end member. Nail 3 X 3-inch and 4 X 4 inch crosswise end members with twelvepenny nails, three at each joint, toenailed from the edge member into the crosswise end member.

Diagonal Members

All diagonal members are 1 X 6 inch boards. Nail diagonals to longitudinal members with eightpenny nails. Where diagonals cross each other, use sevenpenny nails, five at each crossing, and clinch.

End Sheathing Boards

All end sheathing boards of the top are 1 X 8 inch in size. Nail the end sheathing boards to the frame member of the top with two rows of eightpenny nails spaced 4 inches apart in a single line for 2 X 4 inch frame members. For larger members the nails are staggered. Nail sheathing boards to longitudinal members with eightpenny nails.

Table 6-14. Spacing of Diagonals for MIL-C-3774 Crates

Maximum spacing	Thickness of longitudinal members	Crate size	
		Height	Width
<i>Inches</i>	<i>Inches</i>	<i>Feet</i>	<i>Feet</i>
24	2	to 6	to 6
18	2	6-12	6-8
¹ 18	2	12-16	to 5
24	1	to 6	to 4
18	1	6-12	4-8

¹ For crates over 32 feet in length.

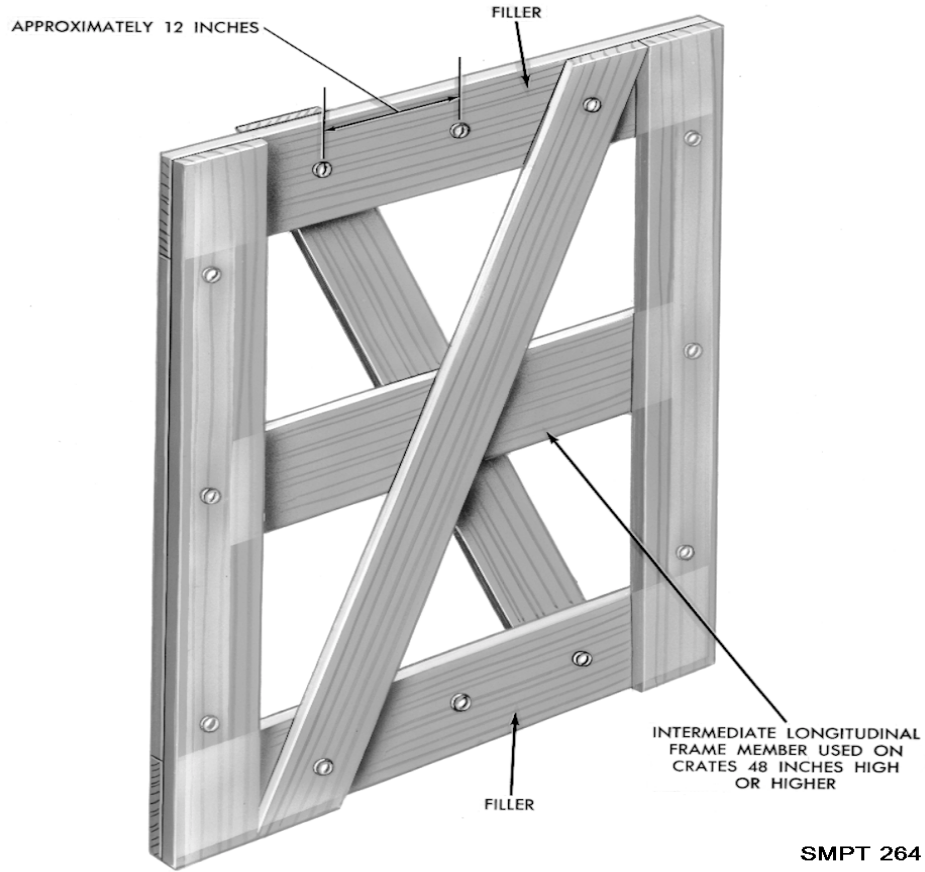


Figure 6-41. End for bolted crate (MIL-C-3774).

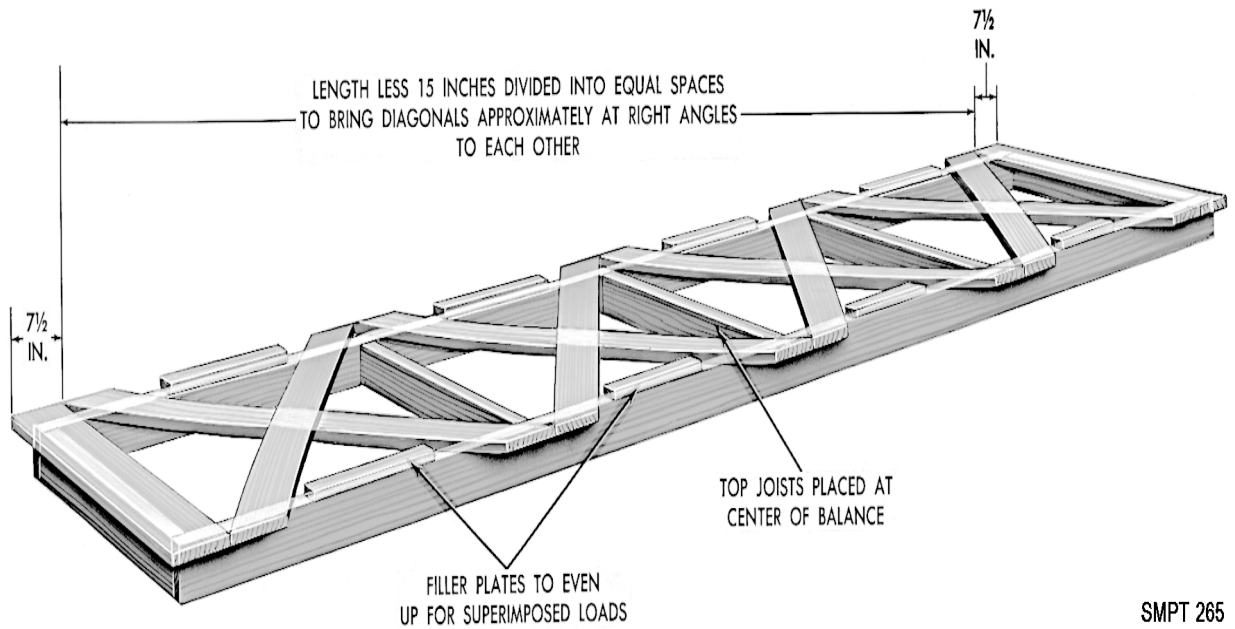


Figure 6-42. Top for bolted crate (MIL-C-3774).

Filler Strips

Fabricate filler strips from 1 X 4-inch material. Place them between the diagonals and nail. This will level the top in order to accommodate superimposed loads. Secure these strips with sixpenny nails spaced 6 inches apart.

Top Joists

Determine the size of the top joists by the width of the crate and the net weight of contents as specified in table 6-15. A single joist shall be placed between the longitudinal frame members and at the center of balance. For long crates or for crates over 10,000 pounds in weight, two sets of joists shall be used and placed not more than 43 inches on each side of the center of balance. Nail through the 2 inch longitudinal members into the end grain of the top joist with twelvepenny coated nails, three in each joist. For 4 inch joist, use five nails. Toenail joist with twelvepenny coated nails.

ASSEMBLY OF BOLTED CRATES

Requirements for Lag Bolts or Bolts

Lag bolts may be used as fasteners for assembling the various panels of a bolted crate (fig 6-5). When a single diagonal occurs on the inside of a longitudinal member, use a three-fourths inch shorter lag bolt or bolt. When the diagonal is on the outside of the frame member, use a 3/4-inch filler strip between the frame member and the member to which the part is being fastened (fig 6-41). If bolts are used, they must be machine bolts with washers placed under both the head and the nut. Use washers under the heads of all lag bolts. Space 3/8-inch lag bolts or bolts not more than 24 inches apart. Space 1/2-inch lag bolts or bolts not more than 30 inches apart. Space 5/8-inch lag bolts or bolts more than 36 inches apart. Assembly of the panels (fig 6-43).

Fastening the Sides to the Base

The size and number of lag bolts used to fasten the side panels to the base are determined by the weight contents, the wood group used, and the width and thickness of the members as specified in table 6-13. The number of lag bolts or bolts specified in the tables are given for both side panels, one-half the number to be used on each side.

Connector plates may be used between the diagonals and skids. When used, use only half the number of lag bolts or bolts specified in tables 6-20 and 6-21. As an example, if the gross load is 8,000 pounds, use the number of bolts required in tables for 4,000 pounds. Use the correct diameter and length of fasteners specified in tables 6-16 or 6-17, through each pair of diagonals, through the lower longitudinal member of the side, and into the sides of the skids.

Fastening the Side Panels to the Top

Determine the size and number of lag bolts or bolts used to fasten the side panels to the top from the thickness of the diagonals and top frame members of the side, and the width of the longitudinal frame member of the top. Use 1/2-inch lag bolts or bolts when the combined thickness of the diagonals, the upper edge member of the side, and the longitudinal member of the top, is 4-3/4 inches or more; use 3/8-inch fasteners when the sum is less.

The length of the lag bolt should be approximately equal to the sum of the three or four thicknesses. Bolts should be long enough to accommodate the nut and washers (under head and nut).

Secure the side panel to the top by using a lag bolt or bolt through each pair of diagonals and upper longitudinal member of the side, and into the longitudinal member of the top. This is required around the perimeter of the crate (fig 6-5).

Table 6-15. Joist Sizes

Size of joist	Limits	
	Gross load	Length (crate width)
<i>Inches</i>	<i>Pounds</i>	<i>Inches</i>
2 x 4	1,000	72
2 x 4	2,000	60
2 x 4	3,000	48
2 x 4	5,000	36
4 x 4	10,000	¹ 96
² 4 x 4	16,000	96

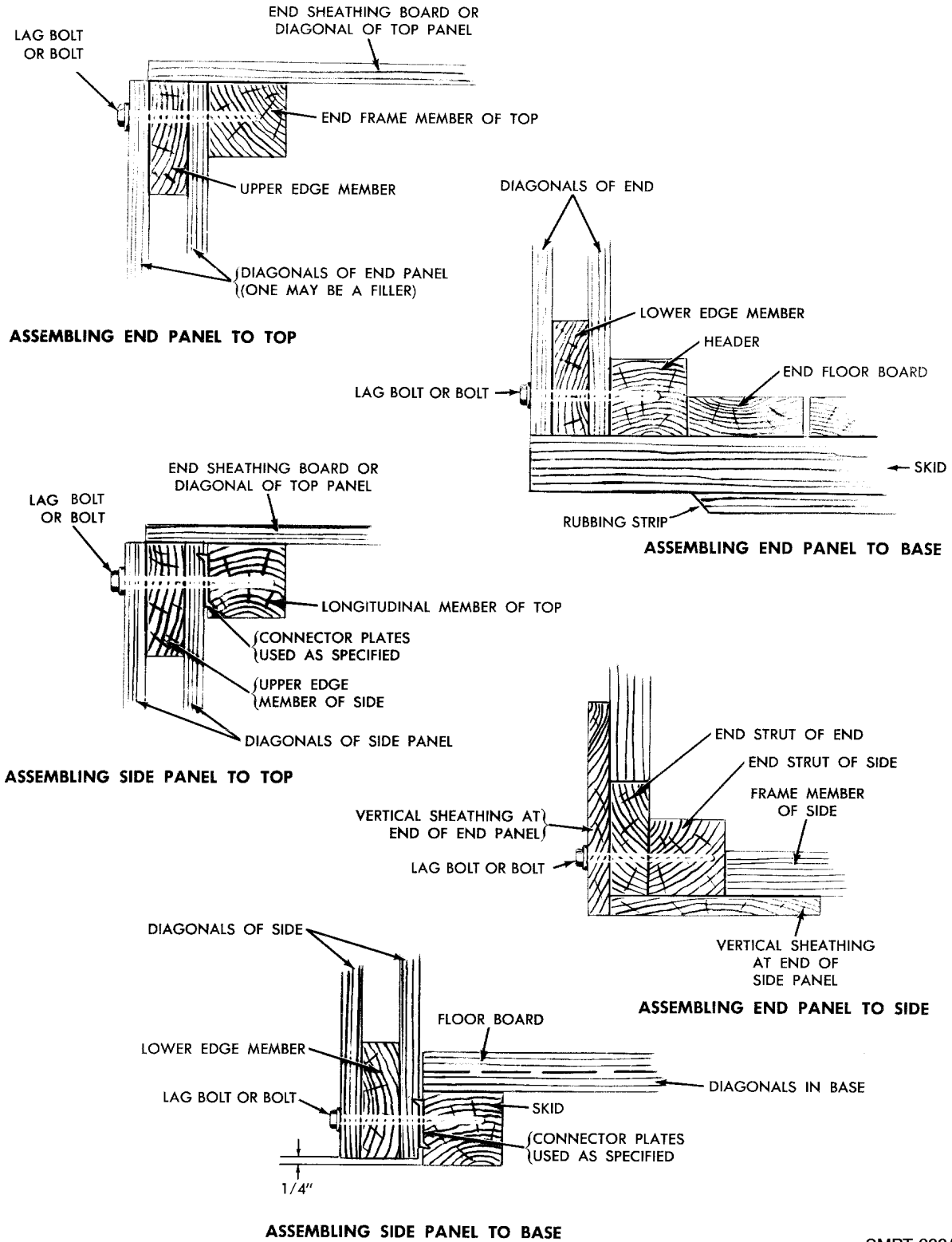
¹ Use two joists for greater widths of top.

² Use two joists.

Table 6-16. Number of Lag Bolts for Assembling Sides to Base of Bolted Crates; Where Nominal 1-inch Longitudinal Members Are Used in Sides and Nominal 4-inch Wide Skids Are Used

Net load 1/ Pounds	1/2 by 6-inch lag				1/2 by 5-1/2-inch lag				3/8 by 6-inch lag				3/8 by 5-1/2-inch lag			
	G1 I	G II	G III	G IV	G I	G II	G III	G IV	G I	G II	G III	G IV	G I	G II	G III	G IV
8,000	28	24	22	18	32	28	24	22	32	28	26	22	36	32	30	26
7,000	24	22	18	16	28	24	22	18	28	24	22	20	32	28	26	22
6,000	20	18	16	14	24	20	18	16	24	22	18	16	28	24	22	18
5,000	18	16	14	12	20	18	16	14	20	18	16	14	22	20	18	16
4,000	14	12	10	10	16	14	12	10	16	14	12	10	18	16	14	12
3,000	10	10	8	6	12	10	10	8	12	10	10	8	14	12	10	10
3,000	1/2 by 5 inch lag								3/8 by 4-1/2 inch lag							
	18	16	14	12					20	18	16	14				
2,500	14	12	12	10					16	14	12	10				

Note. Refers to the wood group and applies to the skids. If bolts are used, they shall be the same number and diameter as given for lag bolts.



SMPT 266A

Figure 6-43. Assembly details for bolted crates (MIL-C-3774).

Table 6-17. Number of Lag Bolts for Assembling Sides to Base of Bolted Crates; Where Nominal 2-inch Longitudinal Members Are Used in Sides and Nominal 4-inch Wide Skids Are Used

Net load 1/ <i>Pounds</i>	5/8 by 7-inch lag				1/2 by 7-inch lag				1/2 by 6-1/2-inch lag				1/2 by 6-inch lag			
	G I	G II	G III	G IV	G I	G II	G III	G IV	G I	G II	G III	G IV	G I	G II	G III	G IV
16,000	48	44	36	32	56	48	44	36	64	56	48	44	74	68	60	52
14,000	40	36	32	28	48	44	36	32	56	48	44	36	64	60	52	44
12,000	36	32	28	24	40	36	32	28	48	40	36	32	56	52	44	40
10,000	30	26	24	20	34	30	28	24	40	34	32	26	46	42	38	32
9,000	26	24	22	18	30	28	24	22	36	32	28	24	42	38	34	28
8,000	24	22	18	16	28	24	22	18	32	28	24	22	38	34	30	26
7,000	20	18	16	14	24	22	18	16	28	24	22	18	32	30	26	22
6,000	18	16	14	12	20	18	16	14	24	20	18	16	28	26	22	20
5,000	14	14	12	10	18	16	14	12	20	18	16	14	24	20	18	16
4,000	12	10	10	8	14	12	10	10	16	14	12	10	18	16	14	12
3,000	10	8	8	6	10	10	8	8	12	10	10	8	14	12	12	10

¹Refers to the wood groups and applies to the skids.

Note. If bolts are used, they shall be the same number and diameter as given for lag bolts.

Table 6-18. Skid Sizes for Nailed MIL-C-3774 Crates

Maximum net load <i>Pounds</i>	Maximum length of crate <i>Feet</i>	Size of skids <i>Inches</i>
500	12	2 X 4
2,000	12	3 X 3
10,000	16	4 X 4
12,000	16	4 X 6 (on edge)

Table 6-19. Size of Side and End Sills

Net weight of contents <i>Pounds</i>	Height in feet	Length of crate (feet)			
		4	8	12	16
2,500 to 4,000	Over 3	2 X 4	2 X 4	2 X 6	2 X 6
	3 or under	2 X 8	2 X 8	2 X 6	2 X 6
4,001 to 6,000	Over 3	2 X 4	2 X 6	2 X 6	2 X 6
	3 or under	2 X 8	2 X 6	2 X 6	2 X 6
6,001 to 8,000	Over 3	2 X 6	2 X 6	2 X 6	2 X 8
	3 or under	2 X 6	2 X 6	2 X 6	2 X 10
8,001 to 10,000	Over 3	2 X 6	2 X 8	2 X 8	2 X 8
	3 or under	2 X 6	2 X 10	2 X 10	2 X 10
10,001 to 12,000	Over 3	2 X 8	2 X 8	2 X 10	2 X 10
	3 or under	2 X 10	2 X 10	2 X 12	2 X 12

Fastening the End Panels

The diameter and length of the lag bolts or bolts for fastening the ends of the crate to the top, bottom, and sides, is determined in a manner similar to that for fastening the sides to the top.

End Panels to the Top

The size and length of fastener will depend upon the thickness of one or two diagonals or fillers, the top horizontal frame member of the end, and the width of the crosswise frame member to the top.

End Panels to the Base

The size and length of fasteners for securing the end panels to the base is the same as above.

End Panels to the Side Panels

The size and length of fasteners to secure the end panels to the side panels is as specified for fastening the sides to the top. For 5/8-inch frame in the end, for loads not exceeding 500 pounds, use 5/16-inch diameter lag screws or bolts.

Corner Strapping

Use corner strapping on all nailed and bolted crates carrying a net load of 3,000 pounds or over, to reinforce the corners and to reinforce the crate at the junction of the panel (fig 6-4). Fabricate all corner straps from 1-1/4 X .035-inch steel banding, 12 inches in length.

Apply three straps on each of the four upper corners of the crate and secure to the frame members with sixpenny nails, four in each leg of the strap. Space approximately 2 inches center to center.

Apply single straps at 36-inch intervals from the corners in all directions and nail to the frame members.

OPEN NAILED CRATES (MIL-C-3774)

DESIGN REQUIREMENTS

Nondemountable crates may be designed with either a sill or skid-type base, depending upon the requirements for the item being packed.

Skid Bases

Skid bases for open nailed crates are constructed almost identical to the bases used for bolted crates (fig 6-39).

Skid Sizes

The size of skids depends upon the net load and the length of the crate (table 6-18).

Headers

Headers are bolted to the skids with carriage bolts. The sizes of end headers and bolt sizes are as follows:

Skid size (inches)	Header size (inches)	Bolt diameter (inch)
2 X 4	2 X 4	3/8
3 X 3	3 X 3	3/8
4 X 4	4 X 4	1/2
4 X 6 (on edge)	4 X 4	1/2

Set the headers or end floorboards back from the ends of the skids the thickness of the end sheathing. When necessary, notch the headers at their ends down flush with the top of the floorboards. These notches will then accommodate and support the lower edge members of the sides. Extend the headers to the outside faces of the outer skids. The end of the base will be similar to the base of the MIL-C-104 crate (fig 6-53).

Load Bearing Floorboards

See table 6-4 for sizes.

Forklift Area

Refer to the requirements stated in bolted crate section.

Nonload Bearing Floorboards (Diagonals)

Refer to the requirements stated in bolted crate section.

Sill Bases

Sill bases are designed for loads to be transmitted to the sides by means of intermediate sills or by the end sills. The size of the side sills is based upon the weight of the contents and the length of the crate. However, sill spacing shall not exceed 48 inches center to center, whether required for transmitting loads or for bracing (fig 6-44).

Side and End Sills

The size of the side sills is obtained from table 6-19. End sills are the same size as the side sills. Overlap the side sills over the end sills and nail at the corners using twentypenny coated nails. When necessary, laminate the sills.

Intermediate Sills

Apply intermediate sills either crosswise or lengthwise of the crate. These members are always required when the width of the crate exceeds 48 inches. Determine the size by the length of the sill and the actual weight supported by the sill. Refer to table 6-31 to calculate the intermediate sill size.

Attach intermediate sills at their ends to the side or end sills by a combination of nailing and metal hangers (strap or stirrup) (fig 6-16). Metal hangers are not required for fastening nonload bearing intermediate sills.

Bridging

Use bridging to prevent the sills from buckling and to strengthen the base. Bridge intermediate sills at their ends, except when positioned on their flat faces, with 1 inch lumber of the same depth. Nail to the inner face. Reinforce spans 5 feet or over (either length or width of the crate) with 2 inch lumber the same depth as the sills. Position the reinforcing members at right angles to the sills.

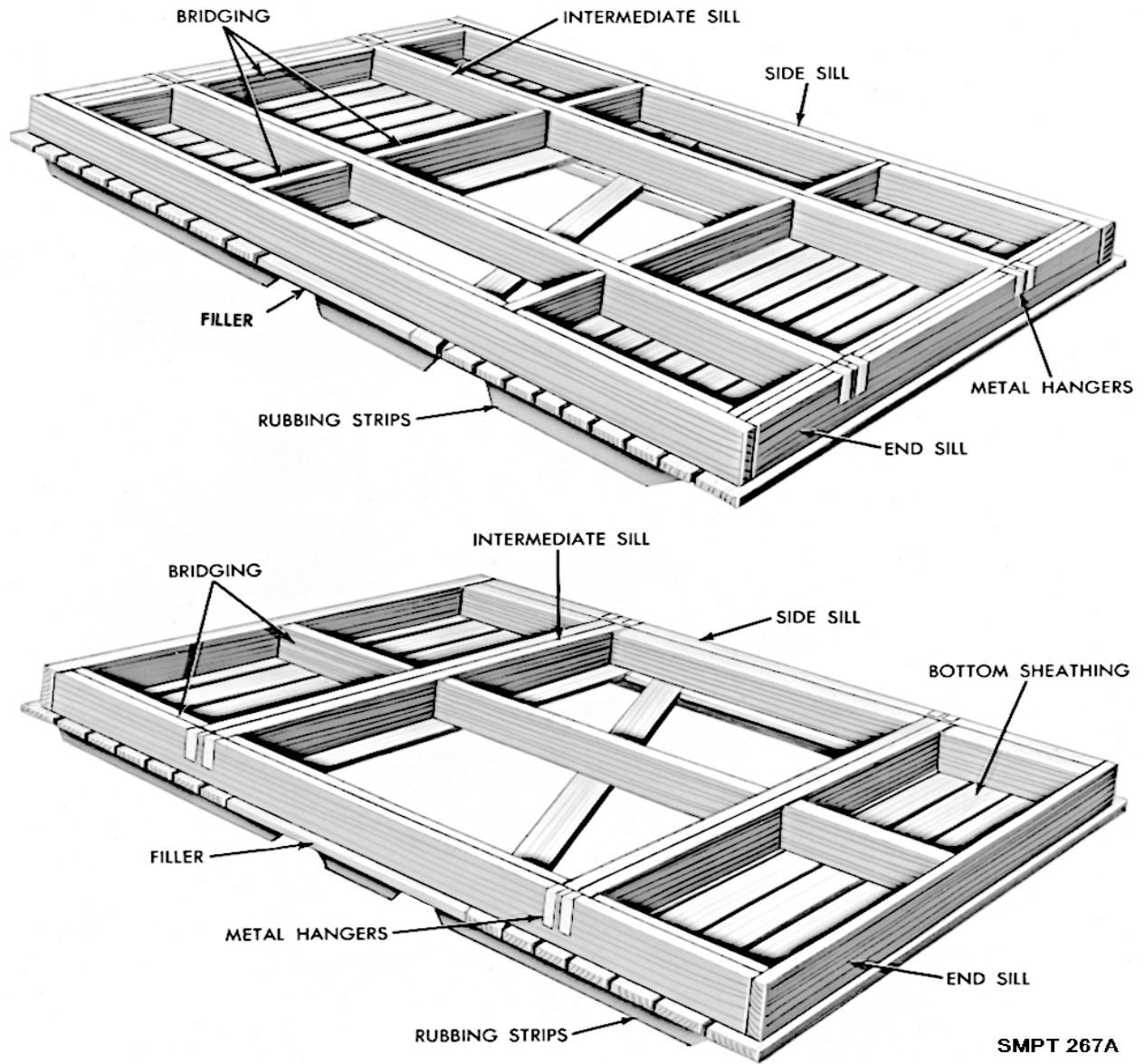


Figure 6-44. Sill base for nailed crate (MIL-C-3774).

Bottom Sheathing

Position bottom sheathing and nail crosswise to the base (at right angles to the direction of the side sills). Space the boards 1/4 to 3/8 inch apart for drainage. Use boards 4 to 10 inches wide. For the forklift area (42 in. from each end of the base) use 2 inch lumber. Use one piece sheathing boards and extend them 1/2 to 5/8 of an inch beyond the outside faces of the side and end sills. Place at least one diagonal in the unsheathed portion of the base.

Rubbing Strips

Position rubbing strips lengthwise to the crate under each longitudinal sill. Rubbing strips are always 2 inches thick and not less than 4 inches wide. The clear distance between rubbing strips should not exceed 30 inches. Cut sling notches 8 inches long in each end of the rubbing strip. Use filler strips in the unsheathed area between the sill and the rubbing strip where voids occur.

Sides

The sides consist of upper and lower frame members, vertical struts, horizontal braces, diagonals, and gusset plates (fig 6-45).

Design of the Side Panels

Determine the design of the side panel from the inside length and inside height of the crate. For crates up to 48 inches inside height use an X type frame and for crates with an inside height of over 48 inches use a HK type frame.

Member Selection

Determine the sizes of the upper and lower members, struts, and diagonals from tables 6-20 and 6-21 with the exception of the end strut or corner post. Loads referred to in the table are based on the net weight of the contents and the inside dimensions of the crate. If the exact size of the crate is not given in the table, use the member size for the crate of the next longer length, the next greater width, and next smaller height.

Use 1 X 4 inch lumber for members and diagonals and 2 X 4 inch lumber for upper edge members when the height of the crate is 6 feet or less and the load does not exceed 4,000 pounds. Use 1 inch lumber for the lower edge members, struts and diagonals, and 2 inch lumber for the upper edge members and end struts when the height of the crate is under 6 feet and the load is over 4,000 pounds. Use 2 X 4 inch lumber for the upper and lower edge members, struts and diagonals, when the height of the crate is over 6 feet.

Upper, Lower, and Intermediate Members

The members are required to be a single continuous piece. If splicing is required, splice the members according to the details shown in figure 6-54. All splicing should be made under or over a strut whenever possible. Splicing 1 inch material is not permitted. The size of these members is based upon the gross weight and length of the crate. Intermediate members (horizontal braces) are used only for crates of the HK type.

Table 6-20. Panel Member Selection (6,000, 8,000 and, and 10,000 Pounds Net Load)¹

Length	Members	Net load	4-foot width				6-foot width			8-foot width				
			Height (feet)				Height (feet)			Height (feet)				
			2	4	6	8	2	4	6	8	2	4	6	8
<i>Feet</i>		<i>Pounds</i>												
6	Upperframe members	6,000	2 X 4	2 X 4	2 X 4	2 X 4	2 X 4	2 X 4	2 X 4	2 X 4	2 X 4	2 X 4	2 X 4	2 X 4
	Lower frame members	6,000	2 X 4	2 X 4	2 X 4
	Struts	6,000	2 X 4	2 X 4	2 X 4
	Diagonals	6,000	2 X 4	2 X 4	2 X 4
8	Upper frame member	6,000	2 X 4	2 X 4	2 X 4	2 X 4	2 X 4	2 X 4	2 X 4	2 X 4	2 X 4	2 X 4	2 X 4	2 X 4
	Lower frame member	6,000	2 X 4	2 X 4	2 X 4
	Struts	6,000	2 X 4	2 X 4	2 X 4
	Diagonals	6,000	2 X 4	2 X 4	2 X 4
10	Upper frame member	6,000	2 X 4	2 X 4	2 X 4	2 X 4	2 X 4	2 X 4	2 X 4	2 X 4	2 X 4	2 X 4	2 X 4	2 X 4
	Lower frame member	6,000	2 X 4	2 X 4	2 X 4
	Struts	6,000	2 X 4	2 X 4	2 X 4
	Diagonals	6,000	2 X 4	2 X 4	2 X 4
12	Upper frame member	6,000	2 X 4	2 X 4	2 X 4	2 X 4	2 X 4	2 X 4	2 X 4	2 X 4	2 X 4	2 X 4	2 X 4	2 X 4
	Lower frame member	6,000	2 X 4	2 X 4	2 X 4
	Struts	6,000	2 X 4	2 X 4	2 X 4
	Diagonals	6,000	2 X 4	2 X 4	2 X 4
16	Upper frame member	6,000	2 X 6	2 X 4	2 X 4	2 X 4	2 X 6	2 X 4	2 X 4	2 X 4	2 X 6	2 X 4	2 X 4	2 X 4
	Lower frame member	6,000	2 X 4	2 X 4	2 X 4
	Struts	6,000	2 X 4	2 X 4	2 X 4
	Diagonals	6,000	2 X 4	2 X 4	2 X 4
6	Upper frame member	8,000	2 X 4	2 X 4	2 X 4	2 X 4	2 X 4	2 X 4	2 X 4	2 X 4	2 X 4	2 X 4	2 X 4	2 X 4
	Lower frame member	8,000	2 X 4	2 X 4	2 X 4
	Struts	8,000	2 X 4	2 X 4	2 X 4
	Diagonals	8,000	1 X 6	2 X 4	1 X 6	2 X 4	1 X 6	2 X 4
8	Upper frame member	8,000	2 X 4	2 X 4	2 X 4	2 X 4	2 X 4	2 X 4	2 X 4	2 X 4	2 X 4	2 X 4	2 X 4	2 X 4
	Lower frame member	8,000	2 X 4	2 X 4	2 X 4
	Struts	8,000	2 X 4	2 X 4	2 X 4
	Diagonals	8,000	1 X 6	2 X 4	1 X 6	2 X 4	2 X 4	2 X 4
10	Upper frame member	8,000	2 X 4	2 X 4	2 X 4	2 X 4	2 X 4	2 X 4	2 X 4	2 X 4	2 X 4	2 X 4	2 X 4	2 X 4
	Lower frame member	8,000	2 X 4	2 X 4	2 X 4
	Struts	8,000	2 X 4	2 X 4	2 X 4
	Diagonals	8,000	1 X 6	2 X 4	1 X 6	2 X 4	1 X 6	2 X 4
12	Upper frame member	8,000	2 X 6	2 X 4	2 X 4	2 X 4	2 X 6	2 X 4	2 X 4	2 X 4	2 X 6	2 X 4	2 X 4	2 X 4
	Lower frame member	8,000	2 X 4	2 X 4	2 X 4
	Struts	8,000	2 X 4	2 X 4	2 X 4
	Diagonals	8,000	1 X 6	2 X 4	1 X 6	2 X 4	1 X 6	2 X 4
16	Upper frame member	8,000	2 X 4	2 X 4	2 X 4	2 X 4	2 X 4	2 X 4	2 X 4	2 X 4	2 X 4	2 X 4	2 X 4	2 X 4
	Lower frame member	8,000	2 X 4	2 X 4	2 X 4
	Struts	8,000	2 X 4	2 X 4	2 X 4
	Diagonals	8,000	1 X 6	2 X 4	1 X 6	2 X 4	1 X 6	2 X 4

Table 6-20. Panel Member Selection (6,000, 8,000 and, and 10,000 Pounds Net Load)¹ (Continued)

Length	Members	Net load	4-foot width				6-foot width				8-foot width			
			Height (feet)				Height (feet)				Height (feet)			
			2	4	6	8	2	4	6	8	2	4	6	8
<i>Feet</i>		<i>Pounds</i>												
6	Upper frame members	10,000	2 X 4	2 X 4	2 X 4	2 X 4	2 X 4	2 X 4	2 X 4	2 X 4	2 X 4	2 X 4	2 X 4	2 X 4
	Lower frame members	10,000	2 X 4	2 X 4	2 X 4	2 X 4
	Struts	10,000	2 X 4	1 x 6	2 X 4	1 X 6	2 X 4	2 X 4
	Diagonals	10,000	1 X 6	2 X 4	1 X 6	2 X 4	1 X 6	1 X 6	2 X 4
8	Upper frame member	10,000	2 X 4	2 X 4	2 X 4	2 X 4	2 X 4	2 X 4	2 X 4	2 X 4	2 X 4	2 X 4	2 X 4	2 X 4
	Lower frame member	10,000	2 X 4	2 X 4	2 X 4	2 X 4
	Struts	10,000	2 X 4	2 X 4	2 X 4	2 X 4
	Diagonals	10,000	1 X 6	2 X 4	2 X 4	1 X 6	1 X 6	1 X 6	2 X 4	1 X 6	1 X 6	1 X 6	2 X 4
10	Upper frame member	10,000	2 X 4	2 X 4	2 X 4	2 X 4	2 X 4	2 X 4	2 X 4	2 X 4	2 X 4	2 X 4	2 X 4	2 X 4
	Lower frame member	10,000	2 X 4	2 X 4	2 X 4
	Struts	10,000	1 X 6	2 X 4	1 X 6	2 X 4	1 X 6	2 X 4
	Diagonals	10,000	1 X 6	1 X 6	2 X 4	1 X 6	1 X 6	1 X 6	2 X 6	1 X 6	1 X 6	1 X 6	2 X 6
12	Upper frame member	10,000	2 X 6	2 X 4	2 X 4	2 X 4	2 X 6	2 X 4	2 X 4	2 X 4	2 X 6	2 X 4	2 X 4	2 X 4
	Lower frame member	10,000	2 X 4	2 X 4	2 X 4	2 X 4	2 X 4
	Struts	10,000	1 X 6	2 X 4	1 X 6	2 X 4	1 X 6	2 X 4
	Diagonals	10,000	1 X 6	1 X 6	2 X 4	1 X 6	1 X 6	2 X 4	2 X 4	1 X 6	1 X 6	2 X 4	2 X 4
16	Upper frame member	10,000	2 X 8	2 X 6	2 X 4	2 X 4	2 X 8	2 X 6	2 X 4	2 X 4	2 X 8	2 X 6	2 X 4	2 X 4
	Lower frame member	10,000	2 X 4	2 X 4	2 X 4	2 X 4	2 X 4
	Struts	10,000	2 X 4	2 X 4	2 X 4	1 X 6	2 X 4	2 X 4
	Diagonals	10,000	1 X 6	1 X 6	1 X 6	2 X 4	1 X 6	1 X 6	2 X 4	2 X 4	1 X 6	1 X 6	2 X 4	2 X 6

¹All blank spaces are 1 X 4's
 Note. See text for size of end struts of sides.

Table 6-21. Panel-Member (Selection (12,000 Pound Net Load))¹

Length	Members	Net load	4 foot width			6-foot width			8 foot width		
			Height (feet)			Height (feet)			Height (feet)		
			4	6	8	4	6	8	4	6	8
<i>Feet</i>		<i>Pounds</i>									
6	Upper frame members	12,000
	Lower frame members	12,000
	Struts	12,000
	Diagonals	12,000	(*)	(*)	(*)	(*)
8	Upper frame member	12,000
	Lower frame member	12,000
	Struts	12,000	(*)
	Diagonals	12,000	(*)	2 X 6	(*)	2 X 6	(*)	2 X 6
10	Upper frame member	12,000
	Lower frame member	12,000
	Struts	12,000	(*)	2 X 6
	Diagonals	12,000	2 X 6	2 X 6	2 X 6	2 X 6	2 X 6	2 X 6
12	Upper frame member	12,000
	Lower frame member	12,000
	Struts	12,000	2 X 6	2 X 6	2 X 6
	Diagonals	12,000	2 X 6	2 X 6	2 X 6	2 X 6	2 X 6
16	Upper frame member	12,000
	Lower frame member	12,000
	Struts	12,000	2 X 6	2 X 6
	Diagonals	12,000	2 X 6	2 X 6	2 X 6	2 X 6	2 X 6

NOTES:

1. All blank spaces are 2/4's.

* The above sizes are for uniform loads but apply also to concentrated loads where an asterisk is shown. When asterisk is shown, increase the member size to 2x6 for concentrated load.

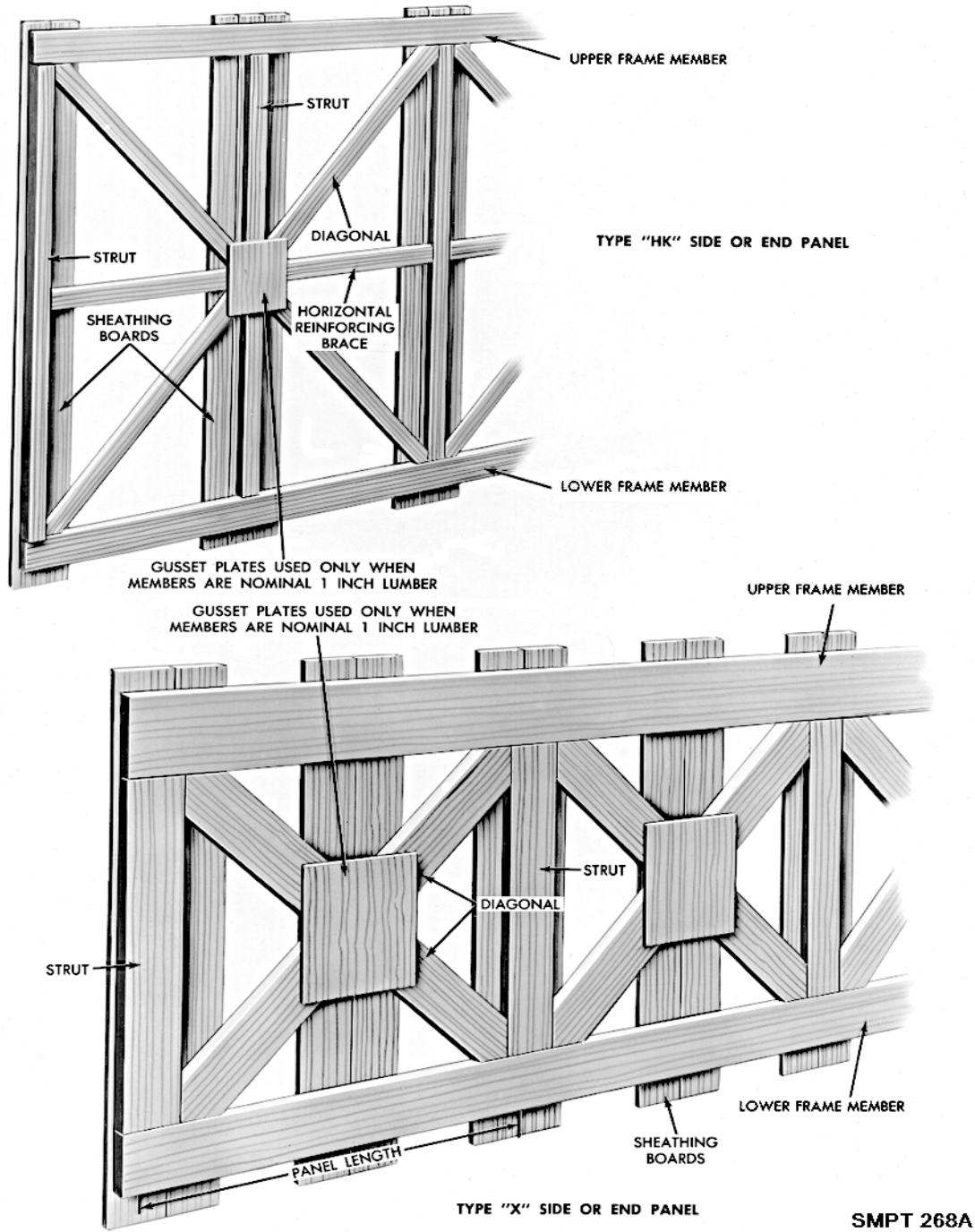


Figure 6-45. Side or end panel for nailed crate (MIL-C-3774).

Vertical Struts and Diagonals

All vertical struts and diagonals are continuous from the lower frame member to the upper frame member. Cut the diagonal and horizontal braces to fit between the vertical struts.

End Struts or Corner Posts

The end vertical strut or corner post of the side is not less than 2 inches in thickness in order to provide sufficient nailing space when fastening the ends.

Partial Sheathing Boards

Always apply the sheathing boards vertically. These boards are located at the corners and at various intervals based upon the design of the crate.

Lumber Sheathing

The sheathing boards are of one piece material, 1 inch thick, and from 4 to 10 inches wide. All end boards are at least 6 inches wide, preferably wider. Ten percent of the boards may be 4 inches wide, but no narrow boards may be adjacent to each other.

Plywood Sheathing

Plywood strips, three or five ply material, may be substituted for lumber sheathing in the sides, ends, or tops. This material must be the same width as the lumber sheathing. For loads up to 5,000 pounds, use 7/16 inch plywood of group I woods; 3/8 inch of group II woods; 5/16 inch of group III and IV woods. For loads over 5,000 pounds, use 1/2 inch plywood of group I woods; 7/16 inch of group II woods; 3/8 inch of group III and IV woods.

Gusset Plates

Gusset plates are required for crates using 1 inch frame members. Place the gusset plates where the diagonals, struts, or horizontal braces intersect. Plywood gusset plates are not required when plywood sheathing is used. Use 12 X 12 X 1/4 inch gusset plate for 1 X 4 inch frame members. Use 18 X 18 X 1/4 inch gusset plate for 1 X 6 inch frame members. Secure the gusset plates to frame members using sevenpenny nails and clinch (fig 6-45).

Nailing Lumber Sheathing

Nail 4 to 6 inches wide sheathing boards of horizontal and diagonal members with three rows of ninepenny clinched nails. Use three nails in sheathing boards 4 to 6 inches wide and four nails in wider boards. Nail sheathing boards over 6 inches wide to horizontal and diagonal members with four rows of ninepenny clinched nails. Nail sheathing boards 4 to 6 inches wide to vertical struts with two rows of ninepenny nails, spaced 6 inches apart in each row and clinch.

Nailing Plywood Sheathing

Nail plywood sheathing to 4 inch wide frame members with two rows of nails, spaced 6 inches apart in each row, and clinch. Use three rows in frame members over 4 inches wide. The nailing requirements are identical to those illustrated in figure 6-5 except for the spacing.

Ends

The end frame members are identical to those of the sides. The design of the end panels is also based upon the inside length and inside height of the crate. The panel design will be either X or HK framing (fig 6-45).

Member Selection

The frame members of the ends are the same size as the corresponding members of the sides.

Top Panels

The top panels consist of framing members, partial sheathing boards, gusset plates and joists. Tops are classified according to types (table 6-22 and fig 6-46).

Number of Panels

To determine the number of panels for N, X or HK type of top, divide the crate length by the crate width and use the nearest whole number.

Frame Members

All top frame members are 1 X 6 inch material. When the width of the top is 24 inches or less use 1 X 4 inch material.

Gusset Plates

Use gusset plates at the intersection of the frame members of the top. They are the same size and nailed in the same manner as those for the side and end panels.

Top Joists

Determine the size of the joists by the weight of the contents and the length of the joists (table 6-15). Space the joists not more than 48 inches center to center. Extend all joists from the upper longitudinal member of one side to the upper longitudinal member of the other side. Fasten each joist with three twelvepenny coated sinkers through the upper edge members of the side into the end of the joist when the framing is one inch thick. Use three twentypenny nails per joint for 2-inch upper frame members. This nailing is accomplished as the crate is being assembled.

FABRICATION OF OPEN NAILED CRATES

Sheathing to the Horizontal and Diagonal Frame Members

Use nails for securing the sheathing to the frame members (up to and including 2-inch thickness) long enough to permit clinching at least one-fourth of an inch. Use three rows of nails to secure the sheathing. Use a minimum of three nails in each sheathing board up to 6 inches wide. Use not less than four nails in wider boards.

Sheathing to the Vertical Frame Members

Use two rows of nails, placed on 6-inch centers, in each row and stagger (table 6-24 and figure 6-46).

Plywood Sheathing to the Frame Members

The nails for fastening plywood to framing members shall be long enough to pass through the plywood and the frame member and be clinched not less than one-fourth of an inch. Stagger all nails in two parallel rows in each frame member up to 3-5/8 inches wide, and in three rows in wider frame members. Place the nails not less than one-half of an inch from the edge of the frame members. The distance between rows of nails is not less than 1 inch, and the distance between adjacent nails in any row is not to exceed 6 inches.

Sheathing to the Side Frame Members of the Top

Use two rows of nails. One row three-fourths of an inch from the inside edge of the frame member, and one row three-fourths of an inch from the outside edge. Stagger the nails between rows with a minimum of two clinched nails in each sheathing board at each longitudinal member.

Sheathing to the End Frame Members of the Top

Place one row of nails in three-fourths of an inch from the inside edge of the frame member. Place the other row in the center of the frame members. Space the nails 9 inches apart in each row and clinch.

Sheathing to the Longitudinal and Diagonal Members of the Top

Use three rows of nails, with not less than three nails in sheathing boards 6 inches wide. Use not less than four nails in wider boards.

Sheathing to the Struts of the Top

Two rows of nails are required not less than three-fourths inch from the edges of both the frame members and the sheathing. Space the nails on 9-inch centers in each row and clinch.

Plywood Sheathing to the Frame Members of the Top

If plywood is substituted for lumber, stagger the nails in two parallel rows and space them 6 inches apart in each row. Position the nails three-fourths inch from the edge of the frame members. The nails must be long enough to penetrate both the members and be clinched at least three-fourths of an inch.

Table 6-22. Type of Tops (MIL-C-3774)

Type framing pattern	Width of top (in.)
N.....	Up to 40
X.....	Over 40 through 60
HK.....	Over 60 through 96

Table 6-23. Nailed Crate Assembly (MIL-C-3774)

Fasten		Size type of nail	Maximum spacing	Notes
Part	To part		<i>Inches</i>	
Corner strut of end - (1-inch member)	Corner of strut of the side	12d	12	Predrill through sheathing of end and corner strut of end.
Corner strut of end - (2-in. member)	Corner strut of the side	20d	12	
Sheathing of side	Corner strut of the end	8d	6 to 8	Stagger
Edge frame member of top - (through sheathing)	Upper frame member of sides	12d	6 center to center	
Edge frame member of top	Upper frame member of sides	8d	6 to 8	Space nails between top sheathing
End strut of top	Upper frame member of end	12d	6	Stagger

Table 6-24. Nailed Per Each 1,000-Pound Gross Load; Nailing Side Sheathing to Skids or Sills and End Sheathing to Headers and Sills

Nail Type	Wood groups of skids			
	Penny size	II	III	IV
Common	7	20	21	16
Sinker or cooler	7	23	26	19
Sinker or cooler	8 or 9	19	21	16
Sinker or cooler	10	18	19	14
Corker	8 or 9	17	19	14

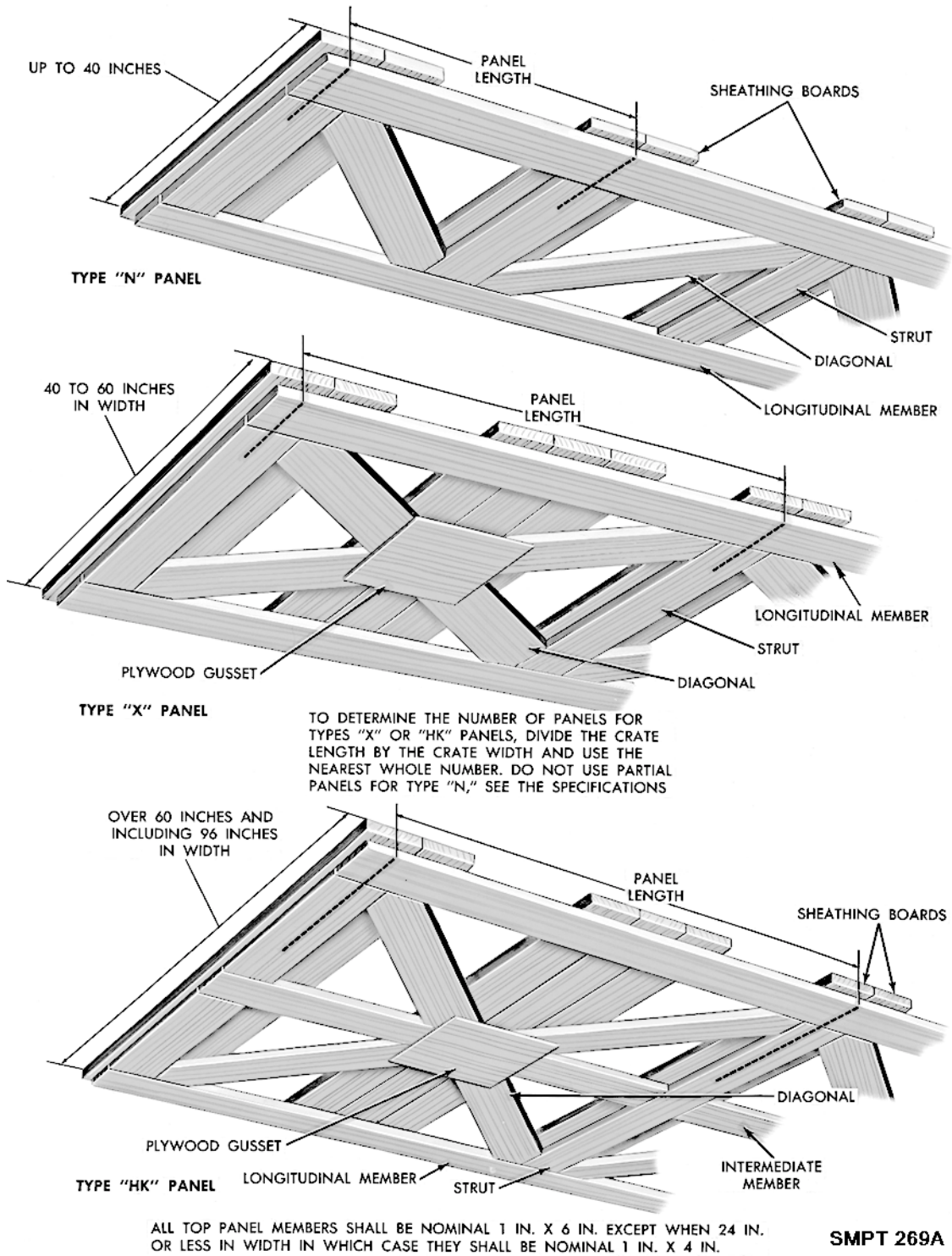


Figure 6-46. Types of top panels (MIL-C-3774).

ASSEMBLY OF OPEN NAILED CRATES (FIGS 6-4, 6-47 AND 6-48)

Nailing Requirements

The nailing requirements for fastening the base, sides, ends, and top together are found in tables 6-23 and 6-24.

Nailing Procedures

When attaching the sides and ends to the skids, use one row of nails (staggered) for 2 inch-deep skids, two rows for 3 and 4 inch-deep sills and three rows for deeper members. Secure the corner struts of the end to the corner struts of the side with twentypenny nails spaced 12 inches apart. Nail the partial sheathing of the side to the corner strut of the end using eightpenny nails, spaced 6 to 8 inches apart, and staggered. Nail through the top sheathing into the upper edge members using twelvepenny nails spaced 6 inches apart, center to center. Nail the top sheathing to the top joists using twelvepenny nails, spaced 8 inches apart.

Corner strappings (figs 6-4 and 6-18)

SHEATHED WOOD CRATES, MIL-C-104 (GENERAL)

MIL-C-104 covers requirements for two types and two classes of sheathed crates each of which may have two styles of bases. The crates are designed for net loads not exceeding 30,000 pounds and to withstand the most severe overseas shipping and storage conditions.

CLASSIFICATION

Eight crate designs are possible through the combination of the following types, classes and styles. These crates are available in different type, classes, and styles. For example a type I (nailed), class 2 (plywood sheathed), Style A (skid base) crate may be used.

- Type I - Nailed
- Type II - Bolted
- Class 1 - Lumber sheathed
- Class 2 - Plywood sheathed
- Style a - Skid base
- Style b - Sill base

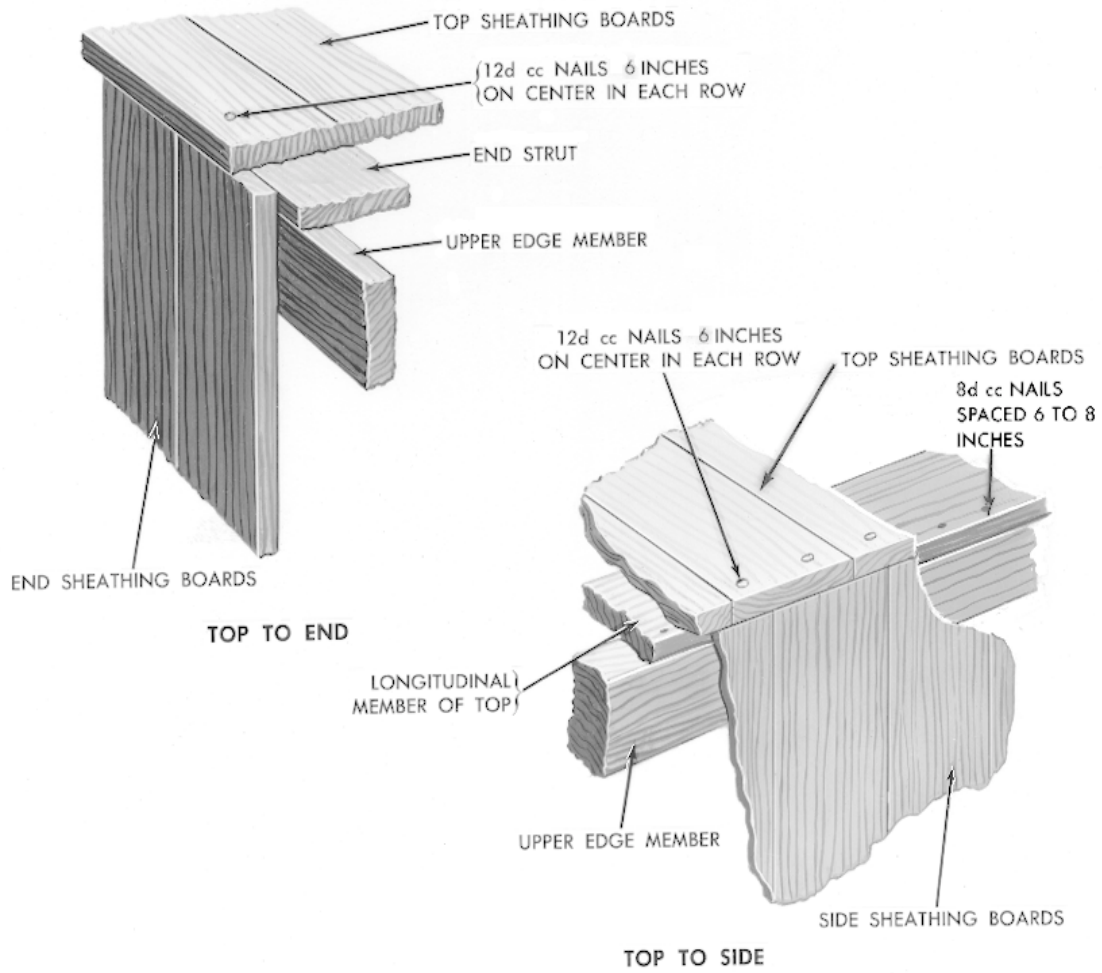
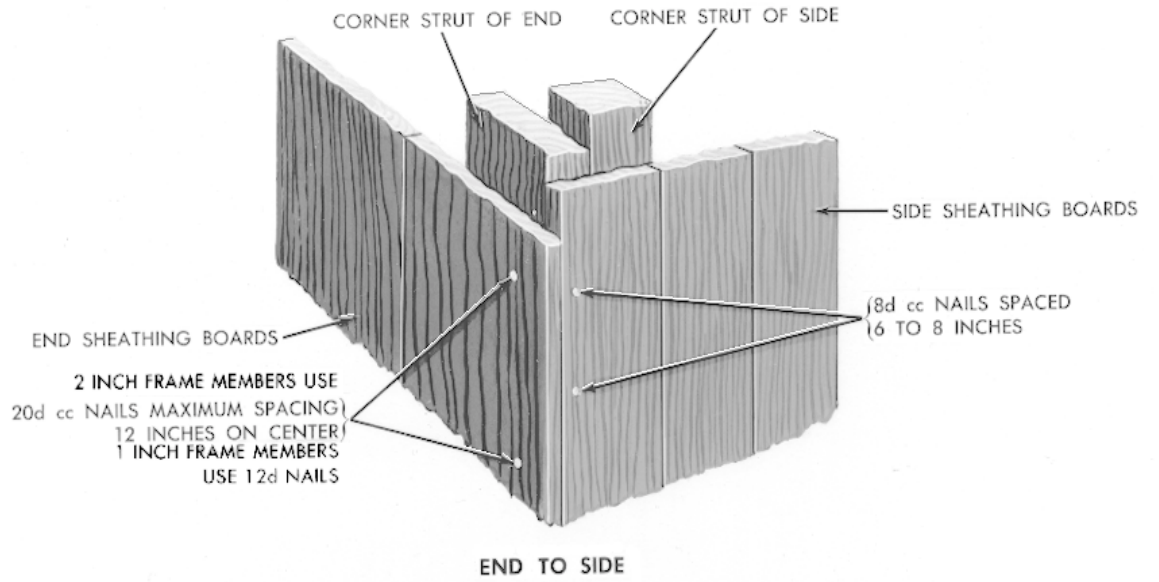
Weight Limitations

The gross weight of these crates should not be more than 11,200 pounds whenever practical. This weight is recommended in order to permit handling with ship's gear. However, when this limitation is not possible, the gross weight may be greater than 11,200 pounds but less than 20,000 pounds for crates with Style B (sill) bases, or 30,000 pounds for crates with Style A (skid) bases.

Dimension Limitations

The exterior dimensions of the crate shall not exceed the following limitations, unless specified, for overseas shipment for which dimensions of the International Loading Gauge shall apply.

Length - 30 feet Width - 9 feet Height - 10 feet



NOTE: CC = CEMENT COATED

SMPT 271A

Figure 6-47. Assembly of open nailed crates (MIL-C-3774).

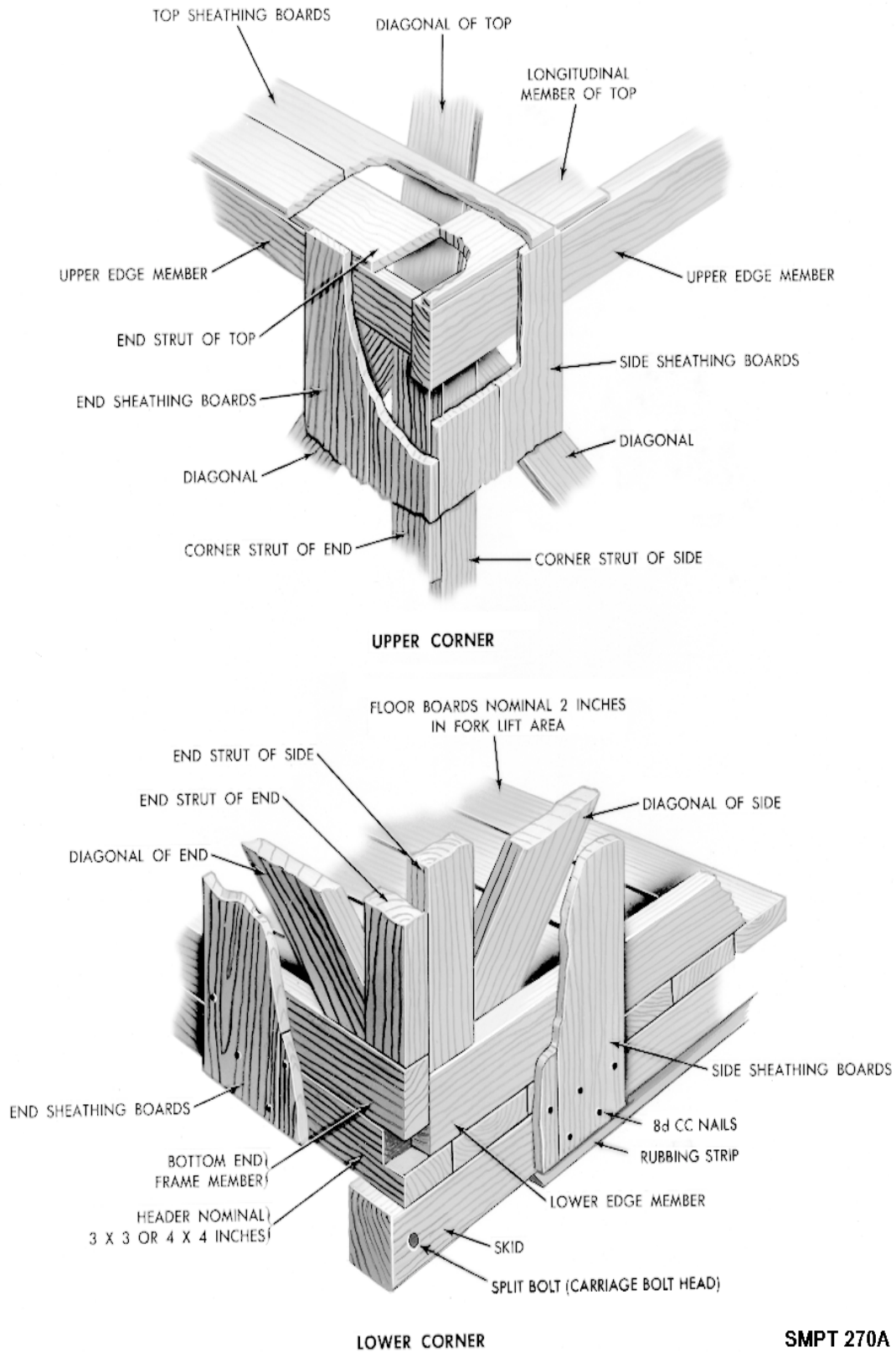


Figure 6-48. Assembly details for nailed crates (MIL-C-3774).

Interior Clearance

A clearance of not less than 1 inch shall be allowed between the item and the closest member of the sides, ends, and top of the crate. Fragile items or items within floating bag barriers shall be protected with clearances of not less than 2 inches. Additional clearances may be provided for shock mounted items. Protruding parts at the top may be allowed to extend between joists; spacing of joists may be adjusted slightly to accommodate projections.

MATERIAL REQUIREMENTS

Material

Material shall be as specified herein. Materials not specified shall be selected by the contractor and shall be subject to all provisions of MIL-C-104 specification.

Lumber

Lumber components shall conform to woods commonly used.

Plywood

Plywood shall conform to A-A-55057 Type A or B. Plywood (type A or B) shall comply with PS1 and PS2.

Nails and Staples

Nails and staples shall be steel and shall conform to ASTM F 1667-95.

Nuts, and Washers

Nuts shall conform to FF-N-836, Type I or II, style 1 or 4. Washers shall conform to FF-W-92, Type A, Grade I, Class A.

Strapping

Strapping shall conform to ASTM D 3953, Type 1 or 2 as applicable. Finish shall be A, B, or C.

Barrier Material

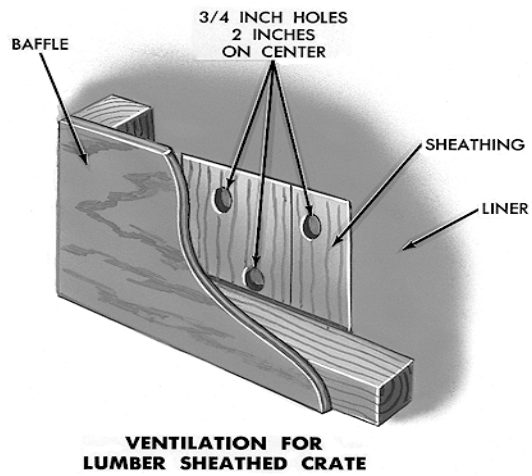
Barrier material, for crate liners, shall conform to PPP-B-1055, class as appropriate for crate liners.

CONSTRUCTION

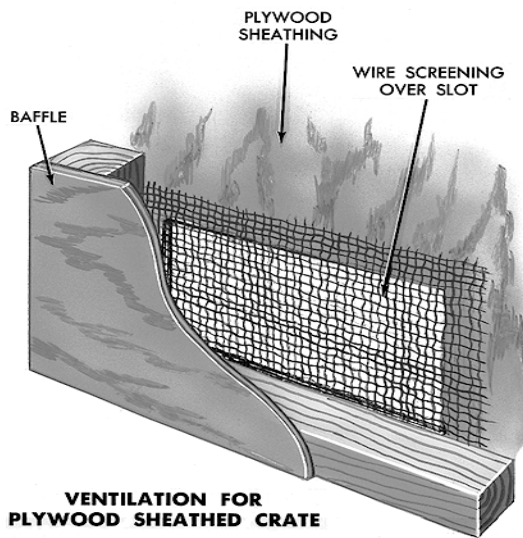
Nailing Procedure

Nails used shall be sinkers, coolers,, corks, or common. Nails sizes specified for the fabrication of the various crates are based on Groups I and II woods. When Groups III or IV woods are used, nails sizes may be onepenny size smaller than those specified. The patterns to be used for the nailing of two flat pieces of lumber shall conform to the details shown in figure 6-50). Unless otherwise specified herein, the following requirements shall determine size, placement, and quantity of nails:

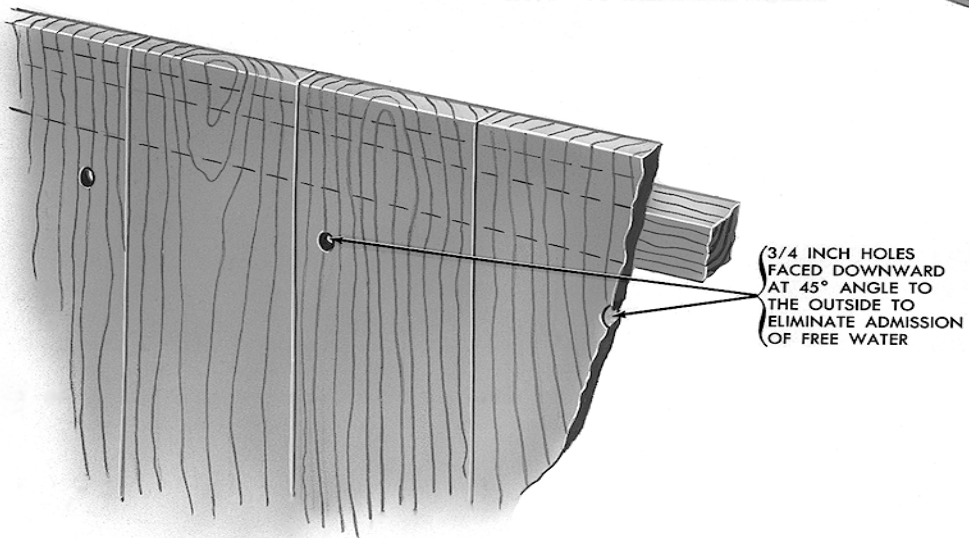
- All adjacent crate members shall be securely fastened to each other, either directly or by means of the covering.
- All nails that are not to be clinched shall be cement-coated.
- Nails shall be driven through the thinner member into the thicker member wherever possible.



VENTILATION FOR LUMBER SHEATHED CRATE



VENTILATION FOR PLYWOOD SHEATHED CRATE



PERIMETER VENTILATION

TWO HOLES EQUAL ONE SQUARE INCH OF AREA

SMPT 425

Figure 6-49. Ventilation end screening of sheathed crates.

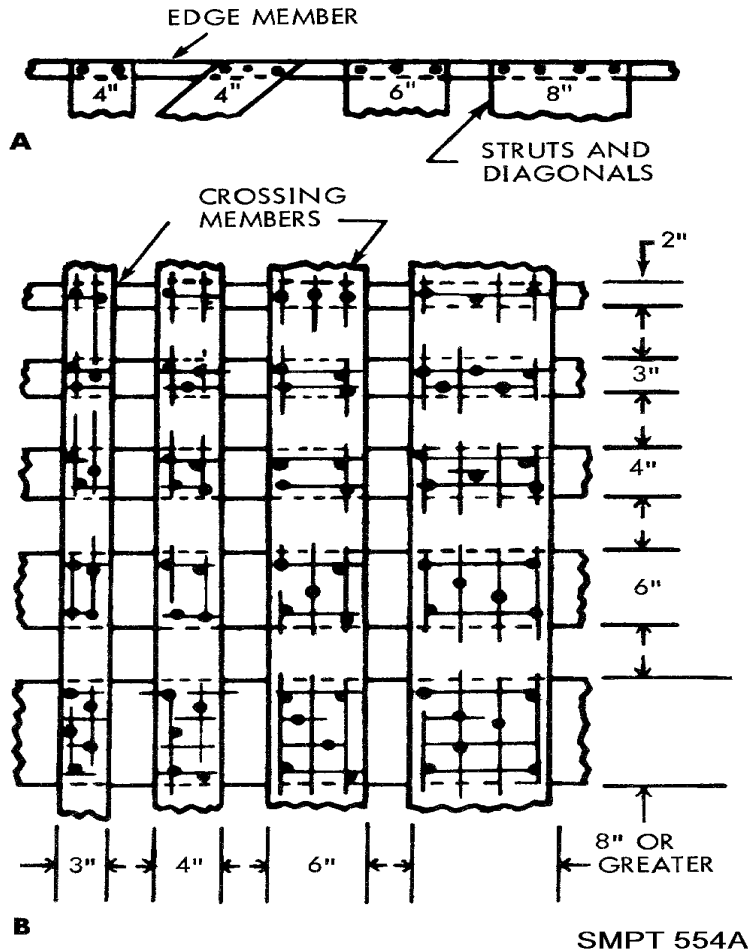


Figure 6-50. Nailing patterns.

- Nails for fastening plywood to framing shall be clinched at least 1/4 inch. Heads of nails shall always be on the plywood side.
- When the flat faces of pieces of lumber are nailed together and the combined thickness is 3 inches or less (except for top joists and covering material), nails shall be long enough to pass through both thicknesses and shall be clinched not less than 1/4 inch or more than 3/8 inch.
- When the flat faces of pieces of lumber are nailed together and the combined thickness is more than 3 inches or when the flat face of one or more pieces is nailed to the edge or end face of another, nails shall not be clinched. The portion of the nail in the thicker piece shall not be less than 2 times the length of the nail in the thinner piece for tenpenny nails and smaller, and not less than 1-1/2 inches for twelpenny nails and larger.
- When splitting occurs with the use of diamond-point nails, the nails shall be slightly blunted. When blunting does not prevent the splitting, holes slightly smaller than the diameter of the nail shall be drilled for each nail.
- Nails shall be driven so that neither the head nor the point projects above the surface of the wood. Occasional over-driving will be permitted, but nails shall not be over-driven more than one-eighth the thickness of the piece holding the head.

- Nails shall be positioned not less than the thickness of the piece from the end and not less than one-half the thickness of the piece from the side edge of the lumber whenever possible. Nails driven into the side edge of lumber shall be centered on the side edge.
- Nails securing plywood sheathing to frame members shall be spaced as shown in figure 6-51. Machine driven nails having a definite head may be used for securing plywood sheathing providing they meet size requirements specified herein.

Stapling

Staples may be used to fasten sheathing to frame members. They shall not be used for fabrication of bases, fastening of framing members to each other, or for assembly of crates. Staples shall have crowns of not less than 3/8 inch wide and shall have a wire diameter of not less than 0.062 inch (16 gage). Straight leg staples shall be long enough to provide a minimum 1/4-inch clinch. Divergent point staples shall not be less than 1 inch long. Spacing of staples shall be the same as for nails. Staples shall always be driven from the plywood side.

Bolt Application

Holes shall be prebored to receive carriage bolts and shall be the exact diameter of the bolt. The lead holes for lag bolts shall be the same diameter as the shank, even though the threaded portion may have a greater diameter than the shank, and shall be as shown in table 6-25.

Lag bolts shall be placed by being turned in their holes the full length of the bolt and shall not be driven in with a hammer or by any similar means. If, for any reason, the thread in the wood is stripped when the lag bolts are placed, the lag bolt shall be removed and placed in a new hole near the old position. A flat washer shall be used under the head of each lag bolt and under the nut of each carriage bolt. After the nut is placed, the thread of the carriage bolt projecting beyond the nut shall be painted with a suitable metal primer or similar material.

Ventilation (figs 6-49 and 6-51)

All crates shall be provided with ventilating holes or slots which shall be located at each end or at ends and sides of lumber and plywood sheathed crates, or around the perimeter of plywood and lumber sheathed crates. These ventilating holes or slots shall be located immediately below the top frame member and be provided with a baffle as shown in figure 6-51 when slots are used in plywood sheathed crates or when holes are in clusters in lumber sheathed crates. Single holes drilled without baffles shall be sloped at 45 degrees to drain outward. No holes or slots shall be cut in any frame member.

Class 1 Crates

Class 1 crates shall be provided with ventilation holes, 3/4 inch in diameter. The crate liner shall be removed from the ventilating area and all splinters and chips shall be removed from the holes.

End Ventilation

Ventilating holes shall be provided in each end in one or more clusters, placed near the upper frame members, provided with a baffle, and spaced 2 inches on center as shown in figure 6-51. In small crates, holes may be located so that diagonals or struts can be utilized in part for cleats. In crates over 10 feet in length, the ventilating holes shall be divided equally between

the sides and ends with a baffle provided for each group of holes. The clusters of holes shall be located as near the midpoint of the side and end as practical. The number of holes shall comply with table 6-26.

Perimeter Ventilation

As an alternate to end ventilation, the 3/4 inch ventilating holes may be spaced evenly around the perimeter of the crate just under the top frame member and drilled at a 45 degree angle to drain outward (fig 6-49). The total number of holes shall comply with table 6-26.

Table 6-25. Lag bolt lead hole sizes.

Diameter of Threaded Portion of Lag Bolt (inch)	Diameter of Lead Hole (inch)	
	Groups I, II, and III Woods	Group IV Woods
1/4	3/16	3/16
5/16	1/4	1/4
3/8	1/4	5/16
1/2	3/8	7/16
5/8	3/8	1/2
3/4	1/2	5/8

Table 6-26. Ventilation holes and area required.

Lumber-sheathed crates			Plywood-sheathed crates
Volume of crate (cu. ft.)	End ventilation minimum number of 3/4 inch diameter holes required in each end (place in cluster and use baffle)	Perimeter ventilation (alternate) Total minimum number of 3/4 inch diameter holes required around perimeter (space evenly and slope to drain out)	Area required in each end (Use baffle and screen) (sq. in.)
0-100	3	6	7
100-150	4	8	10
150-200	5	10	14
200-400	9	18	27
400-600	14	27	40
600-800	18	36	52
800-1,000	22	44	66
1,000-1,200	27	54	80
1,200 and over	33	66	100

Note. In large crates, where a large ventilating area is required, two or more slots or clusters of holes may be used in each panel.

Class 2 Crates

Class 2 crates shall be provided with a horizontal slot in each end. The ventilation slots shall be provided with baffles and screens as shown in figure 6-51. The required ventilating area shall comply with table 6-26. In crates over 10 feet in length, the ventilation area shall be divided equally between the sides and ends of the crate with baffle and screen provided for each ventilating area. The ventilating area shall be placed as near the midpoints of the sides and ends as practical. In small crates, 3/4 inch diameter holes may be substituted for the slots in the proportion of two holes for each square inch of required area.

Class 1 Crates

Class 1 crates may be either bolted or nailed. Bolted crates shall be so designed that the major components of base, sides, ends, and top may be assembled to each other with lag bolts in order that the crate can be readily disassembled and, if desired, reassembled without major damage to the parts. Nailed crates are assembled with nails and straps, are not easily demountable, and because of probable damage during disassembly, are not generally reused. A combination of top, side, and end panels may be fabricated and assembled to each other as specified for nailed crates, and the unit fastened to the base as specified for bolted crates.

Bases

Bases shall be designed to support the weight of the crated article only when the sides and ends are fastened in place.

Skid Type (Style a)

Style a bases shall consist of longitudinal skids and rubbing strips, headers, load-bearing floorboards, and flooring as shown on figures 6-52 and 6-53. Details of construction shall be the same for bolted and nailed crates.

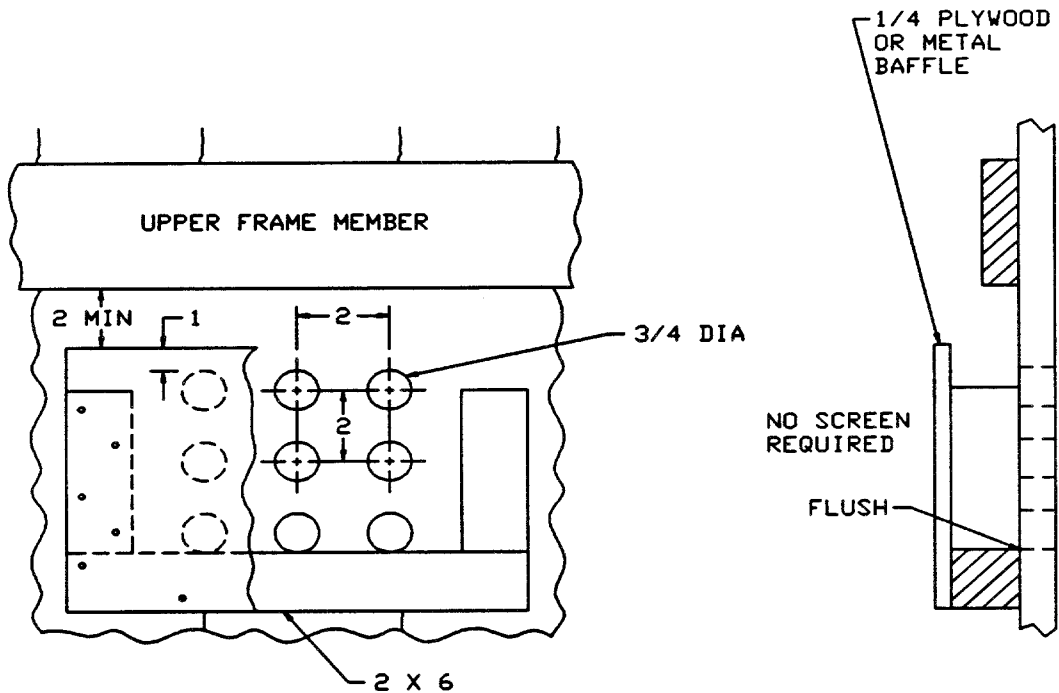
Table 6-27. Allowable minimum skid sizes

Maximum netload (lb.)	Maximum length of crate (ft.)	Nominal size of skids (in.)
300	16	2 X 4 (flat) 1/
1,000	12	2 X 4 (flat) 1/
2,000	20	3 X 3 or 3 X 4 (flat) 2/
10,000	32	4 X 4
30,000	20	4 X 6 (on edge)

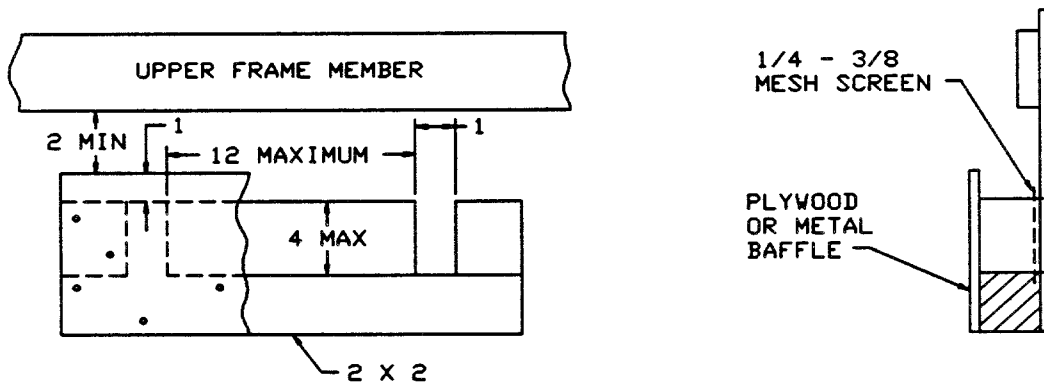
1/ For nailed crates only.

2/ For crates with 2-inch-thick lower frame member or 2-inch end struts.

MIL-C-104C



LUMBER SHEATHED CRATE



PLYWOOD SHEATHED CRATE

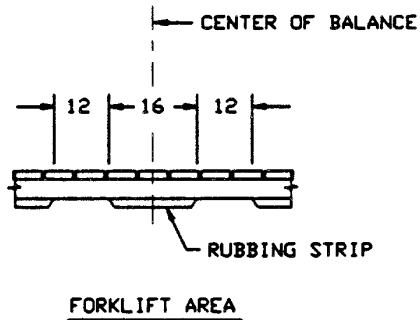
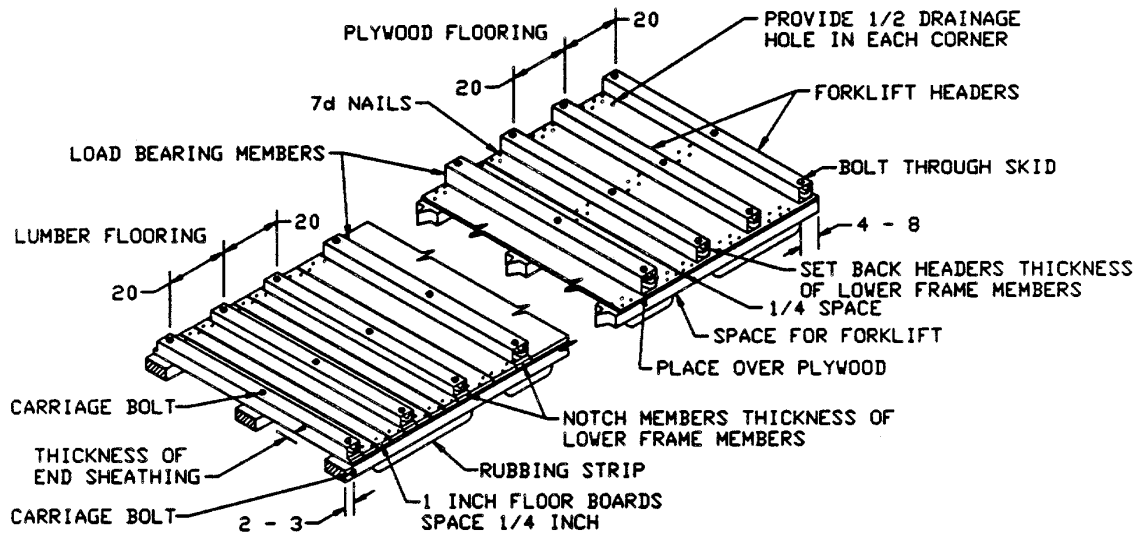
NOTE:

1. All dimensions are in inches.

SMPT 256

Figure 6-51. Ventilation of lumber and plywood sheathed crates (MIL-C-104).

MIL-C-104C



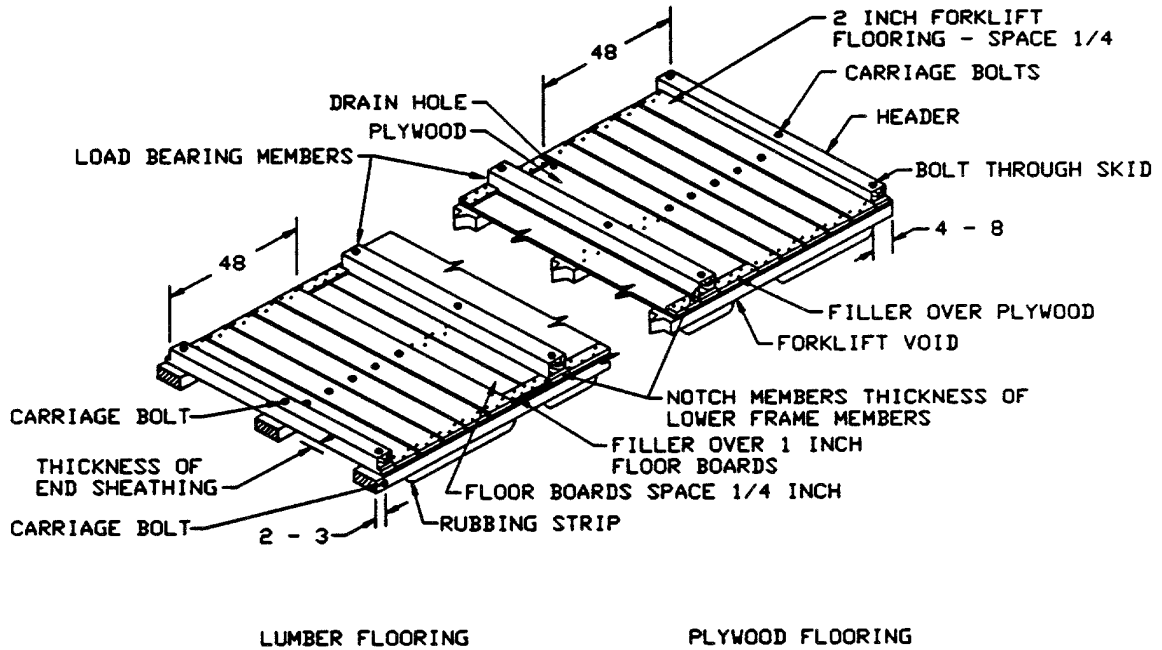
Note:

1. All dimensions are in inches.

SMPT 257

Figure 6-52. Skid base plywood flooring (MIL-C-104).

MIL-C-104C



Note:

1. All dimensions are in inches.

SMPT 286

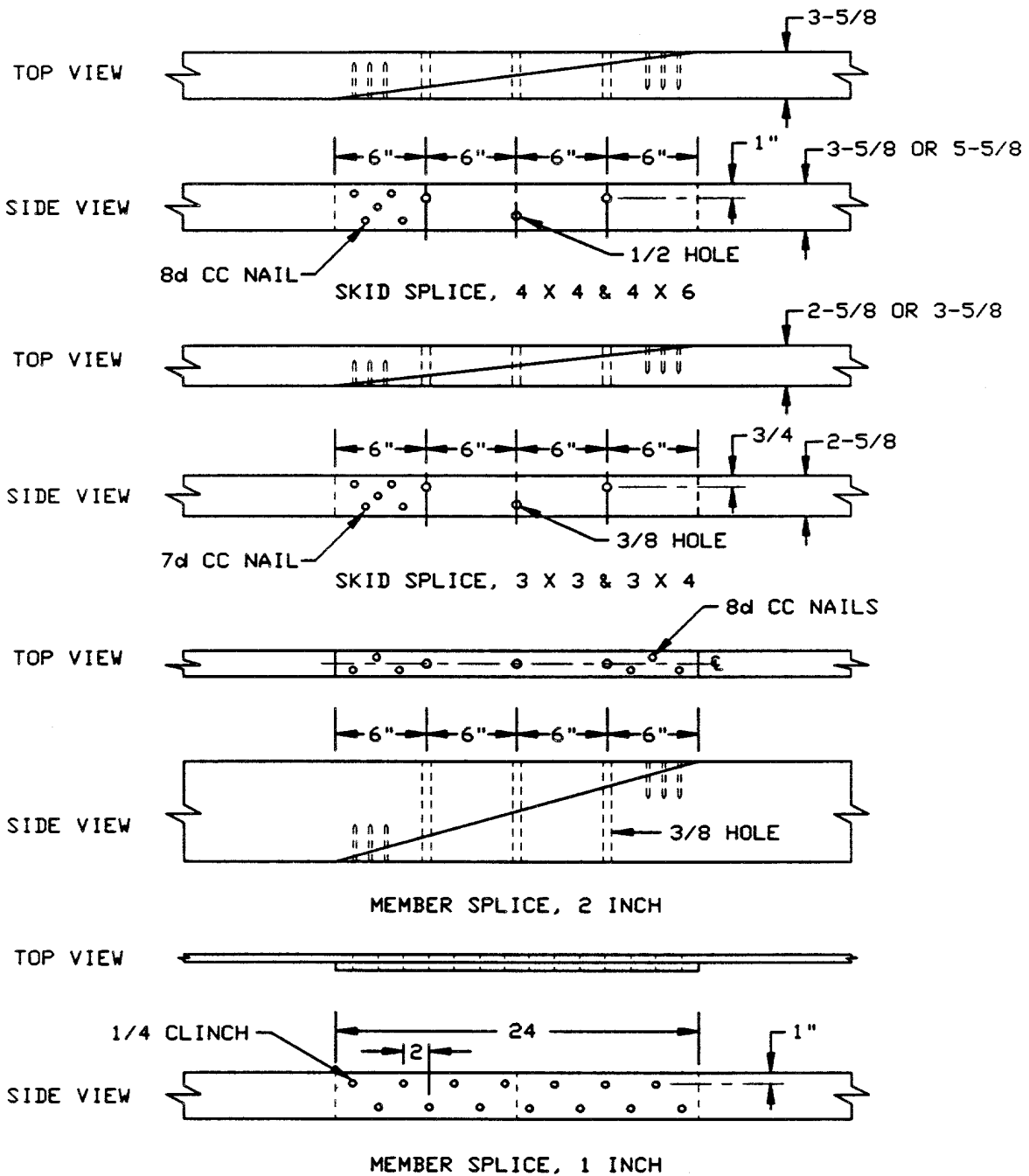
Figure 6-53. Skid base lumber flooring (MIL-C-104).

Skids

Any species of wood except Groups I shall be used for skids. Skids shall be spaced no farther apart than 48 inches, center to center, across the width of the base. Minimum size shall be as shown in table 6-27. When either the length or net load exceed the maximum shown, the next larger skid shall be used.

When necessary, skids may be spliced or laminated according to the details shown in figures 6-54 and 6-55, but the use of 2 x 4 inch skids shall be limited to such lengths that no splicing would be required. Whenever possible splices shall be made not more than one-third of the length of the base from the ends of the skid and the splice locations alternated in adjacent skids. To prevent splitting, all skids shall have a carriage bolt placed crosswise and 2 to 3 inches back from each end of the skid as shown in figure 6-55. Bolt sizes shall comply with table 6-28.

MIL-C-104C



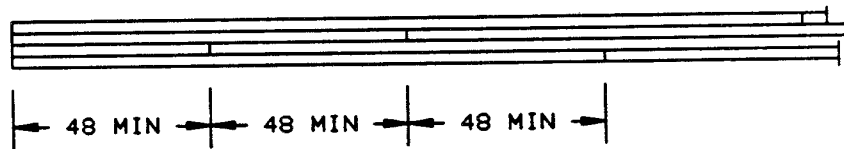
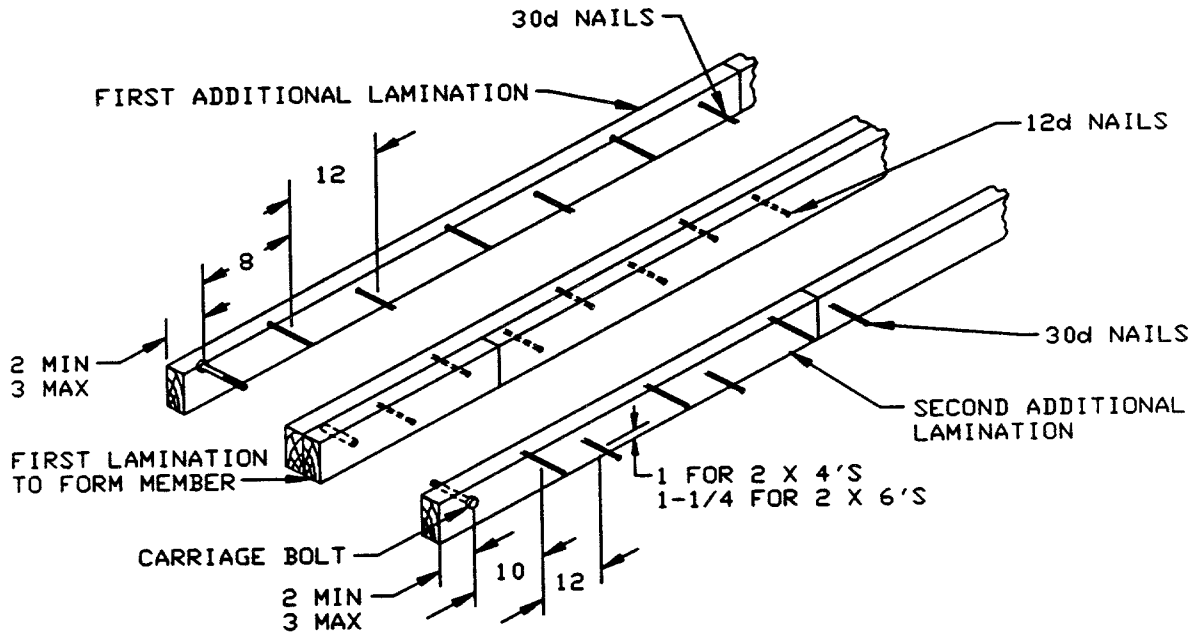
Notes:

1. Use carriage bolts.
2. All dimensions in inches.

SMPT 350

Figure 6-54. Splicing of members (MIL-C-104).

MIL-C-104C



STAGGERING JOINTS TOP VIEW

LAMINATION OF SKID OR SILL MEMBERS
(2 INCH THICK MATERIAL)

Note:

1. All dimensions in inches.

SMPT 290

Figure 6-55. Lamination of skid or sill members (MIL-C-104).

Table 6-28. Required header sizes and carriage bolt sizes

Skid size (in.)	Header size (in.)	Bolt Diameter (in.)
2 X 4	2 X 4 1/	3 8
3 X 3	3 X 3	3/8
3 X 4		
4 X 4	4 X 4	1/2
4 X 6		

1/ For nailed crates only in width to 48 inches. For wider crates or bolted crates, use 3X3.

Rubbing Strip for Skids

Rubbing strips of 3-inch thick lumber, the same width as the skids, shall be attached to the skids with two staggered rows of nails spaced 12 inches apart in each row. The nails shall be driven through the rubbing strip into the skid, shall be of such length as to penetrate a minimum of approximately 70 percent of the skid thickness, and shall not protrude through the skid. The strips shall be beveled full depth at an angle of 45 degrees at sling and forklift openings. Openings in the rubbing strips for forklift-truck access shall be 12 inches in length, 28 inches center to center, and positioned to straddle the center of balance of the loaded crate. Sling openings not less than 4 inches in length, and preferably 8 inches, shall be provided at the ends of the rubbing strip where permitted by the length of the crate and by the location of the forklift-truck access openings. No center pieces of the rubbing strips shall be less than 16 inches in length. On crates 5 feet and less in length, the forklift openings shall be omitted; end sling openings shall not be less than 6 inches long and shall serve as both forklift and sling openings.

Headers

Headers shall be placed at each end of the base and shall be bolted to each skid with one carriage bolt. Sizes of headers and bolts shall be as shown in table 6-28.

Forklift Members

The forklift members shall consist of the header and two members of equal size, spaced 20 to 40 inches (on center) from each end of the skids and bolted as shown in figure 6-52. Where the form of the item to be crated makes it impractical to use these members, or when crates are short or narrow, 2 inch-thick lumber shall be used in the 48-inch end areas as shown in figure 6-52. When 2-inch lumber is used in the forklift area and intermediate skids are required because of the width of the base, the 2-inch forklift members shall be bolted to the intermediate skids. Forklift members shall be notched or set back a specified for headers. If loaded containers center of balance is other than the center of the base, the space for forklift entry shall be positioned so that the center of balance is centered in between forklift openings.

Headers shall be of a single piece and not built up to two or more pieces to meet the dimension requirements. Headers shall be placed atop the plywood when plywood flooring is used. Headers shall be placed a distance back from the ends of the skids equal to the thickness of the end sheathing. The ends of the headers shall be notched for bases floored with lumber; ends of headers for plywood floored bases shall be set back from the outside edges of the outer skids (see figures 6-52 and 6-53). The notched and set back distances shall be equal to the thickness of the lower frame members of the skids.

Load-bearing Floorboards

Load-bearing floorboards shall be placed where the concentrated loads of the contents occur. The cross section shall be determined from table 6-29. The forklift members and any 1 or 2 inch flooring may be considered as load-bearing within limits of their assigned values. The ends of load-bearing floorboards shall be notched or set back from the edge of the base in the same manner as described for headers (see figures 6-52 and 6-53). Load-bearing floorboards 4 inches wide shall be bolted to each skid with one carriage bolt, and load-bearing floorboards over 4 inches wide shall be bolted to each skid with two carriage bolts, and the intermediate skid where one is required. Bolt diameters shall be the same as specified for corresponding skid sizes.

Lumber Flooring

Lumber floorboards shall be neither less than 1 inch thick not less than 4 inches wide, and shall be placed at right angles to the skids. Boards shall be spaced 1/4 inch apart for drainage and the ends placed flush with the outside face of the skids. When a large area of the base is floored with 2-inch thick lumber, the use of filler strips 2 inches wide shall be used along each side over the thinner flooring to equal the thickness of the 2 inch flooring as shown in figure 6-53. The filler strips shall be nailed to the flooring with two staggered rows of sixpenny nails spaced 10 inches apart. Nailing of floorboards to skids shall be as shown on figure 6-50.

Plywood Flooring

Plywood 3/8 inch in thickness, may be used in place of 1 inch lumber flooring as shown in figures 6-52 and 6-53, but not as load-bearing floorboards. Plywood flooring shall be laid flush with the outer edges of the skids and with the face grain perpendicular to the skid length. Headers and load-bearing floorboards shall be placed on top of the plywood and bolted to the skids after the plywood has been nailed in place. Plywood flooring shall be nailed to each skid with two rows of sevenpenny nails, staggered and spaced 6 inches apart in each row. A spacing of 1/4 inch shall be allowed between sheets of plywood for drainage. When 1/3 to 1/2 the area of the base is floored with 2 inch boards, the plywood flooring shall be used only between these areas. Filler strips shall be nailed over the plywood as shown on figure 6-51 with nailing as specified.

Drainage

A drainage hole, 1/2 inch in diameter, shall be drilled next to each header or load-bearing member in each outer edge of plywood floored section of the base. Holes should not be covered with contents are placed on the base of the crate.

Sill Type (Style b)

Style b bases shall be constructed as shown in figure 6-56. The load contained on Style b bases shall always be transmitted to the side sills by means of intermediate sills or by the article itself.

Side and End Sills

The size of the side sills shall be determined from table 6-30. End sills shall be of the same size as side sills. The side sills shall overlap the end sills as shown in figure 6-56. Sills shall be laminated as shown in figure 6-55, when necessary.

Intermediate Sills and Load-bearing Headers

Intermediate sills shall be applied crosswise of the base. The size of intermediate sills shall be determined from table 6-31. The weight used to determine the size of an intermediate sill shall be that amount of the load actually supported by that sill. Load-bearing headers shall be of the same size as intermediate sills. Load-bearing headers and intermediate sills will not be required when all of the load is supported by the side sills. Load-bearing headers shall be attached at their ends to intermediate sills and intermediate sills shall be attached at their ends to side sills by a combination of nailing and the use of metal strap hangers fabricated from 1-1/4 inches wide by 0.035 inch thick nail-on strapping as shown in figure 6-57.

Bridging

Intermediate sills shall be bridged at the ends with 1-inch lumber and at intervals along the span not exceeding 4 feet with 2-inch lumber of the same depth as the intermediate sills (see figure 6-56).

Table 6-29. Allowable load in lb per inch of floorboard width groups I and II woods

Distance between skids (in.)	Thickness of load-bearing floorboard (in.)					
	3/4	1-1/2	2-2/2	3-1/2	5-1/2	7-1/2
12	57	287	600	1170	2900	5000
18	38	191	400	780	1930	3350
24	29	143	300	590	1400	2500
30	23	115	240	470	1160	2000
36	19	95	200	390	960	1680
42	16	82	170	335	830	1440
48	14	71	150	290	720	1250
54	12	63	130	260	645	1120
60	11	57	120	234	580	1000
66	10	52	110	212	525	910
72	9	48	100	195	480	840
84	8	41	85	140	360	710
96	8	35	75	167	300	630
108	7	34	66	130	233	560
120	7	30	60	117	210	500

Table 6-30. Nominal size of side sills (in.)*

Gross weight of crate (lb.)	Length of crate (ft.)							
	4	8	12	16	20	24	28	32
to 2,000	2 X 4	2 X 4	2 X 4	2 X 4	2 X 4	2 X 6	2 X 6	2 X 6
2,001 - 4,000	2 X 4	2 X 4	2 X 4	2 X 4	2 X 6	2 X 6	2 X 6	2 X 8
4,001 - 6,000	2 X 4	2 X 4	2 X 4	2 X 6	2 X 6	2 X 6	2 X 8	2 X 8
6,001 - 8,000	2 X 4	2 X 6	2 X 6	2 X 6	2 X 8	2 X 8	2 X 8
8,001 - 10,000	2 X 6	2 X 6	2 X 6	2 X 6	2 X 8	2 X 8	2 X 10
10,001 - 12,000	2 X 6	2 X 6	2 X 8	2 X 8	2 X 8	2 X 10	2 X 10
12,001 - 14,000	2 X 6	2 X 8	2 X 8	2 X 8	2 X 10	2 X 10	2 X 10
14,001 - 16,000	2 X 8	2 X 8	2 X 8	2 X 10	2 X 10	2 X 10	2 X 8
16,001 - 18,000	2 X 8	2 X 8	2 X 10	2 X 10	2 X 10	2-2 X 8	2-2 X 8
18,001 - 20,000	2 X 8	2 X 10	2 X 10	2 X 10	2-2 X 8	2-2 X 8	2-2 X 8

* The above sizes are for crates with a height of 3 feet or less. For heights of over 3 feet, increase 2X4 sizes to 2X6; increase 2X6 to 2X8; increase 2X8 to 2X10; and increase 2- 2X8 to 2- 2X10.

Table 6-31 Allowable load for intermediate sills (in lb per inch of sill width)

Length of sill (ft)	Sill depth (inch) Groups I and II woods						
	1-1/2	2-1/2	3-1/2	5-1/2	7-1/2	9-1/2	11-1/2
4	71	150	290	720	1,250	2,000	3,000
5	57	120	234	580	1,000	1,640	2,400
6	48	100	195	480	840	1,320	2,020
7	41	85	167	399	710	1,170	1,730
8	35	75	140	350	630	1,020	1,500
9	34	66	130	300	560	910	1,350
10	30	60	117	270	500	820	1,200

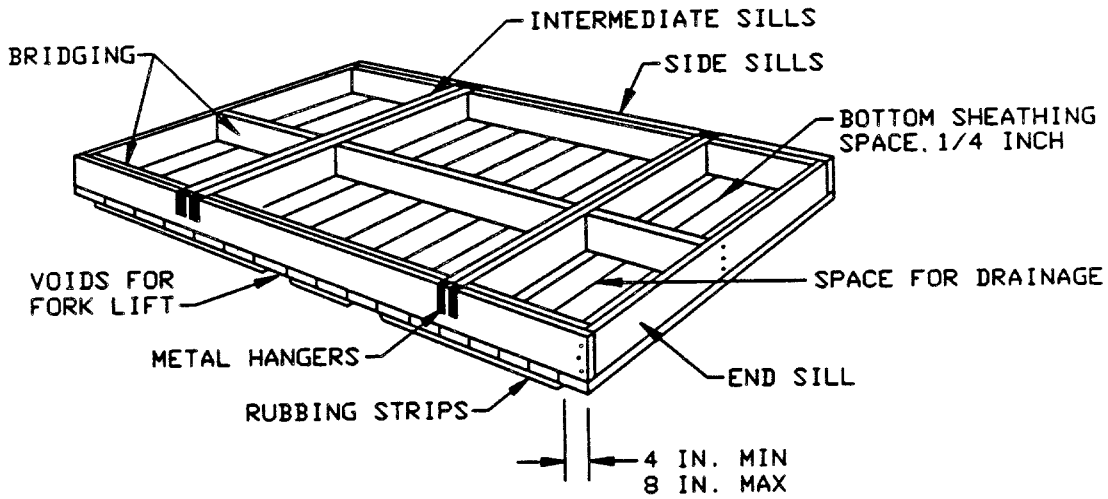
Bottom Sheathing

Style b bases shall be sheathed on the bottom with lumber securely nailed to the bottom surface of the sills at right angles to the direction of the side sills. Boards shall be 4 to 10 inches wide and of not less than 1 inch material for spans of less than 30 inches between longitudinal members and of not less than 2-inch material for spans of 30 inches or more. Bottom sheathing shall be flush with the outside face of all side and end sills and be spaced 1/4 inch apart for drainage. One-inch boards shall be nailed with eightpenny nails, 2 inch boards with twelpenny nails, and nailing shall be as shown in figure 6-50.

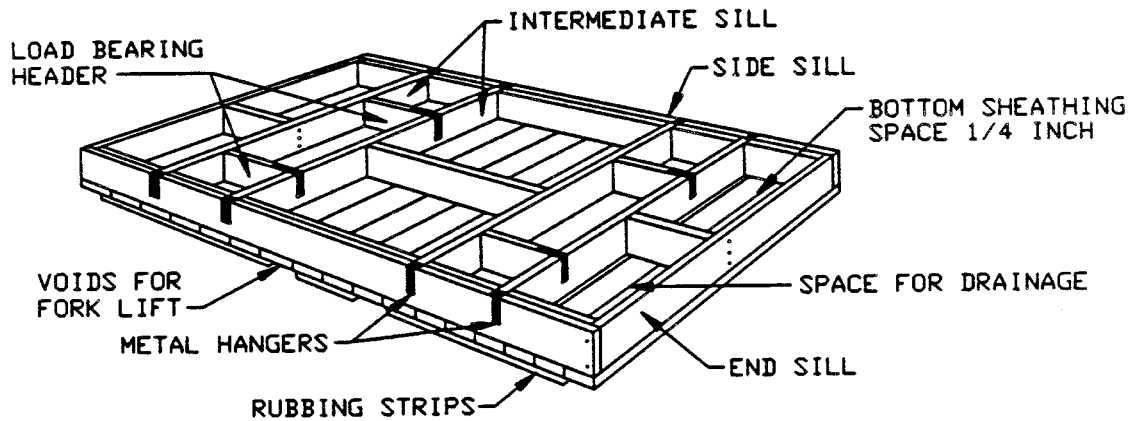
Rubbing strips

Style b bases shall have rubbing strips 3 inch thick material, the width of which shall not be less than 4 inches. The rubbing strips shall always be applied lengthwise of the base and positioned under each longitudinal member. When require, intermediate rubbing strips of the same size are located so that the clear distance between rubbing strips does not exceed 36 inches.

MIL-C-104C



SILL BASE WITH DOUBLED SILLS



SILL BASE WITH LOAD-BEARING HEADERS

SMPT 287

Figure 6-56. Sill bases (MIL-C-104).

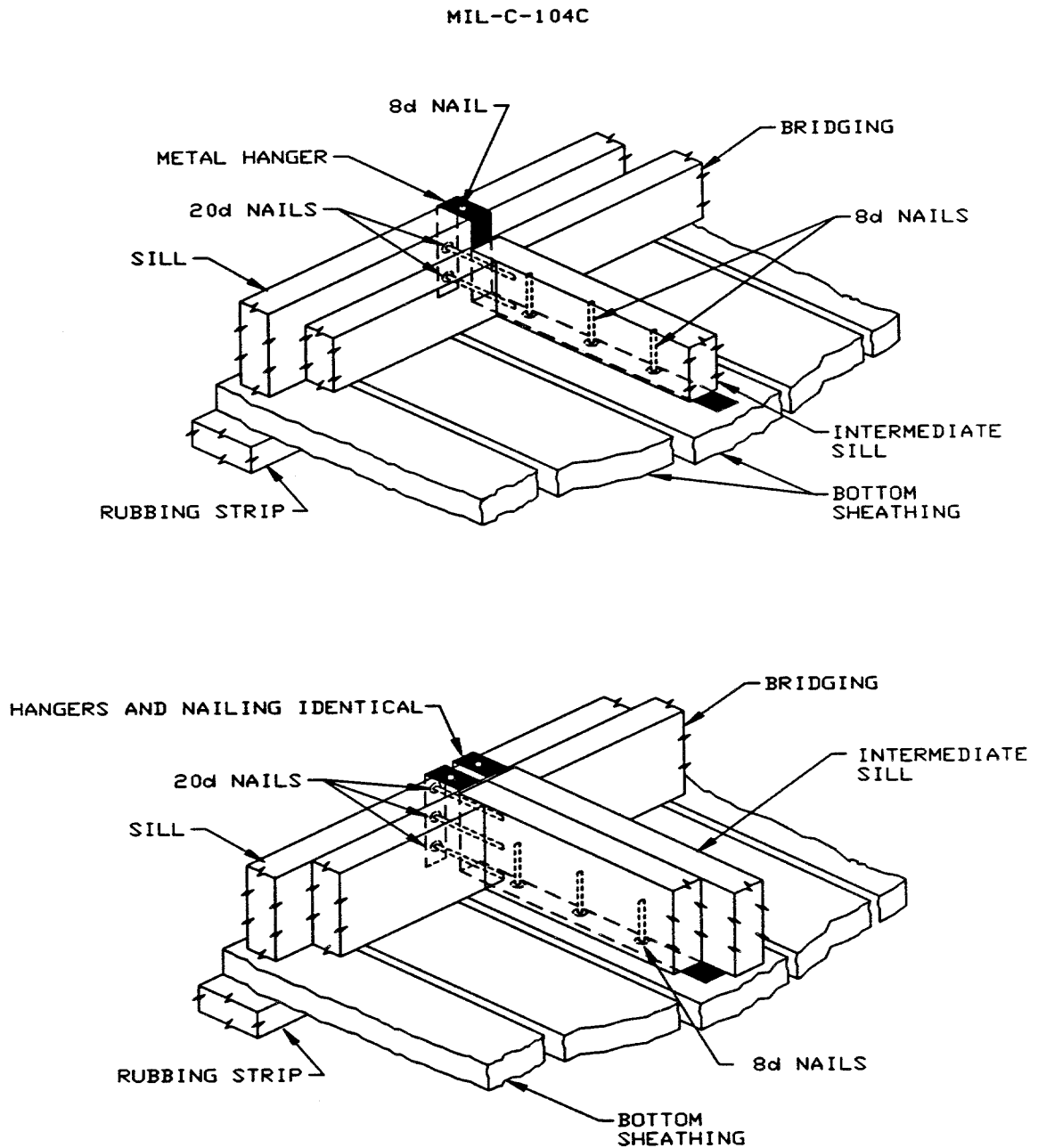


Figure 6-57. Attaching intermediate sills to side sills (MIL-C-104).

Tops

Tops shall be double sheathed and shall be

- narrow, widths through 54 inches;
- intermediate, widths over 54 inches through 60 inches;
- wide, over 60 through 120 inches in width.

Plywood sheathing 1/4 inch thick, shall be attached to the lumber framing with its face grain parallel with the width of the top and its edges flush with the outside edges of the framing. All joints of the plywood sheathing shall be made over joists or other frame members. Roofing felt, or polyethylene film

not less than 4 mils thick, shall be applied over the plywood with a minimum 4-inch overlap at joints. A nonhardening caulk or mastic shall be applied in the overlap area. Top sheathing boards not less than 4 inches wide shall be placed over the plywood sheathing and waterproof barrier and shall extend beyond the outer edges of the top framing by an amount equal to the thickness of side and end panel sheathing less 1/8 inch. Headers joining the joists together shall be 1 inch thick by the depth of the joists for intermediate and wide tops.

Narrow Tops

Narrow tops shall be framed on 2 X 4 inch members as shown in figure 6-58. Top sheathing board shall be applied parallel to the width of the top and shall be of single pieces. At plywood joints on the inside of the top, 2 X 3 inch pieces shall be used as shown in figure 6-58.

Intermediate Tops

Intermediate tops shall be framed on 2-inch joists placed flat and headers 1 inch by the thickness of the joists. The top sheathing boards shall be placed parallel to the length of the top (see figure 6-59). When the crate length is over 10 feet, end joints will be permitted in top sheathing board. All joints shall be made over joists, two joints shall be adjacent to each other, and not more than one-third of the joints shall be made over any one joist.

Wide Tops

Wide tops shall be constructed similar to intermediate tops except that the wide tops shall be framed in joists and headers placed on edge as shown in figure 6-60.

Fabrication Nailing

Fabrication nailing of tops shall be as shown in figures 6-61 and 6-62. All plywood members shall be nailed on at least three edges.

Alternate Plywood Sheathed Top

For tops not exceeding 96 inches wide, single sheathing of 1/2-inch thick plywood may be used in lieu of the double sheathed top. Face grain of the plywood shall be parallel with the width of the top. When joists do not coincide with plywood joints, a joint cover of 1 X 4 inch lumber shall be used on the inside of the top. Prior to securing the plywood to the joists or joint covers, caulking of a nonhardening type shall be applied at three places at each joint - between the plywood panels at their butt joint, and between the plywood and joint cover or joist on either side of the butt joint. The caulk shall be applied as a continuous bead and may be either performed or applied with a gun.

Sides

Number and Type of Panels

Sides shall be constructed as shown in figures 6-63, 6-64, and 6-65. In crates with style b bases, the sheathing of sides and ends shall reach below the lower horizontal frame member a distance equal to the depth of the sills plus floor thickness, less 1/8 inch. The type of side panels shall vary with the inside crate height as specified in table 6-32. The number of panels for each full length side shall be computed by dividing the inside crate length by the inside height, and using the nearest whole number.

Member Selection

The sizes of the upper and lower frame members, struts, and diagonals shall be determined from tables 6-34 to 6-43 except as otherwise specified. Loads referred to in the tables are the net loads and the dimensions are the inside measurements of the crate. The member sizes shall be based on Group II woods. If the exact size of the crate is not given in the tables, member sizes for the crate of the next greater length and width, and the next smaller height shall be used.

Upper and Lower Frame Members

Except where vertical joist supports are required, upper frame members for crates over 54 inches wide shall always be 2 inches thick and a minimum of 2 X 4 inches in size. Splicing of upper or lower frame members shall be done over or under a strut and shall be as shown in figure 6-64.

Vertical Struts

Vertical struts shall be continuous from the lower frame member to the upper frame member and the diagonal and horizontal braces shall be cut in between. The end struts shall be as shown in table 6-33.

Horizontal braces

Horizontal braces for Types B and C panels (figures 6-64 and 6-65) shall be the same thickness as the struts and 4 inches wide.

Diagonals

Size of diagonals shall be as specified in the member selection tables 6-34 to 6-43 and shall be located as shown in figures 6-63, 6-64 and 6-65. When frame members are 1 inch thick, gusset plates shall be cut from 1/4-inch plywood and shall be 12 inches minimum, in the shortest dimension. The corners shall coincide with the center line of the diagonals as shown in figure 6-65.

Joist Supports

The upper frame members shall serve as supports for tops. When crates are 6 feet wide and 12 feet high or 8 feet wide and 10 feet high (tables 6-34 to 6-43) and when the struts are 1 inch thick, vertical joist supports shall be provided as shown in figure 6-66. These shall consist of 2 by 4 inch members placed on and nailed to the frame members of the side and extending under each interior joist to the floor.

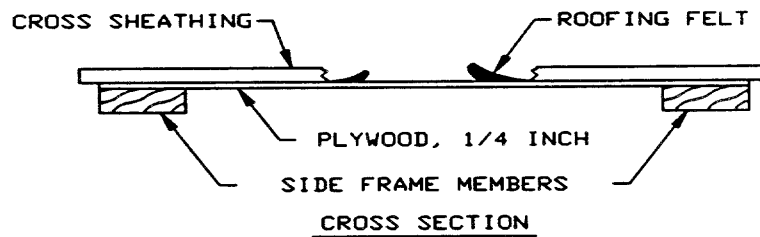
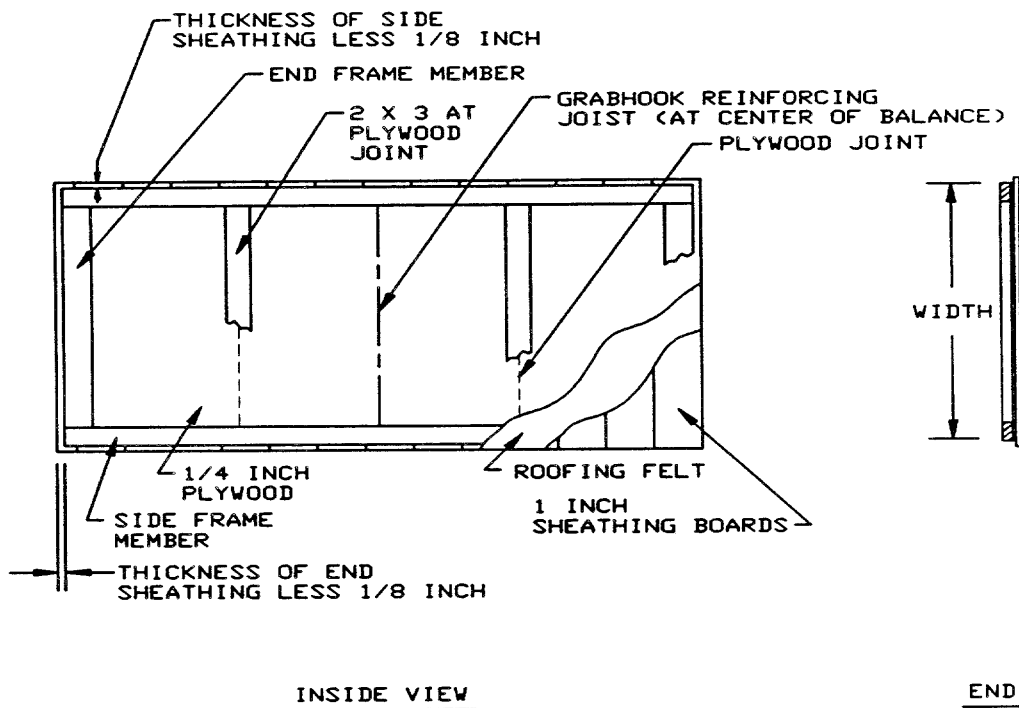
Table 6-32. Side panel types - class 1 crates

Inside height of crate (in.)	Type of panel	Reference figure No.
Over 24 to 60	A	13
Over 60 to 108	B	14
Over 108 to 144	C	15

Table 6-33. End strut requirements

Net load (lb.)	Nominal size of end struts	
	Bolted crate (in.)	Nailed crate (in.)
1,000 or under	2 X 4	2 X 4
Over 1,000 but under 5,000	3 X 3	2 X 4
5,000 and over	4 X 4	2 X 4

MIL-C-104C

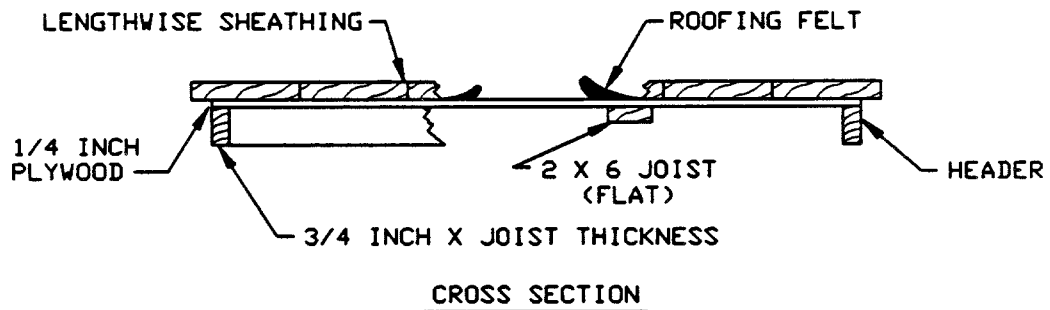
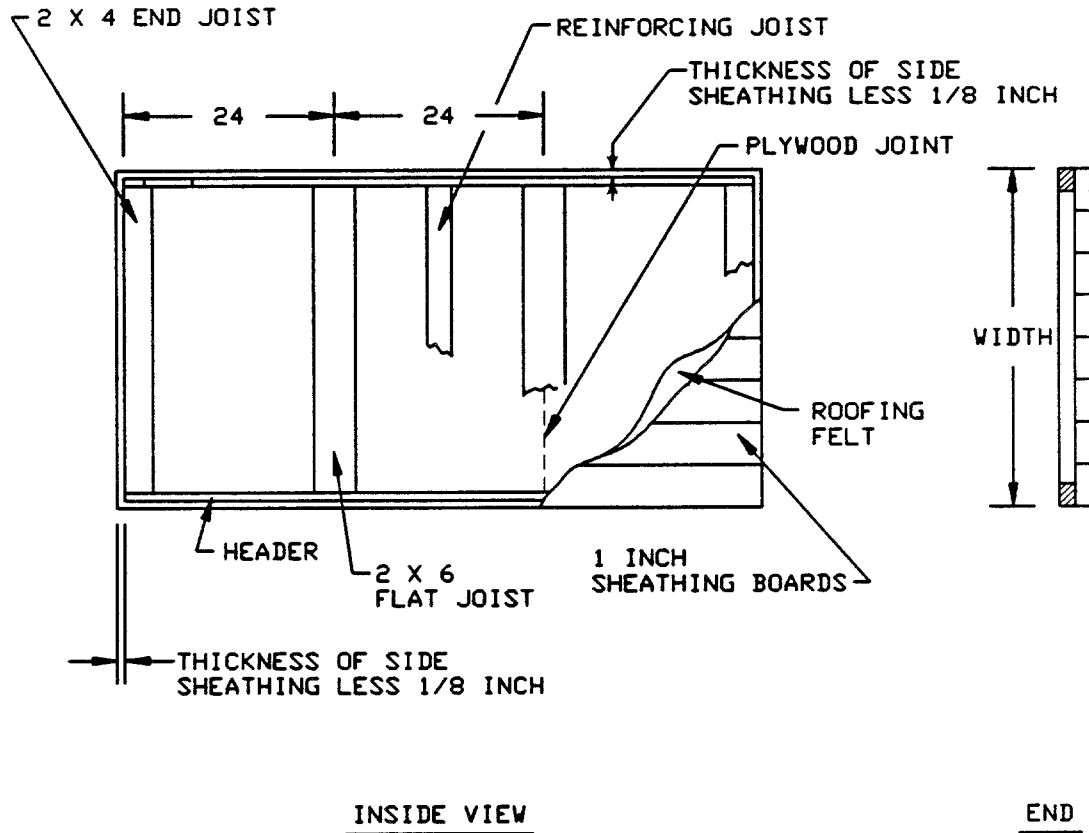


WIDTH - UP THROUGH 54 INCH
 JOISTS - NOT REQUIRED
 MEMBER SIZE - 2 X 4

SMPT 316

Figure 6-58. Narrow tops (widths up to 54 inches) (MIL-C-104).

MIL-C-104C

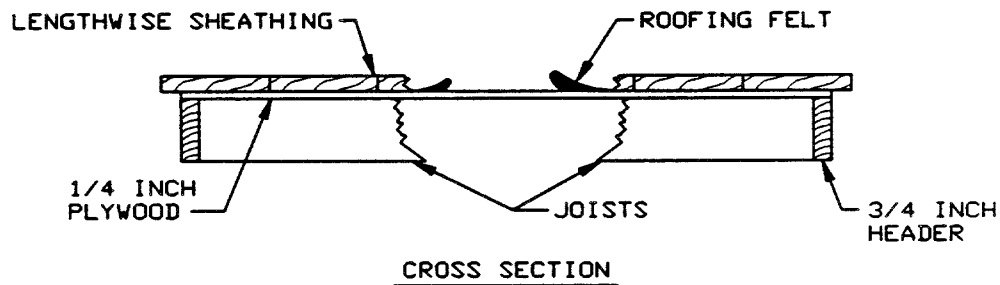
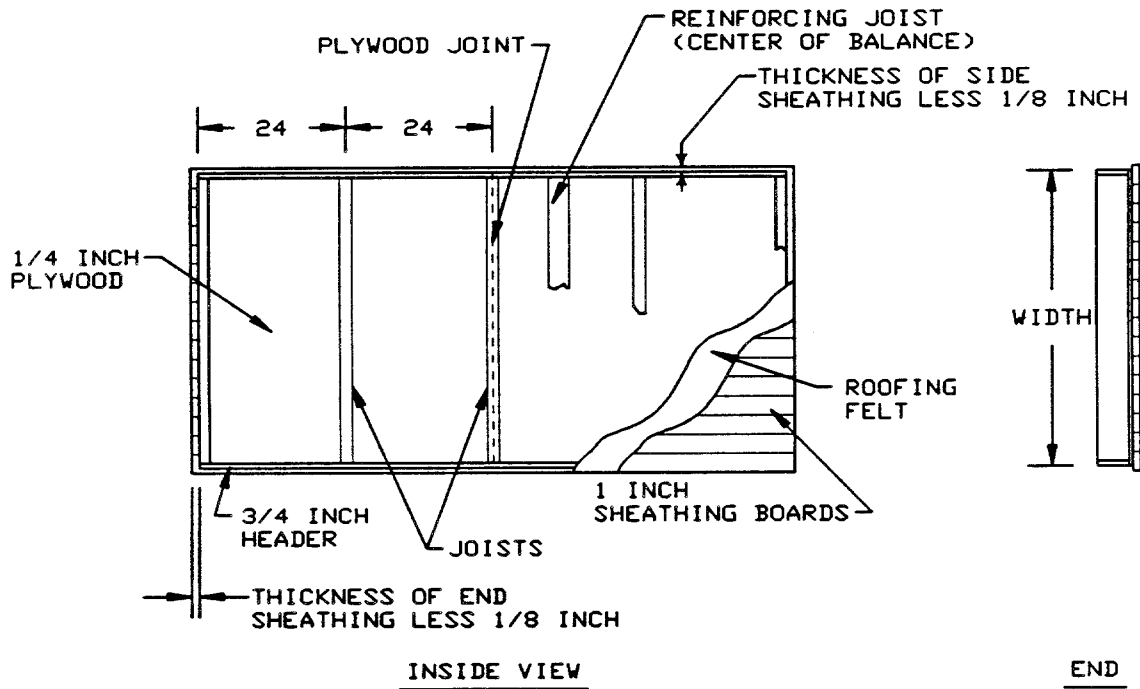


WIDTH - OVER 54 INCH THROUGH 60 INCH
 JOISTS - 2 X 6 (FLAT) 24 INCHES O. C.
 2 X 4 (FLAT) END JOIST
 HEADER - 3/4 INCH X JOIST THICKNESS

SMPT 317

Figure 6-59. Intermediate tops (widths over 54 inches to 60 inches) (MIL-C-104).

MIL-C-104C



WIDTH - OVER 60 INCHES THROUGH 120 INCHES
JOISTS (SPACE 24 INCHES O. C.)

SPAN	SIZE
OVER 60 INCHES THRU 66 INCHES	2 X 4
OVER 66 INCHES THRU 78 INCHES	2 X 4 PLUS 1 X 4 OR 3 X 4 ^{1/2}
OVER 78 INCHES THRU 90 INCHES	2 - 2 X 4 OR 4 X 4 ^{1/2}
OVER 90 INCHES THRU 102 INCHES	2 X 6
OVER 102 INCHES THRU 120 INCHES	2 X 6 PLUS 1 X 6 OR 3 X 6 ^{1/2}

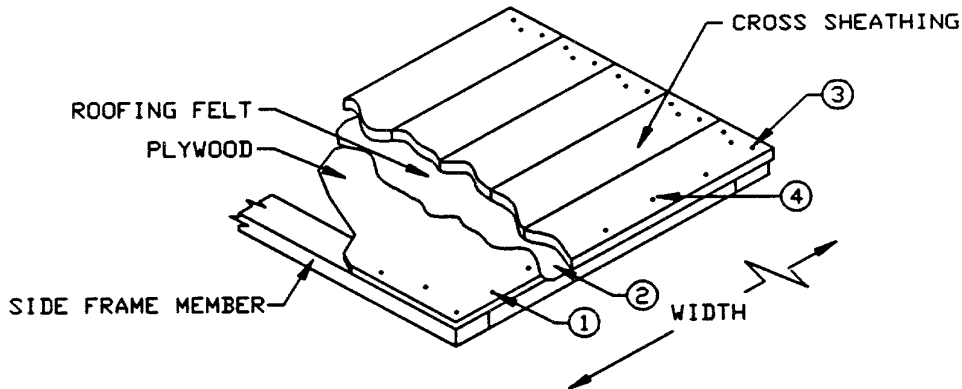
^{1/2} END JOIST TO BE SINGLE 2 INCH MEMBER AND SAME DEPTH AS JOISTS

HEADERS - 3/4 INCH THICK AND SAME DEPTH AS JOISTS

SMPT 328

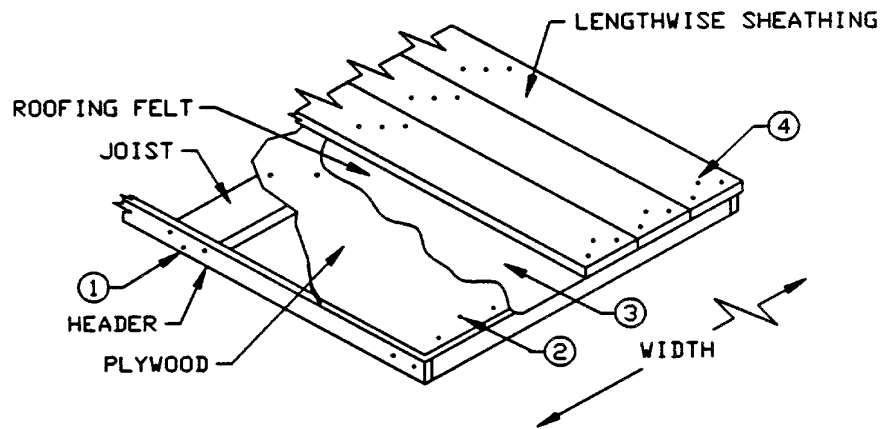
Figure 6-60. Wide tops (widths over 60 inches to 120 inches) (MIL-C-104).

MIL-C-104C



NARROW TOPS

- ① PLYWOOD TO FRAME MEMBERS
NAILS - 5d CEMENT COATED
SPACING - 8 INCHES O. C.
- ② ROOFING FELT - 4 INCH LAP AT JOINT - USE MASTIC
- ③ SHEATHING THROUGH PLYWOOD INTO FRAMING MEMBER
NAILS - 8d CEMENT COATED
SPACING - 3 INCHES O. C. (MINIMUM 2 PER BOARD)
- ④ AS ③ BUT SPACE 8 INCHES O. C.



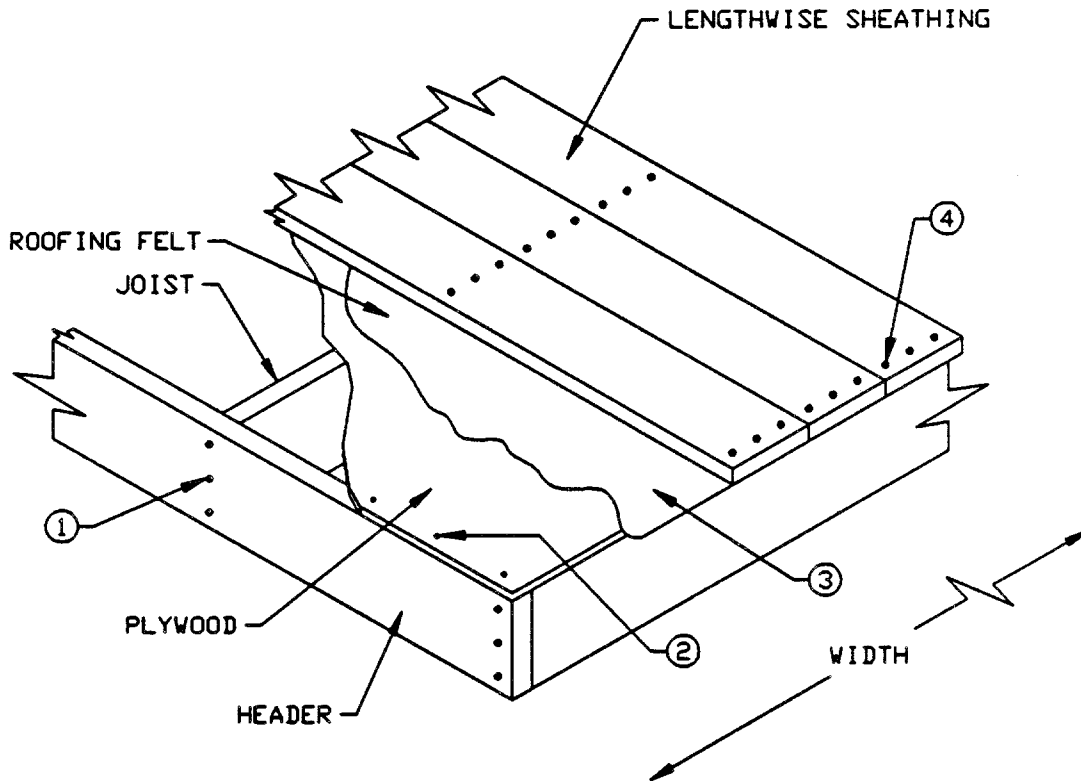
INTERMEDIATE TOPS

- ① HEADER TO FLAT JOIST - 12d CEMENT COATED NAIL, SPACE 2 INCHES O. C.
- ② PLYWOOD TO JOIST AND HEADER - 5d CEMENT COATED NAIL, SPACE 8 INCHES O. C.
- ③ ROOFING FELT - 4 INCH LAP AT JOINT - USE MASTIC
- ④ SHEATHING INTO JOIST - 8d CEMENT COATED NAIL, SPACE 3 INCHES O. C.

SMPT 338

Figure 6-61. Fabrication of tops (narrow and intermediate) (MIL-C-104).

MIL-C-104C



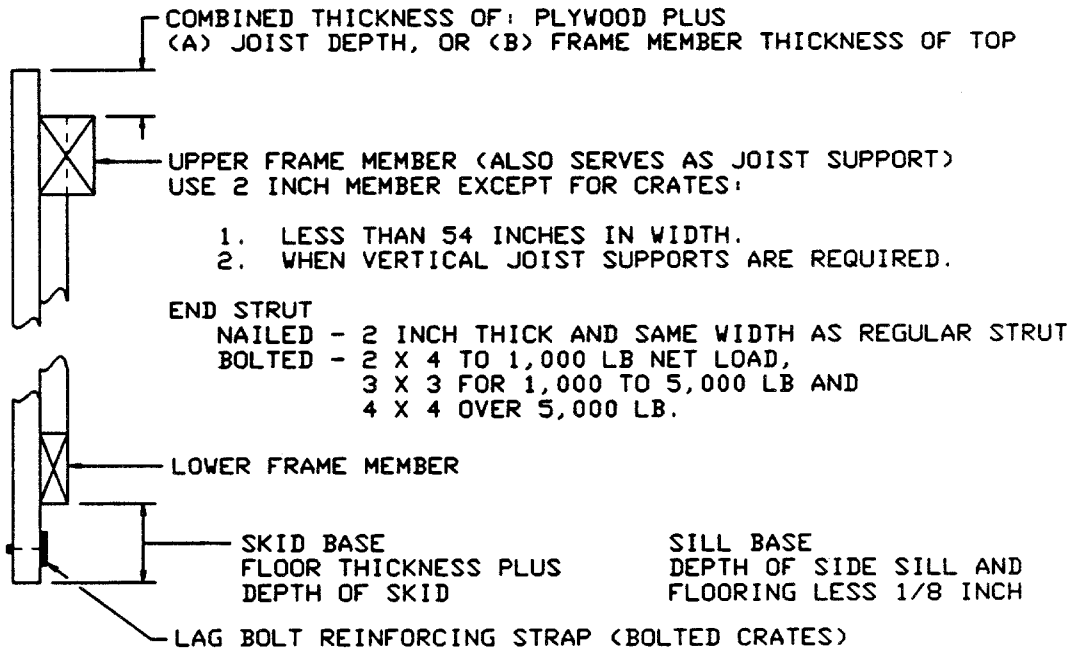
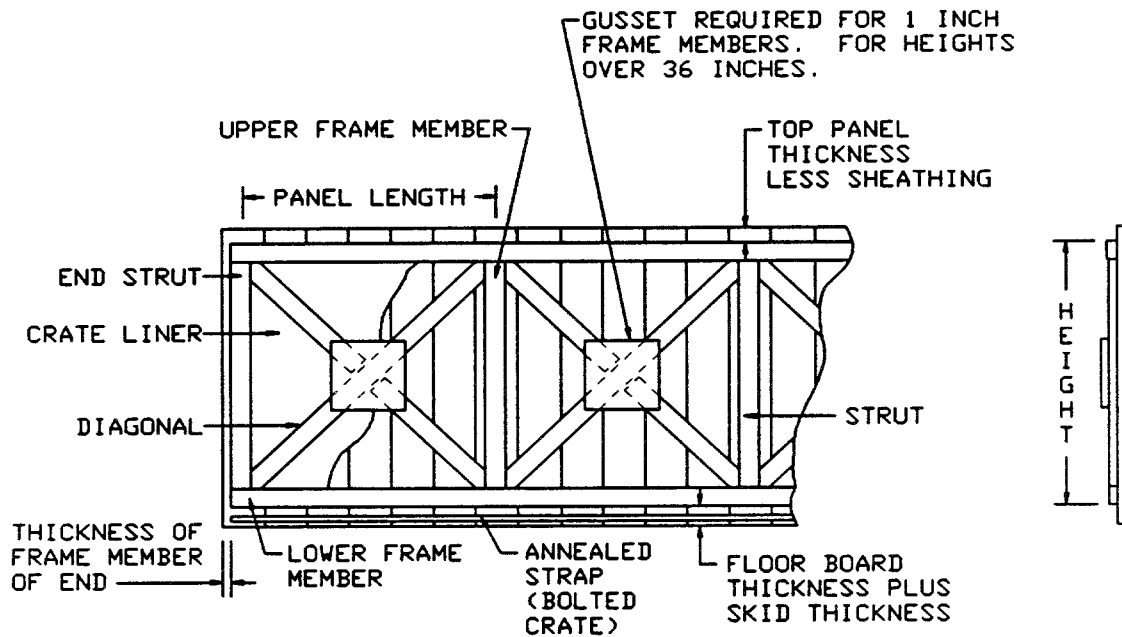
WIDE TOPS

- ① HEADER TO JOIST - 12d cc NAIL
 2 X 4's - 2 NAILS
 2 X 6's - 3 NAILS
- ② PLYWOOD TO JOIST AND HEADER
 5d cc NAIL - SPACE 8 IN. ON CENTER
- ③ ROOFING FELT - 4 IN. LAP AT JOINT - USE MASTIC
- ④ SHEATHING INTO JOIST - 8d cc NAILS
 1 X 4, 1 X 6 - 2 NAILS PER JOIST
 1 X 8, 1 X 10 - 3 NAILS PER JOIST

SMPT 339

Figure 6-62. Fabrication of tops (wide top) (MIL-C-104).

MIL-C-104C



SMPT 340

Figure 6-63. Sides type A panel (lumber) (heights over 24 inches to 60 inches)
(MIL-C-104).

Liners

A crate liner shall be applied between the sheathing and frame members of sides and ends of all lumber-sheathed crates and shall conform to the crate liners specified in PPP-B-1055. The paper shall be placed horizontally as unrolled, with a 4-inch minimum shingle lap applied for proper drainage and shall cover the entire framed area. Vertical joints, when require, shall have a minimum 4-inch lap and shall be located at a vertical member.

Sheathing

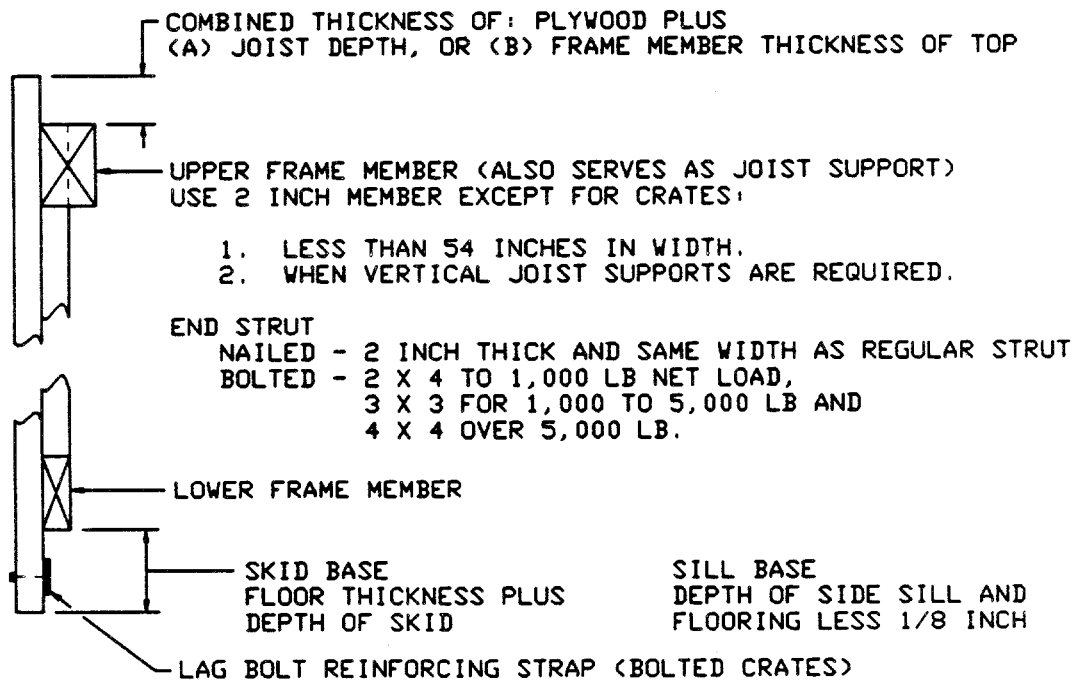
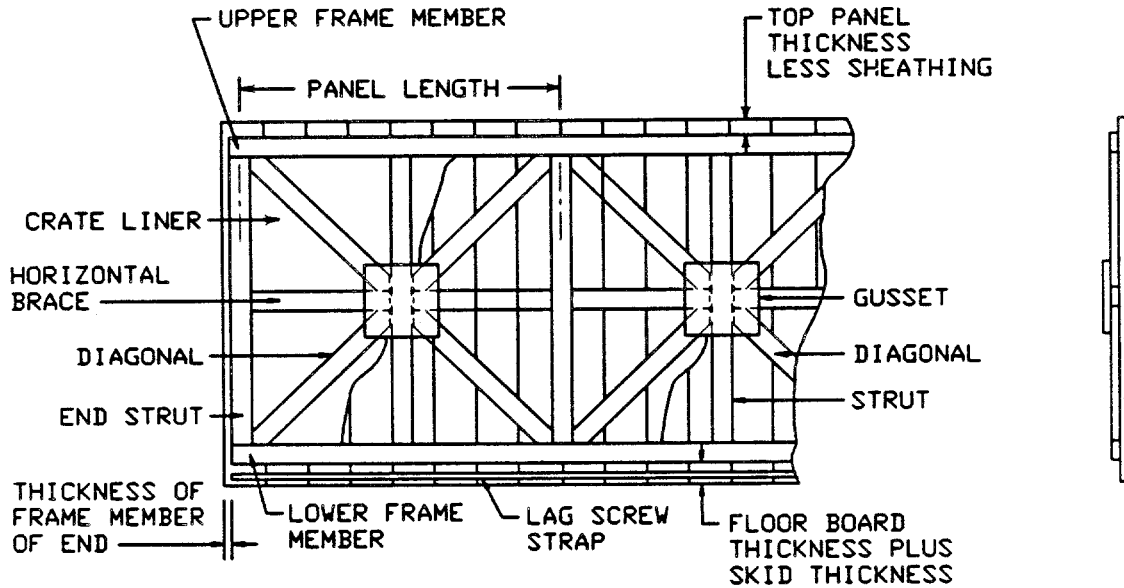
Sheathing for the side and end panels of crates shall be applied vertically, shall extend to the bottom of the skids one side panels and to the tops of skids on the end panels of skid type base crates. Sheathing shall extend to the bottom of sills on sill-type base crates. Sheathing shall be either tongue-and-groove or square and shall be 1 inch thick. At least one side of all boards shall be dressed and the dressed side placed outward. No boards shall be less than 4 inches in width. End boards shall be not less than 6 inches wide and preferably wider. No more than 10 percent of the boards (not more than one out of 10 boards) shall be of the minimum width, nor shall the narrow boards be adjacent to each other. Short boards, not less than 2 feet in length, may be used under the following conditions (figure 6-67):

- boards shall be cut at right angles,
- the center of a short sheathing board shall be at the approximate center of the width of a diagonal and shall have full coverage by the diagonal, or shall be joined on a horizontal member,
- at least every second board and all end boards shall be full length, and
- nailing shall be as shown in figure 6-67.

Fabrication Nailing

Nails securing sheathing to framing up to and including 2 inch thickness shall be driven through the sheathing and shall be of such length as to permit a minimum of 1/4-inch clinch on the framing. For nailing sheathing to horizontal and diagonal frame members 4 to 6 inches wide, three rows of nails shall be used. There shall be a minimum of three nails per crossing in sheathing boards 4 to 6 inches wide and a minimum of four nails in wider boards (figure 6-67). For nailing sheathing to horizontal and diagonal frame members over 6 inches wide, four rows of nails shall be used. There shall be a minimum of four nails per crossing in sheathing boards 4 to 8 inches wide and a minimum of five nails in wider boards (figure 6-65). For nailing sheathing to struts 4 to 6 inches wide, two rows of nails shall be used. The nails shall be spaced approximately 8 inches apart in each row and staggered. For wider struts use three rows of nails. The nails shall be spaced approximately 12 apart and staggered. Nail spacing at vertical butt joints shall be as shown in figure 6-67. Gusset plates shall be secured with sevenpenny nails driven through and clinched on the sheathing. Nailing shall be shown in figure 6-66. Vertical joist supports shall be secured with two tenpenny nails at each horizontal frame member crossing and one tenpenny nails at each diagonal crossing as shown in figure 6-66. Where vertical joists coincide with struts, there shall be two rows of nails on 30 inch centers.

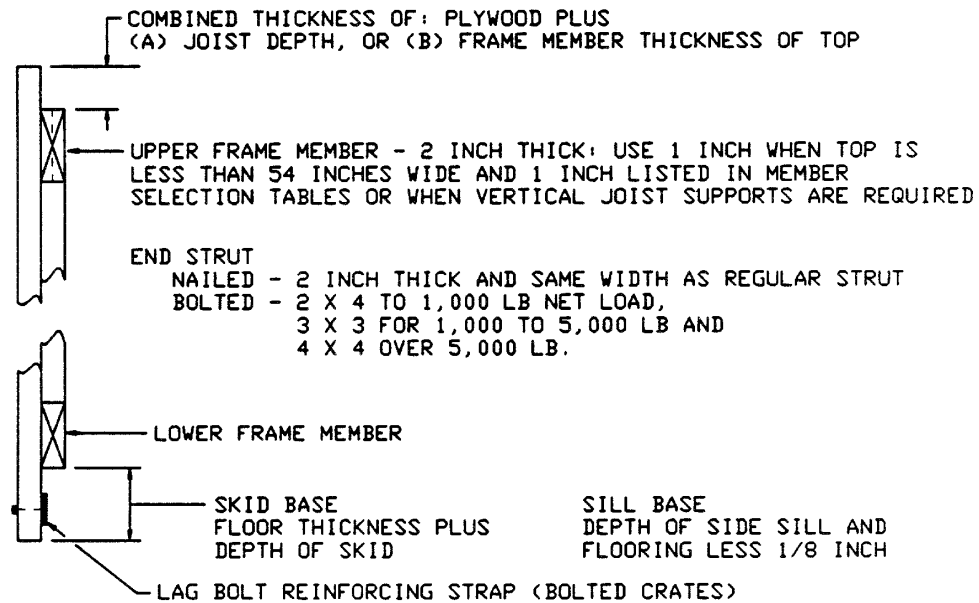
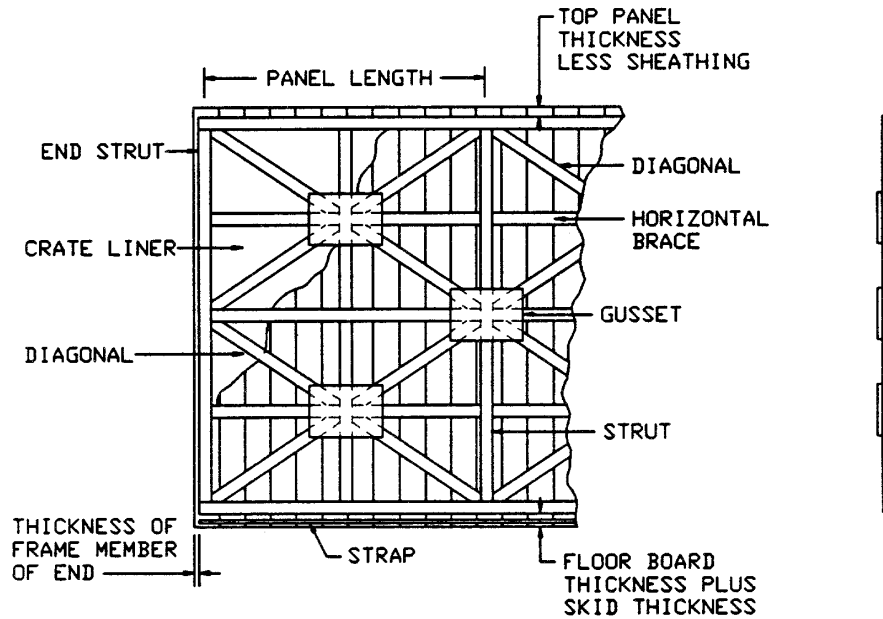
MIL-C-104C



SMPT 341

Figure 6-64. Sides type B panel (lumber) (heights over 60 inches to 108 inches)
(MIL-C-104).

MIL-C-104C



SMPT 342

Figure 6-65. Sides type C panel (lumber) (heights over 108 inches to 144 inches) (MIL-C-104).

Lag Screw Reinforcing Strap for Bolted Crates

Reinforcing strap shall be used on side and end panels of all demountable crates as shown in figures 6-68, 6-69 and 6-70. Galvanized steel strap, punched or drilled, 1-1/4 inches by 0.035 inch of 3/4 inch lag screws, and 2 inches by 0.050 inch for 1/2 and 5/8 inch lag screws, shall be nailed to the inner face of the sheathing between the lower edge of the bottom frame member and the bottom of the sheathing as shown in figure 6-68. The strap shall be located to coincide with the center of the skid or header and shall be nailed on maximum 2 inch centers to the sheathing with clout or similar nails. Nails shall be clinched at least 3/8 inch.

Ends

End types and size of members for ends in crates over 30 inches wide shall be determined in a manner similar to the sides, except that in all cases the thickness of the upper and lower frame members shall be the same as the struts specified in tables 6-34 to 6-43. The member arrangement shall conform, to the details shown in figure 6-81. For crates less than 30 inches wide, single diagonals only are required and all frame members shall be 1 by 4 inches in size as shown in figure 6-81.

ASSEMBLY (CLASS 1 CRATES)

BOLTED CRATE

General

Type II (bolted) crates shall be assembled with lag bolts. Lead holes shall be used for lag bolts.

Fastening Sides to Base

The sides shall be secured to the skids with lag bolts. For 3 X 4 inch skids, 3/8 inch diameter by 3-inch long lag bolts shall be used; for 4 X 4 inch skids, 1/2 inch diameter by 4 inch long lag bolts shall be used. The number of lag bolts shall be as specified in table 6-44. One-half the number shall be used on each side and the spacing shall be uniform along the skid. Maximum spacing shall be 16 inches for 3/8-inch lag bolts and 20 inches for 1/2 inch lag bolts. Lead holes shall be drilled in line with and through the center of the metal reinforcing strap, as well as through the sheathing and into the skid. Assembly and placement details shall be as shown on figures 6-71 and 6-72.

Fastening Sides to Top

Lag bolts, 3/8 inch diameter by 3-1/2 inches long, shall be used to fasten the sides to the top. These lag bolts shall be placed so that there is one in the end of each joist at the approximate center (figure 6-73). For tops without joists, lag bolts shall be placed at the approximate center of the side frame member of the top and spaced no greater than 24 inches apart.

Fastening Ends to Top, Sides, and Base

Lag bolts for fastening ends to tops shall be 3/8 inch in diameter by 2-1/2 inches long. Lag bolts for fastening ends to sides shall be 3/8 inch diameter by 3-1/2 inches long. Placement and other assembly details shall be as shown in figure 6-71 and 6-73. Lag bolts for fastening ends to base shall be the same size. Location and spacing shall be as shown in figures 6-71 and 6-72. Lead holes shall be centered on the reinforcing strap.

Table 6-34. Panel member selection table for 1,000 lb. net load*

Note. All blank spaces are 1X4s

Length (ft.)	Member	4 foot width			6 foot width			8 foot width			10 foot width		
		2	4	6	8	10	12	2	4	6	8	10	12
6	Upper frame												
	Lower frame												
	Struts		2x4	2x4	2x4	2x4	2x4	2x4	2x4	2x4	2x4	2x4	2x4
	Diagonal												
8	Upper frame												
	Lower frame												
	Struts		2x4	2x4	2x4	2x4	2x4	2x4	2x4	2x4	2x4	2x4	2x4
	Diagonal												
10	Upper frame												
	Lower frame												
	Struts		2x4	2x4	2x4	2x4	2x4	2x4	2x4	2x4	2x4	2x4	2x4
	Diagonal												
12	Upper frame												
	Lower frame												
	Struts		2x4	2x4	2x4	2x4	2x4	2x4	2x4	2x4	2x4	2x4	2x4
	Diagonal												
16	Upper frame												
	Lower frame												
	Struts		2x4	2x4	2x4	2x4	2x4	2x4	2x4	2x4	2x4	2x4	2x4
	Diagonal												
20	Upper frame												
	Lower frame												
	Struts		2x4	2x4	2x4	2x4	2x4	2x4	2x4	2x4	2x4	2x4	2x4
	Diagonal												
24	Upper frame												
	Lower frame												
	Struts		1x6	2x4	2x4	2x4	2x4	2x4	2x4	2x4	2x4	2x4	2x4
	Diagonal												
28	Upper frame												
	Lower frame												
	Struts		1x6	2x4	2x4	2x4	2x4	2x4	2x4	2x4	2x4	2x4	2x4
	Diagonal												
32	Upper frame												
	Lower frame												
	Struts		1x6	2x4	2x4	2x4	2x4	2x4	2x4	2x4	2x4	2x4	2x4
	Diagonal												

*Crates 12 feet high in 8-foot widths and crates 10 feet high in 6-foot widths require 2x4 vertical joists supports when struts are 1 inch thick; all other sizes use horizontal joist supports.

Table 6-35. Panel member selection table for 2,000 lb. net load

Length (ft.)	Member	4 foot width						6 foot width						8 foot width						10 foot width					
		2	4	6	8	10	12	2	4	6	8	10	12	2	4	6	8	10	12	2	4	6	8	10	12
6	Upper frame							2x4	2x4	2x4	2x4	2x4	2x4	2x4	2x4	2x4	2x4	2x4	2x4	2x4	2x4	2x4	2x4	2x4	2x4
	Lower frame																								
	Struts																								
	Diagonal																								
8	Upper frame							2x4	2x4	2x4	2x4	2x4	2x4	2x4	2x4	2x4	2x4	2x4	2x4	2x4	2x4	2x4	2x4	2x4	2x4
	Lower frame																								
	Struts																								
	Diagonal																								
10	Upper frame							2x4	2x4	2x4	2x4	2x4	2x4	2x4	2x4	2x4	2x4	2x4	2x4	2x4	2x4	2x4	2x4	2x4	2x4
	Lower frame																								
	Struts																								
	Diagonal																								
12	Upper frame							2x4	2x4	2x4	2x4	2x4	2x4	2x4	2x4	2x4	2x4	2x4	2x4	2x4	2x4	2x4	2x4	2x4	2x4
	Lower frame																								
	Struts																								
	Diagonal																								
16	Upper frame							2x4	2x4	2x4	2x4	2x4	2x4	2x4	2x4	2x4	2x4	2x4	2x4	2x4	2x4	2x4	2x4	2x4	2x4
	Lower frame																								
	Struts																								
	Diagonal																								
20	Upper frame							2x4	2x4	2x4	2x4	2x4	2x4	2x4	2x4	2x4	2x4	2x4	2x4	2x4	2x4	2x4	2x4	2x4	2x4
	Lower frame																								
	Struts																								
	Diagonal																								
24	Upper frame							1x6	2x4	2x4	2x4	2x4	2x4	1x6	2x4	2x4	2x4	2x4	2x4	1x6	2x4	2x4	2x4	2x4	2x4
	Lower frame																								
	Struts							1x6			1x6			1x6	1x6					1x6	1x6				
	Diagonal							1x6			1x6			1x6			2x4			1x6			2x4		
28	Upper frame							1x6	2x4	2x4	2x4	2x4	2x4	1x6	2x4	2x4	2x4	2x4	2x4	1x6	2x4	2x4	2x4	2x4	2x4
	Lower frame																								
	Struts							1x6			1x6			1x6	1x6					1x6	1x6				
	Diagonal							1x6			1x6			1x6			2x4			1x6			2x4		
32	Upper frame							1x6	1x6	2x4	2x4	2x4	2x4	1x6	2x4	2x4	2x4	2x4	2x4	1x6	2x4	2x4	2x4	2x4	2x4
	Lower frame																								
	Struts							1x6			2x4			1x6	1x6					1x6	1x6				
	Diagonal							1x6			2x4			1x6			2x4			1x6			2x4		

Note. All balk spaces are 1x4s.

*Crates 12 feet high in 6-foot widths and crates 10 feet high in 8-foot widths require 2x4 vertical joists supports when struts are 1 inch thick; all other sizes use horizontal joist supports.

Table 6-36. Panel member selection table for 4,000 lb. net load

Length (ft.)	Member	4 foot width Height (ft.)						6 foot width Height (ft.)						8 foot width Height (ft.)						10 foot width Height (ft.)					
		2	4	6	8	10	12	2	4	6	8	10	12	2	4	6	8	10	12	2	4	6	8	10	12
6	Upper frame							2x4	2x4	2x4	2x4	2x4	2x4	2x4	2x4	2x4	2x4	2x4	2x4	2x4	2x4	2x4	2x4	2x4	2x4
	Lower frame																								
	Struts																								
	Diagonal																						1x6		
8	Upper frame							2x4	2x4	2x4	2x4	2x4	2x4							2x4	2x4	2x4	2x4	2x4	2x4
	Lower frame																			2x4	2x4	2x4	2x4	2x4	2x4
	Struts																			2x4	2x4	2x4	2x4	2x4	2x4
	Diagonal											1x6								2x4	2x4	2x4	1x6		
10	Upper frame							2x4	2x4	2x4	2x4	2x4	2x4							2x4	2x4	2x4	2x4	2x4	2x4
	Lower frame																			2x4	2x4	2x4	2x4	2x4	2x4
	Struts																			2x4	2x4	2x4	2x4	2x4	2x4
	Diagonal											1x6								2x4	2x4	2x4	2x4	2x4	2x4
12	Upper frame							2x4	2x4	2x4	2x4	2x4	2x4							2x4	2x4	2x4	2x4	2x4	2x4
	Lower frame																			2x4	2x4	2x4	2x4	2x4	2x4
	Struts																			2x4	2x4	2x4	2x4	2x4	2x4
	Diagonal											1x6								2x4	2x4	2x4	2x4	2x4	2x4
16	Upper frame	1x6						2x4	2x4	2x4	2x4	2x4	2x4							2x4	2x4	2x4	2x4	2x4	2x4
	Lower frame																			2x4	2x4	2x4	2x4	2x4	2x4
	Struts																			2x4	2x4	2x4	2x4	2x4	2x4
	Diagonal											1x6								2x4	2x4	2x4	2x4	2x4	2x4
20	Upper frame	1x6						2x4	2x4	2x4	2x4	2x4	2x4							2x4	2x4	2x4	2x4	2x4	2x4
	Lower frame																			2x4	2x4	2x4	2x4	2x4	2x4
	Struts																			2x4	2x4	2x4	2x4	2x4	2x4
	Diagonal											1x6								2x4	2x4	2x4	2x4	2x4	2x4
24	Upper frame	1x6	1x6					1x6	1x6	2x4	2x4	2x4	2x4							1x6	1x6	2x4	2x4	2x4	2x4
	Lower frame																			2x4	2x4	2x4	2x4	2x4	2x4
	Struts							1x6	1x6											1x6	1x6	2x4	2x4	2x4	2x4
	Diagonal							1x6	1x6				1x6							1x6	1x6	2x4	2x4	2x4	2x4
28	Upper frame	1x6	1x6					1x6	2x4	2x4	2x4	2x4	2x4							1x6	2x4	2x4	2x4	2x4	2x4
	Lower frame																			1x6	2x4	2x4	2x4	2x4	2x4
	Struts							1x6	1x6											1x6	1x6	2x4	2x4	2x4	2x4
	Diagonal							1x6	1x6				1x6							1x6	1x6	2x4	2x4	2x4	2x4
32	Upper frame	1x6	1x6	2x4				1x6	2x4	2x4	2x4	2x4	2x4							1x6	1x6	2x4	2x4	2x4	2x4
	Lower frame																			1x6	1x6	2x4	2x4	2x4	2x4
	Struts							1x6	1x6											1x6	1x6	2x4	2x4	2x4	2x4
	Diagonal							1x6	1x6				1x6							1x6	1x6	2x4	2x4	2x4	2x4

*Crates 12 feet high in 6-foot widths and crates 10 feet high in 8-foot widths require 2x4 vertical joists supports when struts are 1 inch thick; all other sizes use horizontal joist supports.

Table 6-37. Panel member selection table for 6,000 lb. net load

Length (ft.)	4 foot width				6 foot width				8 foot width				10 foot width					
	2	4	6	8	10	12	2	4	6	8	10	12	2	4	6	8	10	12
6	Member																	
	Upper frame						2x4	2x4	2x4	2x4	2x4	2x4	2x4	2x4	2x4	2x4	2x4	2x4
	Lower frame						2x4	2x4	2x4	2x4	2x4	2x4	2x4	2x4	2x4	2x4	2x4	2x4
	Struts																	
8	Member																	
	Upper frame						2x4	2x4	2x4	2x4	2x4	2x4	2x4	2x4	2x4	2x4	2x4	2x4
	Lower frame						2x4	2x4	2x4	2x4	2x4	2x4	2x4	2x4	2x4	2x4	2x4	2x4
	Struts																	
10	Member																	
	Upper frame						2x4	2x4	2x4	2x4	2x4	2x4	2x4	2x4	2x4	2x4	2x4	2x4
	Lower frame						2x4	2x4	2x4	2x4	2x4	2x4	2x4	2x4	2x4	2x4	2x4	2x4
	Struts																	
12	Member																	
	Upper frame						2x4	2x4	2x4	2x4	2x4	2x4	2x4	2x4	2x4	2x4	2x4	2x4
	Lower frame						2x4	2x4	2x4	2x4	2x4	2x4	2x4	2x4	2x4	2x4	2x4	2x4
	Struts																	
16	Member																	
	Upper frame						2x4	2x4	2x4	2x4	2x4	2x4	2x4	2x4	2x4	2x4	2x4	2x4
	Lower frame						2x4	2x4	2x4	2x4	2x4	2x4	2x4	2x4	2x4	2x4	2x4	2x4
	Struts																	
20	Member																	
	Upper frame						2x4	2x4	2x4	2x4	2x4	2x4	2x4	2x4	2x4	2x4	2x4	2x4
	Lower frame						2x4	2x4	2x4	2x4	2x4	2x4	2x4	2x4	2x4	2x4	2x4	2x4
	Struts																	
24	Member																	
	Upper frame						2x4	2x4	2x4	2x4	2x4	2x4	2x6	2x4	2x4	2x4	2x4	2x4
	Lower frame						2x4	2x4	2x4	2x4	2x4	2x4	2x4	2x4	2x4	2x4	2x4	2x4
	Struts																	
28	Member																	
	Upper frame						2x4	2x4	2x4	2x4	2x4	2x4	2x6	2x6	2x4	2x4	2x4	2x4
	Lower frame						2x4	2x4	2x4	2x4	2x4	2x4	2x4	2x4	2x4	2x4	2x4	2x4
	Struts																	
32	Member																	
	Upper frame						2x6	2x6	2x4	2x4	2x4	2x4	2x6	2x6	2x6	2x4	2x4	2x4
	Lower frame						2x6	2x6	2x4	2x4	2x4	2x4	2x6	2x6	2x6	2x4	2x4	2x4
	Struts																	

*Crates 12 feet high in 6-foot widths and crates 10 feet high in 8-foot widths require 2x4 vertical joists supports when struts are 1 inch thick; all other sizes use horizontal joist supports.

Table 6-38. Panel member selection table for 8,000 lb. net load.*

Note. All balk spaces are 1x4s.

Length (ft.)	4 foot width				6 foot width				8 foot width				10 foot width					
	2	4	6	8	10	12	2	4	6	8	10	12	2	4	6	8	10	12
6	Member																	
	Upper frame			2x4	2x4	2x4	2x4	2x4	2x4	2x4	2x4	2x4	2x4	2x4	2x4	2x4	2x4	2x4
	Lower frame			2x4	2x4	2x4	2x4	2x4	2x4	2x4	2x4	2x4	2x4	2x4	2x4	2x4	2x4	2x4
	Struts			2x4	2x4	2x4	2x4	2x4	2x4	2x4	2x4	2x4	2x4	2x4	2x4	2x4	2x4	2x4
8	Member																	
	Upper frame	1x6		2x4	2x4	2x4	2x4	2x4	2x4	2x4	2x4	2x4	2x4	2x4	2x4	2x4	2x4	2x4
	Lower frame			2x4	2x4	2x4	2x4	2x4	2x4	2x4	2x4	2x4	2x4	2x4	2x4	2x4	2x4	2x4
	Struts			2x4	2x4	2x4	2x4	2x4	2x4	2x4	2x4	2x4	2x4	2x4	2x4	2x4	2x4	2x4
10	Member																	
	Upper frame	1x6		2x4	2x4	2x4	2x4	2x4	2x4	2x4	2x4	2x4	2x4	2x4	2x4	2x4	2x4	2x4
	Lower frame			2x4	2x4	2x4	2x4	2x4	2x4	2x4	2x4	2x4	2x4	2x4	2x4	2x4	2x4	2x4
	Struts			2x4	2x4	2x4	2x4	2x4	2x4	2x4	2x4	2x4	2x4	2x4	2x4	2x4	2x4	2x4
12	Member																	
	Upper frame	2x6		2x4	2x4	2x4	2x4	2x4	2x4	2x4	2x4	2x4	2x4	2x4	2x4	2x4	2x4	2x4
	Lower frame			2x4	2x4	2x4	2x4	2x4	2x4	2x4	2x4	2x4	2x4	2x4	2x4	2x4	2x4	2x4
	Struts			2x4	2x4	2x4	2x4	2x4	2x4	2x4	2x4	2x4	2x4	2x4	2x4	2x4	2x4	2x4
16	Member																	
	Upper frame	2x6		2x4	2x4	2x4	2x4	2x4	2x4	2x4	2x4	2x4	2x4	2x4	2x4	2x4	2x4	2x4
	Lower frame			2x4	2x4	2x4	2x4	2x4	2x4	2x4	2x4	2x4	2x4	2x4	2x4	2x4	2x4	2x4
	Struts			2x4	2x4	2x4	2x4	2x4	2x4	2x4	2x4	2x4	2x4	2x4	2x4	2x4	2x4	2x4
20	Member																	
	Upper frame	2x6	1x6	2x4	2x4	2x4	2x4	2x4	2x4	2x4	2x4	2x4	2x6	2x4	2x4	2x4	2x4	2x4
	Lower frame			2x4	2x4	2x4	2x4	2x4	2x4	2x4	2x4	2x4	2x4	2x4	2x4	2x4	2x4	2x4
	Struts			2x4	2x4	2x4	2x4	2x4	2x4	2x4	2x4	2x4	2x4	2x4	2x4	2x4	2x4	2x4
24	Member																	
	Upper frame	2x6	2x6	1x6	1x6	2x4	2x4	2x4	2x4	2x4	2x4	2x4	1x6	2x6	2x4	2x4	2x4	2x4
	Lower frame	1x6		2x4	2x4	2x4	2x4	2x4	2x4	2x4	2x4	2x4	2x4	2x4	2x4	2x4	2x4	2x4
	Struts	1x6		2x4	2x4	2x4	2x4	2x4	2x4	2x4	2x4	2x4	2x4	2x4	2x4	2x4	2x4	2x4
28	Member																	
	Upper frame	2x6	2x6	2x4	2x4	2x4	2x4	2x4	2x4	2x4	2x4	2x4	2x6	2x6	2x4	2x4	2x4	2x4
	Lower frame	1x6		2x4	2x4	2x4	2x4	2x4	2x4	2x4	2x4	2x4	2x4	2x4	2x4	2x4	2x4	2x4
	Struts	1x6		2x4	2x4	2x4	2x4	2x4	2x4	2x4	2x4	2x4	2x4	2x4	2x4	2x4	2x4	2x4
32	Member																	
	Upper frame	2x8	2x8	1x6	2x4	2x4	2x4	2x4	2x4	2x4	2x4	2x4	2x6	2x6	2x4	2x4	2x4	2x4
	Lower frame	1x8		2x4	2x4	2x4	2x4	2x4	2x4	2x4	2x4	2x4	2x4	2x4	2x4	2x4	2x4	2x4
	Struts	1x8		2x4	2x4	2x4	2x4	2x4	2x4	2x4	2x4	2x4	2x4	2x4	2x4	2x4	2x4	2x4

*Crates 12 feet high in 6-foot widths and crates 10 feet high in 8-foot widths require 2x4 vertical joists supports when struts are 1 inch thick; all other sizes use horizontal joist supports.

Table 6-39. Panel member selection table for 10,000 lb. net load.*

Note. All balnk spaces are 1x4s.

Length (ft.)	Member	4 foot width						6 foot width						8 foot width						10 foot width					
		2	4	6	8	10	12	2	4	6	8	10	12	2	4	6	8	10	12	2	4	6	8	10	12
6	Upper frame				2x4	2x4	2x4	2x4	2x4	2x4	2x4	2x4	2x4	2x4	2x4	2x4	2x4	2x4	2x4	2x4	2x4	2x4	2x4	2x4	2x4
	Lower frame				2x4	2x4	2x4	2x4	2x4	2x4	2x4	2x4	2x4	2x4	2x4	2x4	2x4	2x4	2x4	2x4	2x4	2x4	2x4	2x4	
	Struts				2x4	1x6	2x4	1x6	2x4	2x4	1x6	2x4	2x4	2x4	2x4	1x6	2x4	2x4	2x4	2x4	1x6	2x4	2x4	2x4	2x4
8	Diagonal				1x6	2x4	2x4	1x6	2x4	2x4	1x6	2x4	2x4	2x4	2x4	1x6	2x4	2x4	2x4	2x4	1x6	2x4	2x4	2x4	2x4
	Upper frame	1x6			2x4	2x4	2x4	2x4	2x4	2x4	2x4	2x4	2x4	2x4	2x4	2x4	2x4	2x4	2x4	2x4	2x4	2x4	2x4	2x4	2x4
	Lower frame				2x4	2x4	2x4	2x4	2x4	2x4	2x4	2x4	2x4	2x4	2x4	2x4	2x4	2x4	2x4	2x4	2x4	2x4	2x4	2x4	2x4
10	Struts				2x4	2x4	2x4	2x4	2x4	2x4	2x4	2x4	2x4	2x4	2x4	2x4	2x4	2x4	2x4	2x4	2x4	2x4	2x4	2x4	2x4
	Diagonal				1x6	1x6	2x4	1x6	1x6	2x4	1x6	2x4	1x6	1x6	2x4	1x6	2x4	1x6	1x6	2x4	1x6	2x4	1x6	2x4	
	Upper frame	2x6			2x4	2x4	2x4	2x6	2x4	2x4	2x4	2x4	2x6	2x4	2x4	2x4	2x4	2x6	2x4	2x4	2x4	2x4	2x6	2x4	
12	Lower frame				2x4	2x4	2x4	2x4	2x4	2x4	2x4	2x4	2x4	2x4	2x4	2x4	2x4	2x4	2x4	2x4	2x4	2x4	2x4	2x4	
	Struts				1x6	2x4	2x4	1x6	2x4	2x4	1x6	2x4	2x4	2x4	2x4	1x6	2x4	2x4	2x4	2x4	1x6	2x4	2x4	2x4	
	Diagonal				1x6	1x6	2x4	1x6	1x6	2x4	1x6	2x4	1x6	1x6	2x4	1x6	2x4	1x6	1x6	2x4	1x6	2x4	1x6	2x4	
16	Upper frame	2x8	1x6		2x4	2x4	2x4	2x8	2x4	2x4	2x4	2x4	2x8	2x4	2x4	2x4	2x4	2x8	2x4	2x4	2x4	2x4	2x8	2x4	
	Lower frame				2x4	2x4	2x4	2x4	2x4	2x4	2x4	2x4	2x4	2x4	2x4	2x4	2x4	2x4	2x4	2x4	2x4	2x4	2x4	2x4	
	Struts				2x4	2x4	2x4	2x4	2x4	2x4	2x4	2x4	2x4	2x4	2x4	2x4	2x4	2x4	2x4	2x4	2x4	2x4	2x4	2x4	
20	Diagonal	1x6	1x6		2x4	2x4	2x4	1x6	1x6	2x4	2x4	2x4	1x6	1x6	2x4	2x4	2x4	1x6	1x6	2x4	2x4	2x4	1x6	2x4	
	Upper frame	2x8	2x4		2x4	2x4	2x4	2x8	2x4	2x4	2x4	2x4	2x8	2x4	2x4	2x4	2x4	2x8	2x4	2x4	2x4	2x4	2x8	2x4	
	Lower frame				2x4	2x4	2x4	2x4	2x4	2x4	2x4	2x4	2x4	2x4	2x4	2x4	2x4	2x4	2x4	2x4	2x4	2x4	2x4	2x4	
24	Struts				2x4	2x4	2x4	2x4	2x4	2x4	2x4	2x4	2x4	2x4	2x4	2x4	2x4	2x4	2x4	2x4	2x4	2x4	2x4	2x4	
	Diagonal				1x6	1x6	2x4	1x6	1x6	2x4	1x6	2x4	1x6	1x6	2x4	1x6	2x4	1x6	1x6	2x4	1x6	2x4	1x6	2x4	
	Upper frame	2x8	2x4		2x4	2x4	2x4	2x8	2x4	2x4	2x4	2x4	2x8	2x4	2x4	2x4	2x4	2x8	2x4	2x4	2x4	2x4	2x8	2x4	
28	Lower frame				2x4	2x4	2x4	2x4	2x4	2x4	2x4	2x4	2x4	2x4	2x4	2x4	2x4	2x4	2x4	2x4	2x4	2x4	2x4	2x4	
	Struts				2x4	2x4	2x4	2x4	2x4	2x4	2x4	2x4	2x4	2x4	2x4	2x4	2x4	2x4	2x4	2x4	2x4	2x4	2x4	2x4	
	Diagonal				1x6	2x4	2x4	1x6	2x4	2x4	1x6	2x4	2x4	2x4	2x4	1x6	2x4	2x4	2x4	2x4	1x6	2x4	2x4	2x4	
32	Upper frame	2x8	2x8		2x6	2x6	2x4	2x8	2x8	2x6	2x6	2x4	2x8	2x8	2x6	2x6	2x4	2x8	2x8	2x6	2x6	2x4	2x8	2x8	
	Lower frame				2x4	2x4	2x4	2x4	2x4	2x4	2x4	2x4	2x4	2x4	2x4	2x4	2x4	2x4	2x4	2x4	2x4	2x4	2x4	2x4	
	Struts				2x4	2x4	2x4	2x4	2x4	2x4	2x4	2x4	2x4	2x4	2x4	2x4	2x4	2x4	2x4	2x4	2x4	2x4	2x4	2x4	
36	Diagonal	2x8	1x6		2x4	2x4	2x4	2x8	1x6	2x4	2x4	2x4	2x8	1x6	2x4	2x4	2x4	2x8	1x6	2x4	2x4	2x4	2x8	1x6	
	Upper frame	2x8	2x8		2x6	2x6	2x4	2x8	2x8	2x6	2x6	2x4	2x8	2x8	2x6	2x6	2x4	2x8	2x8	2x6	2x6	2x4	2x8	2x8	
	Lower frame				2x4	2x4	2x4	2x4	2x4	2x4	2x4	2x4	2x4	2x4	2x4	2x4	2x4	2x4	2x4	2x4	2x4	2x4	2x4	2x4	

*Crates 12 feet high in 6-foot widths and crates 10 feet high in 6-foot widths require 2x4 vertical joists supports when struts are 1 inch thick; all other sizes use horizontal joist supports.

Table 6-40. Panel member selection table for 15,000 lb. net load.*

Note. All balk spaces are 2x4s.

Length (ft.)	Member	4 foot width				6 foot width				8 foot width				10 foot width								
		4	6	8	10	12	4	6	8	10	12	4	6	8	10	12	4	6	8	10	12	
6	Upper frame																					
	Lower frame																					
	Struts Diagonal			2x6	2x6	2x6			2x6	2x6	2x6			2x6	2x6	2x6			2x6	2x6	2x6	2x6
8	Upper frame																					
	Lower frame																					
	Struts Diagonal			2x6	2x6	2x6			2x6	2x6	2x6			2x6	2x6	2x6			2x6	2x6	2x6	2x6
10	Upper frame																					
	Lower frame																					
	Struts Diagonal			2x6	2x6	2x6			2x6	2x6	2x6			2x6	2x6	2x6			2x6	2x6	2x6	2x6
12	Upper frame																					
	Lower frame																					
	Struts Diagonal			2x6	2x6	2x6			2x6	2x6	2x6			2x6	2x6	2x6			2x6	2x6	2x6	2x6
16	Upper frame																					
	Lower frame																					
	Struts Diagonal			2x6	2x6	2x6			2x6	2x6	2x6			2x6	2x6	2x6			2x6	2x6	2x6	2x6
20	Upper frame																					
	Lower frame																					
	Struts Diagonal			2x6	2x6	2x6			2x6	2x6	2x6			2x6	2x6	2x6			2x6	2x6	2x6	2x6
24	Upper frame																					
	Lower frame																					
	Struts Diagonal			2x6	2x6	2x6			2x6	2x6	2x6			2x6	2x6	2x6			2x6	2x6	2x6	2x6
28	Upper frame																					
	Lower frame																					
	Struts Diagonal			2x6	2x6	2x6			2x6	2x6	2x6			2x6	2x6	2x6			2x6	2x6	2x6	2x6
32	Upper frame																					
	Lower frame																					
	Struts Diagonal			2x6	2x6	2x6			2x6	2x6	2x6			2x6	2x6	2x6			2x6	2x6	2x6	2x6

*The above sizes are for uniform loads, but also apply to concentrated loads.

Table 6-41. Panel member selection table for 20,000 lb. net load.*

Length (ft.)	Member	4 foot width			6 foot width			8 foot width			10 foot width					
		4	6	8	10	12	4	6	8	10	12	4	6	8	10	12
6	Upper frame															
	Lower frame	2x6	2x6	2x6	2x6	2x6	2x6	2x6	2x6	2x6	2x6	2x6	2x6	2x6	2x6	2x6
	Struts	2x6	2x6	2x6	2x6	2x6	2x6	2x6	2x6	2x6	2x6	2x6	2x6	2x6	2x6	2x6
8	Diagonal	2x6	2x6	2x6	2x6	2x6	2x6	2x6	2x6	2x6	2x6	2x6	2x6	2x6	2x6	2x6
	Upper frame	2x6	2x6													
	Lower frame	2x6	2x6	2x6	2x6	2x6	2x6	2x6	2x6	2x6	2x6	2x6	2x6	2x6	2x6	2x6
10	Struts	2x6	2x6	2x6	2x6	2x6	2x6	2x6	2x6	2x6	2x6	2x6	2x6	2x6	2x6	2x6
	Diagonal	2x6	2x6	2x6	2x6	2x6	2x6	2x6	2x6	2x6	2x6	2x6	2x6	2x6	2x6	2x6
	Upper frame	2x6	2x6	2x6	2x6	2x6	2x6	2x6	2x6	2x6	2x6	2x6	2x6	2x6	2x6	2x6
12	Lower frame	2x6	2x6	2x6	2x6	2x6	2x6	2x6	2x6	2x6	2x6	2x6	2x6	2x6	2x6	2x6
	Struts	2x6	2x6	2x6	2x6	2x6	2x6	2x6	2x6	2x6	2x6	2x6	2x6	2x6	2x6	2x6
	Diagonal	2x6	2x6	2x6	2x6	2x6	2x6	2x6	2x6	2x6	2x6	2x6	2x6	2x6	2x6	2x6
16	Upper frame	2x6	2x6	2x6	2x6	2x6	2x6	2x6	2x6	2x6	2x6	2x6	2x6	2x6	2x6	2x6
	Lower frame	2x6	2x6	2x6	2x6	2x6	2x6	2x6	2x6	2x6	2x6	2x6	2x6	2x6	2x6	2x6
	Struts	2x6	2x6	2x6	2x6	2x6	2x6	2x6	2x6	2x6	2x6	2x6	2x6	2x6	2x6	2x6
20	Diagonal	2x6	2x6	2x6	2x6	2x6	2x6	2x6	2x6	2x6	2x6	2x6	2x6	2x6	2x6	2x6
	Upper frame	2x8	2x6	2x6	2x6	2x6	2x6	2x6	2x6	2x6	2x6	2x6	2x6	2x6	2x6	2x6
	Lower frame	2x6	2x6	2x6	2x6	2x6	2x6	2x6	2x6	2x6	2x6	2x6	2x6	2x6	2x6	2x6
24	Struts	2x6	2x6	2x6	2x6	2x6	2x6	2x6	2x6	2x6	2x6	2x6	2x6	2x6	2x6	2x6
	Diagonal	2x10	2x8	2x6	2x6	2x6	2x6	2x6	2x6	2x6	2x6	2x6	2x6	2x6	2x6	2x6
	Upper frame	2x6	2x6	2x6	2x6	2x6	2x6	2x6	2x6	2x6	2x6	2x6	2x6	2x6	2x6	2x6
28	Lower frame	2x6	2x6	2x6	2x6	2x6	2x6	2x6	2x6	2x6	2x6	2x6	2x6	2x6	2x6	2x6
	Struts	2x6	2x6	2x6	2x6	2x6	2x6	2x6	2x6	2x6	2x6	2x6	2x6	2x6	2x6	2x6
	Diagonal	2x6	2x6	2x6	2x6	2x6	2x6	2x6	2x6	2x6	2x6	2x6	2x6	2x6	2x6	2x6
32	Upper frame	2x10	2x8	2x6	2x6	2x6	2x6	2x6	2x6	2x6	2x6	2x6	2x6	2x6	2x6	2x6
	Lower frame	2x6	2x6	2x6	2x6	2x6	2x6	2x6	2x6	2x6	2x6	2x6	2x6	2x6	2x6	2x6
	Struts	2x6	2x6	2x6	2x6	2x6	2x6	2x6	2x6	2x6	2x6	2x6	2x6	2x6	2x6	2x6

*The above sizes are for uniform loads, but also apply to concentrated loads.

Table 6-42. Panel member selection table for 25,000 lb. net load.*

Length (ft.)	Member	4 foot width				6 foot width				8 foot width				10 foot width								
		4	6	8	10	12	4	6	8	10	12	4	6	8	10	12	4	6	8	10	12	
6	Upper frame	2x6	2x6	2x6	2x6	2x6	2x6	2x6	2x6	2x6	2x6	2x6	2x6	2x6	2x6	2x6	2x6	2x6	2x6	2x6	2x6	2x6
	Lower frame	2x6	2x6	2x6	2x6	2x6	2x6	2x6	2x6	2x6	2x6	2x6	2x6	2x6	2x6	2x6	2x6	2x6	2x6	2x6	2x6	2x6
	Struts Diagonal	2x6	2x8	2x8	2x8	2x8	2x6	2x6	2x8	2x8	2x8	2x6	2x6	2x8	2x8	2x8	2x6	2x6	2x8	2x8	2x8	2x8
8	Upper frame	2x6	2x6	2x6	2x6	2x6	2x6	2x6	2x6	2x6	2x6	2x6	2x6	2x6	2x6	2x6	2x6	2x6	2x6	2x6	2x6	2x6
	Lower frame	2x6	2x6	2x6	2x6	2x6	2x6	2x6	2x6	2x6	2x6	2x6	2x6	2x6	2x6	2x6	2x6	2x6	2x6	2x6	2x6	2x6
	Struts Diagonal	2x6	2x8	2x8	2x8	2x8	2x6	2x6	2x8	2x8	2x8	2x6	2x6	2x8	2x8	2x8	2x6	2x6	2x8	2x8	2x8	2x8
10	Upper frame	2x6	2x6	2x6	2x6	2x6	2x6	2x6	2x6	2x6	2x6	2x6	2x6	2x6	2x6	2x6	2x6	2x6	2x6	2x6	2x6	2x6
	Lower frame	2x6	2x6	2x6	2x6	2x6	2x6	2x6	2x6	2x6	2x6	2x6	2x6	2x6	2x6	2x6	2x6	2x6	2x6	2x6	2x6	2x6
	Struts Diagonal	2x6	2x8	2x8	2x8	2x8	2x6	2x6	2x8	2x8	2x8	2x6	2x6	2x8	2x8	2x8	2x6	2x6	2x8	2x8	2x8	2x8
12	Upper frame	2x6	2x6	2x6	2x6	2x6	2x6	2x6	2x6	2x6	2x6	2x6	2x6	2x6	2x6	2x6	2x6	2x6	2x6	2x6	2x6	2x6
	Lower frame	2x6	2x6	2x6	2x6	2x6	2x6	2x6	2x6	2x6	2x6	2x6	2x6	2x6	2x6	2x6	2x6	2x6	2x6	2x6	2x6	2x6
	Struts Diagonal	2x6	2x8	2x8	2x8	2x8	2x6	2x6	2x8	2x8	2x8	2x6	2x6	2x8	2x8	2x8	2x6	2x6	2x8	2x8	2x8	2x8
16	Upper frame	2x6	2x6	2x6	2x6	2x6	2x6	2x6	2x6	2x6	2x6	2x6	2x6	2x6	2x6	2x6	2x6	2x6	2x6	2x6	2x6	2x6
	Lower frame	2x6	2x6	2x6	2x6	2x6	2x6	2x6	2x6	2x6	2x6	2x6	2x6	2x6	2x6	2x6	2x6	2x6	2x6	2x6	2x6	2x6
	Struts Diagonal	2x6	2x8	2x8	2x8	2x8	2x6	2x6	2x8	2x8	2x8	2x6	2x6	2x8	2x8	2x8	2x6	2x6	2x8	2x8	2x8	2x8
20	Upper frame	2x6	2x6	2x6	2x6	2x6	2x6	2x6	2x6	2x6	2x6	2x6	2x6	2x6	2x6	2x6	2x6	2x6	2x6	2x6	2x6	2x6
	Lower frame	2x6	2x6	2x6	2x6	2x6	2x6	2x6	2x6	2x6	2x6	2x6	2x6	2x6	2x6	2x6	2x6	2x6	2x6	2x6	2x6	2x6
	Struts Diagonal	2x6	2x8	2x8	2x8	2x8	2x6	2x6	2x8	2x8	2x8	2x6	2x6	2x8	2x8	2x8	2x6	2x6	2x8	2x8	2x8	2x8
24	Upper frame	2x6	2x6	2x6	2x6	2x6	2x6	2x6	2x6	2x6	2x6	2x6	2x6	2x6	2x6	2x6	2x6	2x6	2x6	2x6	2x6	2x6
	Lower frame	2x6	2x6	2x6	2x6	2x6	2x6	2x6	2x6	2x6	2x6	2x6	2x6	2x6	2x6	2x6	2x6	2x6	2x6	2x6	2x6	2x6
	Struts Diagonal	2x6	2x8	2x8	2x8	2x8	2x6	2x6	2x8	2x8	2x8	2x6	2x6	2x8	2x8	2x8	2x6	2x6	2x8	2x8	2x8	2x8
28	Upper frame	2x6	2x6	2x6	2x6	2x6	2x6	2x6	2x6	2x6	2x6	2x6	2x6	2x6	2x6	2x6	2x6	2x6	2x6	2x6	2x6	2x6
	Lower frame	2x6	2x6	2x6	2x6	2x6	2x6	2x6	2x6	2x6	2x6	2x6	2x6	2x6	2x6	2x6	2x6	2x6	2x6	2x6	2x6	2x6
	Struts Diagonal	2x6	2x8	2x8	2x8	2x8	2x6	2x6	2x8	2x8	2x8	2x6	2x6	2x8	2x8	2x8	2x6	2x6	2x8	2x8	2x8	2x8
32	Upper frame	2x6	2x6	2x6	2x6	2x6	2x6	2x6	2x6	2x6	2x6	2x6	2x6	2x6	2x6	2x6	2x6	2x6	2x6	2x6	2x6	2x6
	Lower frame	2x6	2x6	2x6	2x6	2x6	2x6	2x6	2x6	2x6	2x6	2x6	2x6	2x6	2x6	2x6	2x6	2x6	2x6	2x6	2x6	2x6
	Struts Diagonal	2x6	2x8	2x8	2x8	2x8	2x6	2x6	2x8	2x8	2x8	2x6	2x6	2x8	2x8	2x8	2x6	2x6	2x8	2x8	2x8	2x8

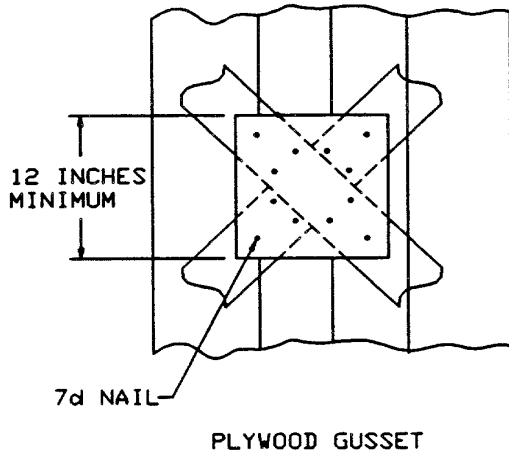
*The above sizes are for uniform loads, but also apply to concentrated loads.

Table 6-43. Panel member selection table for 30,000 lb. net load.*

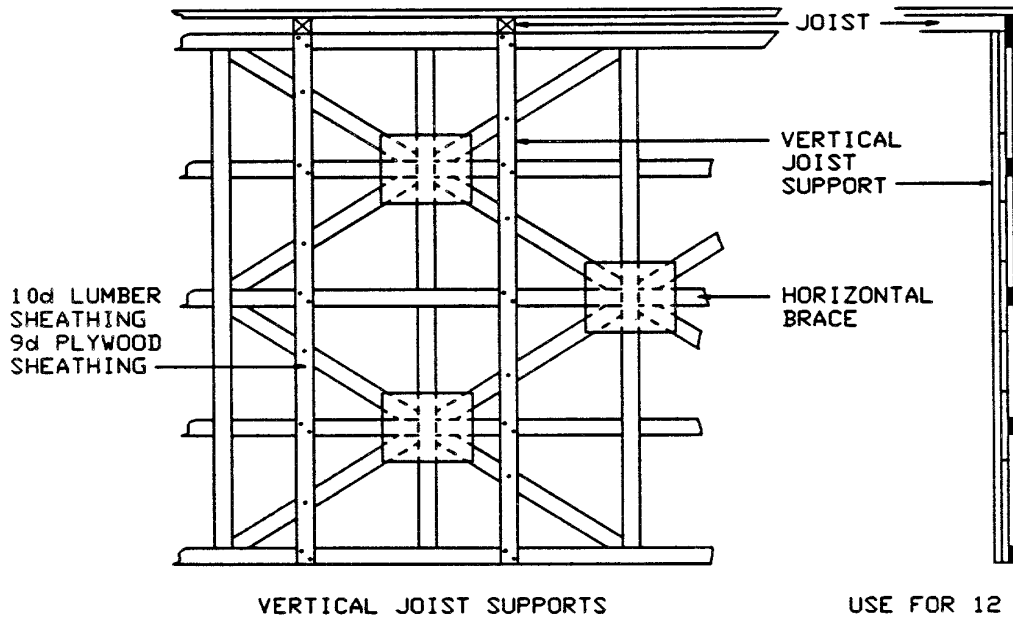
Length (ft.)	Member	4 foot width			6 foot width			8 foot width			10 foot width						
		4	6	8	10	12	4	6	8	10	12	4	6	8	10	12	
6	Upper frame	2x6	2x6		2x6	2x6	2x8										
	Lower frame																
	Struts	2x8	2x8	2x8	2x8	2x8	2x8	2x8	2x8	2x8	2x8	2x8	2x8	2x8	2x8	2x8	2x8
8	Diagonal	2x8	2x8	2x8	2x8	2x8	2x8	2x10	2x8	2x8	2x8	2x8	2x8	2x8	2x8	2x10	2x10
	Upper frame	2x6	2x6	2x6													
	Lower frame																
10	Struts	2x8	2x8	2x10	2x8	2x8	2x10	2x8	2x8	2x8	2x10	2x8	2x8	2x8	2x10	2x8	2x8
	Diagonal	2x8	2x10	2x10	2x8	2x10	2x8	2x10	2x8	2x10	2x8	2x8	2x10	2x8	2x10	2x8	2x10
	Upper frame	2x6	2x6	2x6													
12	Lower frame																
	Struts	2x8	2x8	2x10	2x8	2x8	2x10	2x8	2x8	2x10	2x8	2x8	2x10	2x8	2x8	2x10	2x8
	Diagonal	2x6	2x6	2x6													
16	Upper frame	2x6	2x6	2x6													
	Lower frame																
	Struts	2x8	2x8	2x8	2x8	2x8	2x8	2x8	2x8	2x8	2x8	2x8	2x8	2x8	2x8	2x8	2x8
20	Diagonal	2x8	2x8	2x8	2x10	2x10	2x8	2x10	2x8	2x10	2x8	2x8	2x10	2x8	2x8	2x10	2x10
	Upper frame	2x8	2x6	2x6	2x6	2x6	2x6	2x6	2x6	2x6	2x6	2x6	2x6	2x6	2x6	2x6	2x6
	Lower frame																
24	Struts	2x10	2x10	2x8	2x8	2x8	2x8	2x8	2x8	2x8	2x8	2x8	2x8	2x8	2x8	2x10	2x10
	Diagonal	2x8	2x8	2x10	2x8	2x8	2x10	2x8	2x10	2x8	2x10	2x8	2x10	2x8	2x10	2x10	2x10
	Upper frame	2x10	2x10	2x8	2x8	2x8	2x8	2x8	2x8	2x8	2x8	2x8	2x8	2x8	2x8	2x8	2x8
28	Lower frame																
	Struts	2x8	2x8	2x8	2x8	2x8	2x8	2x8	2x8	2x8	2x8	2x8	2x8	2x8	2x8	2x8	2x8
	Diagonal	2x8	2x8	2x10	2x10	2x10	2x10	2x10	2x10	2x10	2x10	2x10	2x10	2x10	2x10	2x10	2x10
32	Upper frame	2x12	2x10	2x10	2x8	2x6	2x6	2x6	2x6	2x6	2x6	2x6	2x6	2x6	2x6	2x6	2x6
	Lower frame	2x6	2x8	2x8	2x8	2x8	2x8	2x8	2x8	2x8	2x8	2x8	2x8	2x8	2x8	2x8	2x8
	Struts	2x8	2x10	2x10	2x10	2x10	2x10	2x10	2x10	2x10	2x10	2x10	2x10	2x10	2x10	2x10	2x10

*The above sizes are for uniform loads, but also apply to concentrated loads.

MIL-C-104C



1. USE 1/4 INCH PLYWOOD SHORTEST DIMENSION 12 INCHES MINIMUM.
2. USE 3 NAILS (MIN.) PER MEMBER INTERSECTION - CLINCH ON SHEATHING SIDE.
3. CENTER CORNERS ON CENTERLINE OF DIAGONALS.
4. FOR CRATES WITH 1 INCH MEMBERS AND HEIGHTS OVER 36 INCHES.

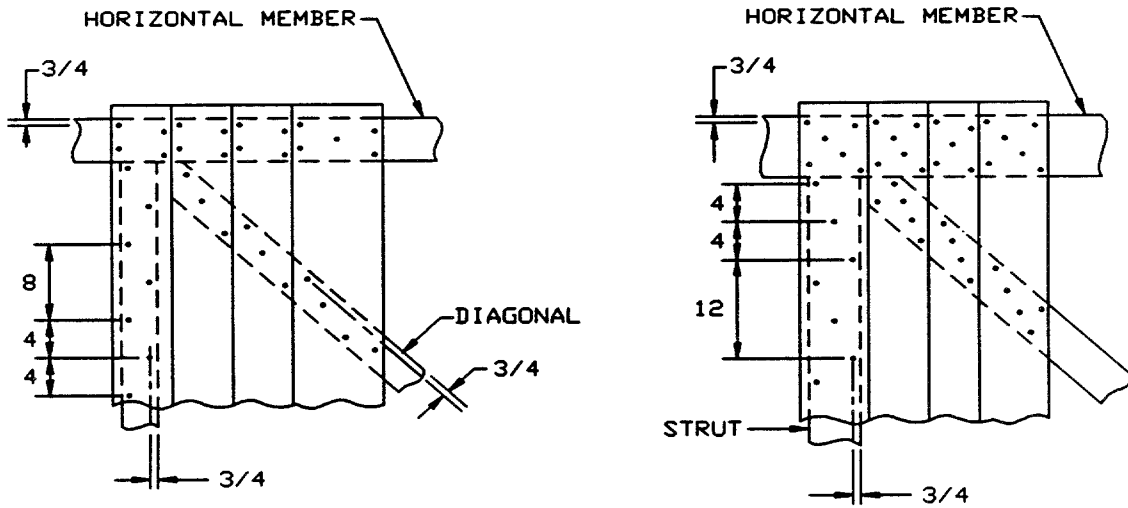


USE FOR 12 FOOT CRATE HEIGHT IN 6 FOOT WIDTH AND FOR 10 FOOT HEIGHT IN 8 FOOT WIDTH WHEN STRUTS ARE SHOWN AS 1 INCH THICK IN MEMBER SELECTION TABLES IV TO IX

SMPT 375

Figure 6-66. Joist supports and gussets (MIL-C-104).

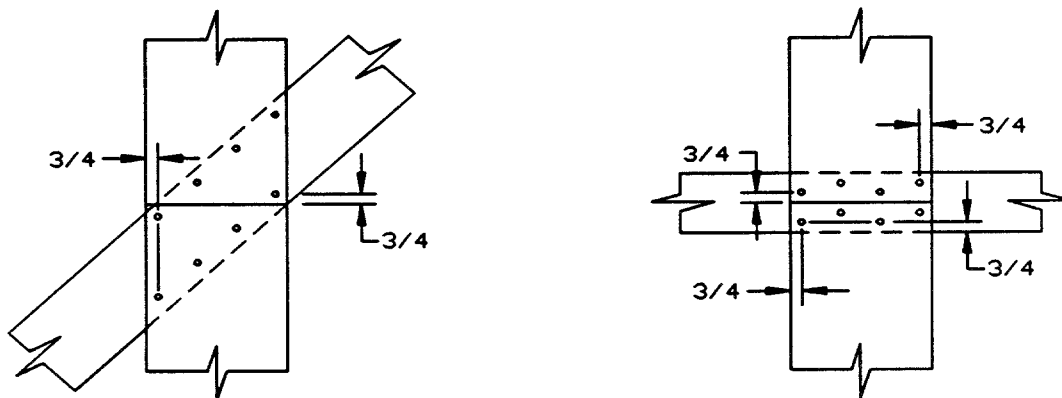
MIL-C-104C



FRAME MEMBER WIDTH

4 INCH AND 6 INCH WIDTHS

8 INCH AND WIDER



BUTT JOINTS OF SHEATHING

AT DIAGONAL

3 NAILS - 1 X 4 - 1 X 6
4 NAILS - 1 X 8 AND WIDER

AT HORIZONTAL MEMBER

3 NAILS - 1 X 4 - 1 X 6
4 NAILS - 1 X 8 AND WIDER

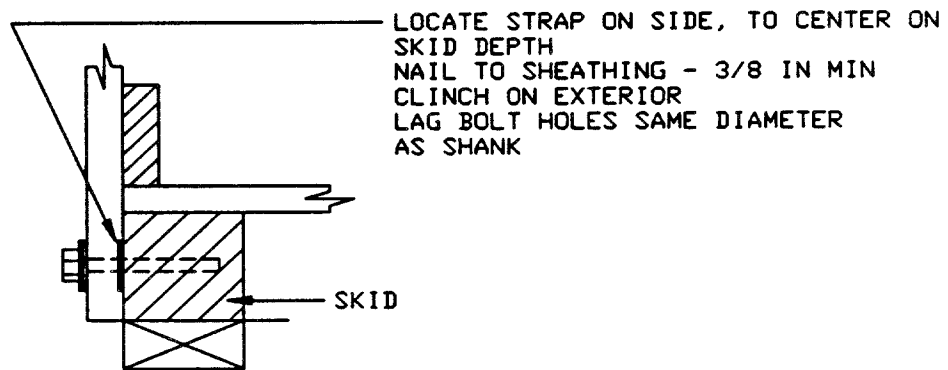
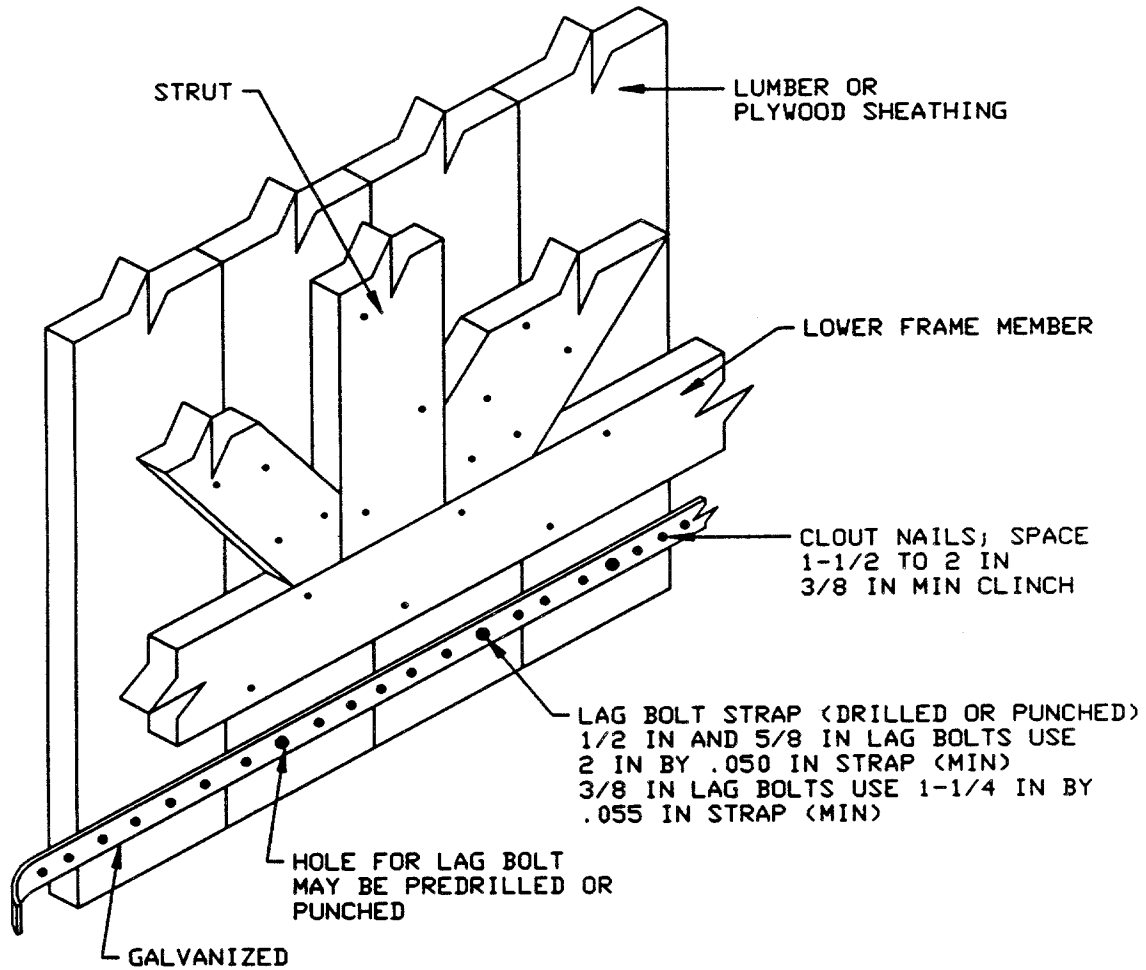
Notes:

1. All dimensions are in inches.
2. No adjacent boards shall be butt joined.

SMPT 382

Figure 6-67. Fabrication nailing of lumber sheathing (MIL-C-104).

MIL-C-104C



SMPT 383

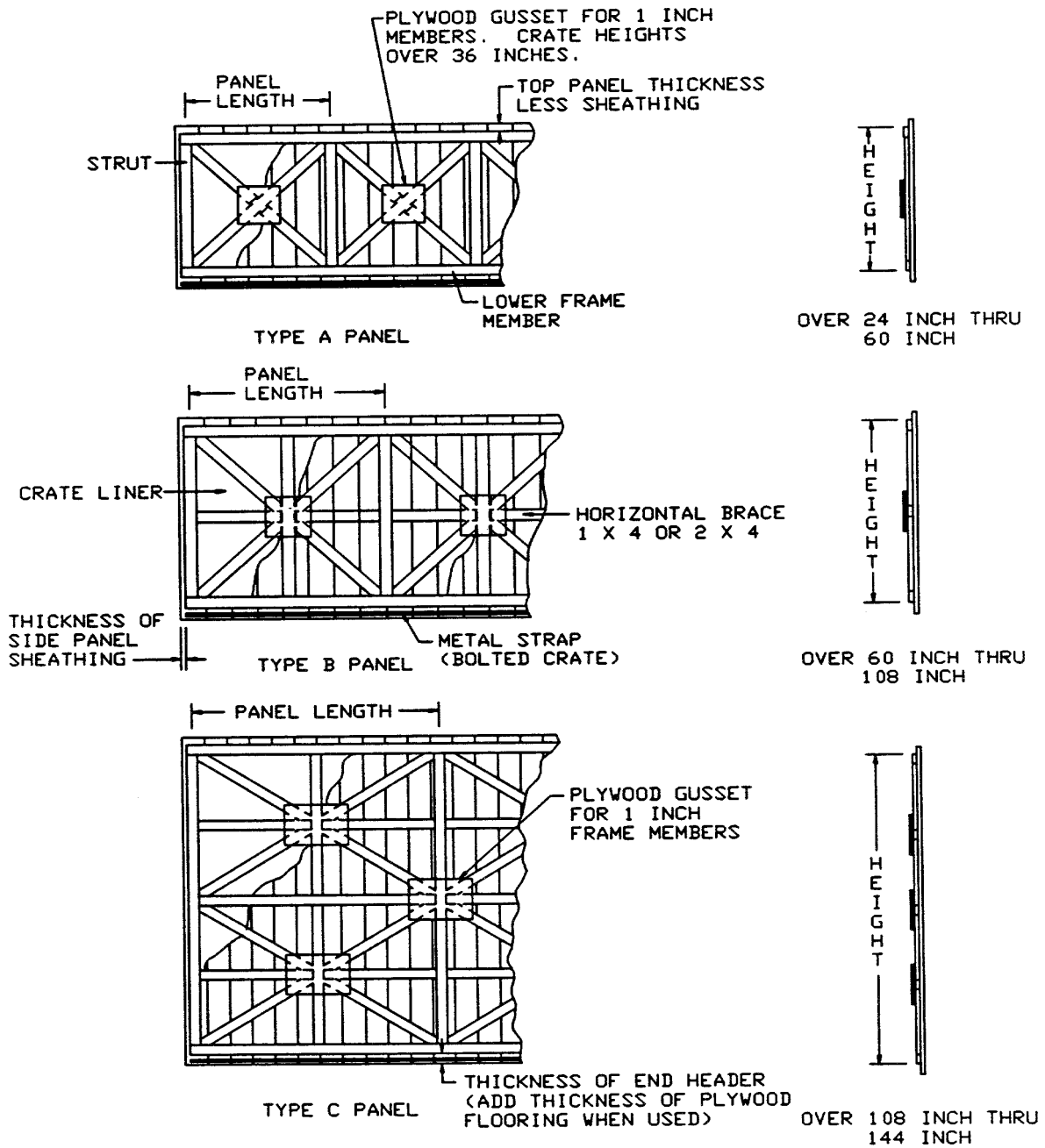
Figure 6-68. Lag screw reinforcing strap for bolted crates (MIL-C-104).

Table 6-44. Lag bolts required to assemble sides to base of bolted crates using lag bolt reinforcing strap (skids to be Group II, III, or IV woods).*

Weight of crate and contents (lb.)	Size of lag bolt		
	3/8 x 3-inch (3x3 or 3x4 inch skids)	1/2 x 4-inch (4 x 4 inch skids)	5/8 x 4-inch (4 x 6 inch skids)
2,000	6	6	6
3,000	10	6	6
4,000	14	8	6
6,000	20	12	8
8,000	...	16	10
10,000	...	18	12
12,000	...	22	14
14,000	...	26	16
16,000	...	30	18
18,000	...	32	22
20,000	...	36	24
24,000	28
28,000	32
32,000	36
36,000	42
40,000	46

* Use one-half the number on each side:
 Maximum spacing - 3/8 x 3 - 16 inches on center
 1/2 x 4 - 20 inches on center
 5/8 x 4 - 20 inches on center
 Minimum number - 3 per side, 2 per end

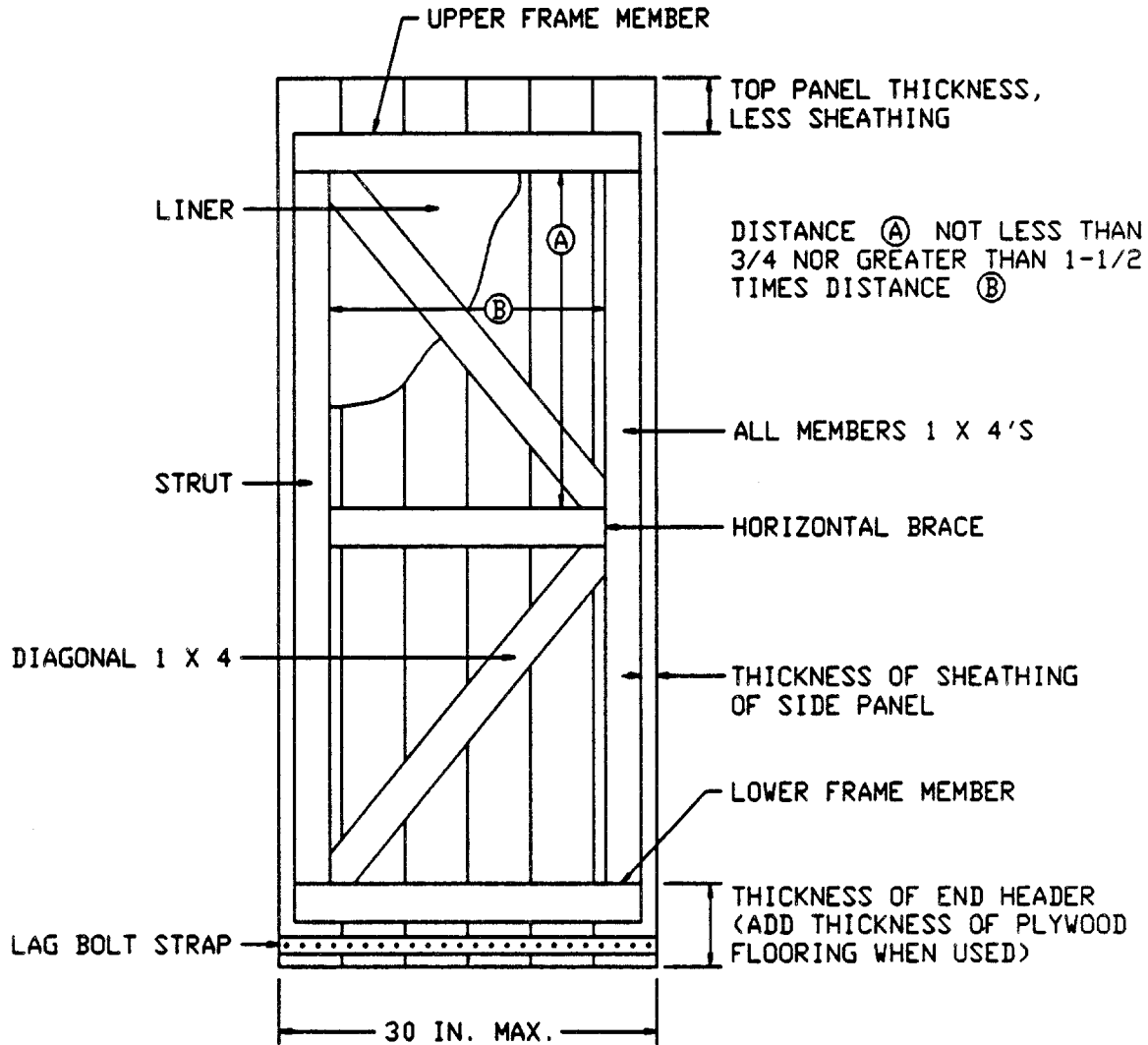
MIL-C-104C



SMPT 391

Figure 6-69. End panels over 30 inches wide lumber sheathed crates (MIL-C-104).

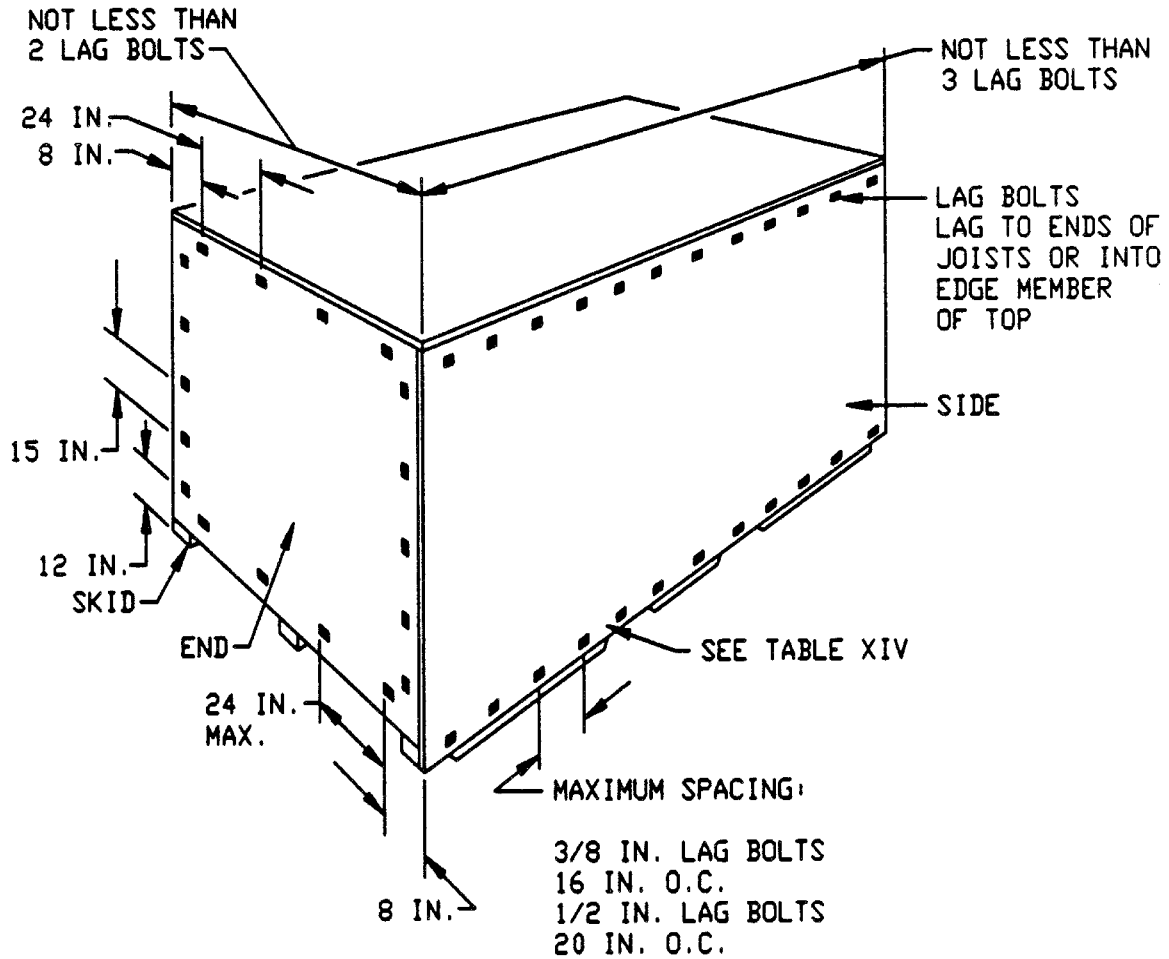
MIL-C-104C



SMPT 393

Figure 6-70. Narrow end panels (lumber sheathed crates) (MIL-C-104).

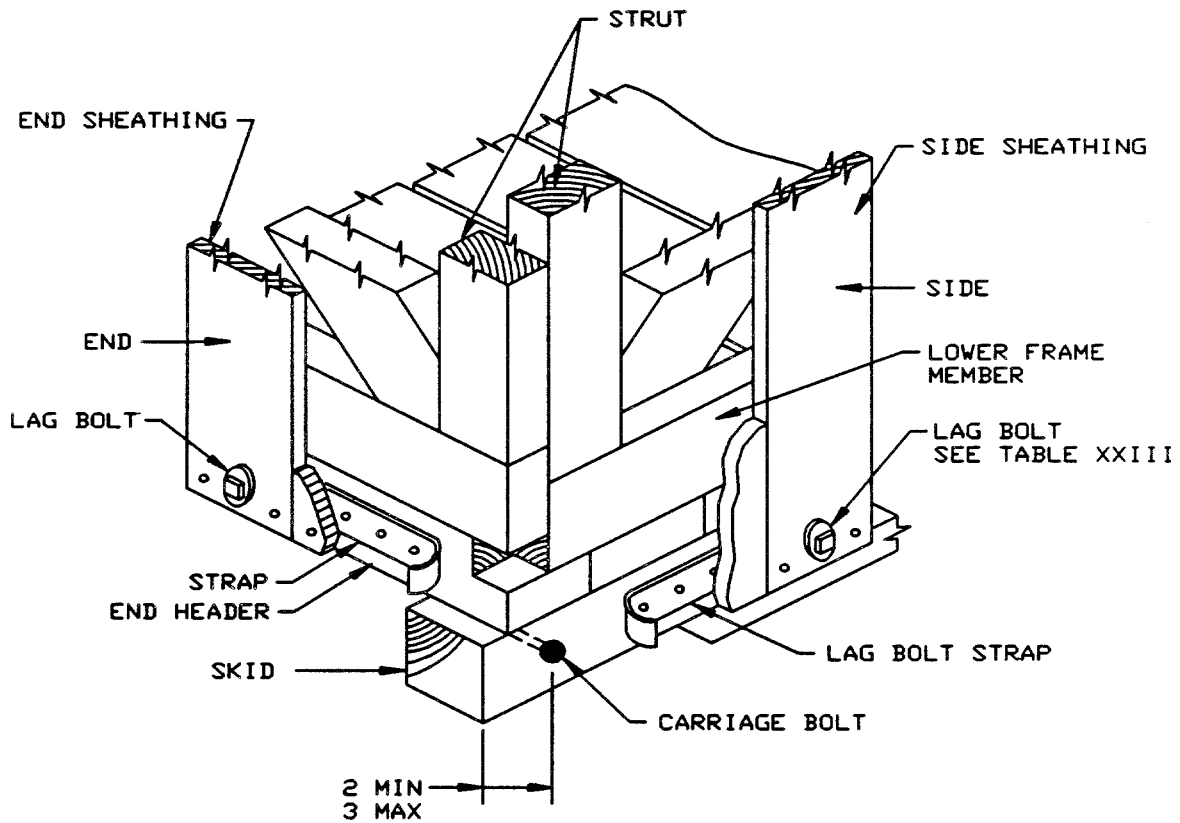
MIL-C-104C



SMPT 409

Figure 6-71. Assembly of bolted crate (lumber or plywood sheathed) (MIL-C-104).

MIL-C-104C



VIEW OF LOWER CORNER

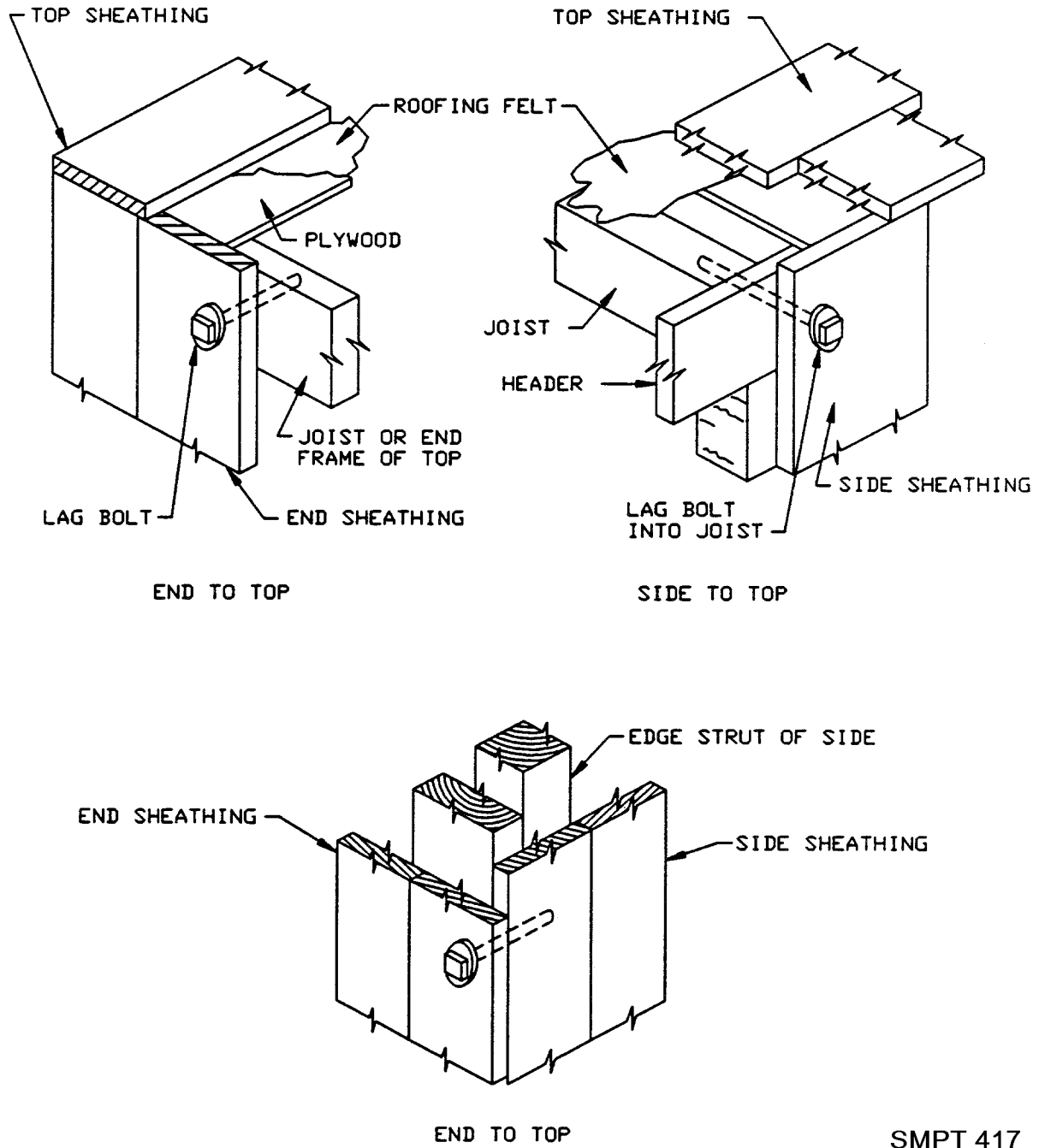
Note:

1. Dimensions are in inches.

SMPT 413

Figure 6-72. Assembly of bolted crate (MIL-C-104).

MIL-C-104C



SMPT 417

Figure 6-73. Assembly of bolted crate (MIL-C-104).

NAILED CRATE

General

Type I crates shall be assembled with nails and metal straps. General rules for crate assembly shall be as shown in table 6-45 and figures 6-74 and 6-75.

Fastening Sides and Ends to Base

Sides and ends shall be nailed to the skids and headers with cement-coated nails (figure 6-74). Two rows of nails shall be used for 2 by 4 inch, 3 by 3 inch, 3 by 4 inch and 4 by 4 inch skids or headers and for style b bases. The number of nails required for the perimeter of the crate shall be as shown in table 6-46, and based on the gross load. Nail spacing shall be no greater than 6 inches in each row, and not less than two nails shall be used in each sheathing board.

Fastening Ends to Sides and Sides to Ends

The end panels shall be nailed to the side panels with twentypenny cement-coated nails spaced 12 inches apart as shown in table 6-45 and figure 6-74. The nails shall pass through the sheathing and the edge struts of the ends into the edge of the corner struts of the sides. Predrilling shall be used for these nails to prevent splitting and the bit for drilling shall be approximately 75 percent of the diameter of the nail shank. The edge sheathing boards of the side panels shall be nailed to the edge struts of the ends with eightpenny cement-coated nails spaced 6 to 8 inches apart (figure 6-74).

Fastening Top to Sides and Ends

Tops shall be fastened to sides and ends with corner reinforcing straps and tensioned straps with anchor plates as shown in figure 6-75. Corner straps shall be of such length as to allow nailing into framing of sides and ends.

Strapping

Strapping shall be used as shown in figure 6-75 on all bolted crates with net loads over 3,000 lb and for all nailed crates. Tensioned metal strapping and corner straps shall conform to ASTM D 3953, Type 1 or 3, Zinc-Coated finish, Grade 2, not less than 3/4 inch wide by 0.028 inch thick. Corner strapping shall be prepunched or drilled. In addition, on crates with style b bases, corner reinforcing straps shall be applied at the bottom corners as shown in figure 6-76. Nails shall be 1-1/4 to 1-1/2 inch galvanized roofing nails. A minimum of three nails shall be used for each strap leg and strapping shall be located so that nailing is in a frame member.

CLASS 2 CRATES

Class 2 crates shall be Type I or II as specified and shall have the same use limitations as described for lumber-sheathed.

Bases

The construction of bases shall conform to bases of Class 1 crates.

Tops

The construction of tops for Class 2 crates is identical to that described for Class 1 tops.

Sides (see figures 6-77 thru 6-79)

Number and Type of Panels

Types of panels for various heights and corresponding illustrative figure number shall be as shown in table 6-47.

Type B panels include a horizontal brace and Type C panels have two horizontal braces. These shall be located so as to equally divide the space between upper and lower frame members. For all types of side panels, struts shall be spaced 24 inches on centers except at one or both ends so that 48 inch-wide plywood can be utilized with a minimum of waste. Sides shall be constructed as shown in figures 6-80 to 6-81. In crates with Style b bases, the sheathing of sides and ends shall reach below the horizontal frame member a distance equal to the depths of the sills.

Table 6-45. Assembly Nailing of Nailed Crate (MIL-C-104)¹

Fasten		Nail size and spacing		Notes
Part	To part	Lumber sheathing	Plywood sheathing	
Sheathing of side and end	Skid and end header (skid base)	Eightpenny minimum size 3-inch maximum spacing	Sevenpenny minimum size 3-inch maximum spacing.	See table 6-40 for number of nails required Predrill holes for twenty penny nails, 75 percent of shank diameter
	End and side sills (sill base)	Two rows up to 4 x 4 skids Three rows for 4 x 6 skid (on edge) Three rows for all sill bases	Two rows up to 4 x 4 skids Three rows for 4 x 6 skid (on edge) Three rows for all sill bases	
Corner strut of end	Corner strut of side	Twentypenny-predrill 12-inch spacing	Twelvepenny 12 inch spacing	
Sheathing of side	Corner strut of end	Eightpenny minimum size 6- to 8-inch spacing	Sevenpenny minimum size 6- to 8-inch spacing	

¹For fastening top to sides and ends use strapping.

Table 6-46. Number of nails per each 1,000 pound gross load (nailing sheathing to base around perimeter of nailed crate).*

Type of nail	Size of nail	Wood group of skid		
		II	III	IV
Sinker or cooler	7d	23	26	19
	8d or 9d	19	21	16
	10d	18	19	14
	12d	15	16	12
Corker	7d	24	26	19
	8d or 9d	17	19	14
	10d	15	16	12
	12d	15	16	12

*Nails shall not be less than 2 per board (lumber sheathing) and shall neither be more than 3 inches apart nor less than 1-1/2 inches apart.

Member Selection

The sizes of the upper and lower frame members and struts shall be determined from tables 6-34 to 6-43, except as otherwise specified. Loads referred to in the tables shall be the inside measurements of the crate. The member sizes shall be based on Groups II woods. If the exact size of the crate is not given in the tables, member sizes for the crate of the next greater length and width, and smaller height, shall be used.

Upper and Lower Frame Members

The requirements for upper and lower frame members shall comply with those described for lumber-sheathed side panels in and listed by size in tables 6-34 to 6-43.

Vertical Struts

The requirements for struts shall comply with those described for lumber-sheathed side panels and listed by sizes in table 6-34 to 6-43.

Diagonals

No diagonals are required for Class 2 crates.

Joist Supports

The joist supports shall comply with those described for class 1 side panels.

Liners

No liners are required for Class 2 crates.

Sheathing

Plywood sheathing shall be 3/8 inch thick for net loads up to 10,000 lb, and 1/2 inch of net loads over 10,000 lb, and shall be applied so that the face grain is vertical. Face grain may be horizontal for crates 4 feet or less in height. Vertical joints in plywood sheathing shall be made over the center of a strut. Horizontal joints in plywood sheathing shall not be permitted in Type C panels. All horizontal joints shall be made over the center of a horizontal brace.

Fabrication Nailing

Nailing plywood sheathing to frame members of various widths shall be as shown in figure 6-80. For all fabrication, nails shall be driven through the plywood and clinched a minimum of 1/4 inch. Staples may be used to fasten plywood sheathing to framing members.

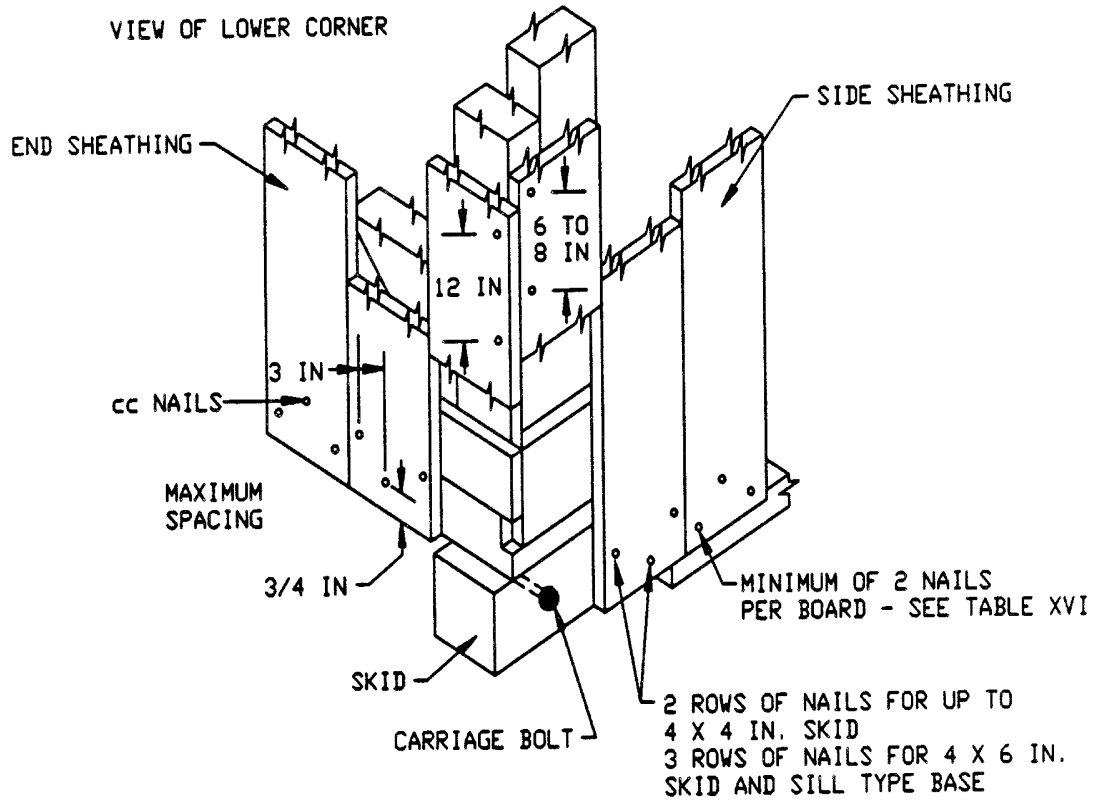
Lag-screw Reinforcing Strap for Bolted Crates

Reinforcing straps shall be used on side and end panels of all bolted crates as shown in figures 6-77 to 6-79.

Ends

Panel types and sizes of members for ends shall be determined in a manner similar to the sides, except that in all cases, the thickness of the upper and lower frame members shall be the same as the struts specified in table 6-34 to 6-43. The member arrangement shall be as shown in figure 6-81. Fabrication shall be as shown on figure 6-80.

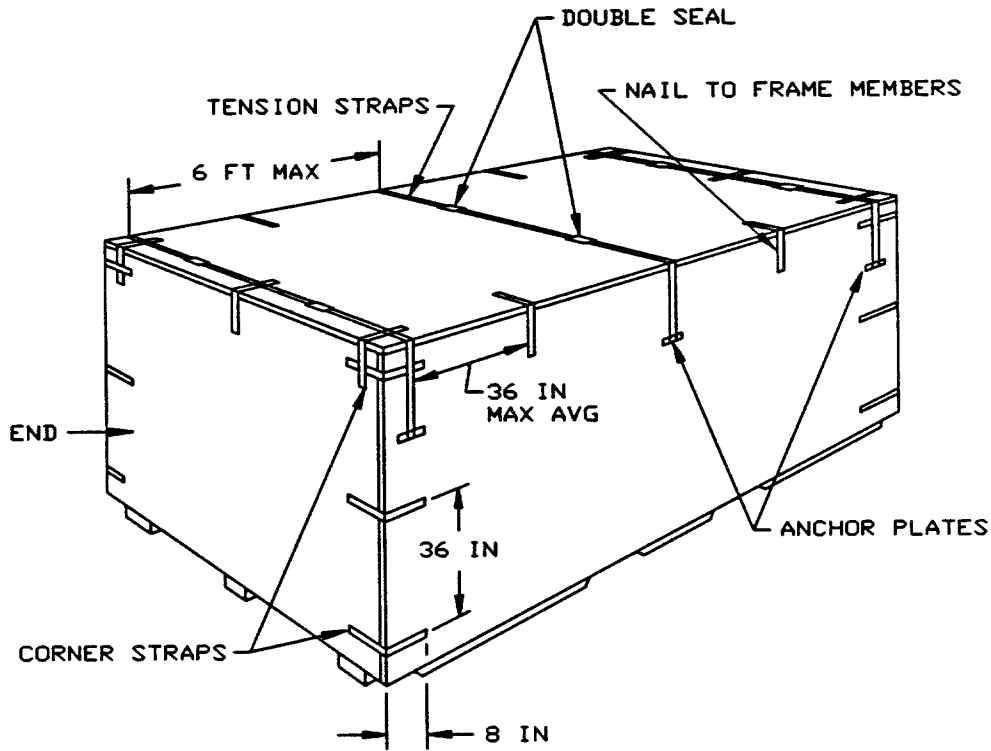
MIL-C-104C



SMPT 418

Figure 6-74. Assembly of nailed crate, lumber or plywood sheathing (MIL-C-104).

MIL-C-104C



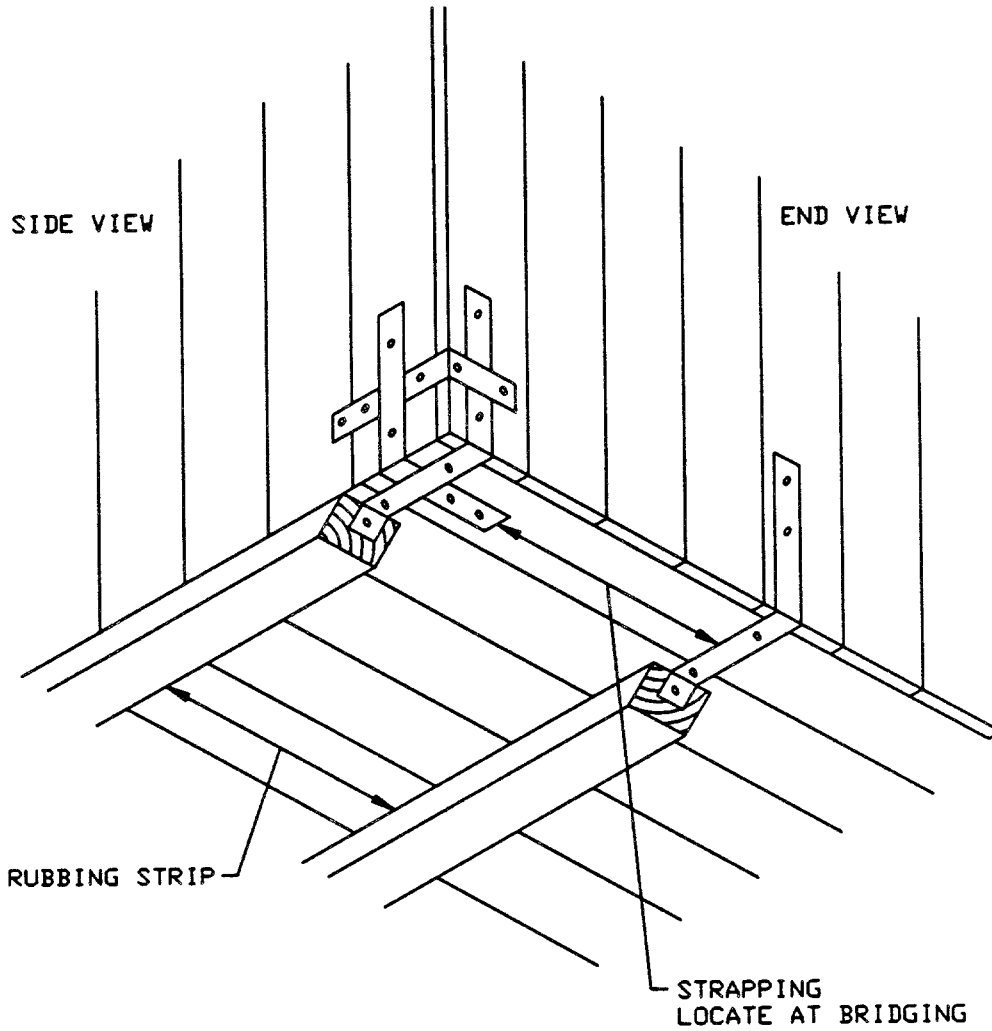
Notes:

1. Strapping required for all nailed crates.
2. For bolted crates with net loads over 3000 pounds, use corner straps only.

SMPT 434

Figure 6-75. Corner and top strapping, (lumber or plywood sheathing (MIL-C-104).

MIL-C-104C



SMPT 435

Figure 6-76. Sill base strapping (MIL-C-104).

ASSEMBLY (CLASS 2 CRATES)

Bolted-crate Assembly

The assembly of plywood-sheathed nailed crates shall comply with the details specified for Class 1 crates except for size of nails which shall be as specified in table 6-45.

Reinforcing Straps

The reinforcing straps shall be as specified for Class 1 crates.

Tolerances

A tolerance of plus or minus 1/8 inch is allowable on the overall length and width of individual completed crate panels. Out-of-square deviation of individual panels shall be not more than 3/16 inch (3/8 inch difference in diagonals).

Workmanship

Crate panels shall be clean and free of splinters and protruding fastener points. Crate panels shall be square and free of cracks, splits, or other damage which would prevent easy and correct assembly and adversely affect the performance of assembled crates.

Fire Retardant

When specified, all lumber and plywood shall be treated in accordance with MIL-L-19140. Special markings shall be used to indicate the lumber and plywood have been treated with non-leachable fire retardant materials.

CRATE, SLOTTED ANGLE, STEEL OR ALUMINUM (ASTM D6255)

DESIGN REQUIREMENTS

The slotted angle crate is designed to permit rapid fabrication of a crate through assembly of slotted angle steel or aluminum with nuts, bolts, and lockwashers and disassembly and reuse of component material.

Classification

The following classifications have been established for this crate.

Types

Type I - crate, slotted angle, steel or aluminum, open.

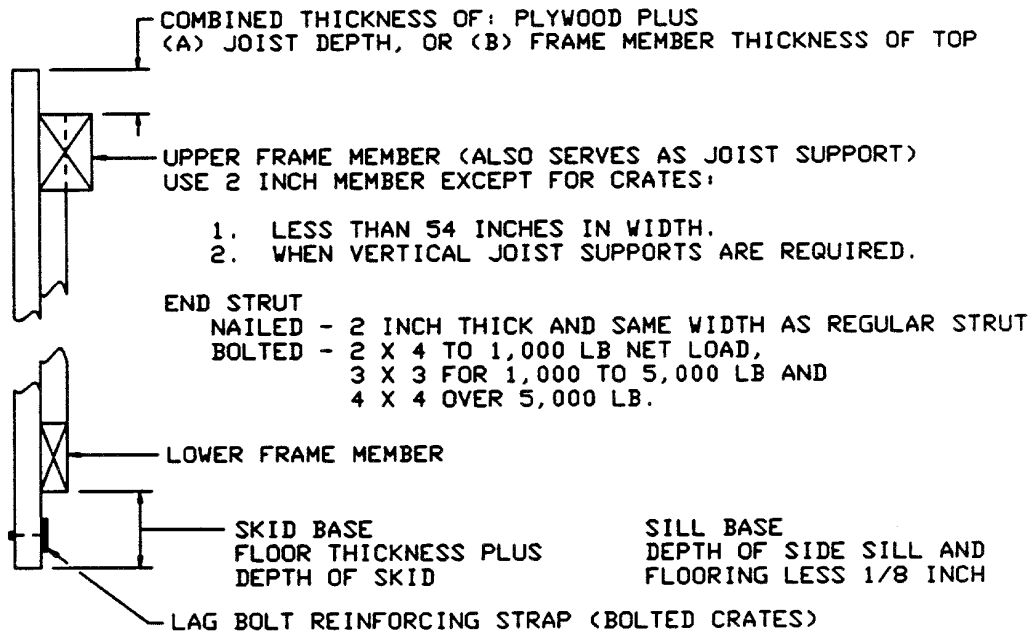
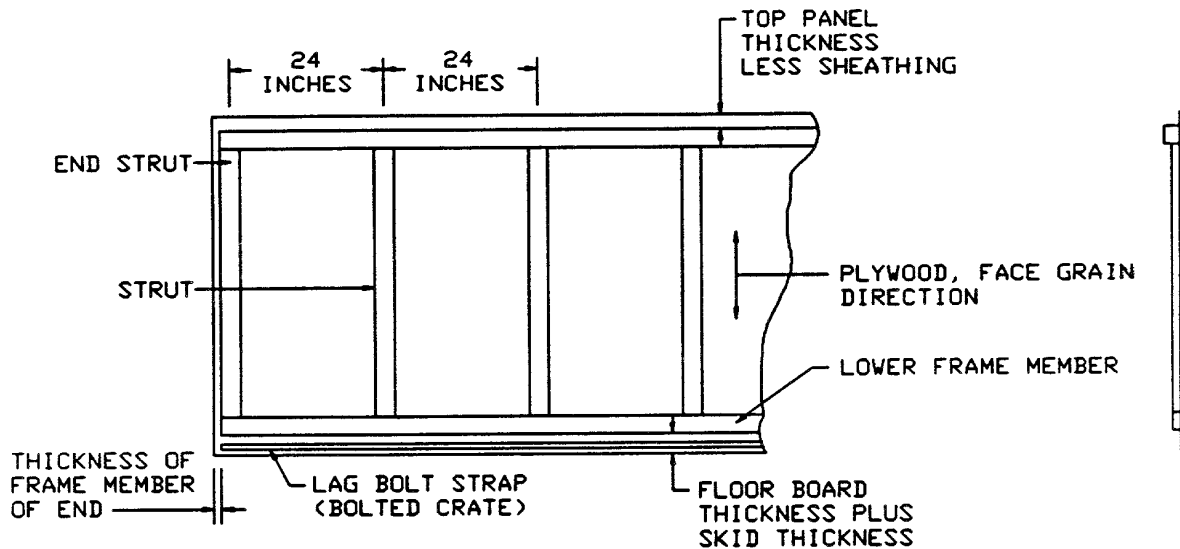
Type II - crate, slotted angle, steel or aluminum, full enclosed or sheathed with solid material.

Styles

Style A - crate, slotted, angle, steel, or aluminum, without skids or rubbing strips.

Style B - crate, slotted angle, steel, with skid blocks or skids with rubbing strips and provisions for forklift truck handling.

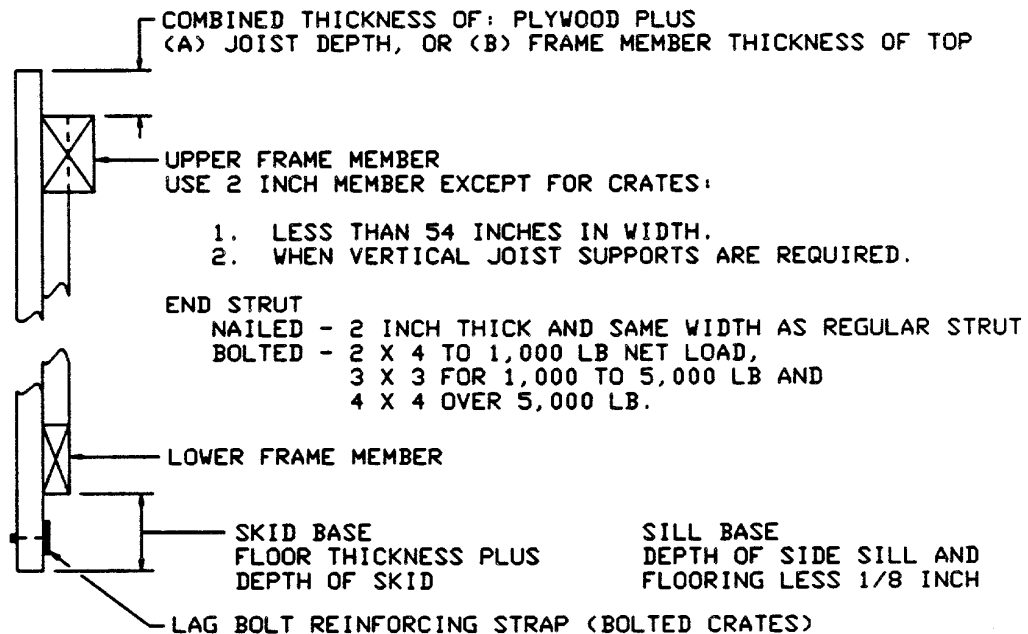
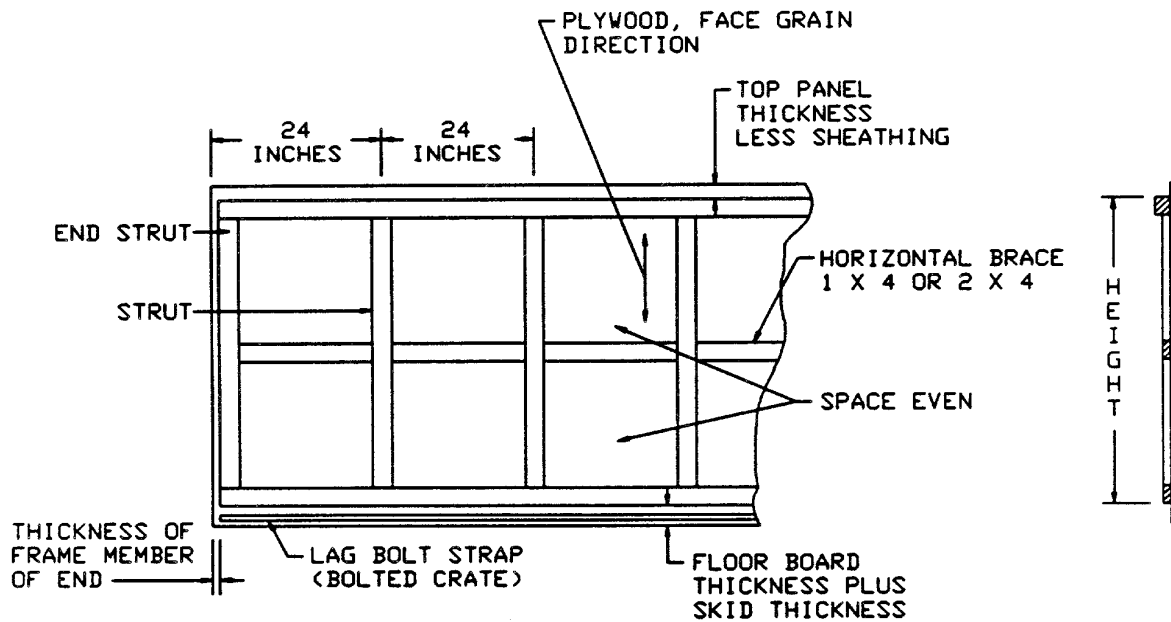
MIL-C-104C



SMPT 441

Figure 6-77. Sides - type A panel (plywood) (heights over 24 inches to 60 inches) (MIL-C-104).

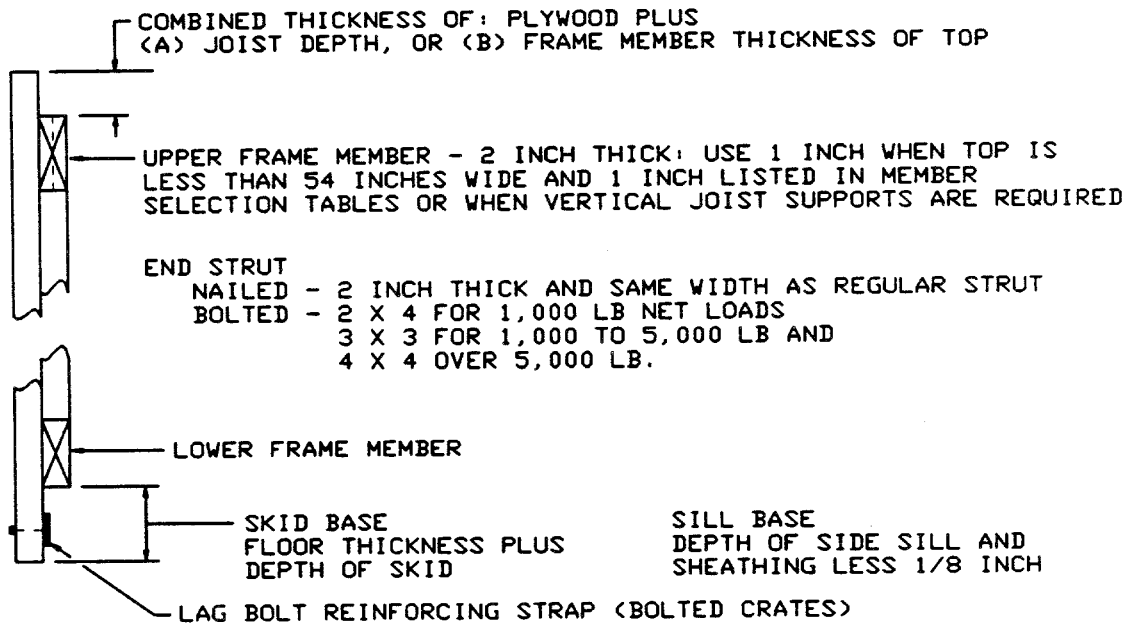
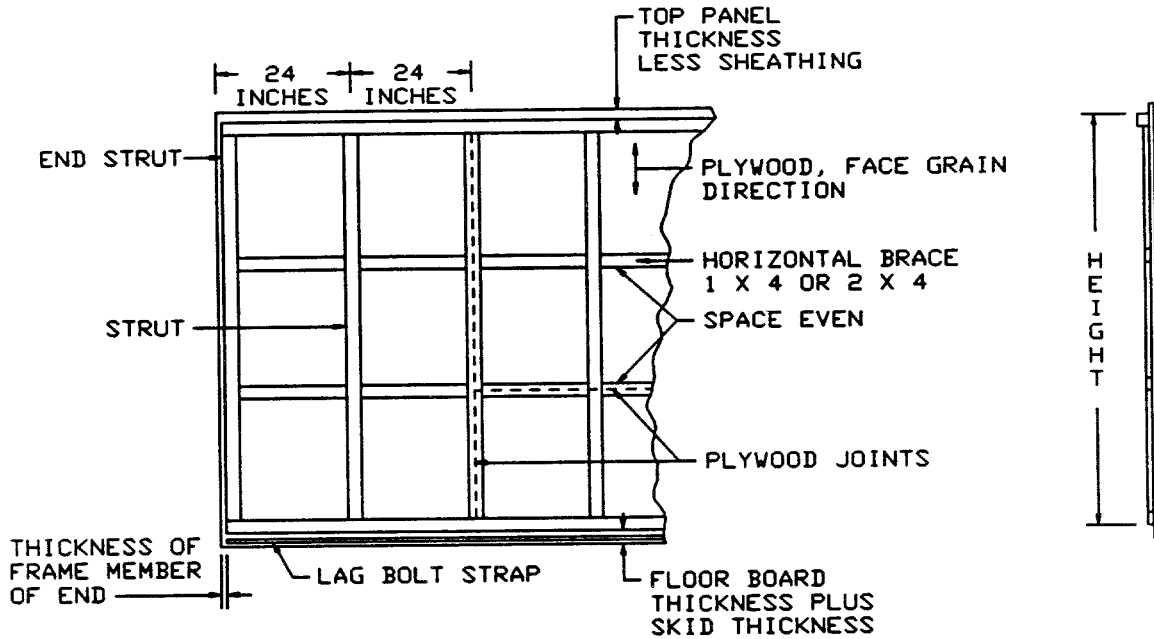
MIL-C-104C



SMPT 442

Figure 6-78. Sides - type B panel (plywood) (heights over 60 inches to 96 inches) (MIL-C-104).

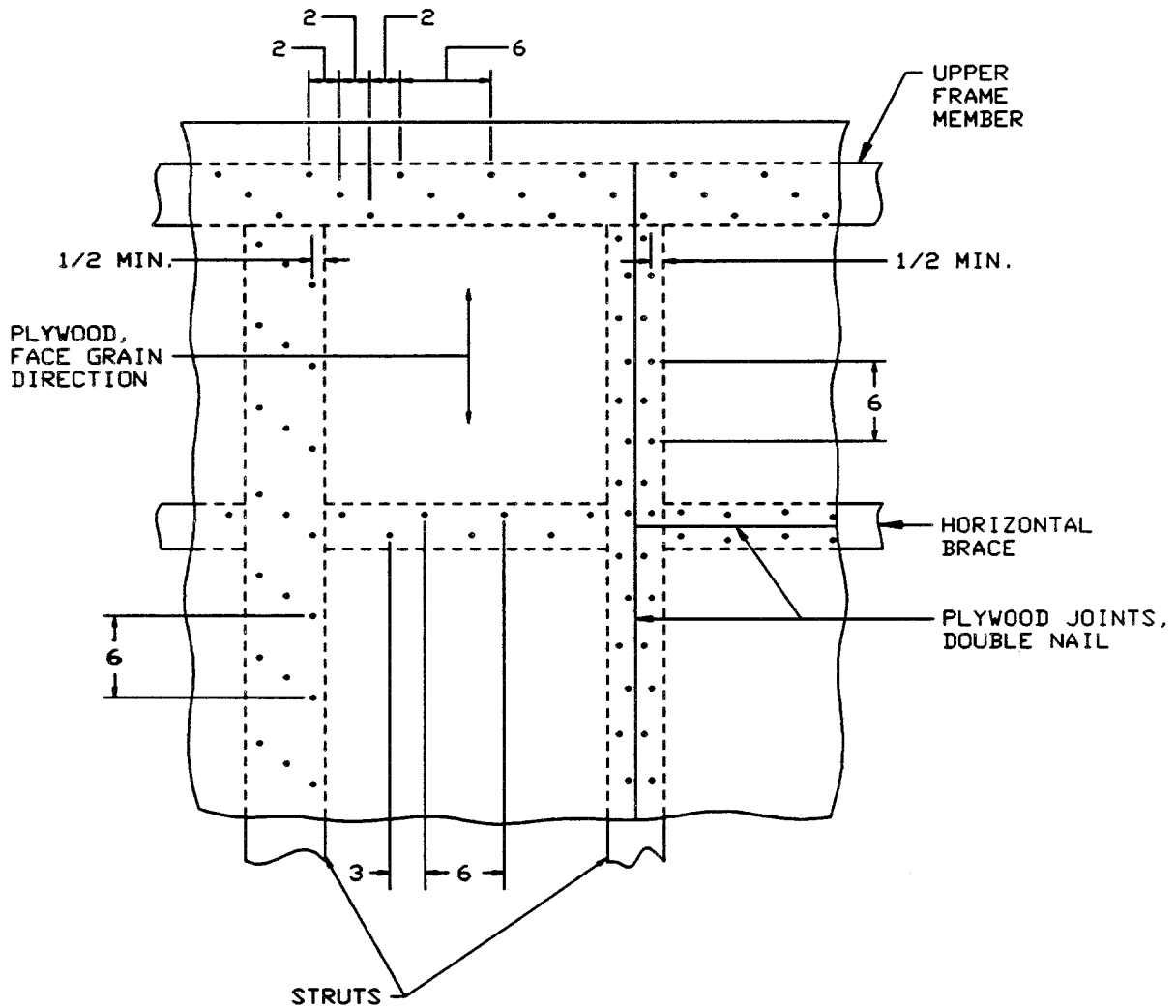
MIL-C-104C



SMPT 447

Figure 6-79. Sides - type C panel (plywood) (heights over 96 inches to 144 inches) (MIL-C-104).

MIL-C-104C



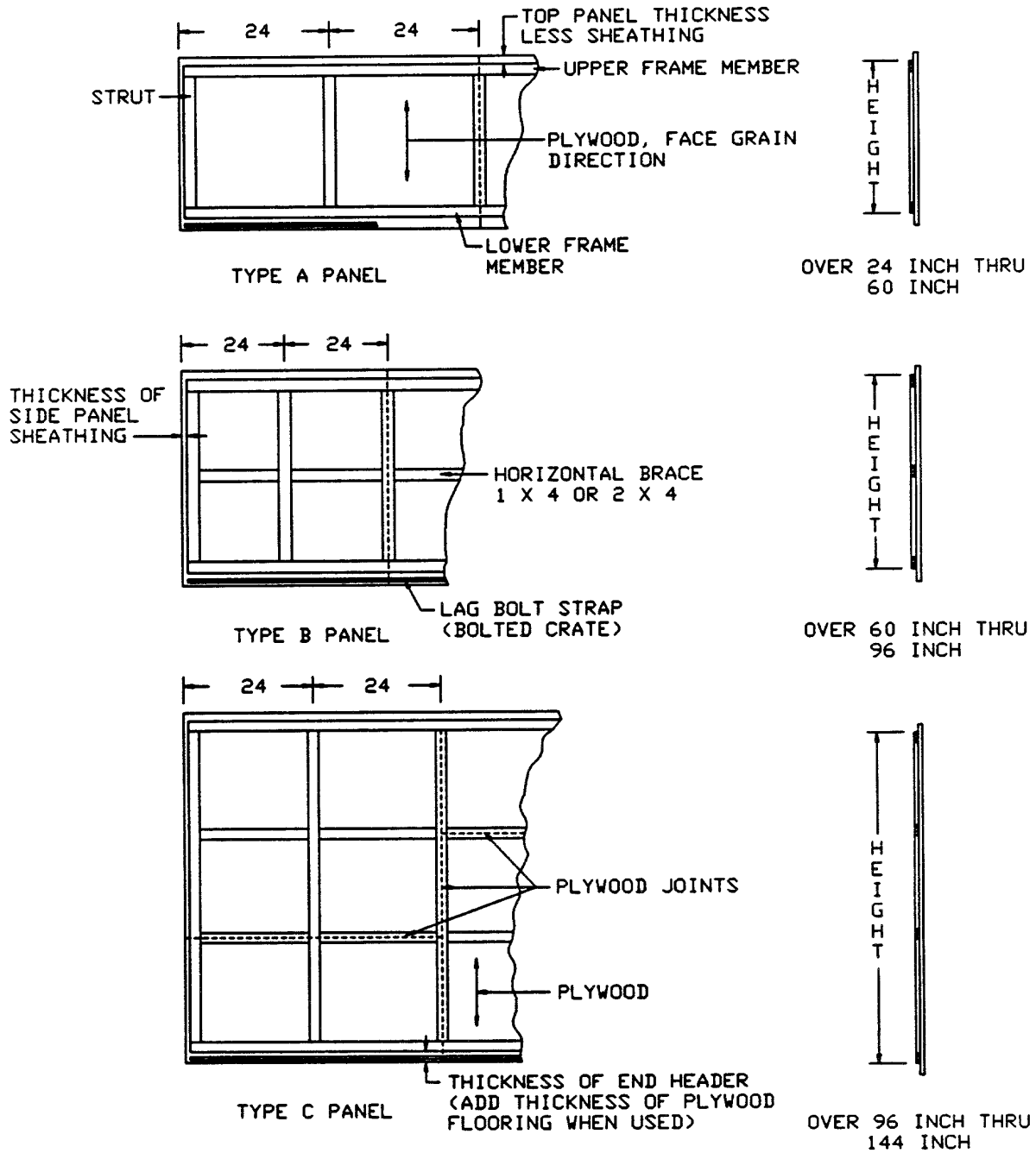
Notes:

1. All dimensions are in inches.
2. 3 rows of nails for all members over 4 inches wide.
3. 2 rows of nails for all members up to 4 inches wide.

SMPT 456

Figure 6-80. Fabrication nailing plywood sheathing (MIL-C-104).

MIL-C-104C



SMPT 464

Figure 6-81. End panels plywood sheathing crates (MIL-C-104).

Grades

Grade 1 - Crate for domestic and oversea shipments intended for outside or indeterminate storage.

Grade 2 - Crate for domestic and oversea shipments intended for inside or protected storage.

Use

These crates are suitable for:

- o Packing lightweight, bulky items, including airframe components.
- o Oversea and domestic air and surface shipments.
- o Packing items requiring rigid blocking and bracing assemblies, such as support panels, cushioned saddles, solid and slat cradles, specially designed brackets, yoke panel assemblies, etc.
- o Adaptation of suspension systems or shock mounts for shock absorption.
- o Packing repairable, returnable items where a desirable light-weight, reusable container is specified.

Materials

Slotted metal angles

This material comes in either steel or aluminum. There are three different sizes of slotted metal angles, variations being based on the size of the flanges and the thickness of the metal used in fabricating the angles. The slotted angle material shall conform to Specification MIL-S-21041, as a guide for the selection of slotted angle based on size of crate and weight of load.

Steel slotted angle material for Grade 1 crates shall have a zinc protective coating. Steel slotted angle material for Grade 2 crates shall be treated with a primer or a phosphatized base and a baked-on synthetic enamel of high grade commercial quality. The color shall be DOD Gray, unless otherwise specified, in accordance with Federal Standard 595.

The hole pattern for the 1-1/2-inch by 1-1/2-inch angle shall be of such a design as to provide one line of holes or slots in each flange. The 1-1/2-inch by 2-1/4-inch angle shall have one line of holes or slots in the narrow flange and two lines of holes or slots in the wide flange. The 1-1/2-inch by 3-inch angle shall have one line of holes or slots in the narrow flange and three lines of holes or slots in the wide flange. The hole pattern shall be of continual repetition and shall be visually indexed at 3-inch intervals.

Occasionally, it may be necessary to splice pieces. When this occurs, either the lap or butt splice may be made.

Bolts and Nuts

Bolts and nuts used in joining slotted angle frame members of the crate shall conform to Specification MIL-S-21041, except that nuts shall conform to MS51922 with the exception that 5/16 nuts shall be .551 to .564 inches across the flats.

Bolts and nuts used in attaching sheathing and wood members of the crate (and any wood blocking and bracing therein) shall be fastened to a slotted angle material with not less than two bolts on each panel edge, with additional bolts being employed, if necessary, to maintain the interval between bolts at not more

than 12 inches. When sheathing is attached to the top by nailing to a wooden strip which is secured to the slotted angle portion of the crate by bolts spaced not less than 24 inches apart, the nailing strip will be at least 1 by 2 inches and the nails will be at least sixpenny in size, spaced not more than 5 inches apart.

Ventilation

Crates completely enclosed or sheathed with plywood or paper-overlaid veneer will be ventilated. Ventilation will be accomplished by means of holes or slots in the ends or ends and sides around the perimeter of the crate. They shall be placed immediately below the top frame members of the ends and sides. When crates are over 10 feet in length, the ventilation holes or slots will be divided equally between both ends and both sides and located as near the midpoint of the sides and ends as practicable. Place baffles or shields inside the crate to deflect the water blowing into the crate, thus preventing the water from coming in contact with the contents. The following table establishes the area of the holes or slots required to provide ventilation for graduated range of volume for a crate (table 6-47).

Panels for Marking Open Crates

To provide sufficient area for placing required markings on open crates, a panel of 1/4-inch plywood will be bolted to the crate.

Specific Crates

Type 1, Style A

This crate is of simple construction, usually consisting of one panel in each section, requiring minimum bracing and used for light, bulky, and small items not exceeding 200 pounds. Either the slotted angle aluminum or the smaller slotted angle steel is usually strong enough for this crate. Unless specifically excepted, it is limited to maximum dimensions of 80 inches in width.

Table 6-47. Ventilation requirements

Area of holes or slots for ventilation	
Volume of crate in cubic feet	Cumulative area in square inches of ventilation holes or slots
0-106.....	7
106-141.....	10
141-176.....	13
176-388.....	27
388-600.....	33
600-777.....	54
777-989.....	66
989-1236.....	81
1236-and over....	101

Sides

The metal angle used for the side rails (horizontal members) should be positioned with the wider flange parallel to the plane or surface of the side. The bottom rail should be positioned so that the wide flange points up, while the top rail should have the wide flange pointing down. Vertical members (struts) should be equal in length and be positioned so that they are within horizontal rails when the crate is assembled. Vertical members should not exceed 48 inches in length and distance between vertical members (struts and intermediate struts) shall not exceed 1-1/3 the height of the crate. Where greater side strength or special mounting provisions are required along the side of the crate, extra vertical members may be added with the wide flange against the wide flange of the horizontal members (side rails) of the crate. Additional or intermediate vertical members should be added where the length-to-height ratio dictates.

Ends

The crate ends shall consist of slotted angle crossmembers joining the two crate sides. Additional crossmembers joining the two crate sides. Additional crossmembers or intermediate struts to provide mounting or attaching points within the crate for specific items may be added to crate end as required. The distance between the lateral members (crossmembers and intermediate struts) shall not exceed 1/1/3 the width of the crate.

Base

The base is not a separate panel which is bolted to the sides and ends, but is formed by the addition, as necessary, of crossmembers, (loadbearing members, flooring, and braces).

Flooring

The crate will be sufficiently floored to protect the contained item. The flooring need not be continuous throughout the base; however, it will be placed in such locations that will provide protection to the areas of the contained item that are subject to damage by forklift trucks or other material handling equipment. Plywood flooring (except loadbearing floorboards) will be a minimum of 1/4 inch thick for crates through 12 inches wide 3/8, inch for crates over 12 inches wide and through 24 inches wide, and 3/4 inch thick for crates over 24 inches wide. Flooring will be cut to fit snugly in place and securely bolted to the lower side rails of the crate. Each piece of flooring shall be bolted in place with a minimum of two bolts in each lower side rail. The distance between bolts used to secure the flooring shall not exceed 12 inches. When the flooring is 3/8 inch or less in thickness it is reinforced on top by an additional strip of wood 1 X 2, through which the holddown bolt will pass. Bolts used of securing floorboards shall not be less than 5/16 inch in diameter.

Loadbearing Members

Loadbearing members shall be located within the crate base to carry the load of the contained item, except when suspensions systems are used or when the item is attached to the side structure. The size of wood members shall be determined from table 6-48. The size of steel members shall be determined from table 6-49.

Crossmembers

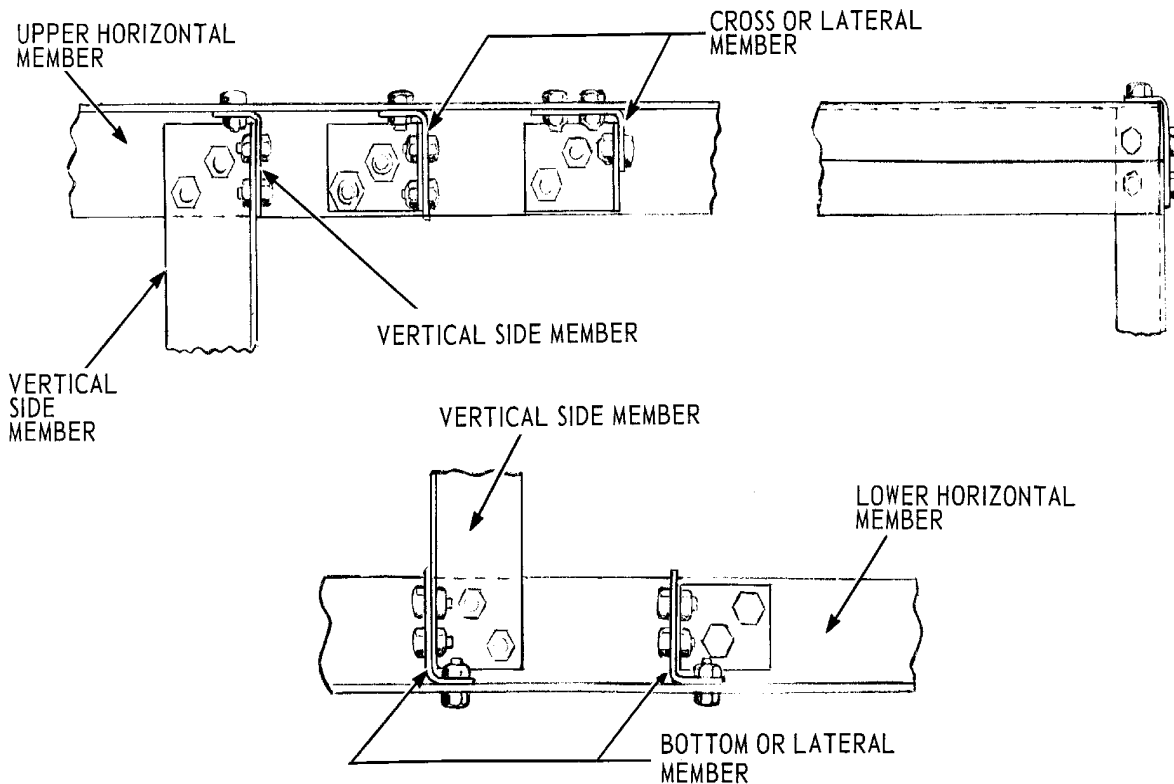
Crossmembers will be of the same strength and quality as the slotted angle used of the side rails and struts. Crossmembers in the base will be spaced not more than 24 inches apart. If loadbearing members are employed, they should be included in the considerations for base crossmembers.

Braces

The base should be reinforced with braces of the same slotted angle as the crossmembers. These braces should be used in unfloored areas of the crate. When one-third of the base is floored with 12-inch or wider floor panels, braces are not required.

Crate Top

The top, like the base, is not a separate panel which is attached to the sides and ends. It is formed by crossmembers, crossties members, and braces installed between the two crate sides. The crossmembers are placed perpendicular to the sides and are placed at each point where a vertical strut is bolted to the side rail, being bolted as shown in figure 6-82. Alternate methods of attaching members are shown in figure 6-83. The crosstie members are slotted angle members placed at intermediate points between, and parallel to, crossmembers with the distance between the crossmembers and crossties not exceeding 1-1/3 the width of the crate. Braces of the same type slotted angle material as that used for crossmembers are placed diagonally in the rectangle formed by the side rails and the crossmembers and crossties. The ends will be cut at an angle to give maximum contact of the flanges being bolted together.



SMPT 1151

Figure 6-82. Joining of Intermediate members (ASTM D6255).

Table 6-48. Allowable Load per inch of floorboard width for Groups II, III and IV woods

Distance between outside skids (inches)	Actual thickness of floorboards (inches)			
	3/4	1-1/2	2-1/2	3-1/2
	(pounds)	(pounds)	(pounds)	(pounds)
12	48	220	574	1,095
18	32	147	382	731
24	24	110	287	548
30	19	88	229	438
36	16	73	192	365
42	14	63	164	313
46	12	55	144	274
59	9	44	115	219
72	8	37	96	182

If groups III or IV woods are used, the above allowable loads may be increases 20 percent.

Table 6-49. Load capacity of slotted angle steel beams. 1/
SLOTTED ANGLE STEEL - 2.6mm - 38mm X 76mm
(12 GUAGE (0.014") - 1-1/2" x 3")

(Length of beam in cm (feet) - load in kg (pounds))

	60(2)	90(3)	120(4)	150(5)	180(6)
Recommended load	659(1450)	445(980)	336(740)	227(500)	150(350)
Recommended load	2045(4500)	1409(3100)	954(2100)	545(1200)	454(1000)
Recommended load	4727(10400)	3409(7500)	2409(5300)	1977(4350)	1590(3500)
Recommended load	704(1550)	454(1000)	345(760)	263(580)	222(490)

SLOTTED ANGLE STEEL - 1.9mm - 38mm X 57mm
(14 GUAGE (0.074") - 2-1/2" x 2-1/4")

(Length of beam in cm (feet) - load in kg (pounds))

	60(2)	90(3)	120(4)	150(5)	180(6)
Recommended load	572(1260)	386(850)	277(610)	181(400)	90(200)
Recommended load	1090(2400)	772(1700)	522(1150)	372(820)	284(625)
Recommended load	2359(5190)	1522(3350)	1227(2700)	954(2100)	772(1700)
Recommended load	363(800)	231(510)	177(390)	136(300)	113(250)

1/ Table 49 is usable for slotted angle steel with flange dimensions that are plus or minus 3mm (1/8 inch) the flange sizes stated.

Table 6-49a. Load capacity of slotted angle steel beams. 1/
 SLOTTED ANGLE STEEL - 1.9mm - 38mm X 38mm
 (14 GUAGE (0.074") - 1-1/2" x 1-1/2")
 (Length of beam in cm (feet) - load in kg (pounds))

	90(3)	120(4)	150(5)	180(6)
Recommended load	225(495)	122(270)	86(190)	65(145)
Recommended load	268(590)	179(395)	134(295)	86(190)
Recommended load	606(1335)	470(1035)	313(690)	245(540)

1/ Table 49a is usable for slotted angle steel with flange dimensions that are plus or minus 3mm (1/8 inch) the flange sizes stated.

Table 6-49b. Load capacity of slotted angle steel beams. 1/

SLOTTED ANGLE STEEL - 1.9mm - 38mm X 38mm
 (14 GUAGE (0.074") - 1-1/2" x 1-1/2")

(Length of column in cm (feet) - load in kg (pounds))

	90(3)	120(4)	150(5)	180(6)
Recommended load	672(1480)	536(1180)	427(940)	336(740)
Recommended load	1740(3830)	1579(3475)	1350(2970)	1125(2475)
Recommended load	1772(3900)	1620(3565)	1440(3170)	1190(2620)

1/ Table 49b is usable for slotted angle steel with flange dimensions that are plus or minus 3mm (1/8 inch) the flange sizes stated.

Table 6-49c. Load capacity of slotted angle steel columns. 1/(Continued)
 SLOTTED ANGLE STEEL - 1.9mm - 38mm X 57mm
 (14 GUAGE (0.074") - 1-1/2" x 2-1/4")

(Length of beam in cm (feet) - load in kg (pounds))

	90(3)	120(4)	150(5)	180(6)	210(7)
Recommended load	1131(2490)	840(1850)	695(1530)	581(1280)	427(940)
Recommended load	2500(5500)	2272(5000)	1977(4350)	1727(3800)	1522(3350)
Recommended load	2545(5600)	2450(5390)	2272(5000)	2036(4480)	1186(4150)

SLOTTED ANGLE STEEL - 2.6mm - 38mm X 76mm
(12 GUAGE (0.104") - 1-1/2" x 3")

(Length of beam in cm (feet) - load in kg (pounds))

	90(3)	120(4)	150(5)	180(6)	210(7)
Recommended load	1568(3450)	1304(2870)	1072(2360)	759(1670)	522(1150)
Recommended load	3618(7960)	3200(7040)	2836(6240)	2454(5400)	2045(4500)
Recommended load	4045(8900)	3609(7940)	3045 (6700)	2636(5800)	2113(4650)

1/ Table 6-49c is usable for slotted angle steel with flange dimensions that are plus or minus 3mm (1/8 inch) the flange sizes stated.

TABLE 6-49d. Load capacity of slotted angle aluminum configurations. 1/
SLOTTED ANGLE STEEL - 2.6mm - 38mm X 57mm

(13 GUAGE (0.089") - 1-1/2" x 2-1/4")

(Length of beam in cm (feet) - load in kg (pounds))

	90(3)	120(4)	150(5)	180(6)
Recommended load	204(450)	159(350)	118(260)	81(180)
Recommended load	431(950)	272(600)	2/181(400)	2/159(350)
Recommended load	100(2200)	727(1600)	563(1240)	427(940)

SLOTTED ANGLE STEEL - 1.9mm - 38mm X 57mm
(13 GUAGE (0.089") - 1-1/2" x 2-1/4")

(Length of beam in cm (feet) - load in kg (pounds))

	90(3)	120(4)	150(5)	180(6)	210(7)
Recommended load	454(1000)	409(900)	318(700)	272(600)	
Recommended load	1409(3100)	1240(2730)	1104(2430)	986(2170)	795(1750)
Recommended load	1590(3500)	1409(3100)	1227(2700)	1090(2400)	954(2100)

1/ Table 6-49d is usable for slotted angle aluminum with flange dimensions that are plus or minus 3mm (1/8 inch) the flange sizes stated.

2/ On spans of this length, cross bracing gives a better structure, higher recommended load.

Use of Corner Braces for Light Crates

Where crates are intended for net loads not in excess of 200 pounds and limited to the maximum dimensions of 60 inches in length, 30 inches in width, and 48 inches in height, corner bracing may be utilized in lieu of full diagonal bracing.

Type II, Style A Crate

This crate is identical to the Type I, Style A crate, except that it is fully closed or sheathed using plywood, paper-overlaid veneer, or fiberboard, as specified above. Sheathing should be added.

Type I, Style B Crate

The Style B (skidded) crate is intended for use in crating larger and/or heavier items, employing a skidded base; braced sides, ends and top; loadbearing and attaching members; and provisions for truck and cargo sling handling. Only slotted angle steel (not aluminum) will be used in fabricating this style crate.

Unless specific approval is given for a larger size crate, the maximum dimensions are 360 inches in height (see figure 6-86 for a typical crate).

Sides

Crate sides consist of horizontal members (side rails), vertical members (struts), and full diagonal braces.

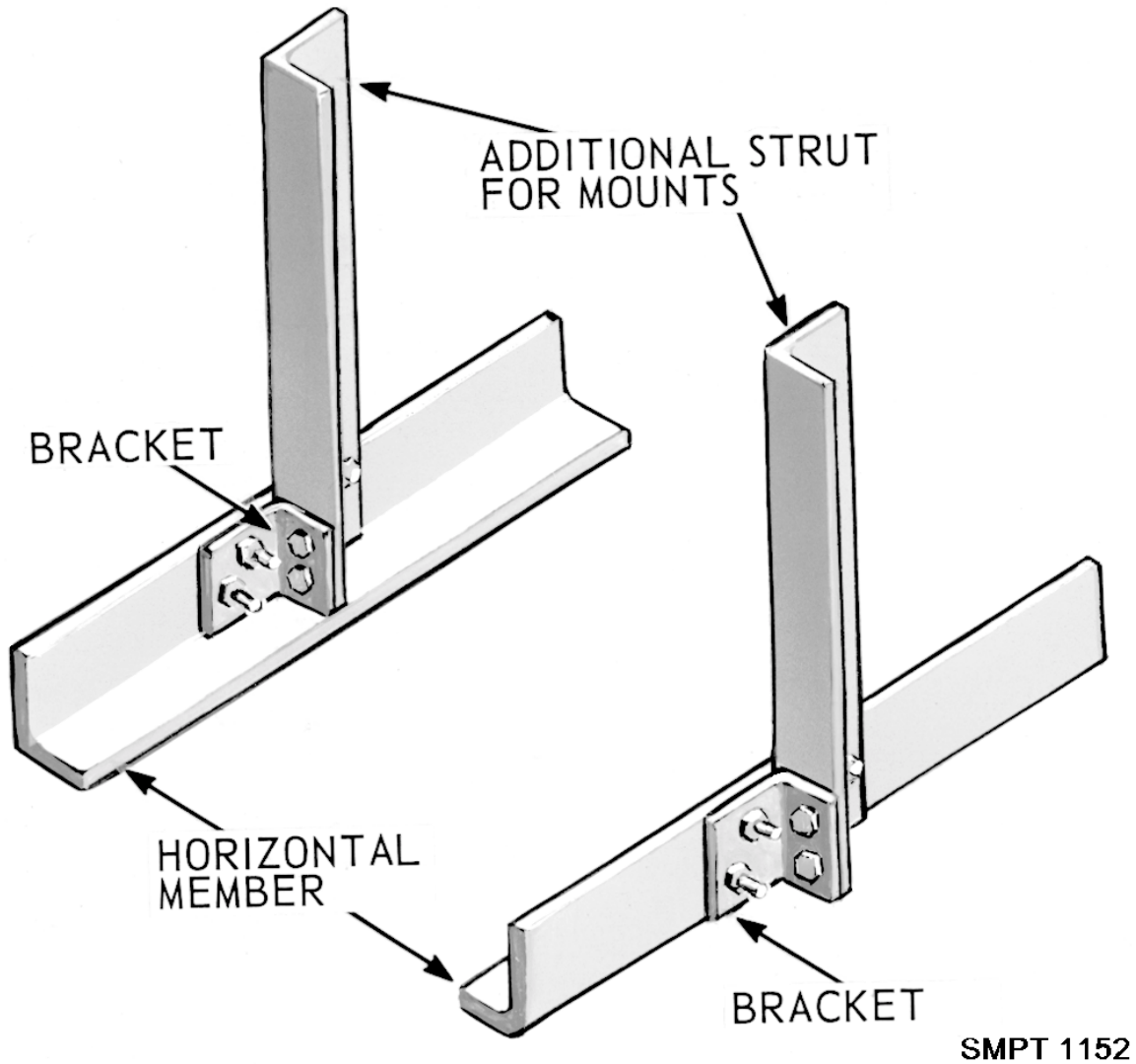
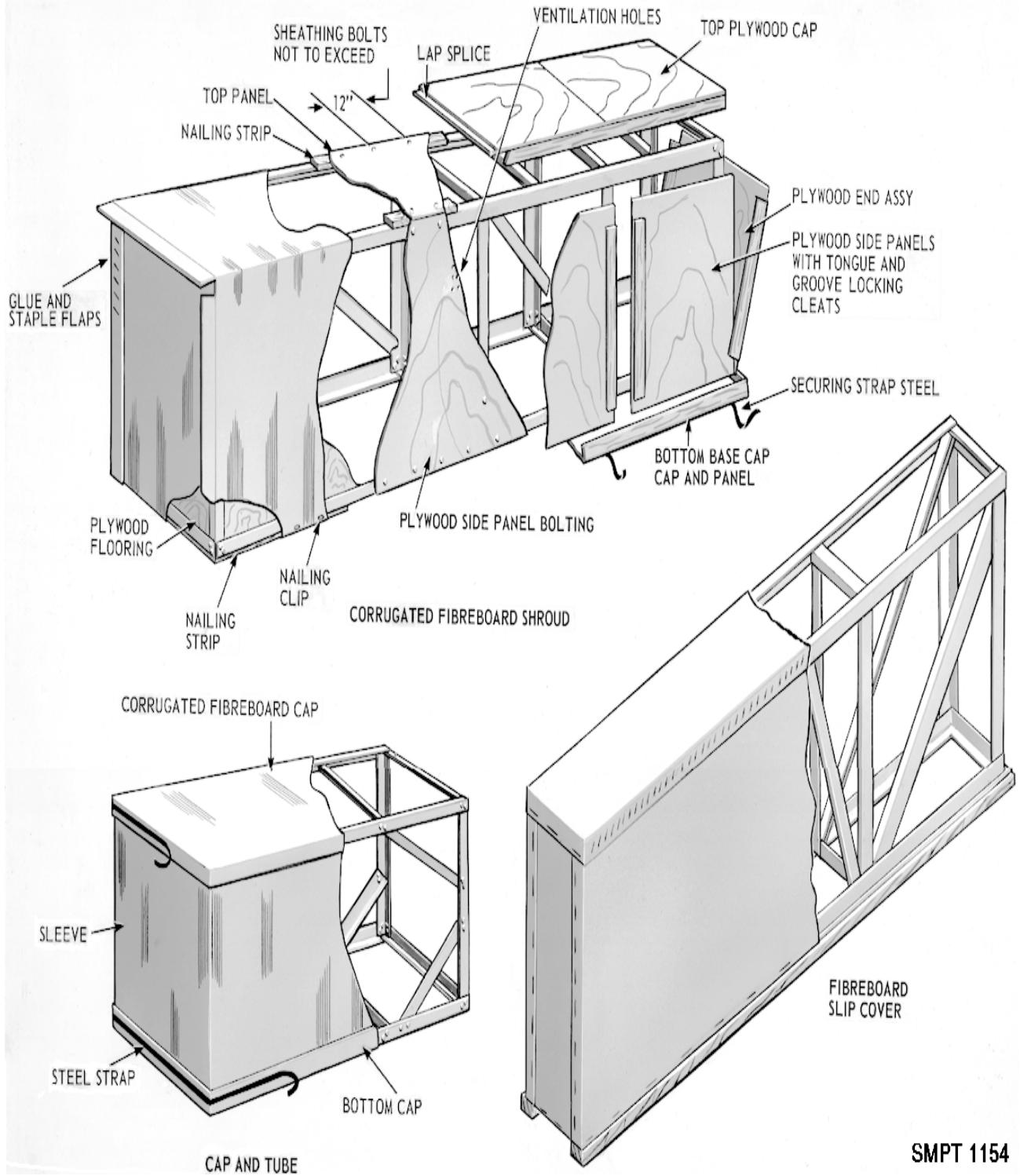


Figure 6-83. Alternate methods of attaching members (ASTM D6255).



SMPT 1154

Figure 6-84. Methods of sheathing or covering crates (ASTM D6255).

Intermediate Horizontal Members

When a crate exceeds 48 inches in height, an intermediate horizontal member should be placed between the top and bottom side rails and should run the full length of the crate. In addition to the requirement for additional intermediate horizontal members because of the height, extra strength requirements may demand additional horizontal members.

Intermediate Vertical Struts

Intermediate struts shall be evenly and systematically spaced throughout the length of the crate side between the end or corner vertical struts. The spacing of intermediate struts for crates with sides not provided with an intermediate horizontal member shall be determined by the height and length. The distance between the vertical struts shall not exceed 1-1/4 the height of the crate. The spacing of intermediate struts for crates with sides provided with intermediate horizontal member shall be determined by the same method as above, except that the height shall be considered as the distance between the two adjacent horizontal members.

Ends

The ends are not assembled panels which are bolted to the sides but are formed by the upper and lower crossmembers, intermediate crossmembers, and braces which join the sides. In addition to the upper and lower crossmembers, intermediate crossmembers are required when the height of the crate exceeds 48 inches or when the height of the crate exceeds 1-1/4 width of the crate. The maximum interval between any two adjacent crossmembers is 48 inches. Intermediate crossmembers shall be installed with the wider flange of the angle in a vertical position. Intermediate vertical members may be added to the ends for special mountings and special blocking and bracing. Bracing of the ends may be done either with slotted angle materials equal to that used for side bracing or with flat steel strapping (as above). When a crate is in excess of 60 inches long, 18 inches wide, or subject to being pushed by forklifts or other equipment, it should be equipped with push plates to protect the crate and contents (figure 6-87). The push plates are positioned across the lower part of the end panel with the lower part of plate flush with top of the skids and shall be bolted to the corner struts with a minimum of two bolts in each end of the plate. Group II, III, or IV wood or plywood may be used for crates having a gross weight up to 500 pounds. They shall be Group III or IV wood when the gross weight exceeds 500 pounds. When push plates are made from wood they shall be a minimum 1-5/8 inches thick and 7-1/2 inches wide. Plywood push plates shall be a minimum 3/4 inch thick and 12 inches wide.

Top

The top, like the ends, is formed by joining the two sides together, through the use of crossmembers, crossties, and braces of slotted angle material. The end crossmembers serve also as the top crossmembers of the ends. Additional crossmembers are bolted as shown in figure 6-84, the wider flange being vertical and the narrow flange at the top. Figure 6-84 and 6-85 show methods which may be used in sheathing or covering crates. When the distance between the crossmembers is greater than 1-1/4 times the width of the crate, intermediate crossmembers (crossties) should be used, spacing them equidistant between the crossmembers. Sufficient crossties should be used to maintain an interval not in excess of 1-1/4 times the width of the crate between any two adjacent crossmembers and/or crossties. Full diagonal braces should be used in the interval between adjacent crossmembers and/or crossties. Tension braces of steel strapping may be used in lieu of slotted angle material.

Base

Crossmembers and crossties tying the side panels together at the bottom of the crate plus required loadbearing members, forklift handling members, skid blocks, full skids, headers, and flooring comprise the base.

Skid Blocks and Full Skids

When the load contained by the crate exceeds 500 pounds, full skids running the length of the crate shall be used. Full length skids may be used for lesser contained weights, but are not mandatory. Full length skids shall be fabricated from minimum nominal 2 X 4 inch lumber for net loads up to 1,000 pounds and 4 X 4 inch lumber for net loads exceeding 1,000 pounds. They shall be provided with 2 X 4 inch rubbing strips. When full length skids are not used, 2 X 4 inch skid blocks 16 inches long are used. Skids and skid blocks shall be beveled 45 degrees on each end. Skid blocks located at the ends of the crate shall be set 2-1/2 to 4 inches from each crate end to permit the use of slings. Rubbing strips on full length skids shall be set back an equal distance from each crate end. Intermediate skid blocks shall be placed in locations that will support loads transferred to the lower side rails by loadbearing members and struts. The center of balance of the loaded crate shall be the determining factor in locating intermediate skid blocks to provide the forklift entry. The maximum distance between skid blocks shall not exceed 48 inches. Skid blocks, skids, and rubbing strips shall be bolted to the lower side rails with minimum 5/16 inch diameter bolts.

Loadbearing Members

To provide direct support to loads resting on the base, loadbearing members are used. These members may be either wood, plywood, metal, or a combination of wood and metal are placed at right angles to the length of the crate, being bolted to both of the lower side members. See tables 6-47 and 6-48 for tabulated data to be used in determining the size, etc., of material for loadbearing members.

Flooring

Flooring may be lumber or plywood and need not be continuous throughout the base; however, it shall be placed in such locations as will provide protection to the areas of the contained item that is subject to damage by forklift trucks or other material handling equipment. The flooring should be cut to fit snugly in place and should be bolted to both of the lower side each end of each piece of flooring with a minimum of two bolts to a rail. Plywood flooring shall have a minimum thickness of 3/8 inch for crates through 12 inches wide, 1/2 inch for crates 12 to 24 inches wide, and 3/4 inch for crates over 24 inches wide. Lumber flooring shall have a minimum thickness of 3/4 inch.

Forklift Handling Members

Forklift handling members of lumber or metal, the side of which is based on strength required as applied to the data shown in tables 6-47 and 6-48, will be placed 24 inches from each end of the crate and at right angles to the length, being bolted to both of the lower side rails. When the crate is in excess of 36 inches in width, forklift handling members should be placed at the location provided for side entry of forklifts and, if the crate is over 8 feet in length, they should be in addition to those placed 24 inches from the end. Loadbearing members, if suitably located, may serve as forklift handling members.

Type II, Style B Crate

Except for the sheathing, this crate is fabricated in the same manner as the Type I, Style B crate. The sheathing is accomplished in the manner described above.

Crossties and Headers

When the distance between loadbearing members exceeds the width of the crate and the flooring is less than 3/4 inch thick, intermediate crossties should be installed, being bolted to both of the flanges of both lower side rails (figure 6-82).

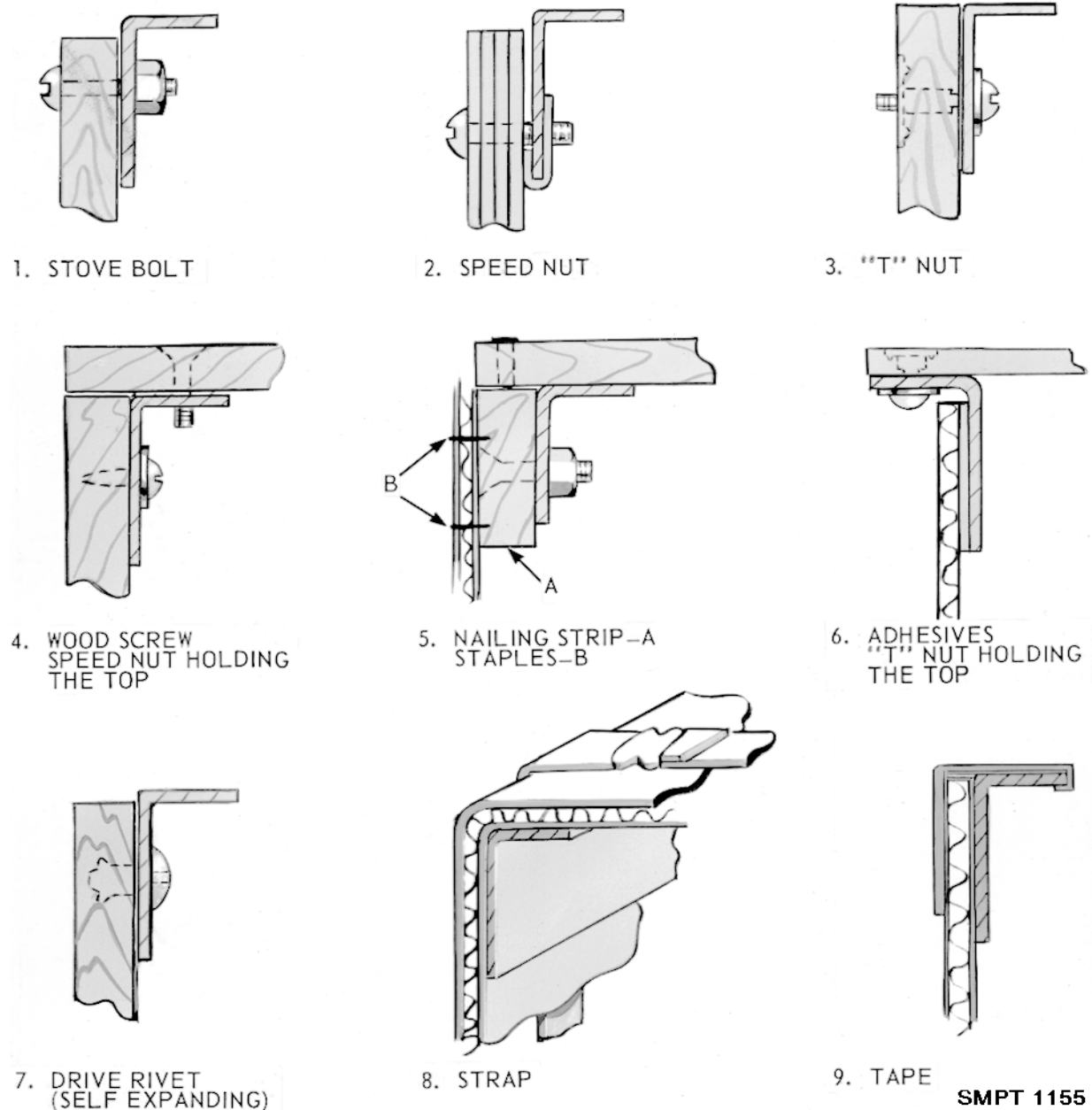
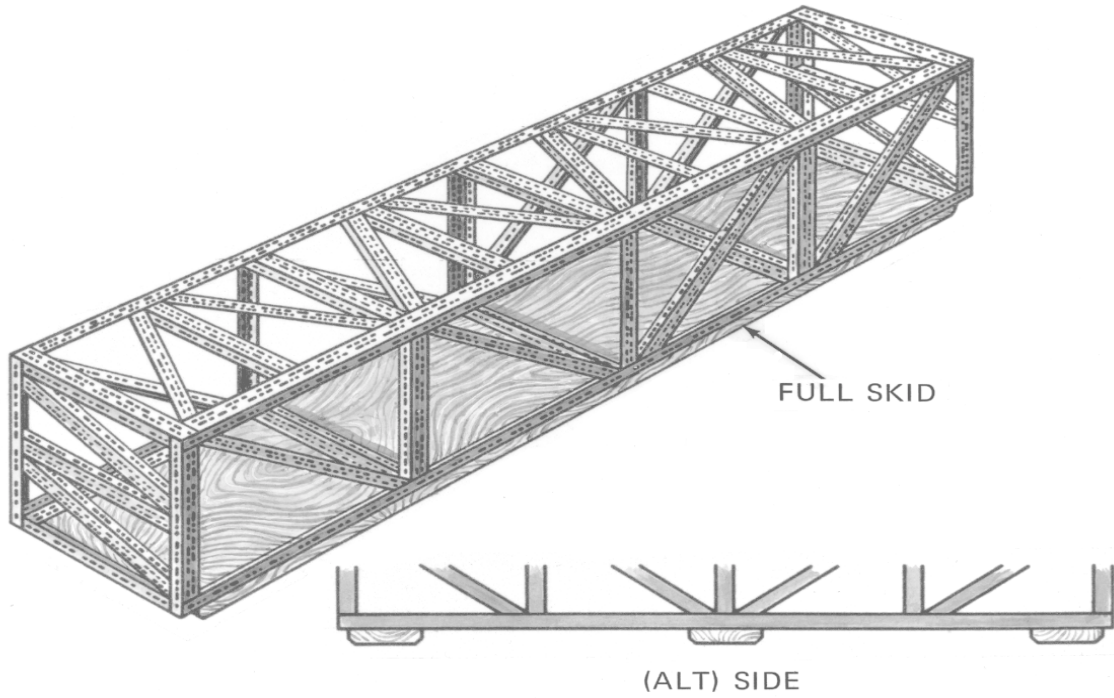
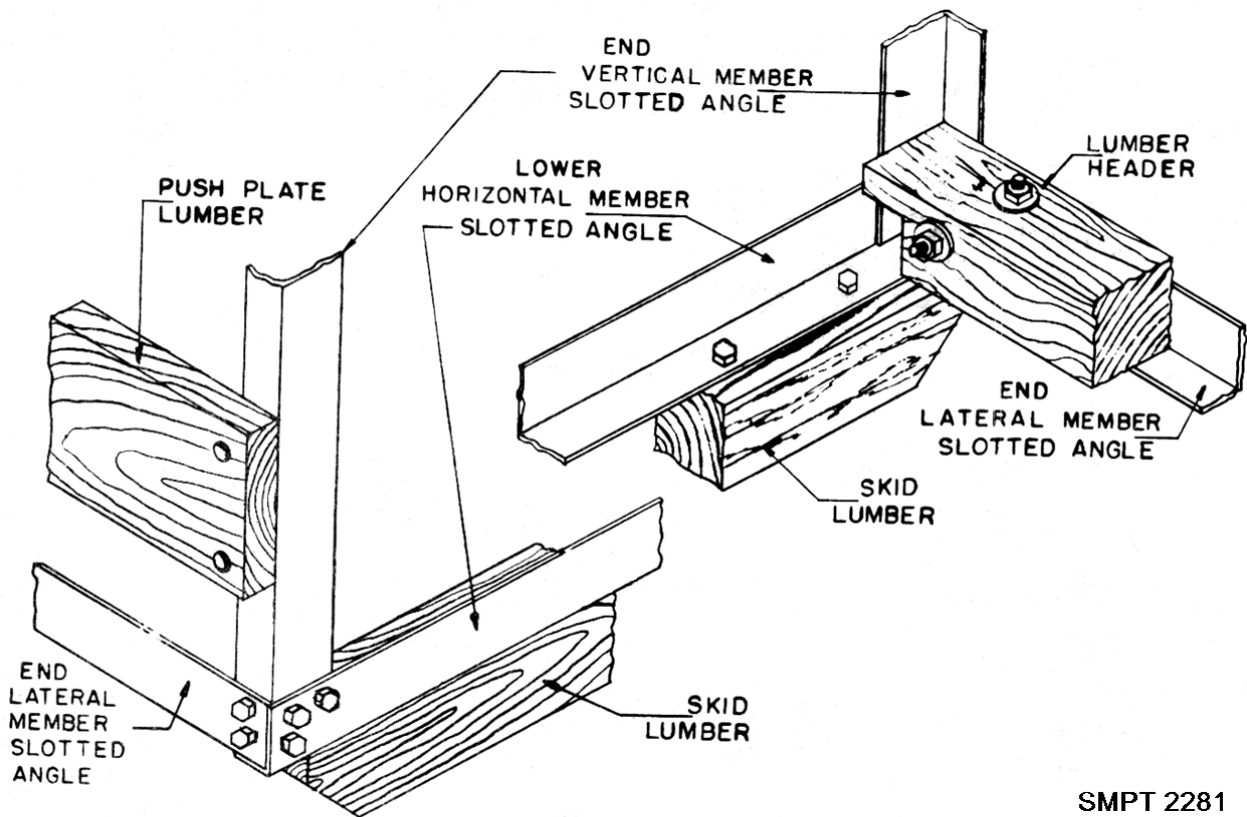


Figure 6-85. Methods of attaching sheathing (ASTM D6255).



SMPT 1938

Figure 6-86. Type I, style B crate (ASTM D6255).



SMPT 2281

Figure 6-87. Method of attaching push plates, skids, and headers (ASTM D6255).

Chapter 7

CONSOLIDATION AND UNITIZATION FOR SHIPMENT AND USE OF CARGO CONTAINERS

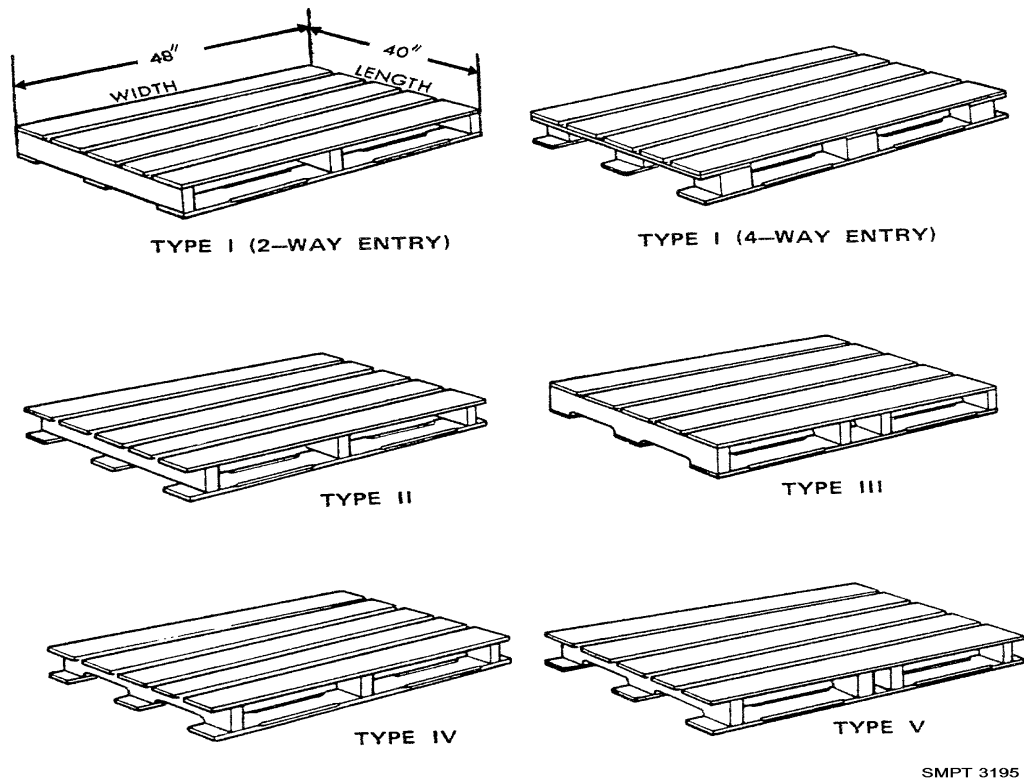
CONSOLIDATION AND UNITIZATION FOR SHIPMENT

Consolidation is the bringing together of like or unlike items for shipment. Once the items are assembled, they must be kept together as a single unit until they reach a break-bulk point or the ultimate consignee. Unitization results in economy through reduction in handling and documentation, one unit taking the place of several units.

ADVANTAGES

Figure 7-1 gives advantages of unitizing loads which are a follows:

- Eliminates laborious and expensive manual handling of individual items.
- Reduces damage to items by eliminating manual handling.
- Permits savings in handling costs.
- Reduces personnel accidents by eliminating manual handling and lifting.
- Simplifies inventorying and reduces inaccuracies.
- Utilizes storage heights not possible by manual means.



SMPT 3195

Figure 7-1. Advantages of cargo unitization.

- Reduces pilferage because of unitization of items by steel straps and other bonding methods.
- Permits faster movement of supplies and equipment. Reduces marking requirements on individual containers.

METHODS OF UNITIZATION

The two basic forms of unitization are--

- Palletization. Palletization is the placing of a number of packages on a low, portable platform constructed of wood, metal, or fiberboard, or a combination of these materials.
- Containerization. Containerization is the placement of a number of packages into a intermodal container, which not only reduces the number of units and documentation, but provides additional protection to the packages.

PALLETIZING UNIT LOADS (MIL-HDBK-774)

MIL-HDBK-774 gives the palletized unit load requirements for Department of Defense material using the pallets discussed in Chapter 3. The standard establishes loading patterns for various types of commodities, listing the pattern for stacking containers and the methods of unitizing to be used.

TYPES OF PALLETS

- NN-P-71. Types I (2-way entry), and III of NN-P-71 are intended for use in storage operations. Types IV and V of NN-P-71 are for use in storage and shipment worldwide regardless of mode of transportation.
- MIL-P-15011. Type I (4-way entry) of MIL-P-15011 should be used for the palletization of military supplies whenever 4-way entry is required in the storage and distribution system and in support of NATO forces. Nonstandard 4-way entry 40- by 48-inch pallets should be reused for the storage and shipment of materiel to CONUS consignees. (fig 7-2)

Limitations

The following size and weight limitations apply to the complete load including the pallet and the bonding and storage aids (fig 7-3).

Unless otherwise specified by the procuring activity, load units prepared for shipment in MILVANs and SEAVANs shall not exceed 40 inches in length. All other loads shall not exceed 43 inches in length, which permits an overhang of 1 1/2 inches at each end of the pallet.

Unless otherwise specified by the procuring activity, load units prepared for shipment in MILVANs and SEAVANs shall not exceed 48 inches in width. All other loads shall not exceed 52 inches in width, which permits an overhang of 2 inches at each side of the pallet.

ADVANTAGES OF CARGO UNITIZATION LOADS

ECONOMY

GREATER SPEED IN
HANDLING

DECREASED DAMAGE
TO MATERIAL

SAFETY

LESS CHANCE FOR
PILFERAGE

PROTECTS AGAINST
ENVIRONMENTAL
CONDITIONS

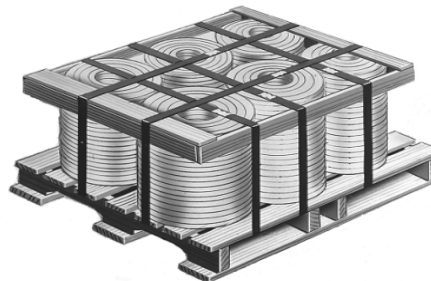
UTILIZATION OF
SPACE



TRIPLE-WALL FIBERBOARD



WAREHOUSE STORAGE



PALLETIZED LOAD
SMPT 1920A

Figure 7-2. Types of pallets.

Load units prepared for shipment in containerization media such as SEAVANs, etc. shall not exceed 43 inches in height and in MILVANs, 41 inches. All other loads shall not exceed 54 inches in height, except as permitted for loads of compressed gases in cylinders.

The maximum gross weight of a load shall not exceed 3,000 pounds per single pallet load for domestic, intercoastal, or overseas shipments.

TYPES OF PALLETIZED LOADS

Types of supplies that can be palletized are--

- Items which are identical and identified by the same stock number.
- Items uneconomical or impractical to pack.
- Rugged and durable items that require minimum physical protection.
- Boxed items uniform in size requiring additional protection.
- Items that are moved in large quantities.

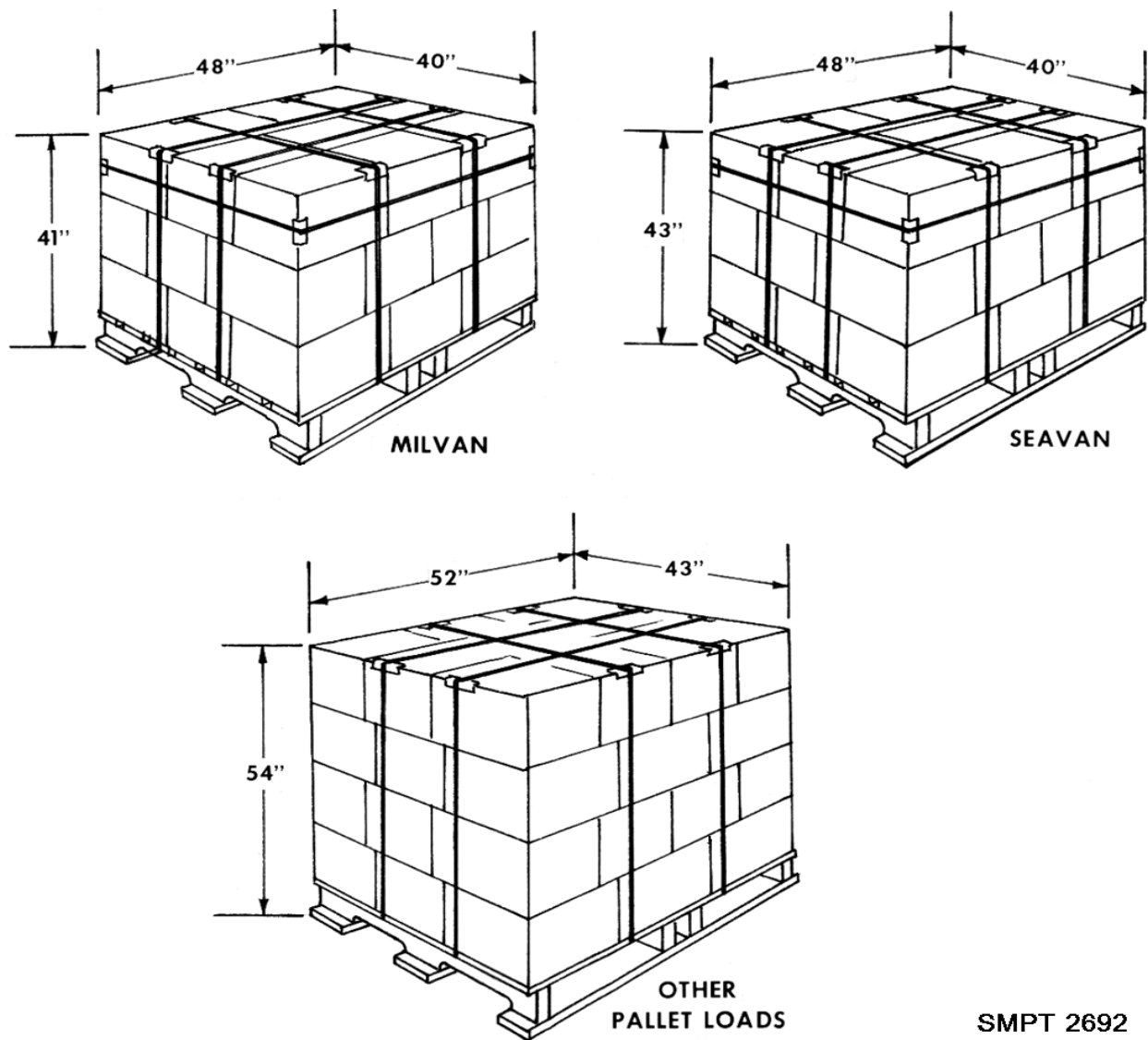


Figure 7-3. Pallet size limitations.

LOAD ARRANGEMENT

The arrangement of items to the pallet must provide a rigid, compact, uniform size load, strongly secured to prevent shifting, and capable of resisting impact, vibration, racking, and compression encountered during handling, storage, and shipment. Basic principles for arranging and securing loads to pallets are--

- Items should be interlocked, nested, or bundled whenever possible.
- The load pattern should eliminate or reduce void space.
- Wood separators or spacers are placed in voids between rows and layers of irregular-shaped items to insure a firm and stable load.

The top surface of the loading pallet must be level, or made level for stacking purposes. This can be accomplished by applying a wood top frame or leveling boards with a supporting framework.

Loads difficult to stabilize or which are compressible and not sufficiently firm to support superimposed loads, will be reinforced with a supporting framework.

Boxed items are arranged on the pallet so that the markings on individual containers do not show on two adjacent sides of the palletized load. This will provide clear areas for unit load marking.

The load is secured to the pallet, using ASTM D 3950 requirements for applying lengthwise and crosswise strapping. Horizontal strapping is the width and thickness size as the tie-down strap size. The gross weight of the load, divided by the total number of tie-down straps to be used, determines the weight which must be borne by each strap. Non-metallic strapping is not authorized for the strapping of palletized loads of wooden, plywood, or metal shipping containers.

Strapping is applied in a manner that will eliminate any possibility of slippage. Wood cleats, tie blocks, or braces are used under straps when necessary to insure stability or to bridge unsupported spans.

Loading

To properly load a pallet, consideration must be given to the type of item, its weight, and destination. It is recommended that MIL-HDBK-774 be followed when loading 40- by 48-inch pallets. Figure 7-4 shows one type of palletized load illustrated in the standard.

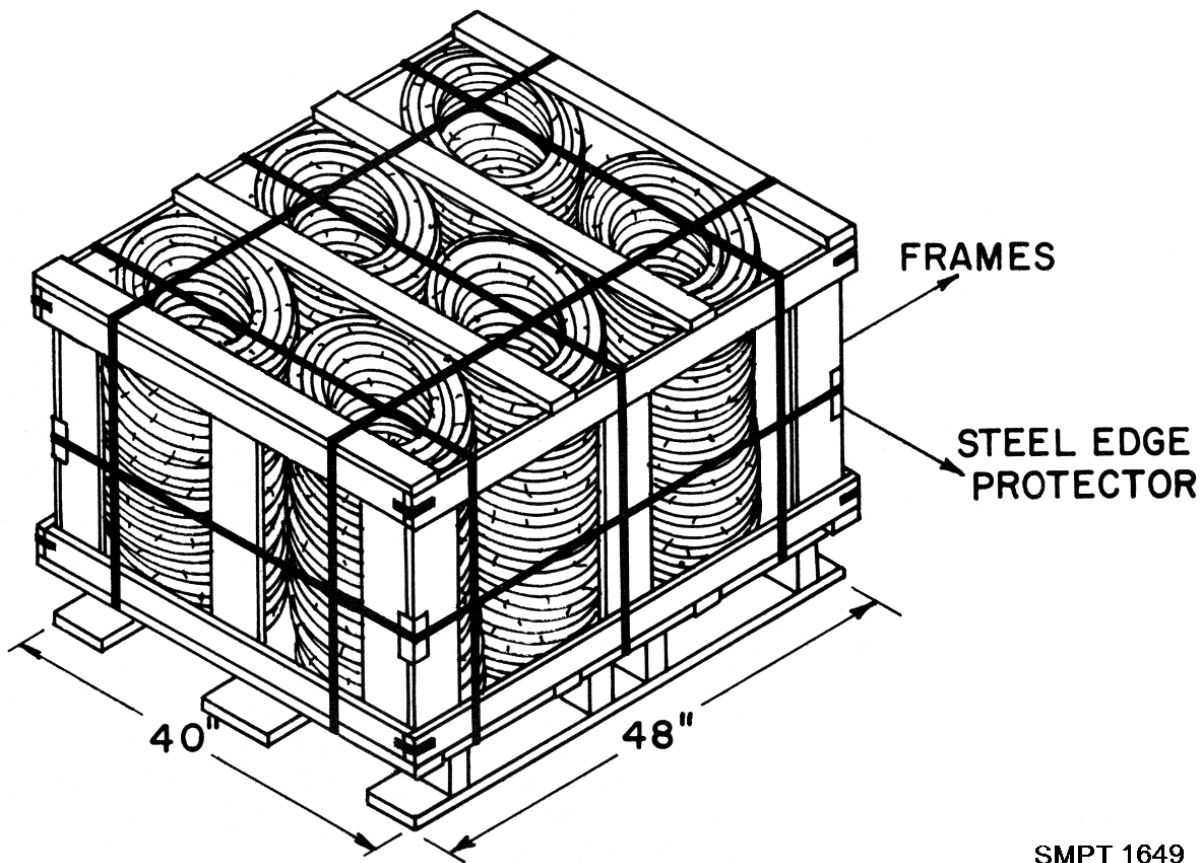


Figure 7-4. Examples of palletized load.

SHRINK FILM AND STRETCH FILM PALLETIZATION

SHRINK FILM

Plastic films such as polyethylene are now being used in accordance with the requirements of MIL-HDBK-774 as a means of bonding palletized loads. The plastic film is stretched in the manufacturing process; this is called "orientation". The stretched film shrinks when subjected to a controlled flow of heat air. The heated air is supplied by the use of a heat shrink cannon or a shrink film chamber (fig 7-5). The heat causes the film to shrink, conforming to the contour of the load. For this reason, it can be used for pallet loads containing a variety of items which form irregular shaped configurations that could not be palletized by conventional means. The tightly adhering film immobilizes the contents and provides stability. It also provides some weather protection for exposed cargo. Shrink film palletization provides a reduction of labor and material cost by the use of automatic equipment and eliminates the problem of damage caused by strapping containers too tight.

Stretch Film

Stretch films can be used as a means of bonding palletized loads for many commodities shipped in the Continental United States (CONUS) or when shipped containerized. The stretch films are polyethylene (PE), polyvinyl chloride (PVC) or ethyl vinyl acetate (EVA). The film is wrapped around the load in multiple layers from the top of the bottom deckboard to not less than two inches above the height of the load. The required thickness of the wrap is determined by the kind of film being used and the weight of the load. Additional bonding strength can be provided by placing a sheet of weather-resistant fiberboard, the same size as the top dimensions of the load, on top of the load prior to stretch wrapping.

CONSOLIDATION CONTAINERS (GENERAL)

Consolidation containers may be constructed of fiberboard, paper-overlaid veneer, plywood, or lumber. They may be demountable or non-demountable. They are usually secured to a pallet base or a skid base for handling purposes. Some containers are intended to be expendable, while others are intended to be reusable. Some consolidation containers are designed to be compatible with the requirements of the 463L Materials Handling System of the Air Force. Others are designed to be used as inserts in transporters such as MILVANS, SEAVANS, or to be used as separate shipping containers.

BOXES, SHIPPING INSERT CONSOLIDATION, MIL-B-43666 (GENERAL)

DESCRIPTION

These boxes are constructed of wood cleated plywood, plywood wirebound, double-wall fiberboard, or triple-wall fiberboard. They are mounted on pallet-type bases for ease of handling. Their construction varies widely depending upon the materials used. The sizes are such that they are modular in concept.

General Use

These boxes are intended for use as inserts in cargo transporters such as MILVANS, SEAVANS, or as separate exterior containers. They are to be used for Level A or B shipments.

Classification

There are three types of consolidation insert containers. Type I is of wood cleated plywood construction and has two styles depending upon the style of pallet base used. Type II is of plywood wirebound construction of the pallet base. Type III is constructed of double-wall or triple-wall fiberboard. Type III has four styles depending upon the construction features of the box.

Marking

The marking for shipment will be in accordance with MIL-STD-129.



Figure 7-5. Shrink film chamber used for heat shrinking film around palletized load.

TYPE I, WOOD CLEATED PLYWOOD CONSOLIDATION INSERT BOX (MIL-B-43666)

DESCRIPTION

These containers are wood cleated plywood boxes similar in construction to the PPP-B-601 cleated plywood boxes. They are provided with a four-way entry pallet base (fig 7-6).

USE

These boxes may carry Type 1, 2, or 3 loads not exceeding a density of 37 pounds per cubic foot. Loads exceeding this density require additional box reinforcement. They may be used for domestic and overseas shipments. They are intended for consolidation of like and unlike stock numbered items. These containers may be used as inserts in SEAVANs or MILVANs

SIZE AND WEIGHT LIMITATIONS

There are 15 sizes available in the wood cleated plywood consolidation insert containers. The outside length ranges from 29 to 86 inches. The outside width ranges from 31 3/4 to 45 inches. The outside height ranges from 20 to 52 1/2 inches. For MILVAN shipments, the overall height shall be not more than 41 inches. The weight capacity for the various sizes ranges from 1,000 to 2,600 pounds. Table I and II of MIL-B-43666 specifies the length, width, height, and weight combinations for each of the 15 sizes.

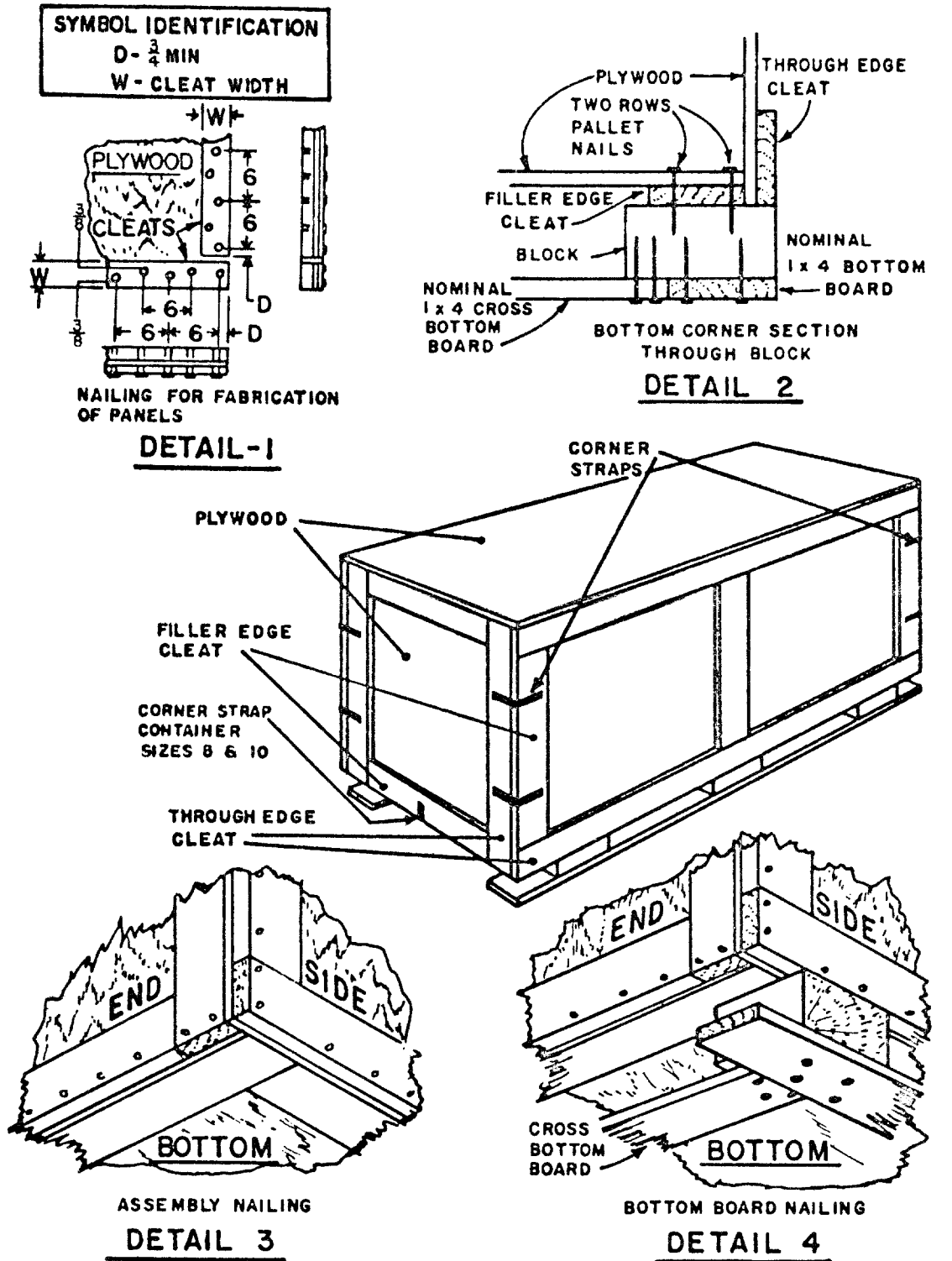
CLOSURE

Nail the top to the top cleats of the sides and ends using sixpenny cement-coated, chemically etched, or mechanically deformed nails spaced three inches apart. Do not drive the nails into the end grain of the vertical cleats.

STRAPPING REQUIREMENTS

Each vertical corner shall be reinforced with two 8-inch pieces of 3/4-inch flat steel strapping 0.023 inches thick. The strapping will be attached to the cleats with pneumatically driven galvanized staples 7/16 inches long or with 1-inch long nails pneumatically driven. As an alternate, 3/4-inch wide flat, nail-on strapping, 0.025 or 0.028-inch in thickness, may be used. This strapping, which is perforated with holes spaced 1/2 to 1 3/4 inches apart, may be secured with large headed galvanized roofing nails, zinc coated steel roofing nails, or 1-inch mechanically driven nails. Each strap will be secured with four fasteners. Two will be driven into the through cleat on the end of the box and two will be driven into the filler cleat on the side of the box.

- On boxes 41 inches high, strapping will be placed 13 to 26 inches from the top of the box.
- On boxes 20 inches high, strapping will be placed 2 and 15 inches from the top of the box.
- On box sizes 5 and 10, which are 43 inches wide, an additional strap shall be placed to the center of each corner formed by the bottom and end panels.



SMPT 2203B

Figure 7-6. Type I, Style I, wood cleated plywood consolidation box (MIL-B-43666).

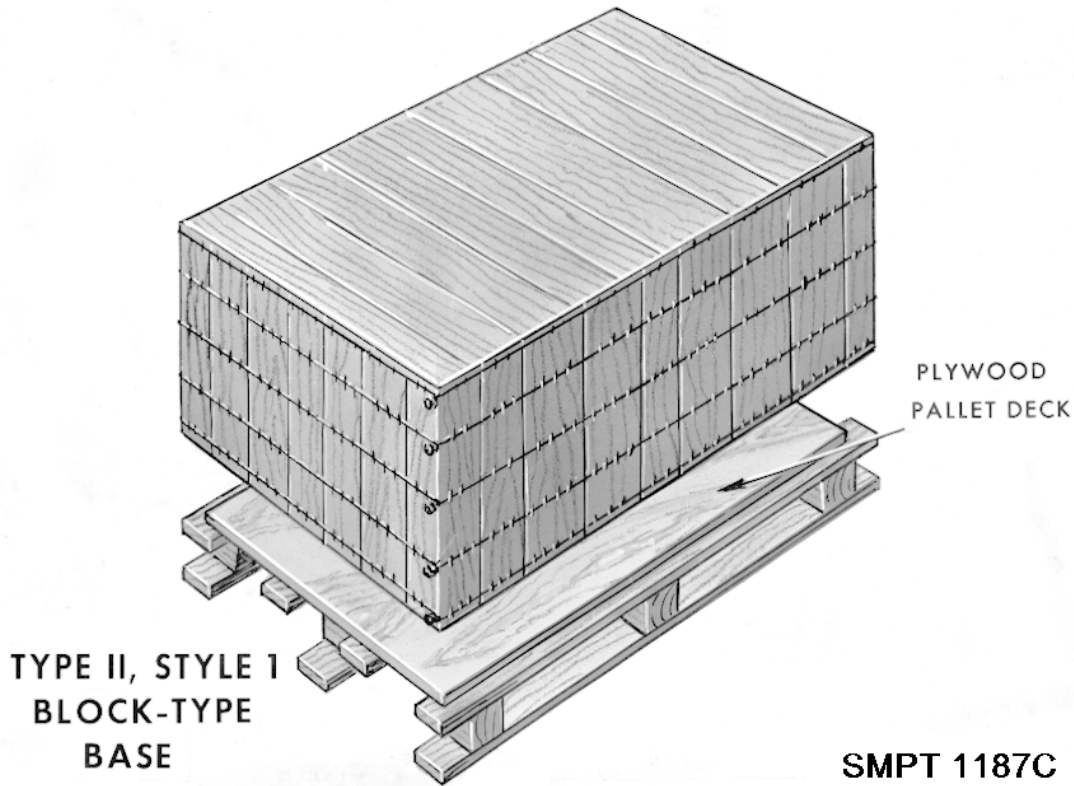
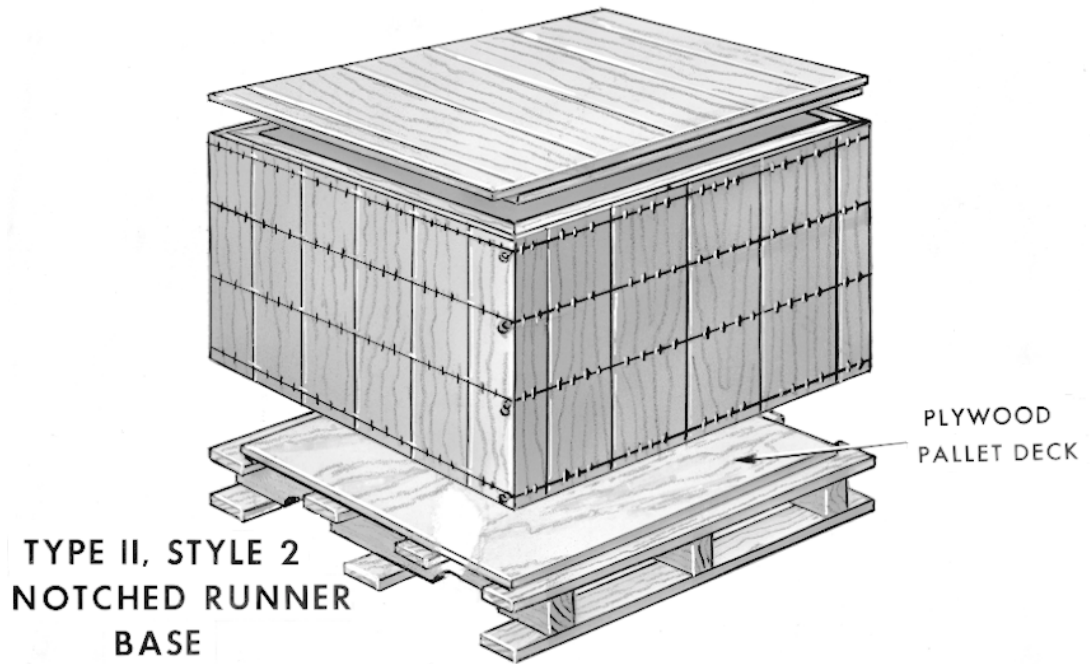


Figure 7-7. Type II, plywood wirebound consolidation boxes (MIL-B-43666).

TYPE II, PLYWOOD WIREBOUND CONSOLIDATION INSERT BOX (MIL-B-43666)

DESCRIPTION

The body and top of these boxes are constructed of plywood panels bound together with binding wires. The bottom panel is fabricated from 1/2-inch plywood which is secured to either a skid base or a pallet base (fig 7-7).

USE

The use of Type II plywood wirebound boxes is the same as Type I wood cleated plywood boxes.

CLASSIFICATION

There are two styles of boxes available under the Type II classification:

- Style 1 box utilizes a double-wing, block-type pallet base (fig 7-6).
- Style 2 box utilizes a skid base having three lengthwise skids which are cut out to facilitate side entry by forklift trucks.

Size and Weight Limitations

There are several sizes available in the plywood wirebound consolidation containers. The range of outside dimensions and weight limitations are the same as those specified for the Type I, cleated plywood boxes. Tables I, and II, of MIL-B-43666 specify the length, width, and height combinations for each of the sizes.

CLOSURE

After the box body is assembled by securing the wire loops with a sallee closure hand tool, or similar suitable alternate tool, and nailed to the base, make the closure by nailing the plywood top to the top cleats with threepenny nails. Space the nails 4 1/2 inches apart. Complete the closure by applying lengthwise and girthwise straps.

STRAPPING REQUIREMENTS

Requirements for the size, number, and location of straps vary for each style and size of Type II containers. Consult the Appendix of MIL-B-43666 for detailed requirements for reinforcing the particular plywood wirebound container being used.

TYPE III, FIBERBOARD CONSOLIDATION INSERT BOX (MIL-B-43666)

Description

These boxes are made of double-wall or triple-wall fiberboard. The box design and construction differs for each of the four designated styles. Unless otherwise specified, they are furnished with a pallet base.

USE

Type III fiberboard insert boxes should be restricted to MILVAN, or SEAVAN when used for level A overseas shipments. They may be used as shipping containers for Level B overseas shipments and as domestic consolidation containers. Style 3 should be used for items of assorted stock numbers to be loaded at origin as inserts only for shipment in MILVAN, and SEAVAN to a single consignee address code. Style 5 should be used for unit

loads of nonperishable subsistence as required by MIL-L-35078 and sized (in height) depending on the anticipated height of the contents.

CLASSIFICATION

There are four styles of boxes available under Type III classification:

- Style 3, regular slotted box (RSC), is the same as the alternate construction of the Style E ASTM D5168 fiberboard box with a 1 1/2-inch overlap of the outer flaps (fig 7-8). The box may be furnished with or without a pallet base. When a pallet base is used, it may be either a double-wing block-type or double-wing notched runner-type.
- Style 4 half slotted container (HSC) with telescoping sleeve and cap, consists of a half slotted container bottom section without top flaps, a sleeve (with stiffening flaps) which fits over the bottom section, and a top cap which extends down six inches over the sleeve (fig 7-8). The requirements for the pallet base are the same as for Style 1.

Style 5 flanged bottom tube with cap, pad, and pallet, consists of a fiberboard tube with 4-inch bottom flanges, a bottom pad, and a top cap which fits down over the body tube (fig 7-8). This type is furnished with a stringer type pallet base. Style 6, half slotted container (HSC) with cap and pallet base, consists of a body having a regular slotted bottom and a flanged top, and a top cap (fig 7-9). Unless otherwise specified, it is furnished with a pallet base.

CONSOLIDATION BOXES (MIL-B-43666)

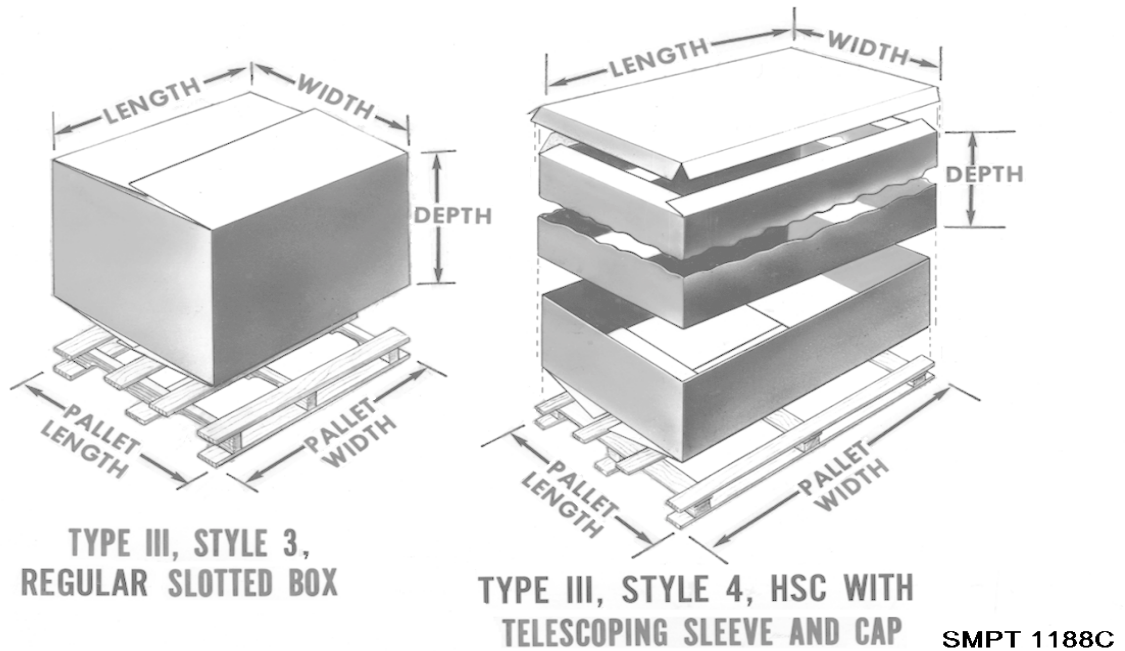


Figure 7-8. Type III, styles 3 and 4, fiberboard consolidation boxes (MIL-B-43666).

SIZE AND WEIGHT LIMITATIONS

There are several sizes available in the fiberboard consolidation containers, depending upon the styles. The outside length ranges from 29 to 86 inches. The outside width ranges from 31 3/4 to 42 inches. The outside height ranges from 20 to 52 1/8 inches. The weight limit ranges from 1,500 to 2,600 pounds. Style 3 is available in sizes 1 through 10; Style 4 is available in sizes 23 and 24; Style 5 is available in sizes 16, 17, 18, and 24; and Style 6 is available in sizes 14 and 15. Tables I and II of MIL-B-43666 must be consulted for the various length, width, height, and weight combinations of each of the sizes specified for Type III boxes.

CLOSURE

The closure requirements vary for each style of box. Type III boxes are constructed in accordance with Specifications ASTM D5168 and MIL-B-43666. The boxes are closed in accordance with the Appendix of the applicable specification.

STRAPPING REQUIREMENTS

Either metal or nonmetallic strapping may be used to reinforce Type III boxes. Requirements for the size, number, and location of straps vary for each style and size of box. Consult the Appendix of MIL-B-43666 for the detailed requirements for reinforcing the particular style and size of fiberboard consolidation box being used.

PACKING CONSOLIDATION CONTAINER

PROBLEMS INVOLVED IN CONSOLIDATION

The main problem involved in consolidation of materials becomes one of shock mitigation. The packer must be skilled in placing packages in the container so that each package "wedges in" other packages. The packer must be able to block or brace the load as he progresses, in a minimum of time and with the cheapest and lightest material, yet strong enough to do the job. Essentially, the problem becomes one of converting a type 3 load to a type 2 load for protection against shock and vibration.

SHOCK MITIGATION

In order to meet the problem of shock mitigation relative to consolidation containers, there are certain basic procedures to follow:

- Try to maintain level layers.
- Fill all internal voids as the load progresses.
- Keep the center of gravity low and centered by placing heavy items in the bottom portion of the container and centering them in the container as much as possible.
- Block and brace the interior load adequately to prevent movement caused by shock and vibration.

BLOCKING AND BRACING THE LOAD

The ideal conditions for full utilization of consolidation containers is to tailor a container to the size of uniform interior packages. Of course, the required consolidation containers are generally of standard dimension and are not related to product package sizes.

These ideal conditions are not always present at the depot or base level, but with a variety of package sizes to place in consolidation containers most of the available space can be utilized in some instances.

Voids that occur at the top of the pack are probably the most usual (fig 7-10). In order to provide holddown media for the load, first cover the packs with pad(s) and then place cells between the pads and the container cover. The use of adhesives will hold the cells between the pads and the container cover. Cells should be located where strapping will be placed. Where feasible, the corners of the container may be split down to the top of the load and the excess portion of each side panel, above the top of the load, may be folded in, thus eliminating the need for cells.

Voids that occur at the sides of the pack can be blocked with pads and cells, the same as top blocking and bracing (fig 7-11).

Interior voids (fig 7-12) are the hardest to cope with and the most time-consuming. All voids that would permit shifting of the packages should be filled with cells or foamed-in-place materials as the layers progress. If the packages are uniform, one sleeve may fill the void for several layers or packages.

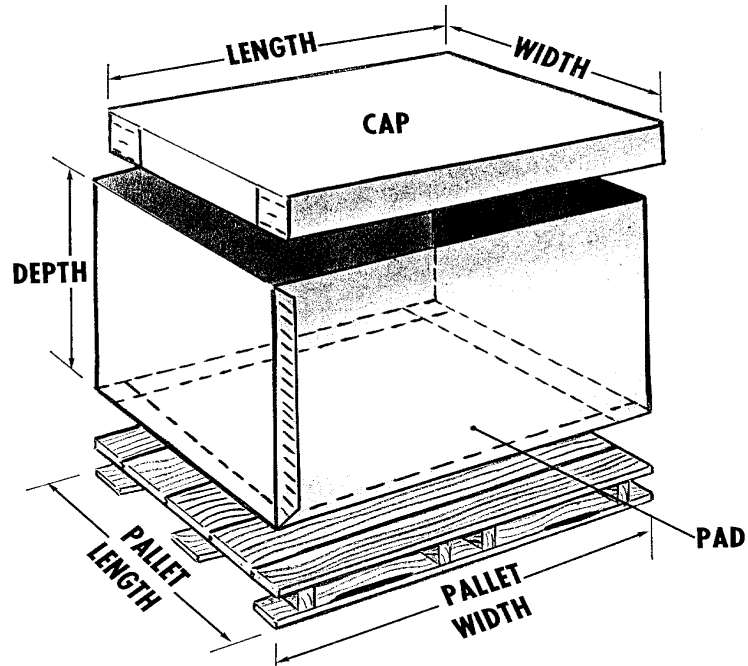
Compound voids (top and side, two sides, etc. may take a little more skill, but pads and cells can be used to block and brace the same as previously discussed.

PACKING SEMI-PERISHABLE SUBSISTENCE ITEMS

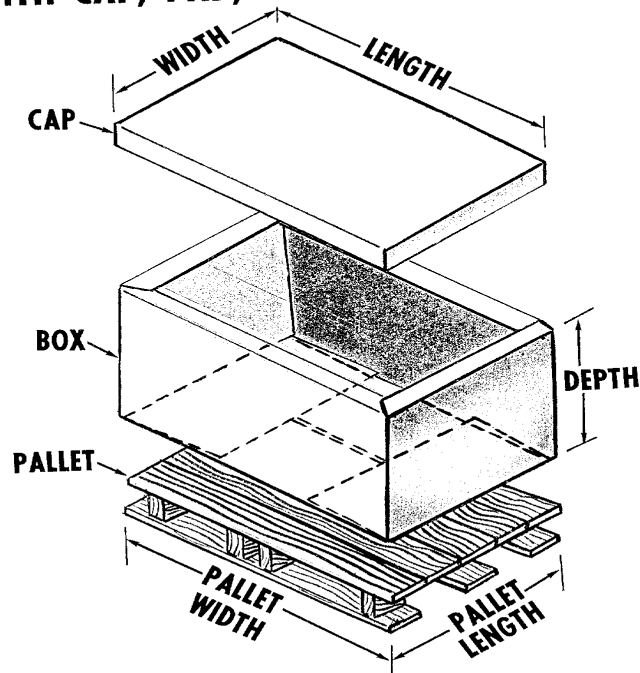
Unit loads of semi-perishable items shall be prepared in conformance with MIL-L-35078, Loads, Unit: Preparation of Semi-perishable Subsistence Items: Clothing, Personal Equipment, Equipage; General specification. This specification establishes patterns, methods, materials, and techniques applicable to the preparation of unit loads of nonperishable subsistence items by loading the shipping containers onto a pallet or within a consolidation container for shipment. The choice of unit load type and class based upon the level of protection provided can be determined from paragraph 6.1 of MIL-L-35078. Detailed specification sheets, MIL-L-35078/1 through MIL-L-35078/7, provide the requirements for each unit load type and class. The types and classes of unit loads are shown in table 7-1.

Table 7-1. Classification of unit loads of semiperishable subsistence items (MIL-P-35078)

Types	Classes
I - Palletized unit load.....	A - Strapped or film bonded. B - Capped and strapped. C - Sheathed, capped and strapped. D - Shrouded, sheathed, capped and strapped.
II - Containerized unit load.....	E - Capped and strapped fiberboard box. F - Wood cleated or wirebound, strapped plywood box.
III - Commercial load base.....	G - Palletized. H - Load base.



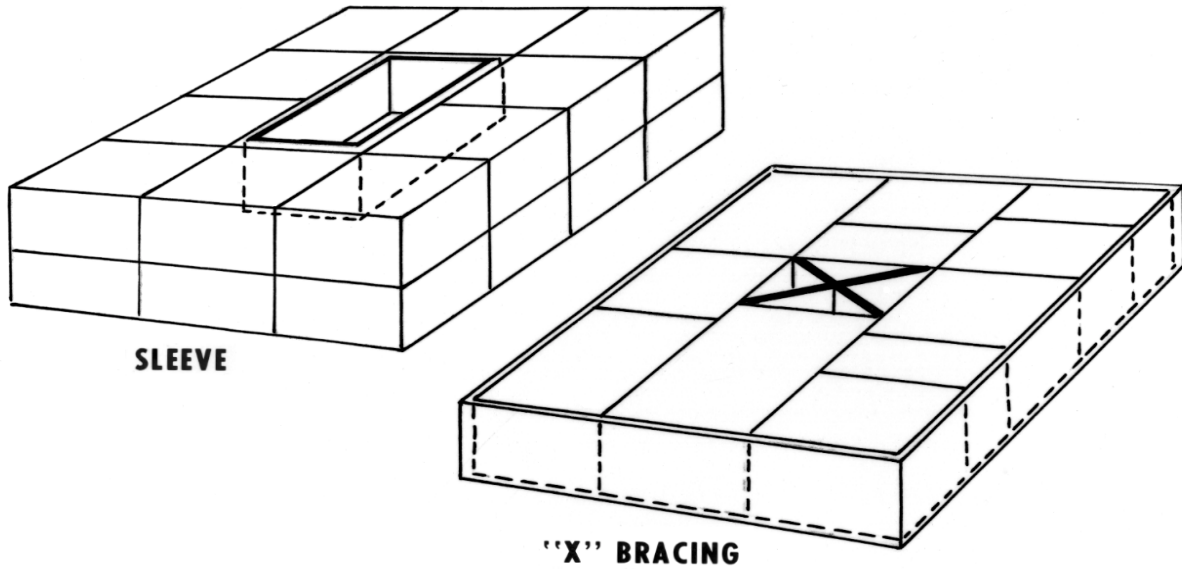
TYPE III, STYLE 5, FLANGED BOTTOM TUBE WITH CAP, PAD, AND PALLET



TYPE III, STYLE 6, HALF SLOTTED CONTAINER WITH CAP AND PALLET BASE

SMPT 1879C

Figure 7-9. Blocking and bracing top voids.



SMPT 925

Figure 7-10. Sleeve and X bracing.

CARGO CONTAINERS (GENERAL)

DEFINITIONS

The following definitions apply:

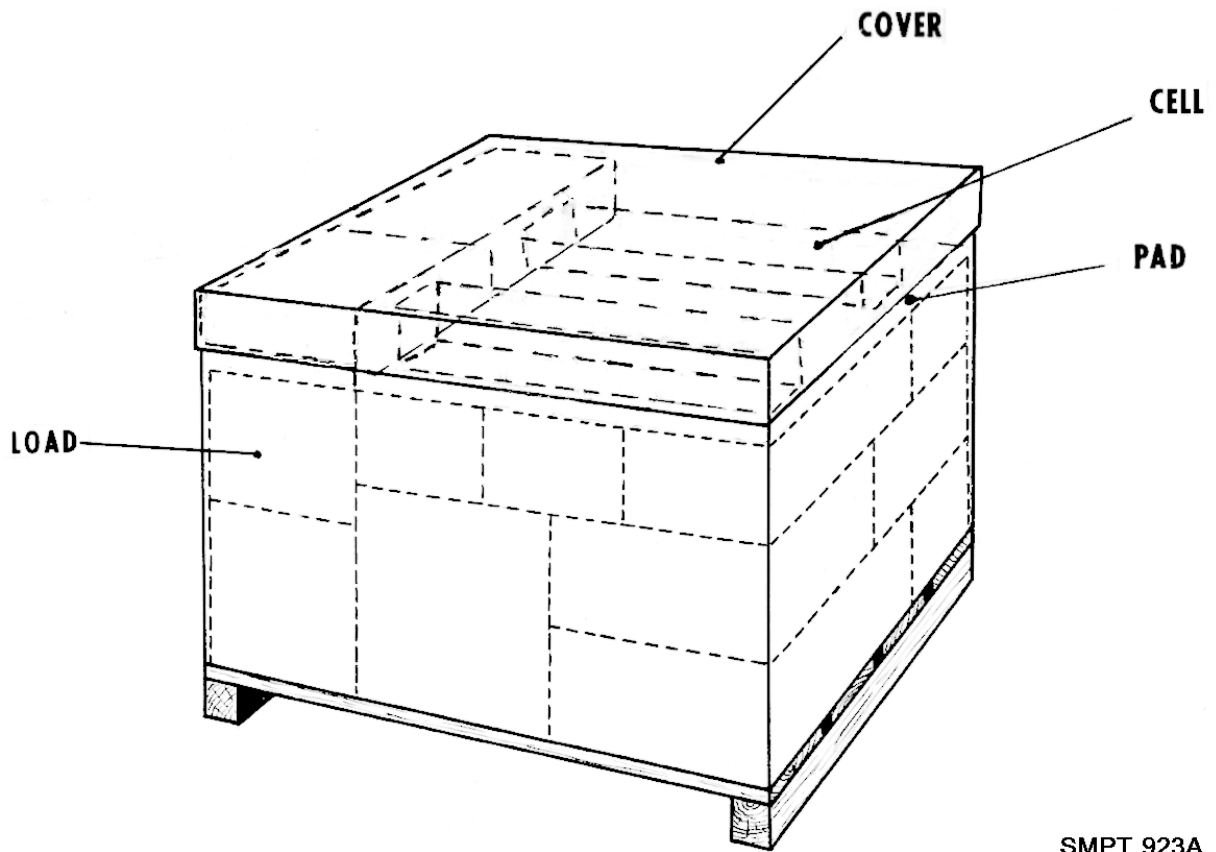
Transporter - A cargo container is a large shipping container in which packed or unpacked material is placed for movement to a break-bulk point or to an ultimate consignee.

MILVAN - The MILVAN is a Government-owned or leased noncollapsible, reusable cargo container capable of being coupled to another container of like description. It can be lifted by top or bottom corner fittings; can be used either singly or coupled together; and can be carried by highway, rail or water modes of transportation.

SEAVAN - A SEAVAN is a privately-owned container of various sizes and configurations which may be leased to the Government for the consolidation movement of material by highway, rail or water modes of transportation.

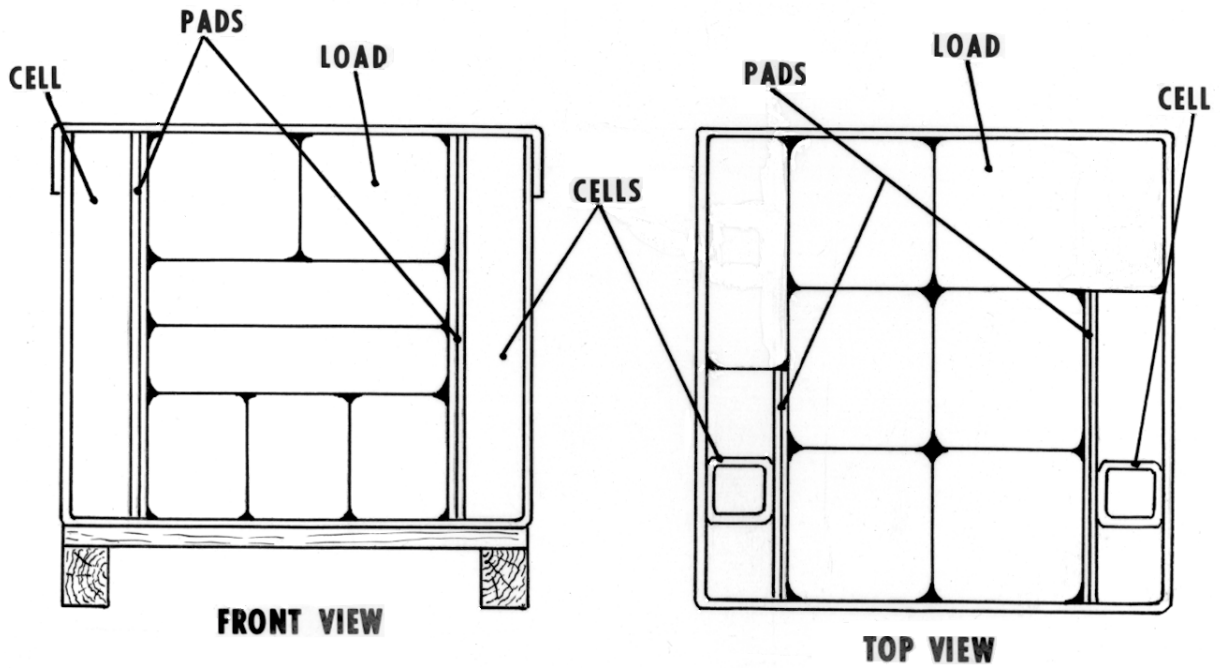
Note - Cargo that is hard to handle in closed vans, such a large, heavy or bulky items, or machinery, may be shipped in flat racks.

AIR/LAND - The M2 AIR/LAND container is a lightweight intermodal container that permits land and air freight transportation without rehandling of the contents. The container is 8 feet in height, 8 feet in width, and 20 feet in length. They have a gross weight capacity of approximately 45,000 pounds. The container and its contents must not exceed the structural limitations of the transporting aircraft.



SMPT 923A

Figure 7-11. Blocking and bracing side voids.



SMPT 924B

Figure 7-12. Blocking and bracing interior voids

Stuffing - The term "stuffing", as related to cargo containers, means the placing of cargo into cargo containers as distinguished from the process of loading containers on board ship. See MTMC Pamphlet No. 55-2 "Management and Stuffing of Containers".

PURPOSE AND ADVANTAGES OF LARGE CONTAINERS

Purpose

The purpose of cargo containers reduce the number of miscellaneous small package shipments to unit loads of the best possible size for the direct application of mechanical handling equipment.

Advantages

The use of mechanical handling procedures increases the speed, security, accuracy, flexibility, and economy of supply and transportation operations:

- Use of cargo containers reduces the cost of handling and rehandling many small packages.
- Loss due to damage to containers and supplies during handling and shipping is reduced.
- Loss due to pilferaging and misplacement or misrouting of individual packs is reduced.
- The consolidation of packs within cargo containers reduces the need for marking and documentation of individual packs destined for one consignee.
- Savings are realized through the elimination or reduction of heavy or expensive shipping containers.

USE OF MILVANS AND SEAVANS

DESCRIPTION OF MILVAN (MIL-C-52661)

A MILVAN has inside dimensions of 231 inches in length, 92 inches in width, and 87 inches in height. The gross weight rating for each 20-foot container is 44,800 pounds. A MILVAN can be coupled to another MILVAN container to make a single unit 40 feet in length. A MILVAN has the capability of being moved by semitrailer tractor when used in conjunction with a tandem bogie arrangement which serves as the rear wheels. When the double doors are properly closed, the MILVAN affords waterproof protection.

DESCRIPTION OF SEAVAN

SEAVANS vary from approximately 20 to 40 feet in length. The standard length utilized by the military is 40 feet. SEAVANS are 8 feet in height and 8 feet in width. They have a maximum gross weight capacity of 67,200 pounds. SEAVANS are compatible for movement by motor and rail and may be stored for shipment on specially containerized ships. They may be transported on a semitrailer chassis and are lifted easily and loaded, minus the chassis, on board by modern materials-handling equipment. There are four general types and three specialized types of SEAVANS:

Dry Cargo Container

The dry cargo container is weatherproof and is designed to protect the cargo from water. It is ideally suited for shipping items packed in domestic packs and any commodities susceptible to water damage. The dry cargo container is completely inclosed and must be loaded and unloaded by hand or forklift truck.

Dry Cargo--canvas Top Container

The canvas, or so-called "rag" top container, is similar to the dry cargo container, but has a removable canvas top. With the top removed, the cargo can be loaded and unloaded by crane as well as forklift. Canvas top containers are not 100 percent weatherproof; therefore, all items loaded in such containers must be in waterproof packs or otherwise be susceptible to water damage.

Flatrack Container

The flatrack container resembles a flatbed truck with varying styles of side bracing and corner posts and corner posts and comes in a variety of sizes. Generally, the flatrack has about two-thirds the cubic capacity of a dry cargo container, but with the same weight capacity. It is designed to carry high density and oddly shaped cargo that require little protection against the elements, although some are equipped with fabric covers. Brackets on the sides of the bed facilitate efficient tiedown or banding of heavy items to the bed of the container. Removable sides facilitate the loading and unloading by crane or forklift truck.

Reefer (Refrigerator) Container

Perishable cargo that must be refrigerated or frozen must be transported in a refer. Most of the commercial reefers have standard refrigeration units that are fuel operated for road use and electrically operated for storage or ocean transit. The standard container can refrigerate or freeze from ambient temperature to -10 degree Fahrenheit.

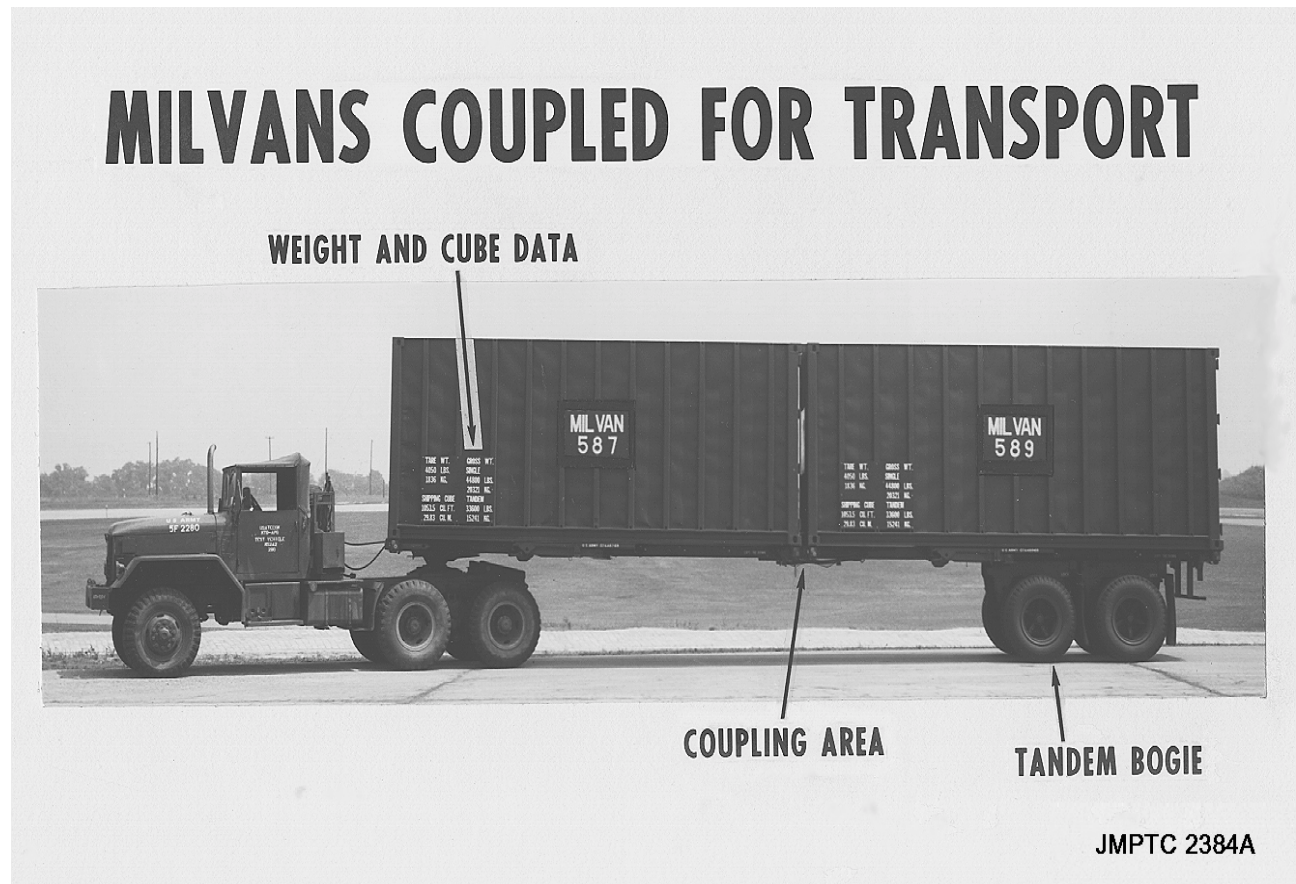


Figure 7-13 MILVAN cargo containers coupled for transport



Figure 7-14 SEAVAN loaded for highway movement

Insulated Container

This is a specialized container. It is used for cargo that should not be subjected to rapid temperature changes. It should be used when extreme changes in ambient temperatures are indicated.

Car-carrier

This specialized container is designed to carry two or four privately-owned vehicles for ocean transportation. The container which carries four vehicles is 35 feet long and has double-deck frames. Due to its additional height, the four vehicle container has one and one-half times the cube capacity of a dry cargo container.

Tank Container

This also is a specialized container. It is a small tank, inclosed in a framework, that can be used for small lot shipments of bulk liquids.

Weight Distribution

Distribute the load evenly throughout the container with heavier items on the bottom.

Cargo Must be Compatible With the Size of the Container

When the density of one commodity is not compatible with the container size, select an adequate commodity mix that will yield the best cube utilization. At least 80 percent of the cube should be used.

Weight Limitations

There are two overall transporter-weight: First, the rated capacity of MILVANs and SEAVANs; and second, the road-weight limitation imposed by the States over which the container must travel by motor vehicle.

SHIPMENT OF HAZARDOUS MATERIALS

Hazardous materials must be compatible with the remainder of the load. Do not stuff food or medical supplies in the same container as insecticides, chemical products, radioactive materials, biological materials, poisons, or toxic materials.

Do not ship noncompatible hazardous materials together.

Pack, mark, label, and placard hazardous materials in strict accordance with Department of Transportation and International Maritime Organization regulations.

The U. S. Coast Guard regulations prohibit certain explosives and other hazardous materials from being shipped in cargo containers.

GENERAL RULES FOR STUFFING MILVANS AND SEAVANS

The general rules discussed below concern the stuffing of general cargo into MILVANS and dry cargo type SEAVANS.

Place heavy items on the bottom of the load, maintaining an even distribution of weight throughout the cargo container.

When stuffing standard 43-inch high modular containers, double-tier them whenever possible. If double-tiering is not possible, top off the load with "fluff cargo" of low density. "Fluff cargo", which must be man-handled, should not exceed 200 pounds per item or pack.

Leave several inches of head space between the top of the load and the top of the cargo container so that the load can be removed easily with a forklift truck.

Pack the load as tightly as practicable. Do not wedge the load or pack it so tightly that problems will occur during unstuffing operations.

Always position palletized or skidded loads to rest on their pallets or skids. Face pallet access slots toward the doors to minimize forklift maneuvering during unstuffing operations.

Never place a heavy crate or box so that it rests on top of, and inside the four corners of the box beneath it. Place dunnage over the lower level of containers when dense loads in the upper tier may cause damage to the containers below.

Place boxes, crates, and cartons, which contain liquids that may leak, on the bottom of the load whenever practicable.

Keep drums that contain petroleum products separated from general cargo. Stow drums with their bungs on top. Pack the drums tightly. When possible, pelletize drums. When not palletized, place strips of dunnage between tiers of drums. Use lumber, burlap, fiberboard or paper, as applicable, to prevent it from shifting during transit. Use dunnage when it is available for filling spacing between large boxes or crates.

A load checker should keep a running account of the weight of individual items being stuffed to ensure the correct total net weight. Enter the overall load weight and cube on the loading list or the Transportation Control Movement Document (TCMD). Brace cargo of average or high density to prevent it from falling out when the container doors are opened.

Closing and Sealing MILVANS and SEAVANS

Place the shipping documents in the space provided on the door. Make sure that both rear doors on MILVANS and SEAVANS are closed by sliding the closure bolts into the holes provided in the body of the cargo containers. Position the door handles over the latches in the doors and attach a numbered railway car seal. MILVANS require that both door latches are provided with a seal.

Make sure that the serial numbers on the seals correspond with the numbers on the shipping documents. Thread the seals through the latches on the doors and snap the seals into the seal locking devices. Use padlocks of approved design on cargo container containing classified material. Be sure that key control measures are provided.

Marking of MILVANS and SEAVANS

Shipment units and shipment units in consolidation will be address marked in accordance with Military Standard MIL-STD-129, Standard Practice for Military Marking. The address markings for MILVANS and SEAVANS shall be accomplished by attaching a waterproofed Military Shipping Label (DD Form 1387) adjacent to the seal, if required, or at the rear of the van. Data for the label will be in conformance with DOD 4500.32R, Military Standard Transportation and Movement Procedures (MILSTAMP) and MIL-STD-129.

**FM 38-701
MCO P4030.21D
NAVSUP PUB 503
AFPAM(I) 24-209
DLAI 4145.2
1 DECEMBER 1999**

By Order of the Secretary of the Army:

Official:

**ERIC K. SHINSEKI
General, United States Army
Chief of Staff**



**JOEL B. HUDSON
Administrative Assistant to the
Secretary of the Army
9932206**

*Active Army, Army National Guard, and U. S. Army Reserve: To be distributed in accordance
With the initial distribution number 115793, requirements for FM 38-701.*

**R. B. FREDERICK
Acting, Headquarters
Complex Commandant**

**M. E. FINLEY
Captain, SC, USN
Deputy Commander
Fleet Logistics Operations
Naval Supply Systems Command**

**JOHN W. HANDY, Lt General, USAF
DCS/Installations and Logistics**

**G. B. HIGGINBOTTHAM
Major General, U.S. Marine Corps
Deputy Chief of Staff for
Installations and Logistics**

PIN: 077862-000